



US00D620583S

(12) **United States Design Patent**
Peterson et al.

(10) **Patent No.:** **US D620,583 S**

(45) **Date of Patent:** **** Jul. 27, 2010**

(54) **SET OF FAN PARTS**

(75) Inventors: **Christopher Donald Peterson**,
Arlington Heights, IL (US); **Henry
Haiying Wu**, Chicago, IL (US); **Scott W.
Jackson**, Naperville, IL (US); **Manuel
Almanza**, LaGrange Park, IL (US);
Chungkin Yee, Naperville, IL (US)

(73) Assignee: **Camair LLC**, Chicago, IL (US)

(**) Term: **14 Years**

(21) Appl. No.: **29/340,864**

(22) Filed: **Jul. 27, 2009**

(51) **LOC (9) Cl.** **23-04**

(52) **U.S. Cl.** **D23/382**

(58) **Field of Classification Search** D23/411,
D23/370, 381, 382, 332, 412, 335; 416/244 R,
416/247 R

See application file for complete search history.

(56) **References Cited**

U.S. PATENT DOCUMENTS

D407,478 S	3/1999	Wilson, Jr.	
D408,907 S *	4/1999	Moreno	D23/412
D409,298 S *	5/1999	Litvin	D23/382
D409,300 S *	5/1999	Moreno	D23/411
D413,685 S	9/1999	Lasko et al.	
D416,996 S	11/1999	Mack	

6,015,265 A	1/2000	Lasko et al.	
6,120,248 A	9/2000	Litvin et al.	
6,126,415 A *	10/2000	Lasko	417/423.15
RE39,570 E	4/2007	Perella et al.	

* cited by examiner

Primary Examiner—Lisa P Lichtenstein
(74) *Attorney, Agent, or Firm*—Fitch, Even, Tabin & Flannery

(57) **CLAIM**

The ornamental design for a set of fan parts, as shown and described.

DESCRIPTION

FIG. 1 is a perspective view of assembled set of fan parts in accordance with our new design;

FIG. 2 is a front elevational view of the set of fan parts of FIG. 1;

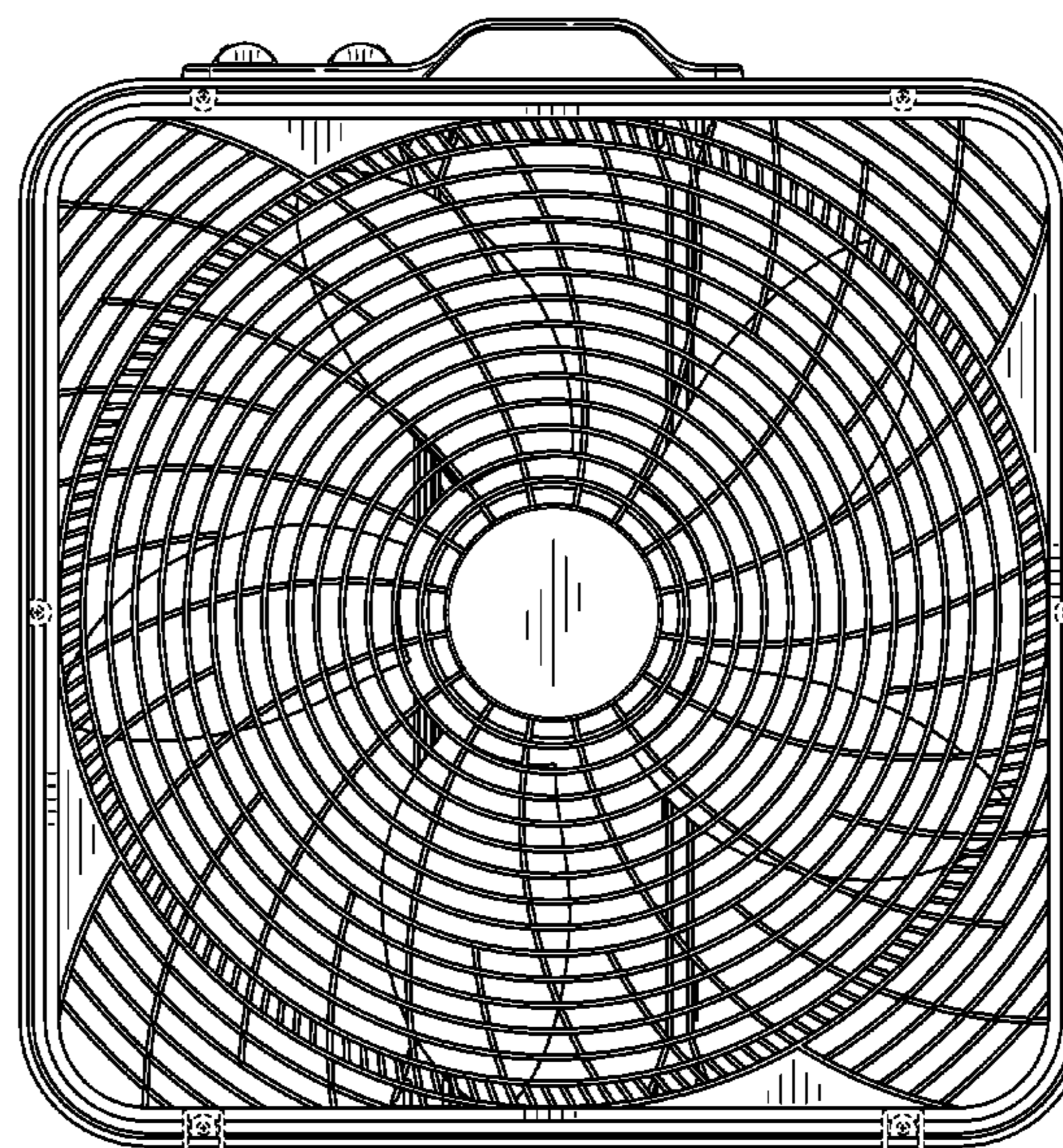
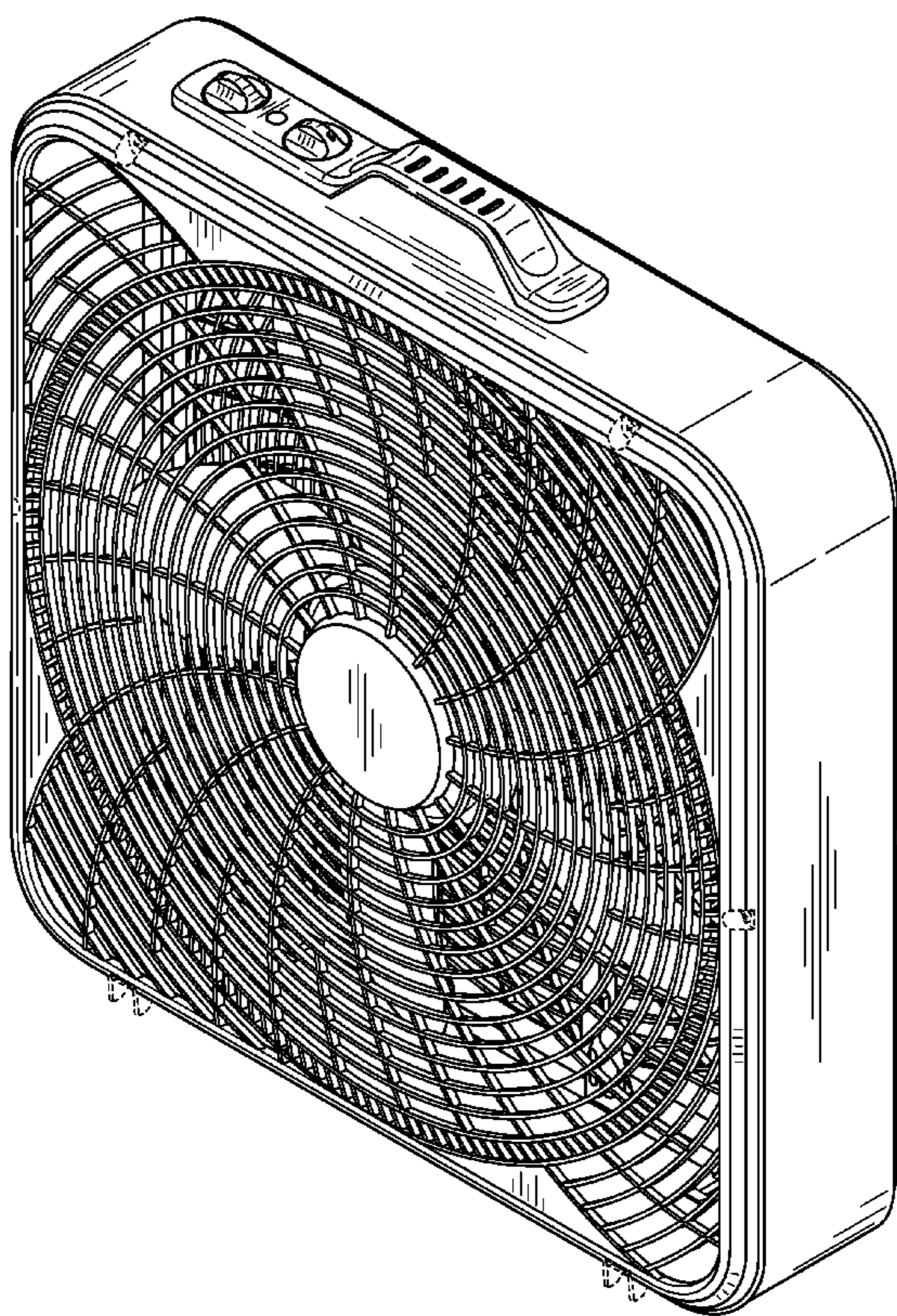
FIG. 3 is a side elevational view of the set of fan parts of FIG. 1 (opposite side is mirror image);

FIG. 4 is a rear elevational view of the set of fan parts of FIG. 1; and,

FIG. 5 is a top plan view of the set of fan parts of FIG. 1.

The broken line showing of screws and feet is included for the purpose of illustrating environmental structure and forms no part of the claimed design.

1 Claim, 4 Drawing Sheets



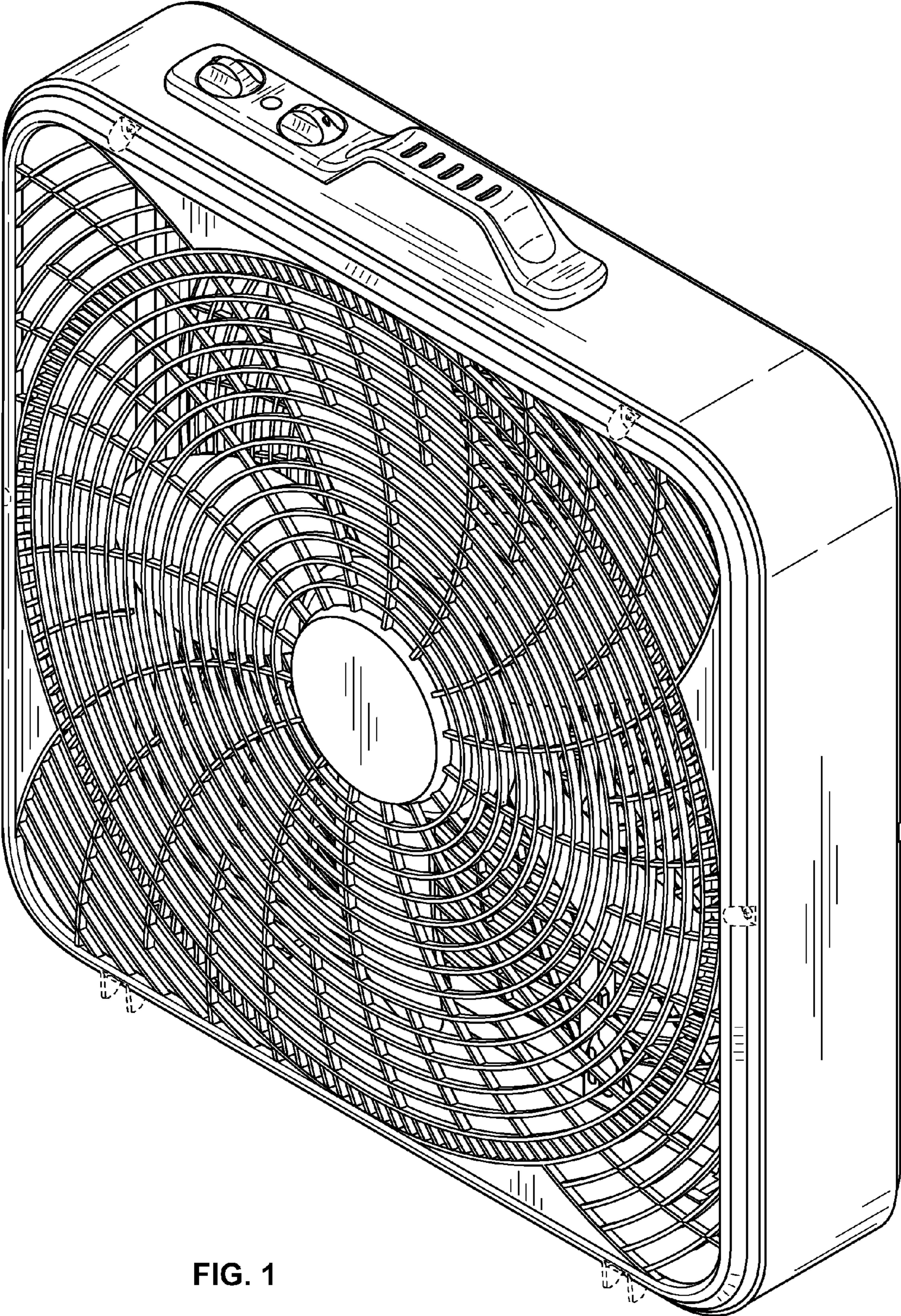


FIG. 1

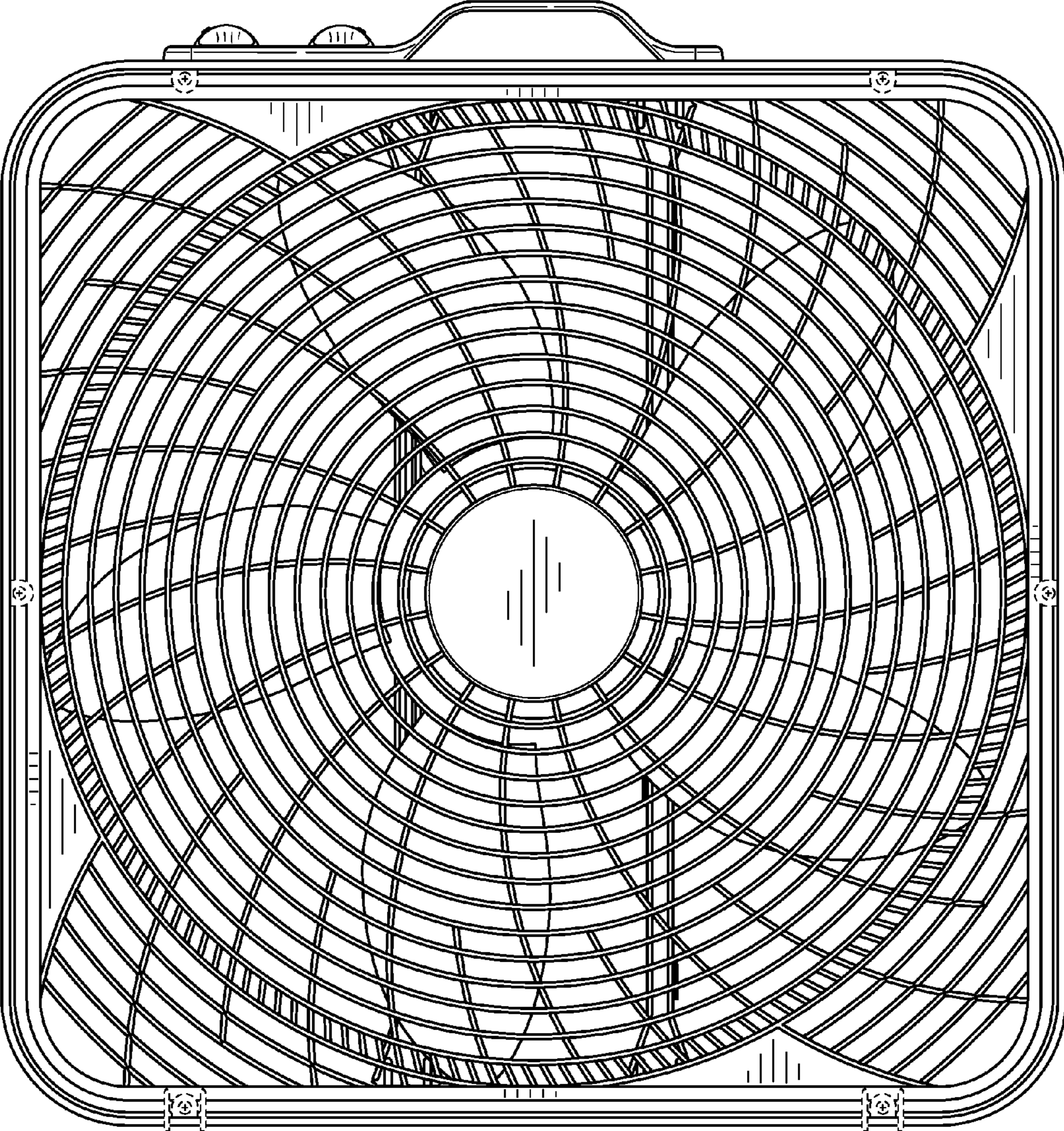


FIG. 2

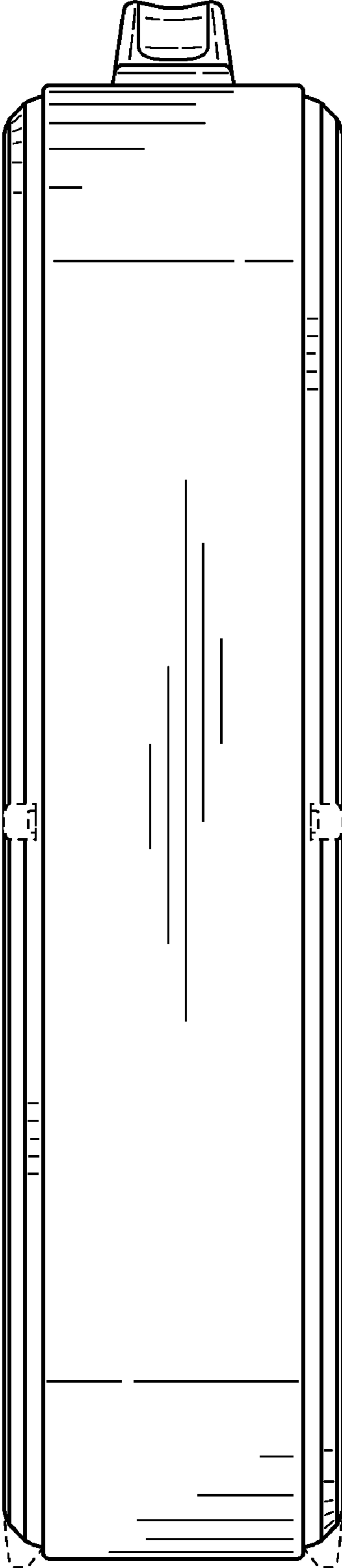


FIG. 3

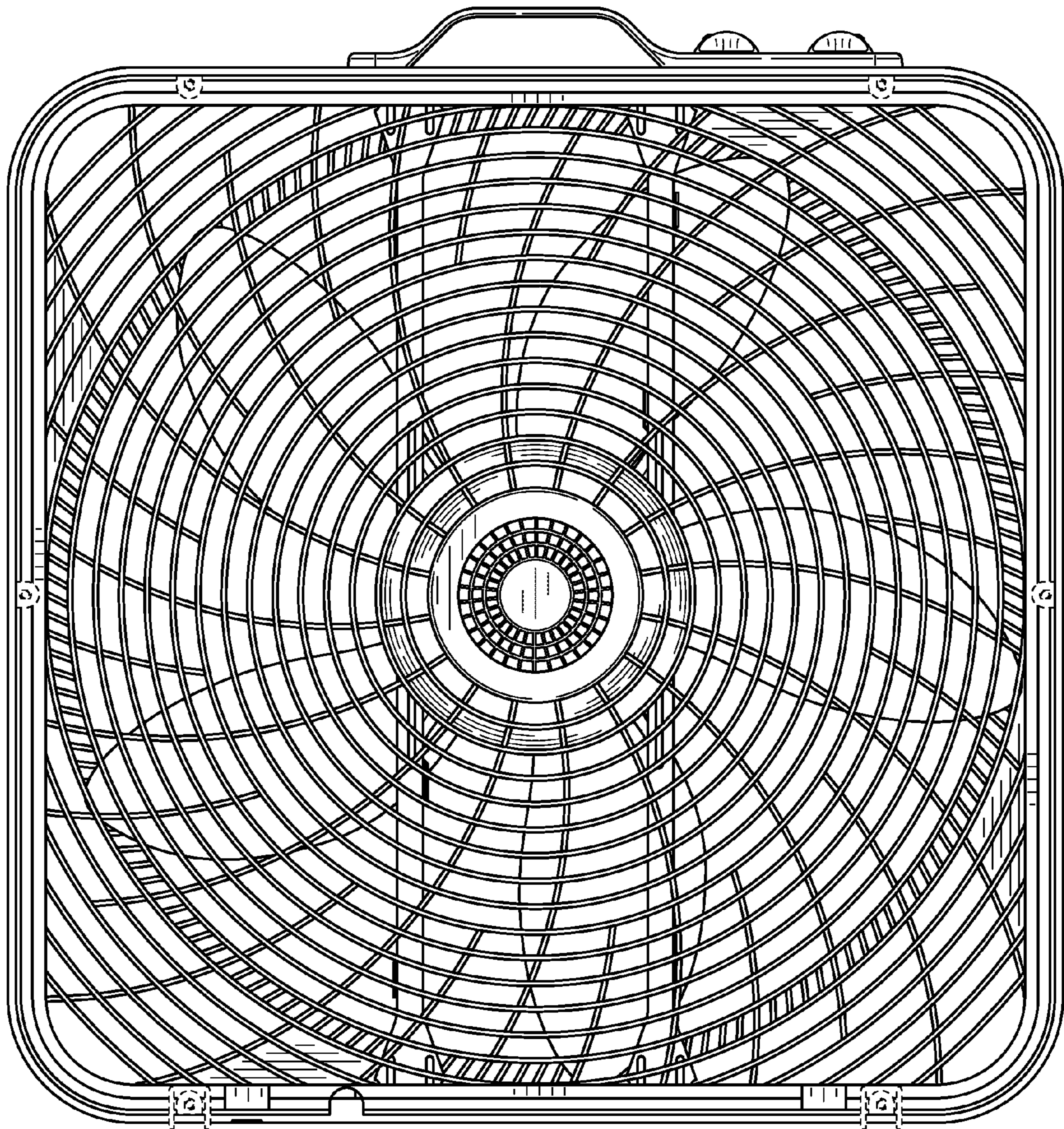


FIG. 4

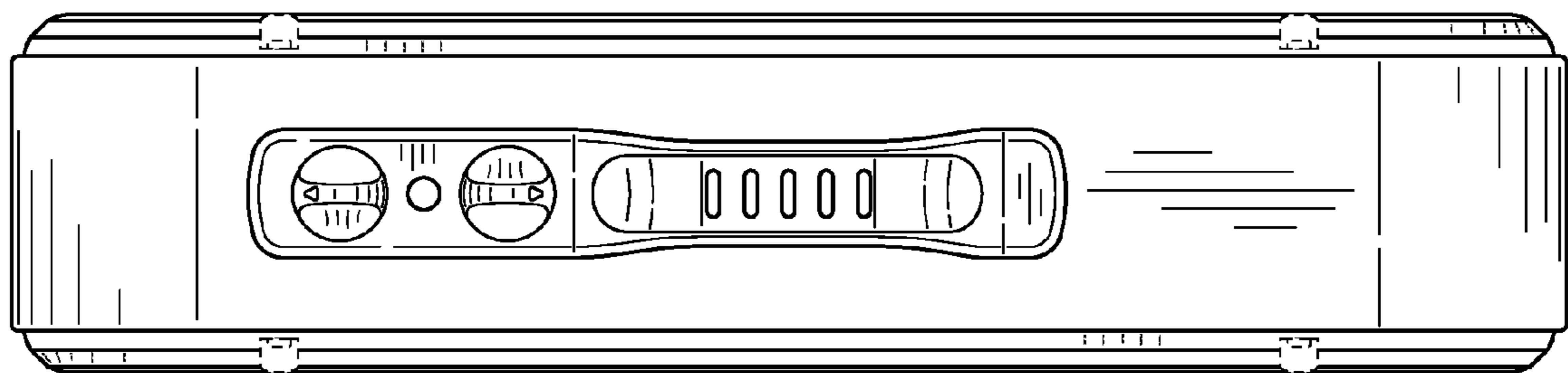


FIG. 5