



US00D620582S

(12) **United States Design Patent**
Peterson et al.

(10) **Patent No.:** **US D620,582 S**
(45) **Date of Patent:** **** Jul. 27, 2010**

(54) **SET OF FAN PARTS**

(75) Inventors: **Christopher Donald Peterson**,
Arlington Heights, IL (US); **Henry
Haiying Wu**, Chicago, IL (US); **Scott W.
Jackson**, Naperville, IL (US); **Manuel
Almanza**, LaGrange Park, IL (US);
Chungkin Yee, Naperville, IL (US)

(73) Assignee: **Camair LLC**, Chicago, IL (US)

(**) Term: **14 Years**

(21) Appl. No.: **29/340,857**

(22) Filed: **Jul. 27, 2009**

(51) **LOC (9) Cl.** **23-04**

(52) **U.S. Cl.** **D23/382**

(58) **Field of Classification Search** D23/411,
D23/370, 381, 382, 332, 412, 335; 416/244 R,
416/247 R

See application file for complete search history.

(56) **References Cited**

U.S. PATENT DOCUMENTS

D407,478 S *	3/1999	Wilson, Jr.	D23/370
D408,907 S	4/1999	Moreno		
D409,300 S	5/1999	Moreno		
6,015,265 A	1/2000	Lasko et al.		
D429,326 S *	8/2000	Fok	D23/381

6,120,248 A	9/2000	Litvin et al.
6,126,415 A	10/2000	Lasko
D451,190 S	11/2001	Chen et al.
2005/0093387 A1	5/2005	Chen et al.

* cited by examiner

Primary Examiner—Lisa P Lichtenstein

(74) *Attorney, Agent, or Firm*—Fitch, Even, Tabin & Flannery

(57) **CLAIM**

The ornamental design for a set of fan parts, as shown and described.

DESCRIPTION

FIG. 1 is a perspective view of assembled set of fan parts in accordance with our new design;

FIG. 2 is a front elevational view of the set of fan parts of FIG. 1;

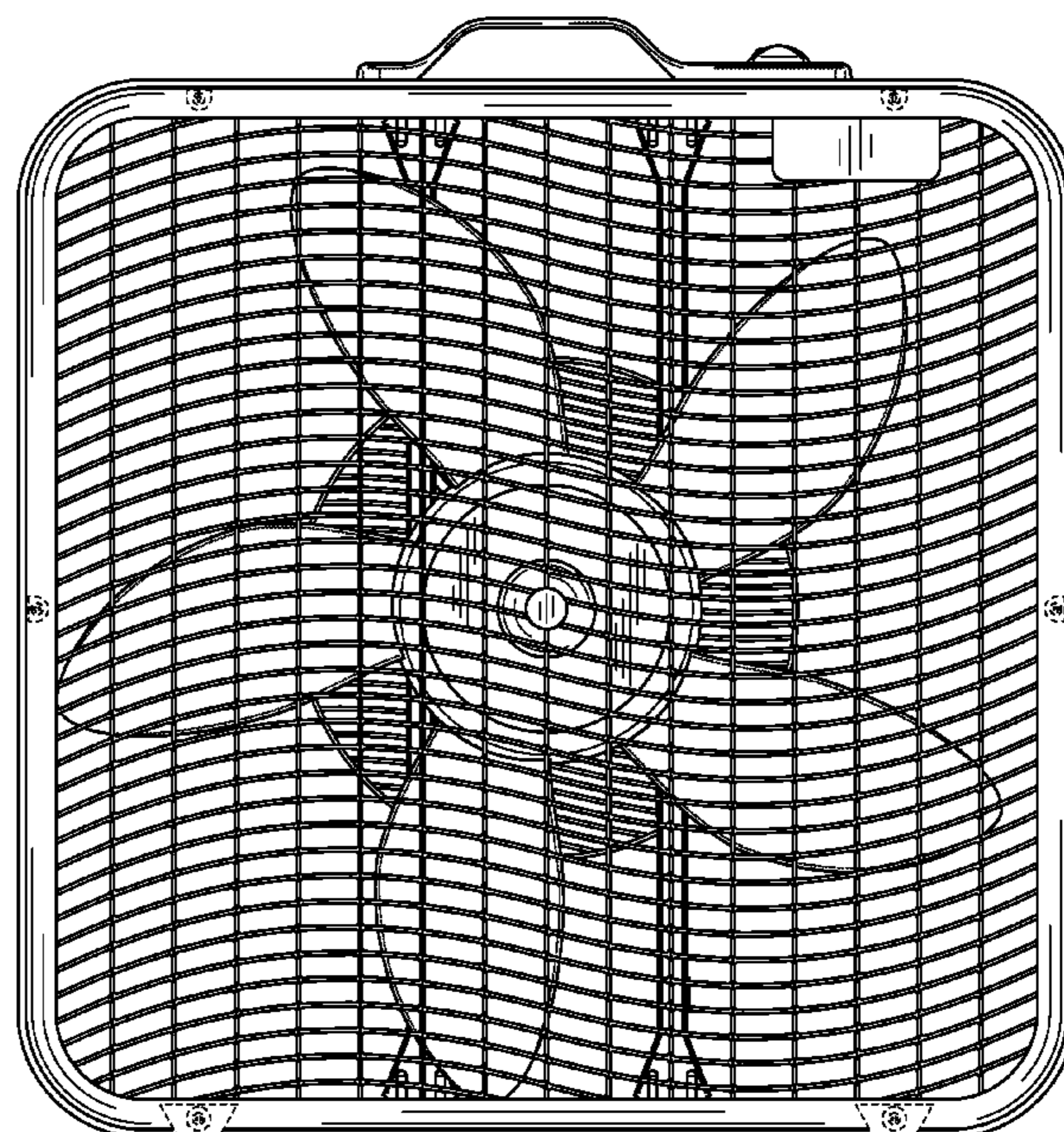
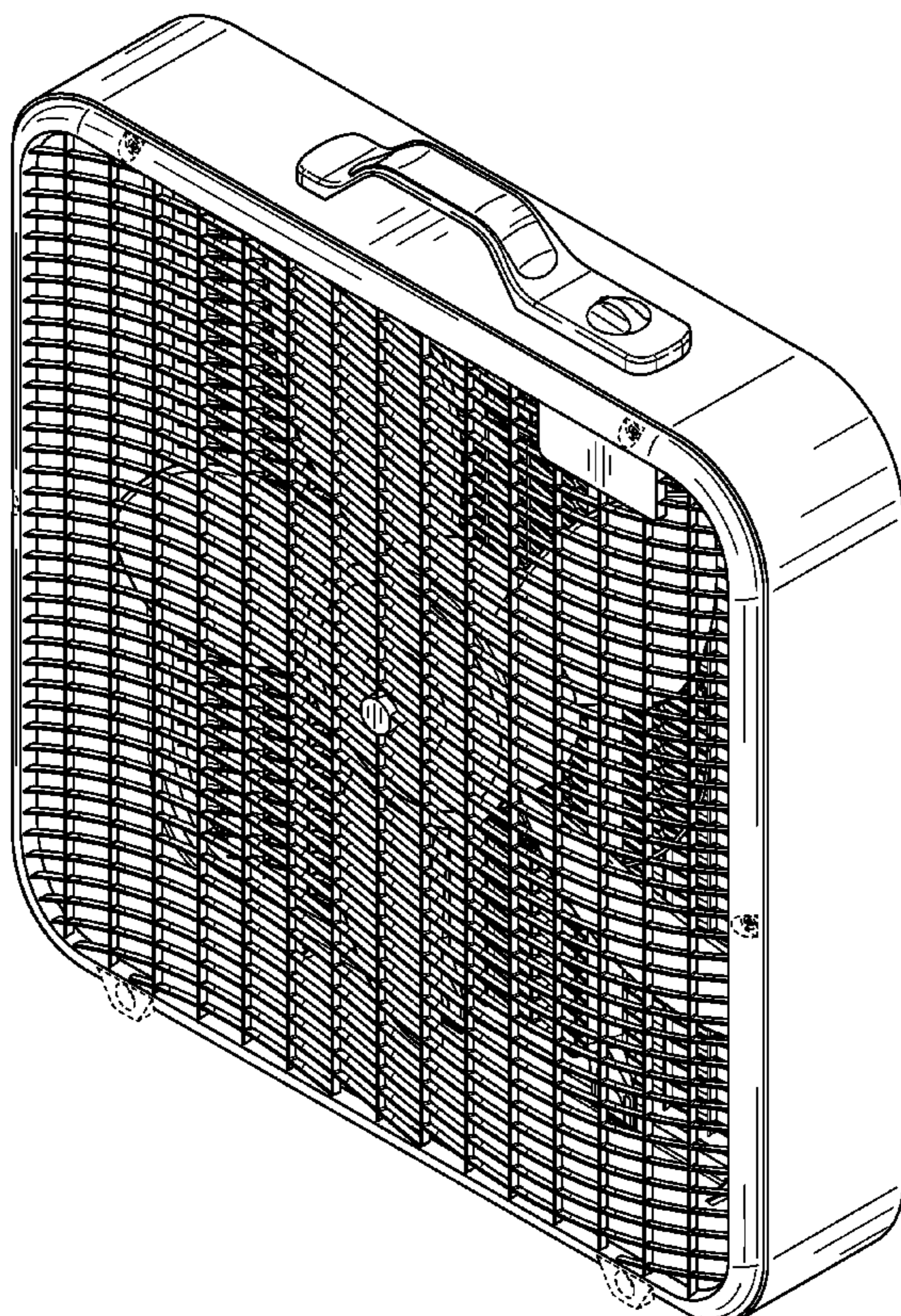
FIG. 3 is a side elevational view of the set of fan parts of FIG. 1 (opposite side is a mirror image);

FIG. 4 is a rear elevational view of the set of fan parts of FIG. 1; and,

FIG. 5 is a top plan view of the set of fan parts of FIG. 1.

The broken line showing of portions of a set of fan parts is included for the purpose of illustrating environmental structure and forms no part of the claimed design.

1 Claim, 4 Drawing Sheets



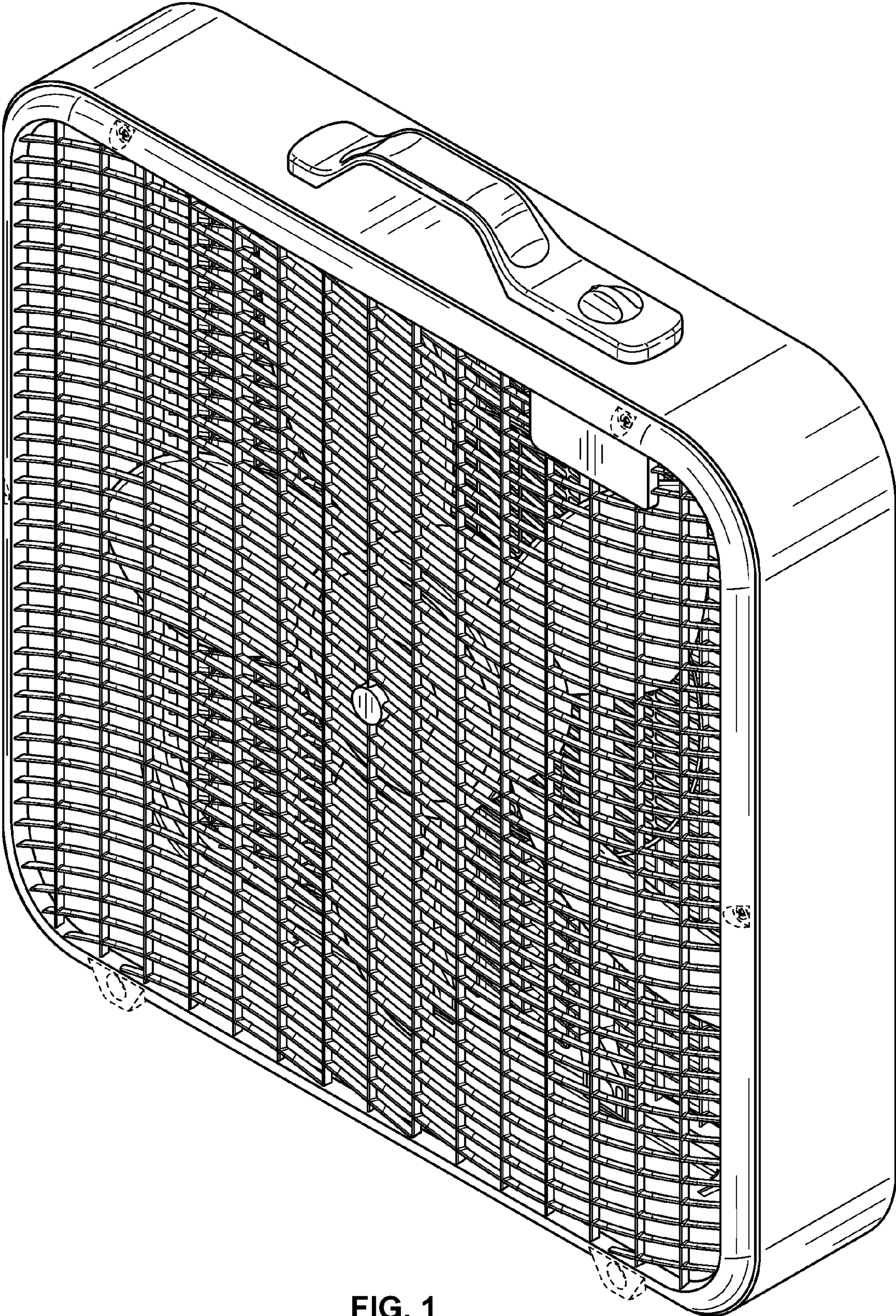


FIG. 1

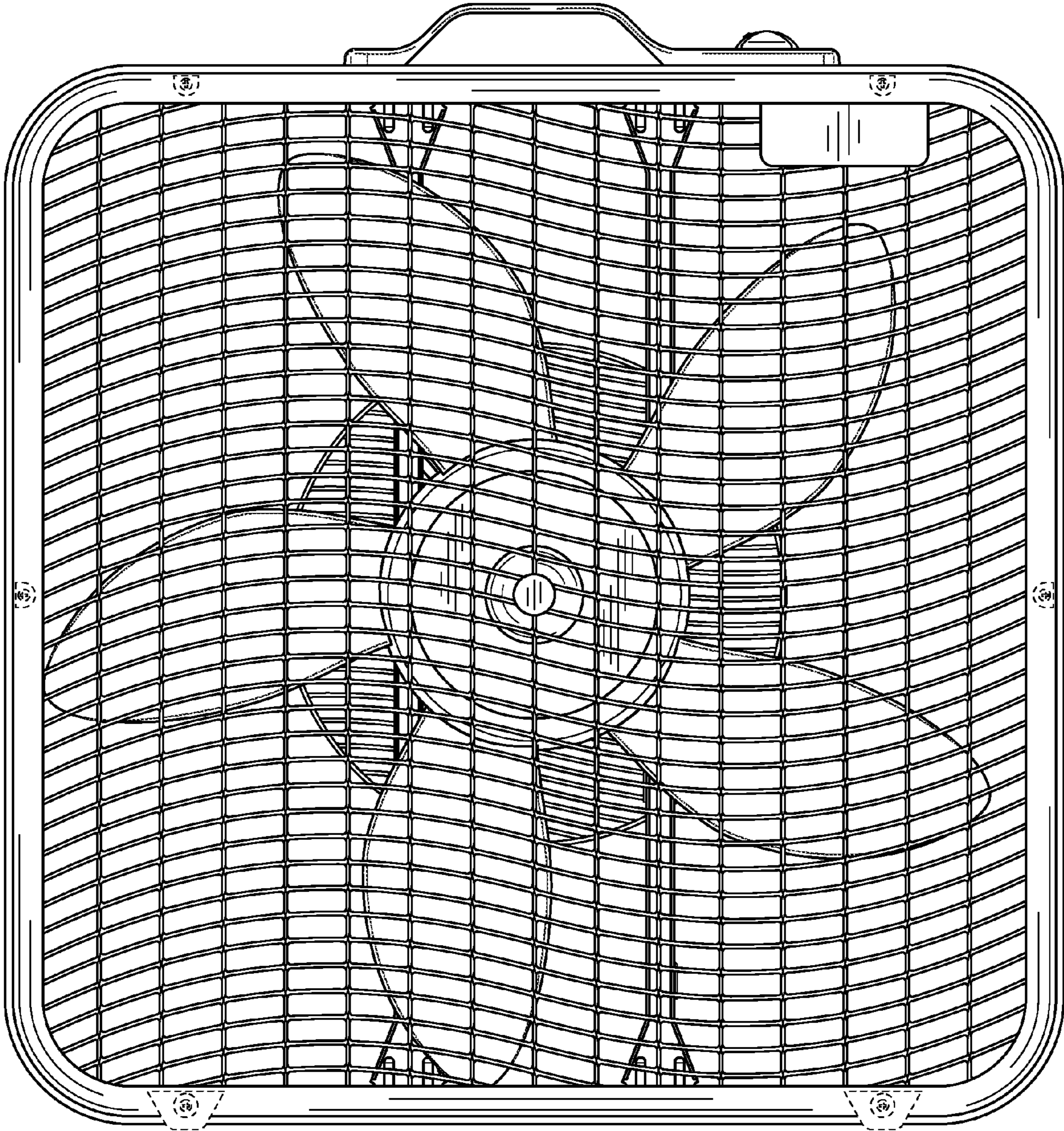


FIG. 2

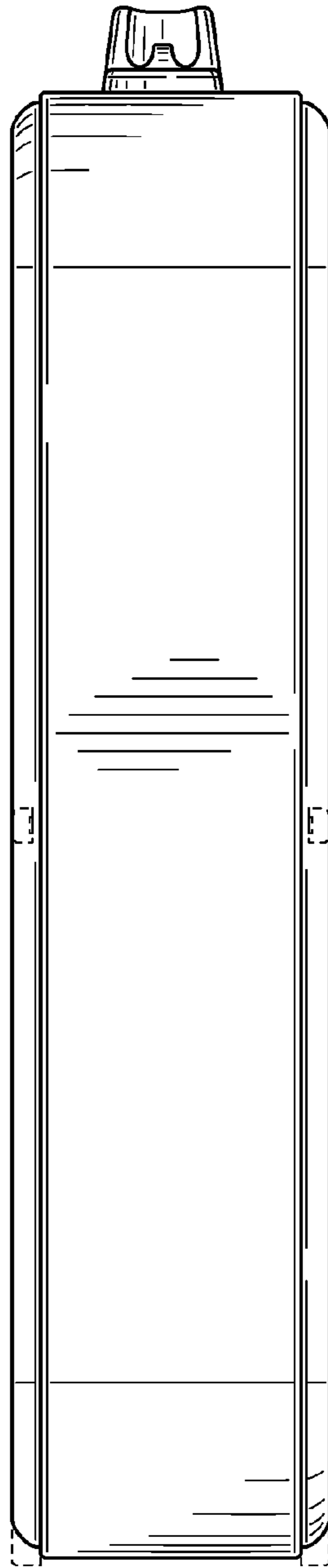


FIG. 3

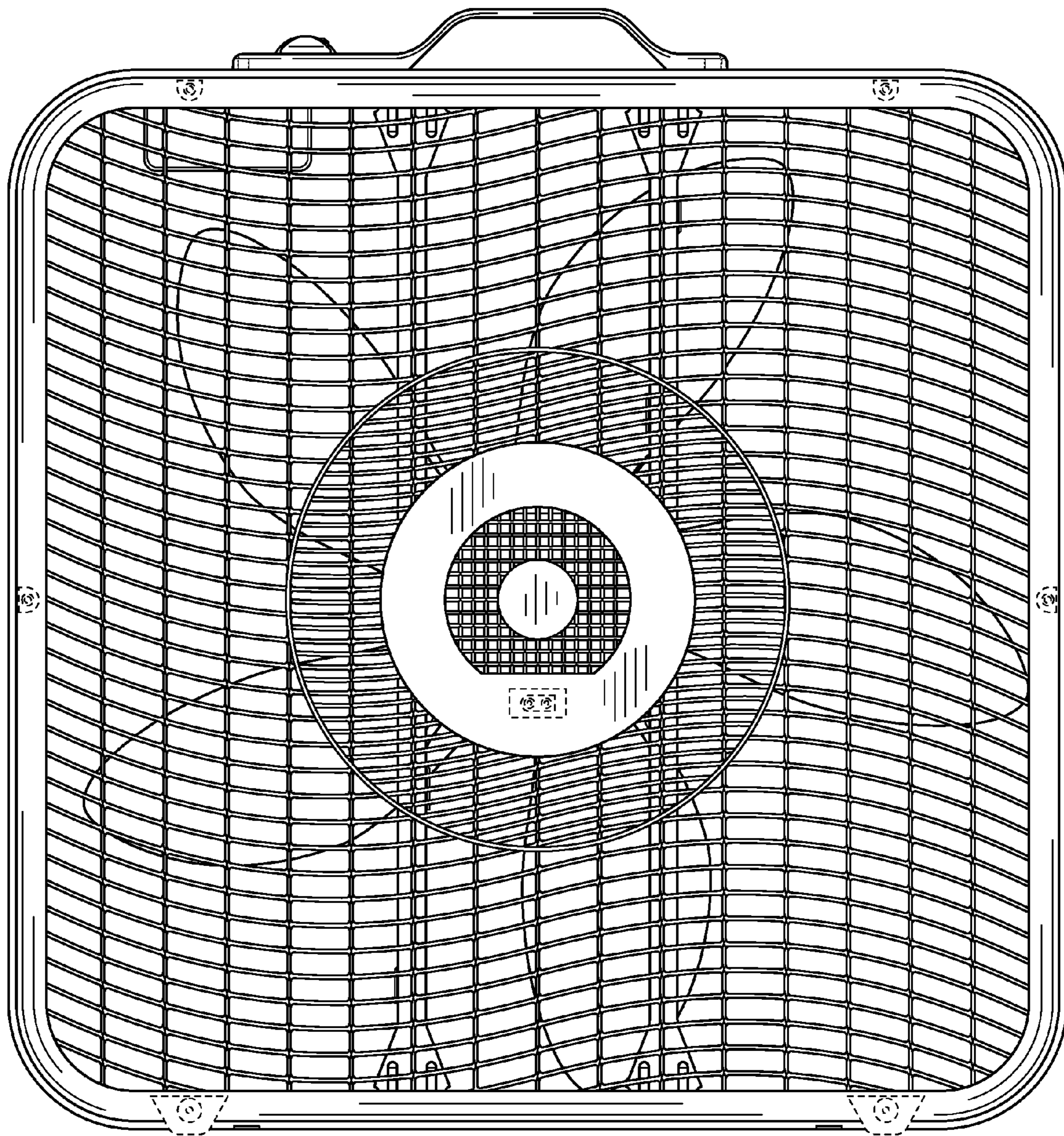


FIG. 4

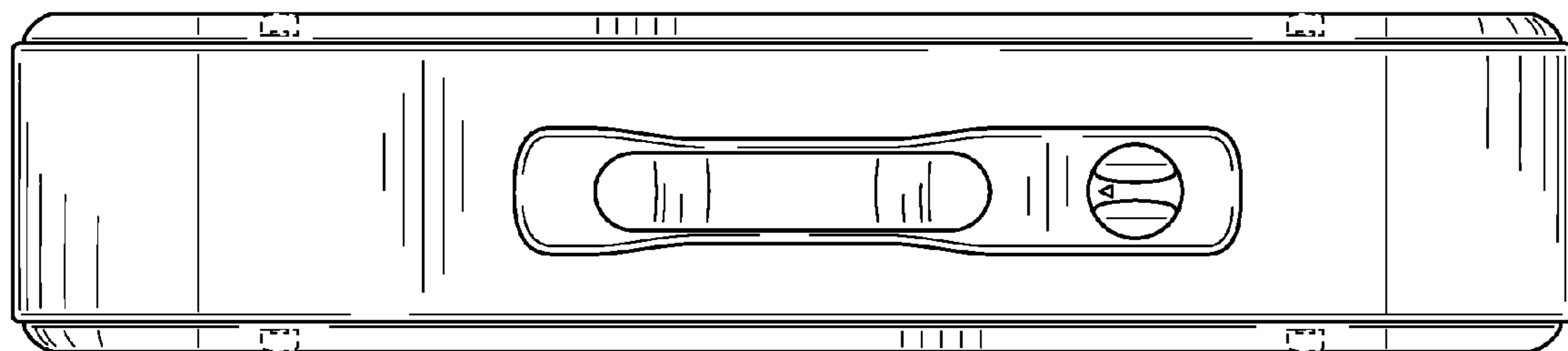


FIG. 5