



US00D620580S

(12) **United States Design Patent**
Chen

(10) **Patent No.:** **US D620,580 S**

(45) **Date of Patent:** **** Jul. 27, 2010**

(54) **CEILING FAN**

(76) Inventor: **Chia-Teh Chen**, 5F, No. 30, Yi Shien Rd., Taipei (TW)

(**) Term: **14 Years**

(21) Appl. No.: **29/355,628**

(22) Filed: **Feb. 11, 2010**

(51) **LOC (9) Cl.** **23-04**

(52) **U.S. Cl.** **D23/377**

(58) **Field of Classification Search** D23/377,
D23/379, 385, 411, 413; 416/5; D26/59,
D26/72, 81-86, 88, 51

See application file for complete search history.

(56) **References Cited**

U.S. PATENT DOCUMENTS

- D347,685 S * 6/1994 DiPasquale D23/411
- D377,084 S * 12/1996 DiPasquale D23/411
- D557,446 S * 12/2007 Hsu D26/88

* cited by examiner

Primary Examiner—Lisa P Lichtenstein

(74) *Attorney, Agent, or Firm*—Rosenberg, Klein & Lee

(57) **CLAIM**

The ornamental design for a “ceiling fan,” as shown and described.

DESCRIPTION

FIG. 1 is a perspective view of a “ceiling fan” showing my design;

FIG. 2 is a front view thereof;

FIG. 3 is a rear view thereof;

FIG. 4 is a left side view thereof;

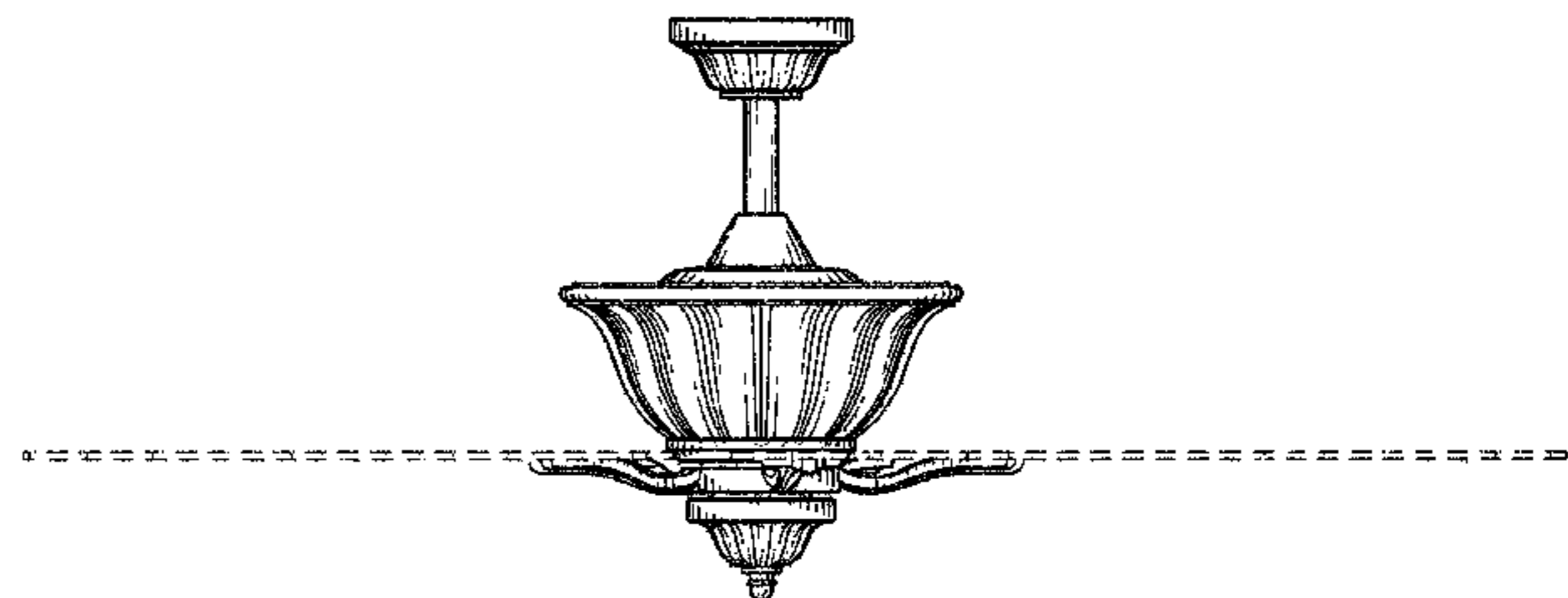
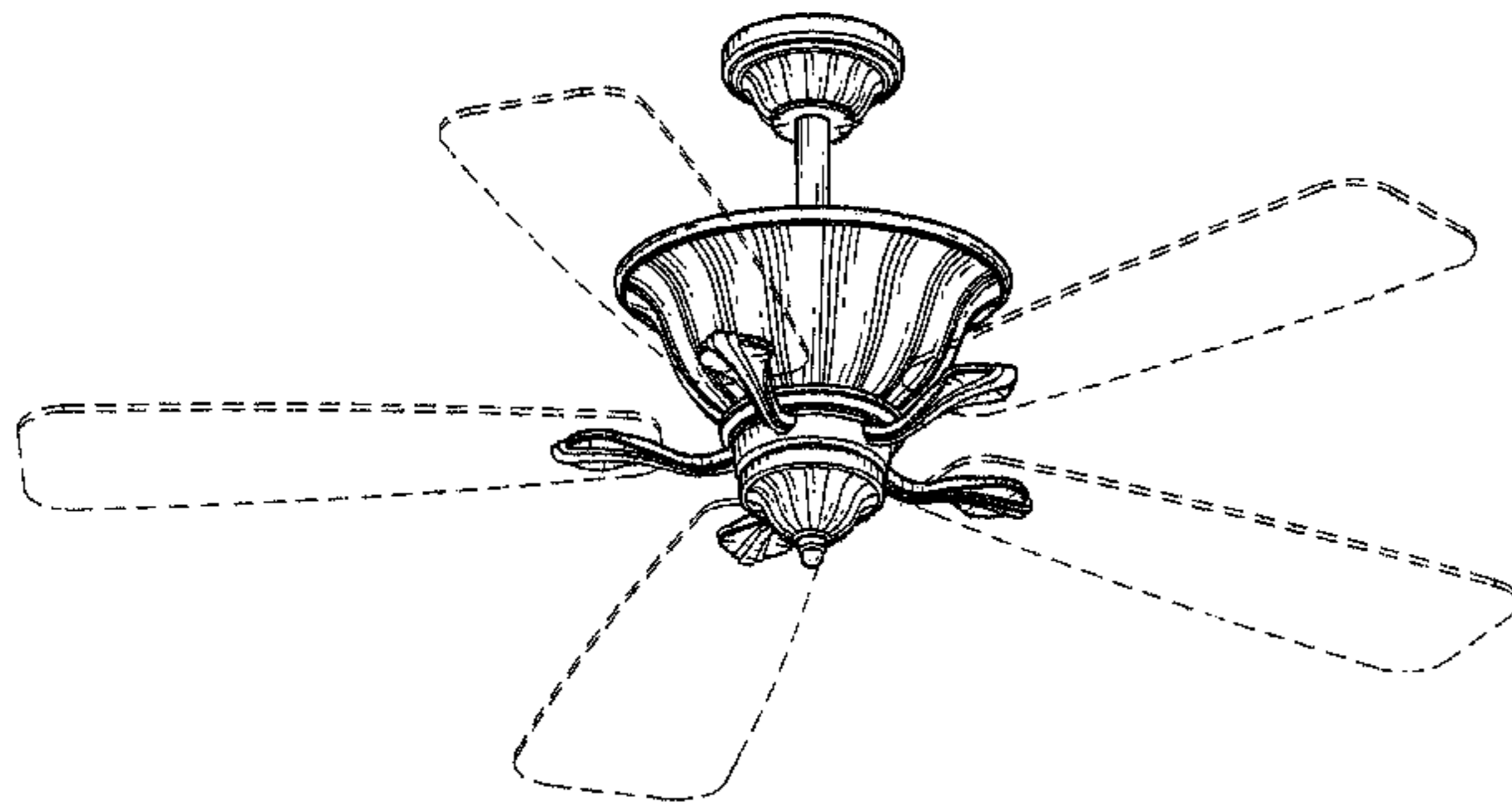
FIG. 5 is a right side view thereof;

FIG. 6 is a top view thereof; and,

FIG. 7 is a bottom view thereof.

The broken line showing of fan blades is included for the purpose of illustrating environmental structure and forms no part of the claimed design.

1 Claim, 5 Drawing Sheets



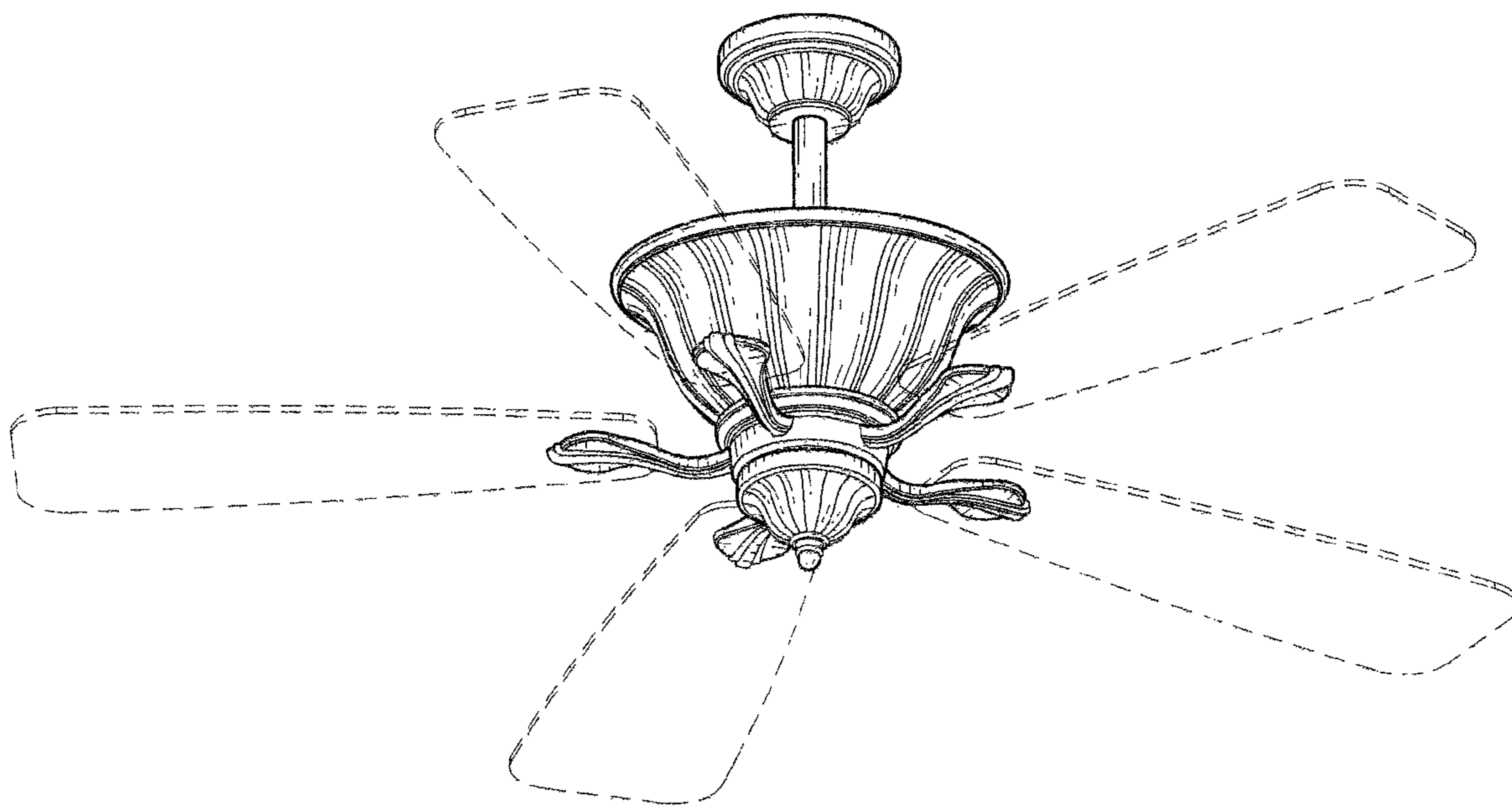


FIG. 1

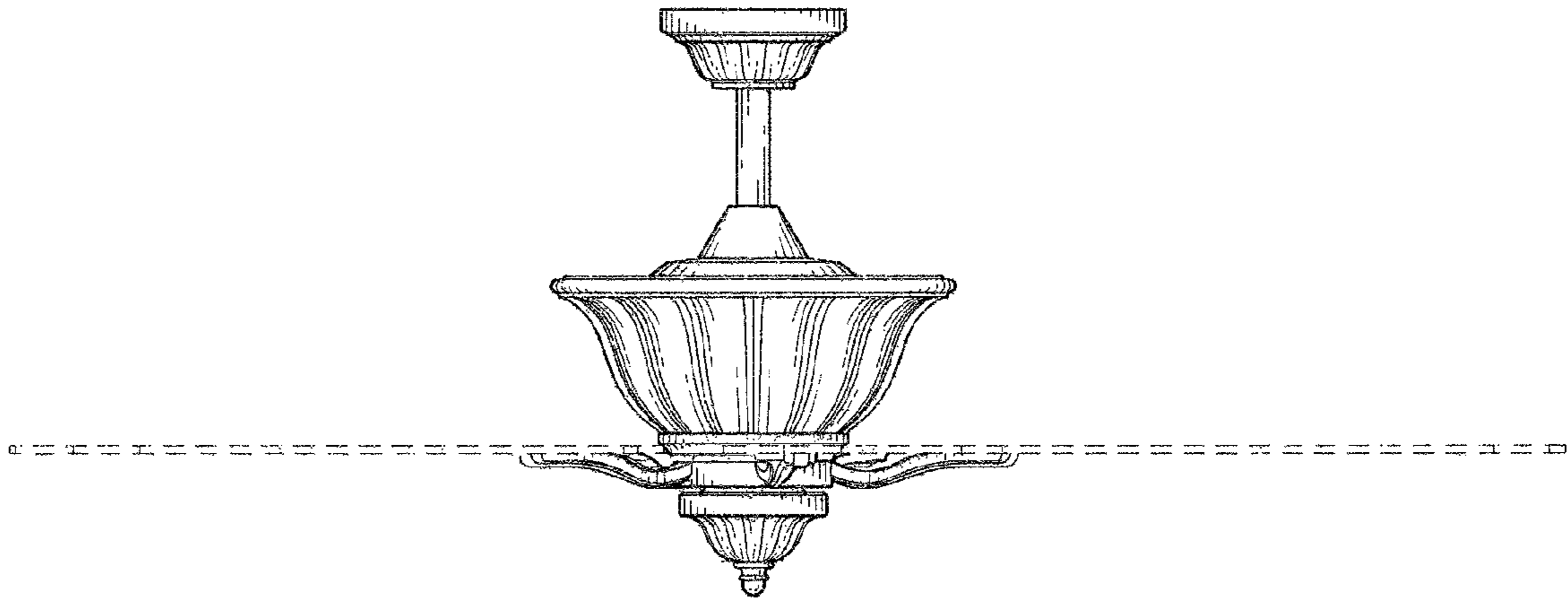


FIG. 2

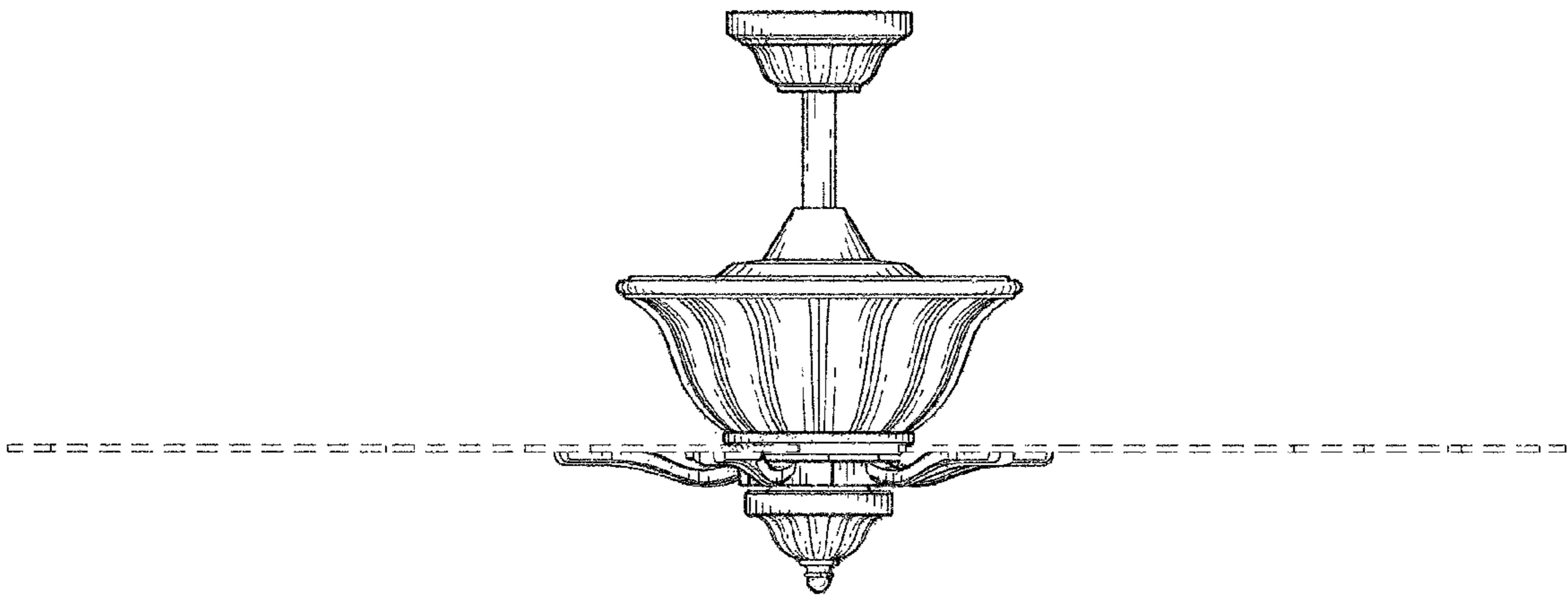


FIG. 3

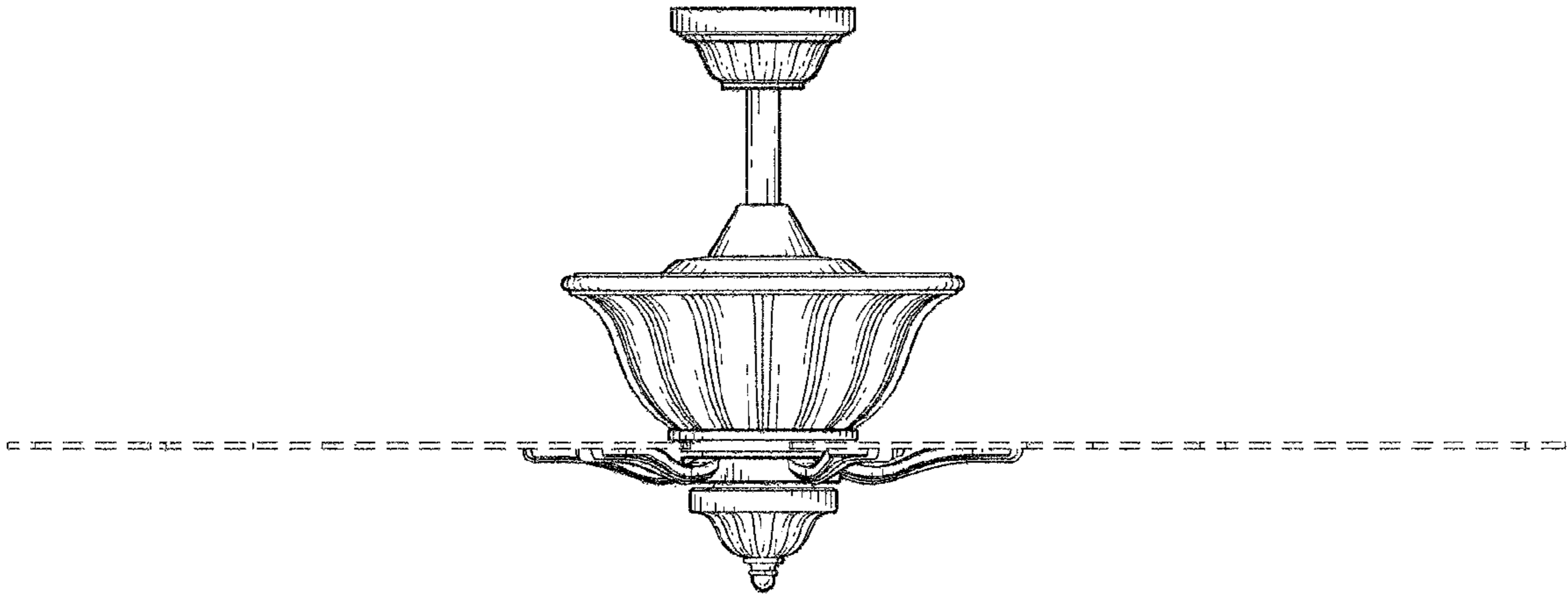


FIG. 4

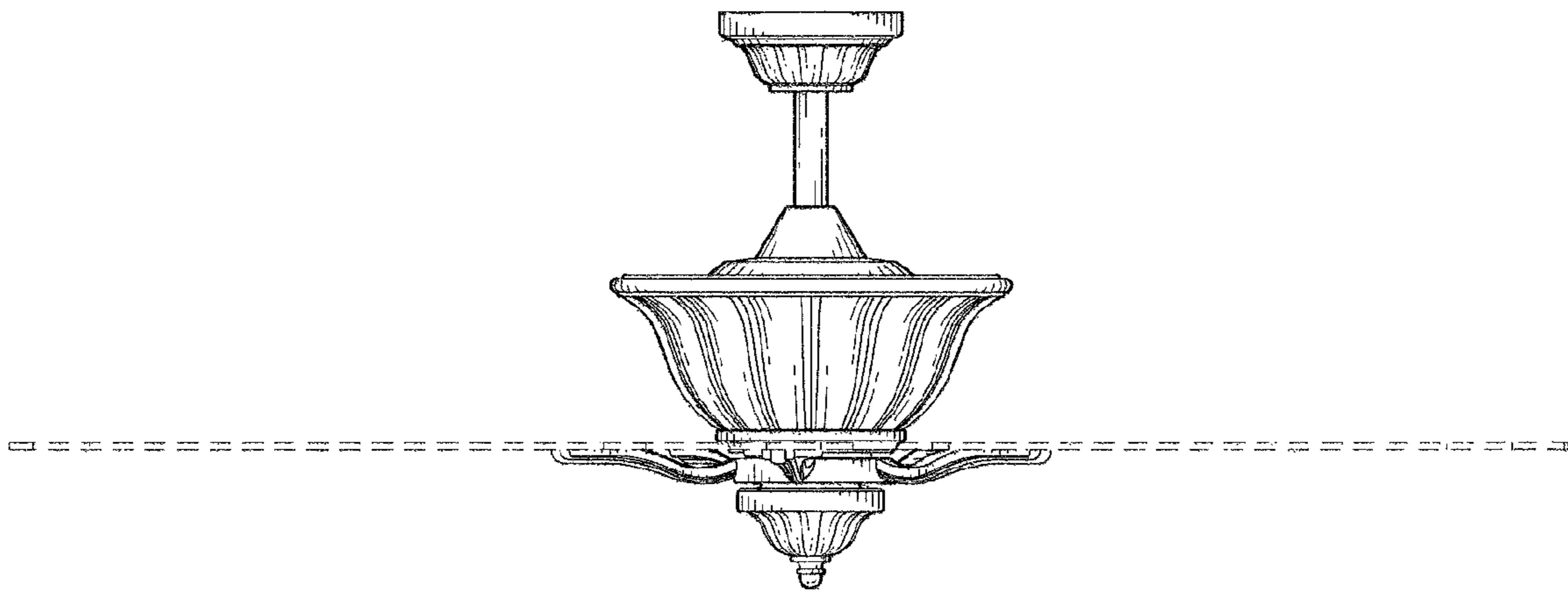


FIG. 5

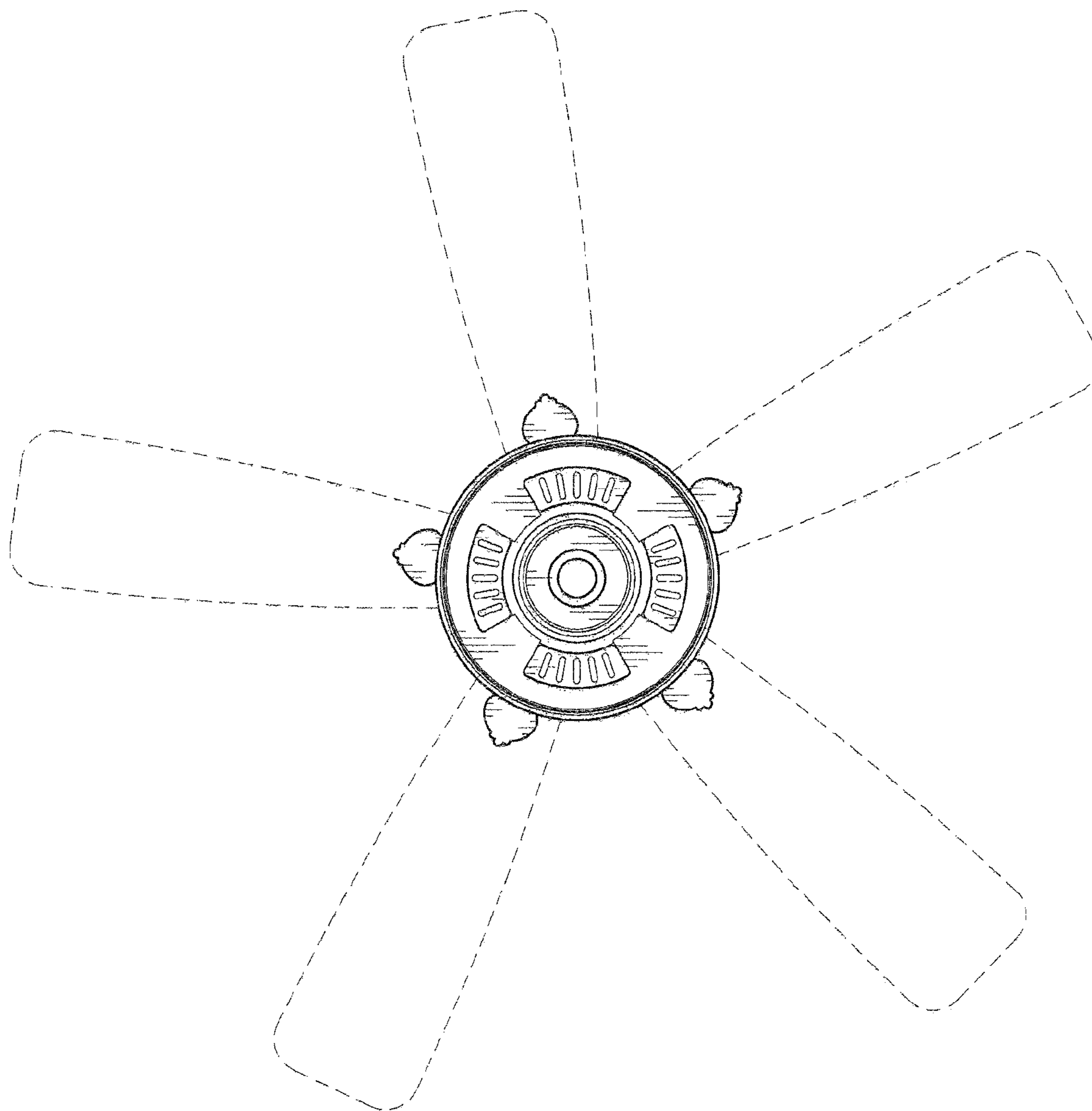


FIG. 6

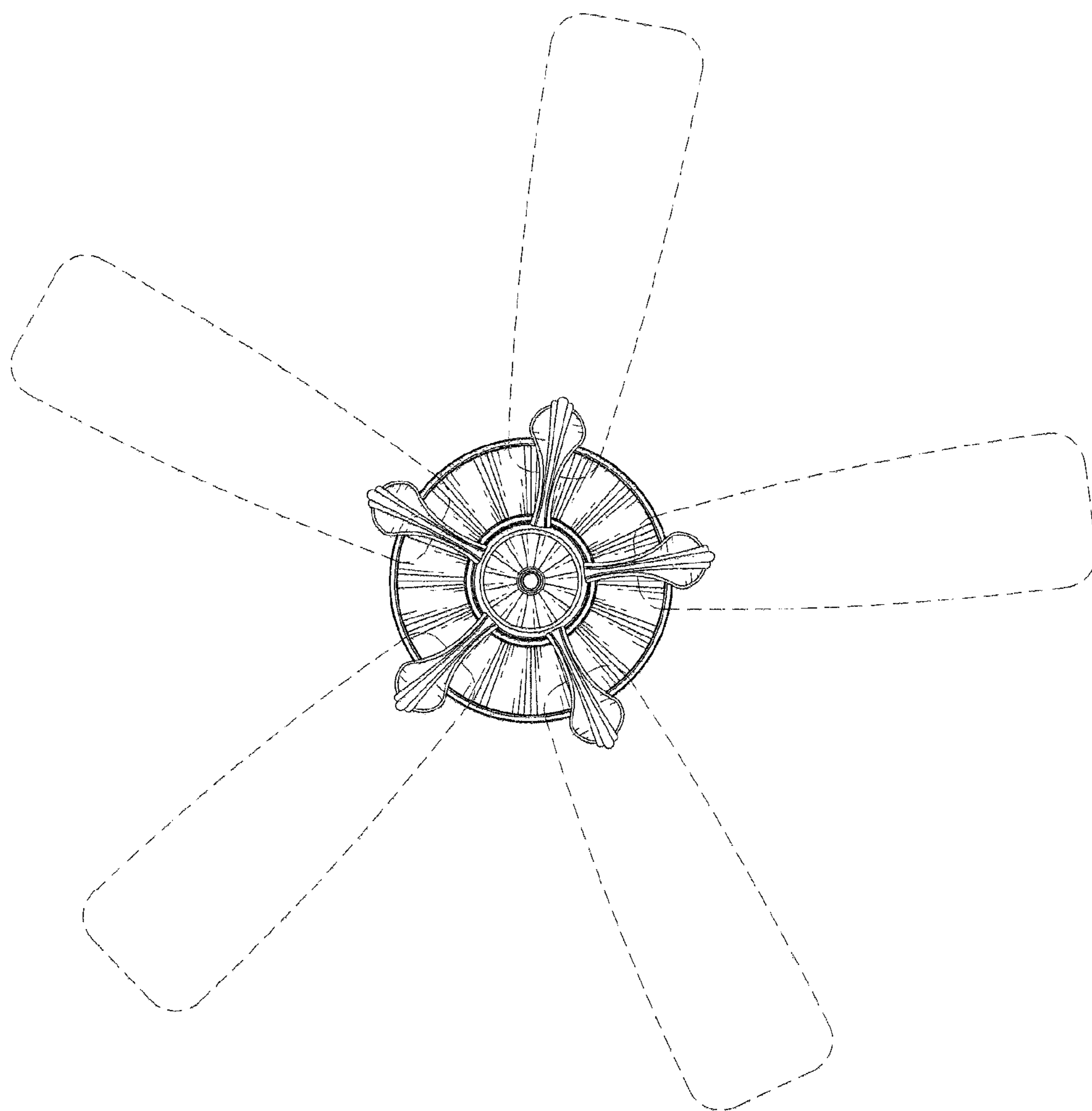


FIG. 7