



US00D620574S

(12) **United States Design Patent**
Jörgensen

(10) **Patent No.:** **US D620,574 S**

(45) **Date of Patent:** **** Jul. 27, 2010**

(54) **FRAGRANCE DIFFUSER**

(75) Inventor: **Carsten Jörgensen**, Kastanienbaum
(CH)

(73) Assignee: **Ming Jen Hsiao**, Miaoli County (TW)

(**) Term: **14 Years**

(21) Appl. No.: **29/346,866**

(22) Filed: **Nov. 6, 2009**

(51) **LOC (9) Cl.** **28-99**

(52) **U.S. Cl.** **D23/366**

(58) **Field of Classification Search** D23/355-369;
261/DIG. 17, DIG. 42, DIG. 65, DIG. 88,
261/DIG. 89; 239/34-36, 44-45, 53-54,
239/56-57, 60, 136, 152, 302, 326; 392/386,
392/390, 392, 394, 395; D28/5, 6; D32/29.1
See application file for complete search history.

(56) **References Cited**

U.S. PATENT DOCUMENTS

1,043,159 A * 11/1912 Sleeper 239/44
2,471,949 A * 5/1949 Gilowitz 239/44

2,491,124 A * 12/1949 Martin 47/81
D434,481 S * 11/2000 Bornstein et al. D23/360
D596,732 S * 7/2009 Butler et al. D23/366
D605,746 S * 12/2009 Butler et al. D23/366
2008/0308648 A1 * 12/2008 Pesu 239/44

* cited by examiner

Primary Examiner—Sandra Snapp

(74) *Attorney, Agent, or Firm*—Ming Chow; Sinorica, LLC

(57) **CLAIM**

The ornamental design for a fragrance diffuser, as shown.

DESCRIPTION

FIG. 1 is a perspective view of the design for a fragrance diffuser;

FIG. 2 is a front view of the design;

FIG. 3 is a rear view of the design;

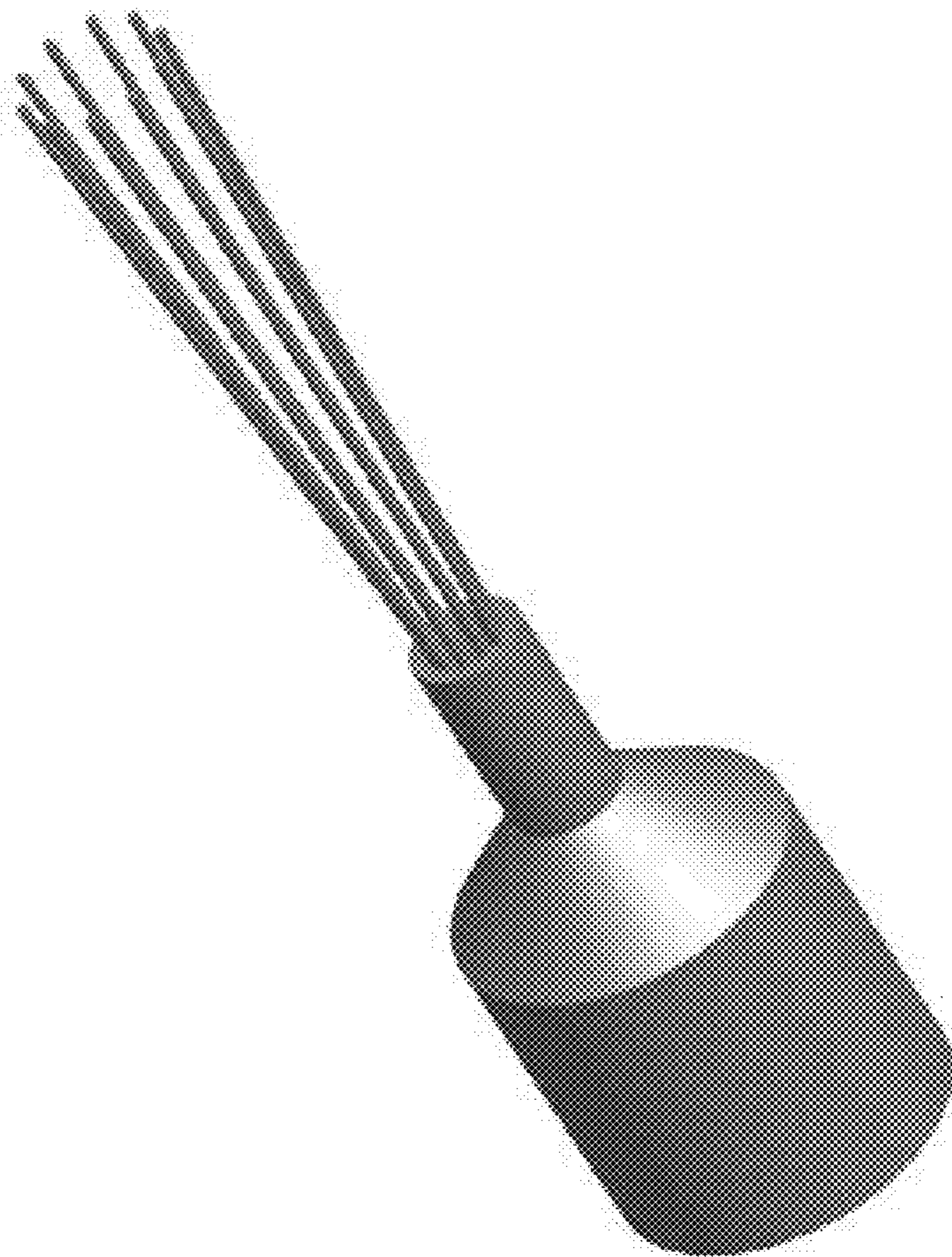
FIG. 4 is a left side view of the design;

FIG. 5 is a right side view of the design;

FIG. 6 is a top view of the design; and,

FIG. 7 is a bottom view of the design.

1 Claim, 6 Drawing Sheets



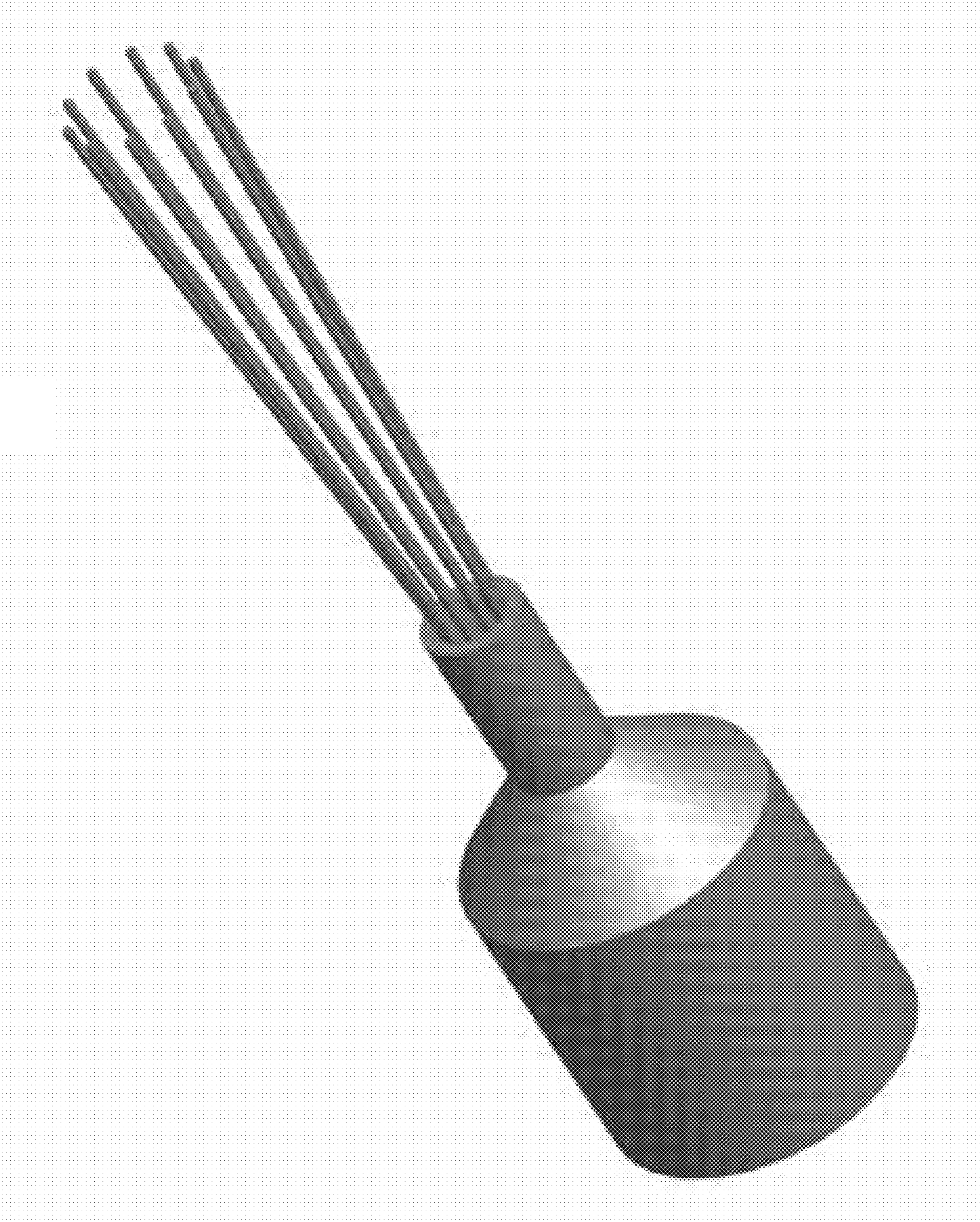


FIG. 1

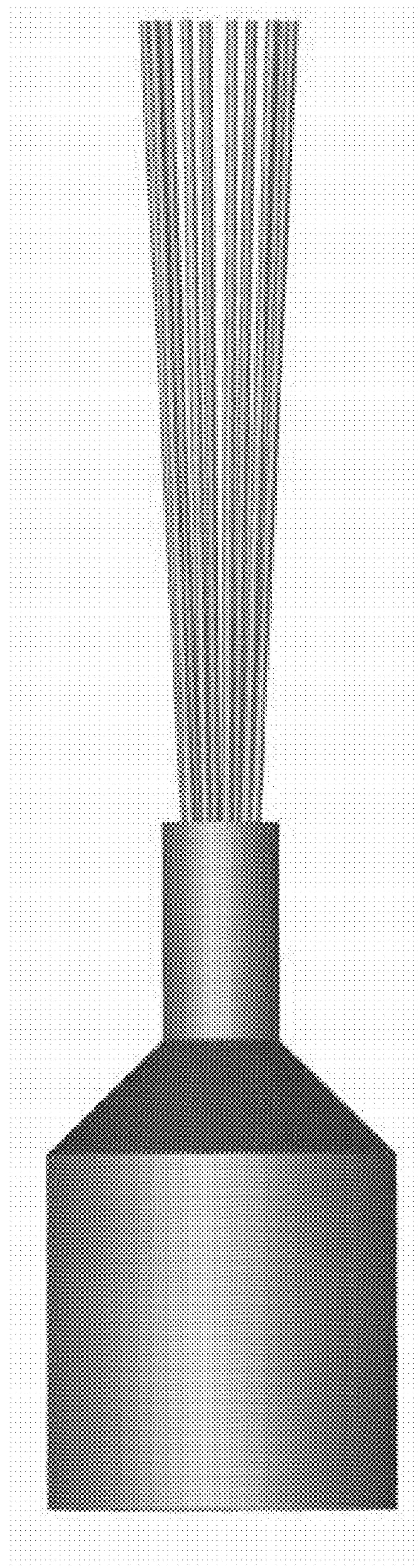


FIG. 2

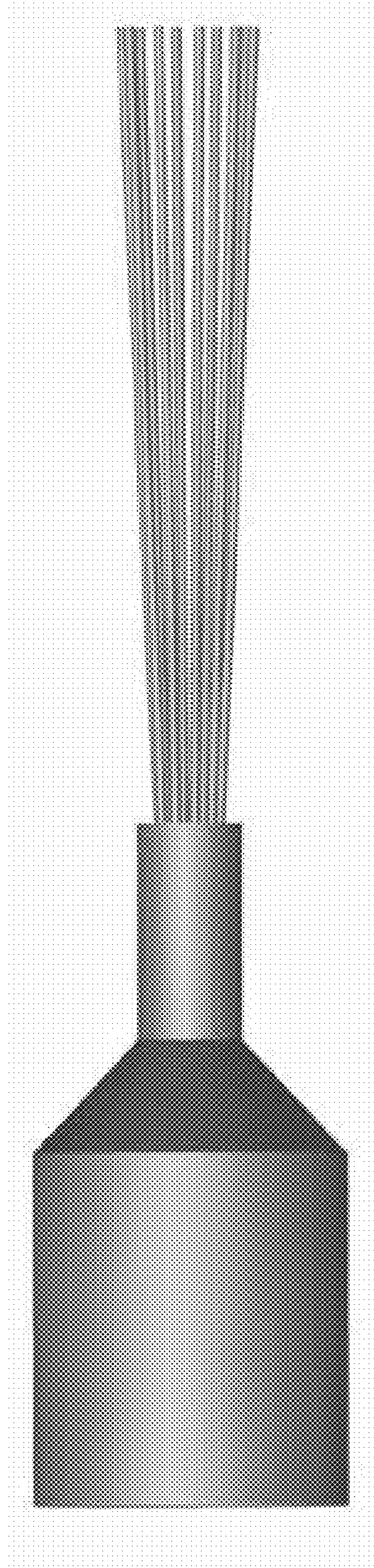


FIG. 3

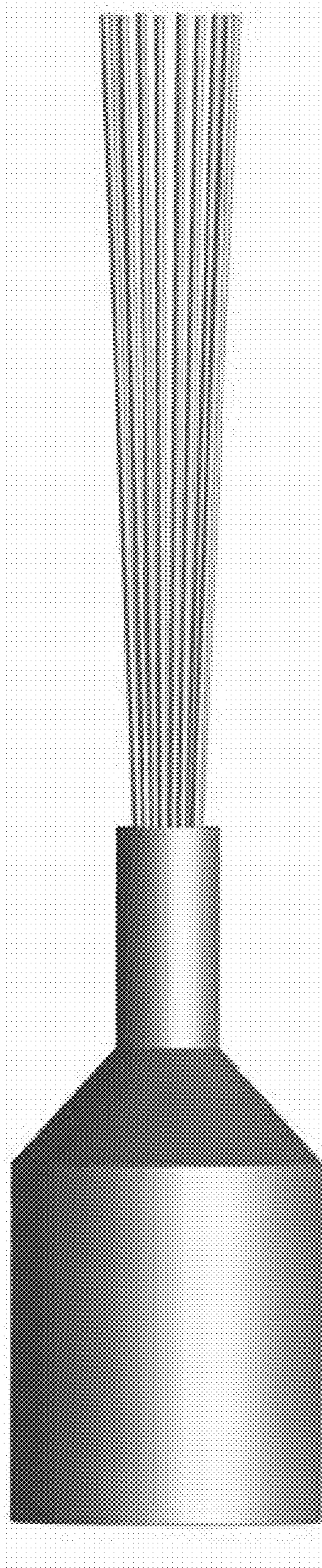


FIG. 4

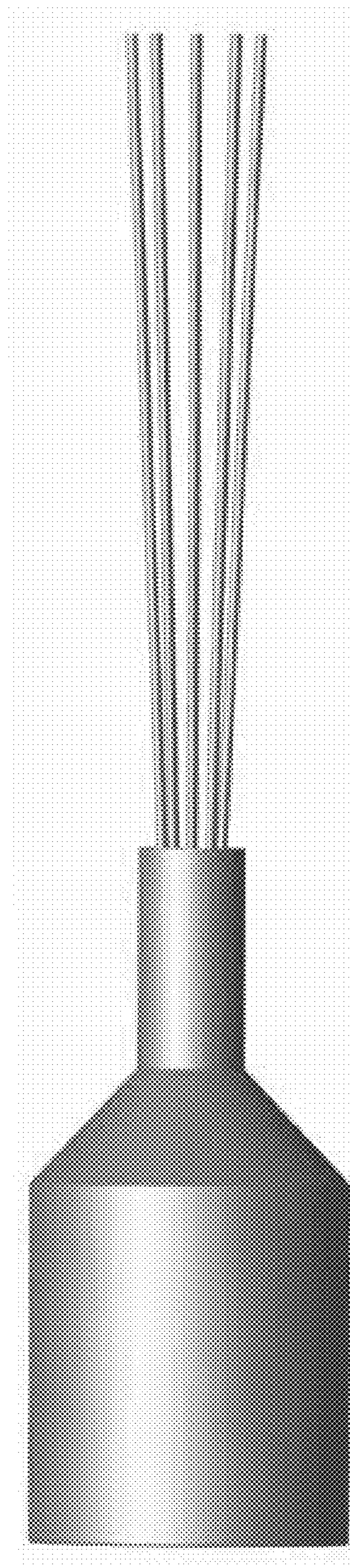


FIG. 5

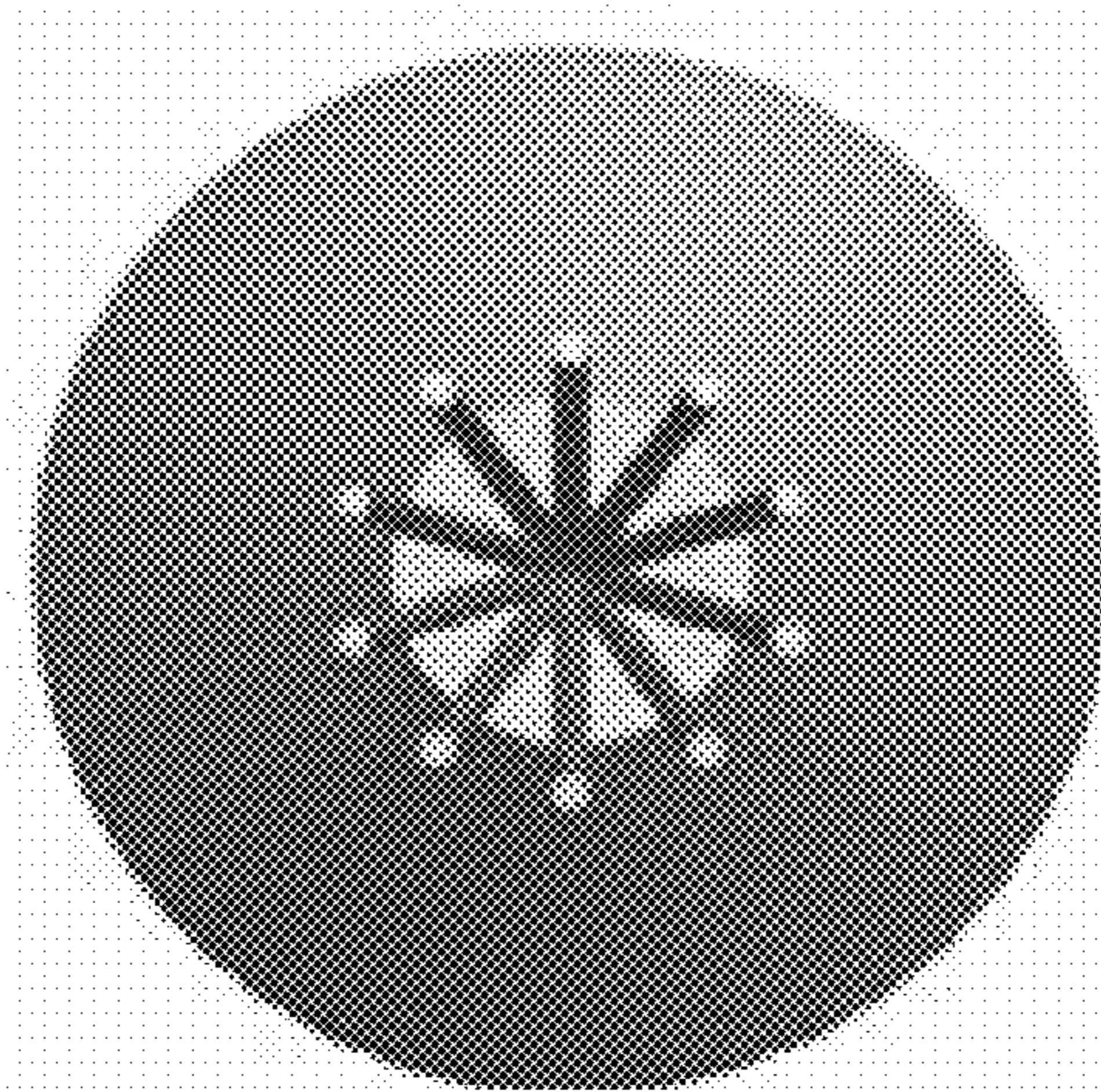


FIG. 6

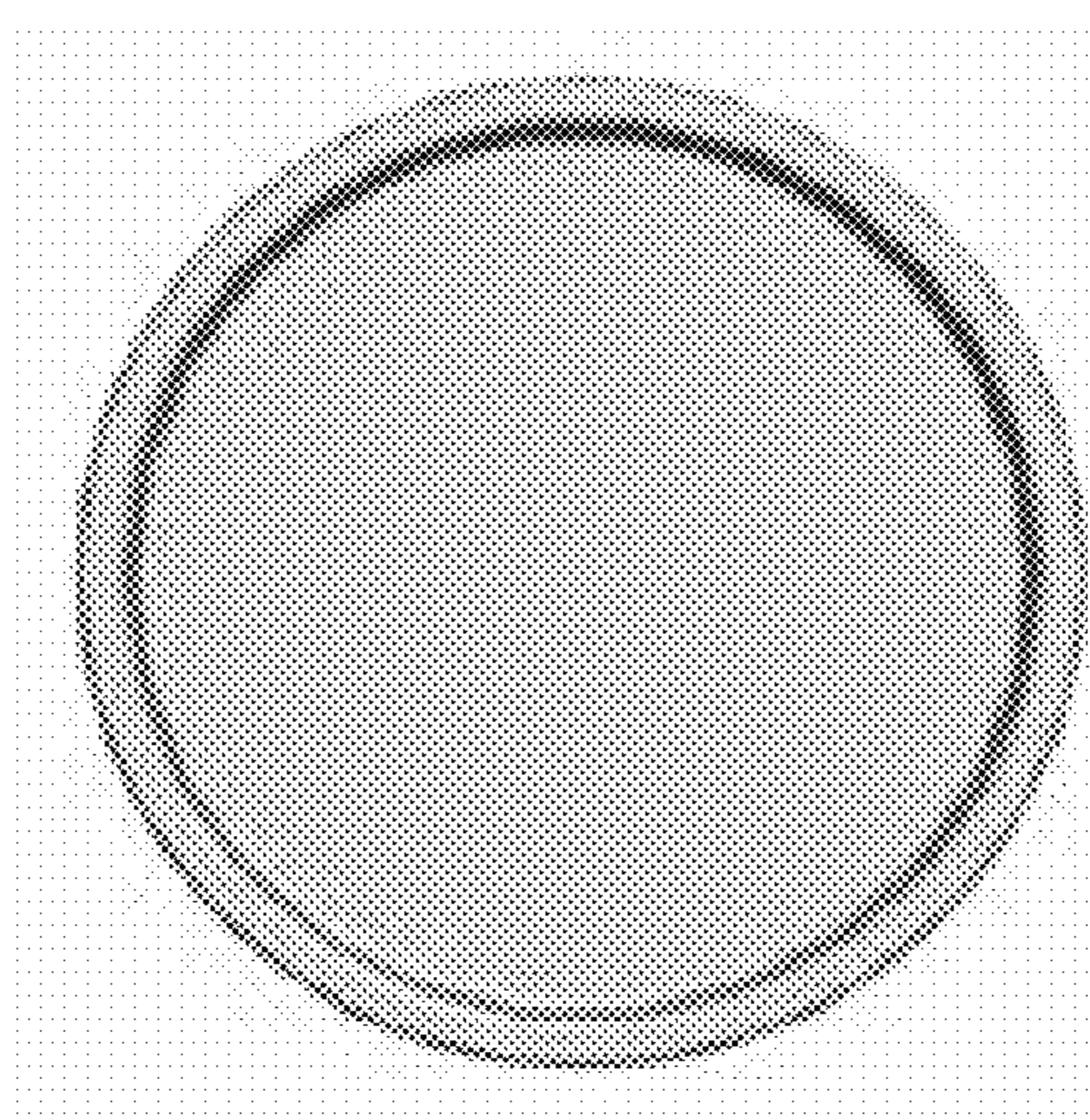


FIG. 7