



US00D620573S

(12) **United States Design Patent**
Hami et al.

(10) **Patent No.:** **US D620,573 S**
(45) **Date of Patent:** **** Jul. 27, 2010**

(54) **DEODORANT HOLDER**

(76) Inventors: **Hossein Hami**, Via S. Francesco, 9,
Sovizzo (VI) (IT) 36050; **Davide**
Barragato, Via Fratelli Stuparich, 28,
Vicenza (IT) 36100

(**) Term: **14 Years**

(21) Appl. No.: **29/333,936**

(22) Filed: **Mar. 17, 2009**

(51) **LOC (9) Cl.** **28-99**

(52) **U.S. Cl.** **D23/366**

(58) **Field of Classification Search** D23/355-369;
D28/5, 6; 261/DIG. 17, DIG. 42, DIG. 65,
261/DIG. 88, DIG. 89; 392/386, 390, 391,
392/392, 394, 395, 389, 393; 239/34, 35,
239/43-45, 53, 56, 57, 60, 326, 42, 50, 55
See application file for complete search history.

(56) **References Cited**

U.S. PATENT DOCUMENTS

- D196,639 S * 10/1963 Irving D23/367
- 5,193,445 A * 3/1993 Ferguson 99/482
- D400,664 S * 11/1998 Rosenstadt et al. D23/367
- D417,356 S * 12/1999 Rosenstadt et al. D6/598
- D433,862 S * 11/2000 Rosenstadt et al. D6/598

- D433,863 S * 11/2000 Rosenstadt et al. D6/598
- D433,864 S * 11/2000 Rosenstadt et al. D6/598
- D434,260 S * 11/2000 Rosenstadt et al. D6/598
- 6,264,887 B1 * 7/2001 Farmer 422/5
- D474,535 S * 5/2003 Farmer D23/367
- D507,341 S * 7/2005 Taylor D23/368
- D512,770 S * 12/2005 Wu D23/367
- D594,954 S * 6/2009 Wheatley D23/366

* cited by examiner

Primary Examiner—Sandra Snapp

(74) *Attorney, Agent, or Firm*—Themis Law

(57) **CLAIM**

The ornamental design for a deodorant holder, as shown and described.

DESCRIPTION

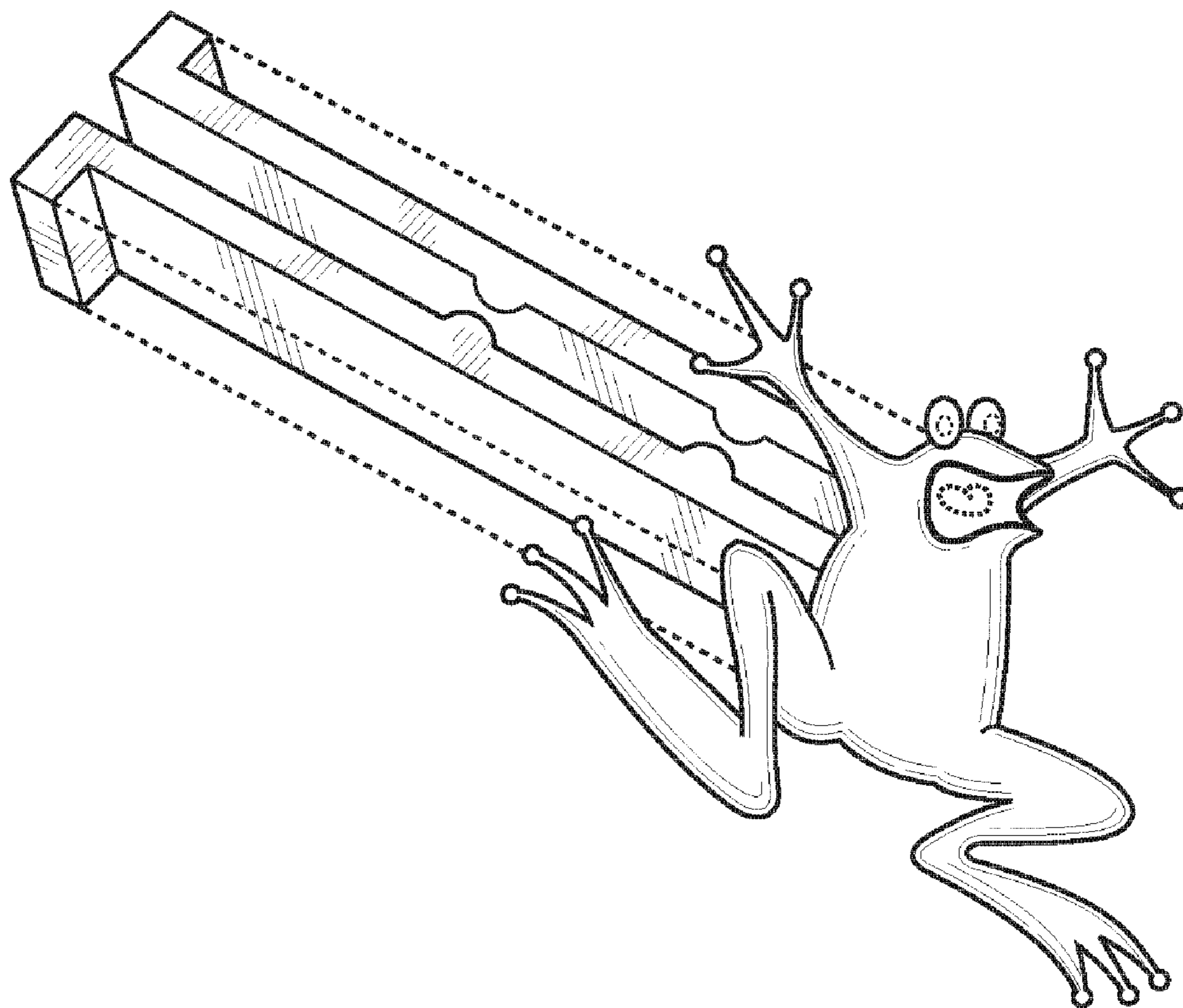
FIG. 1 is a front perspective view of a deodorant holder showing our new design;

FIG. 2 is a front elevational view thereof; and,

FIG. 3 is a top view thereof.

The details shown in dashed lines in the drawings are for illustrative purposes only and do not form part of the claimed design.

1 Claim, 3 Drawing Sheets



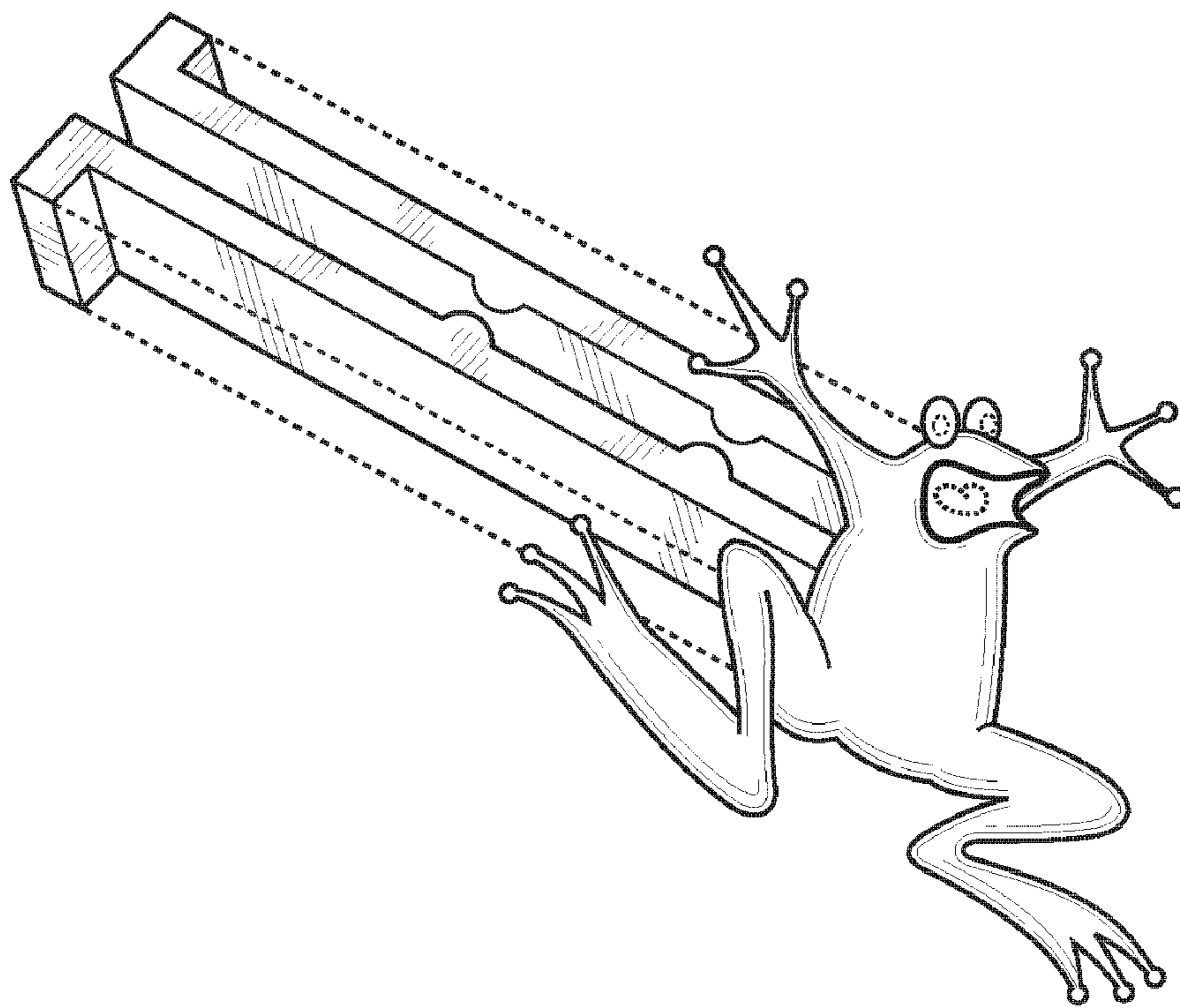


FIG. 1

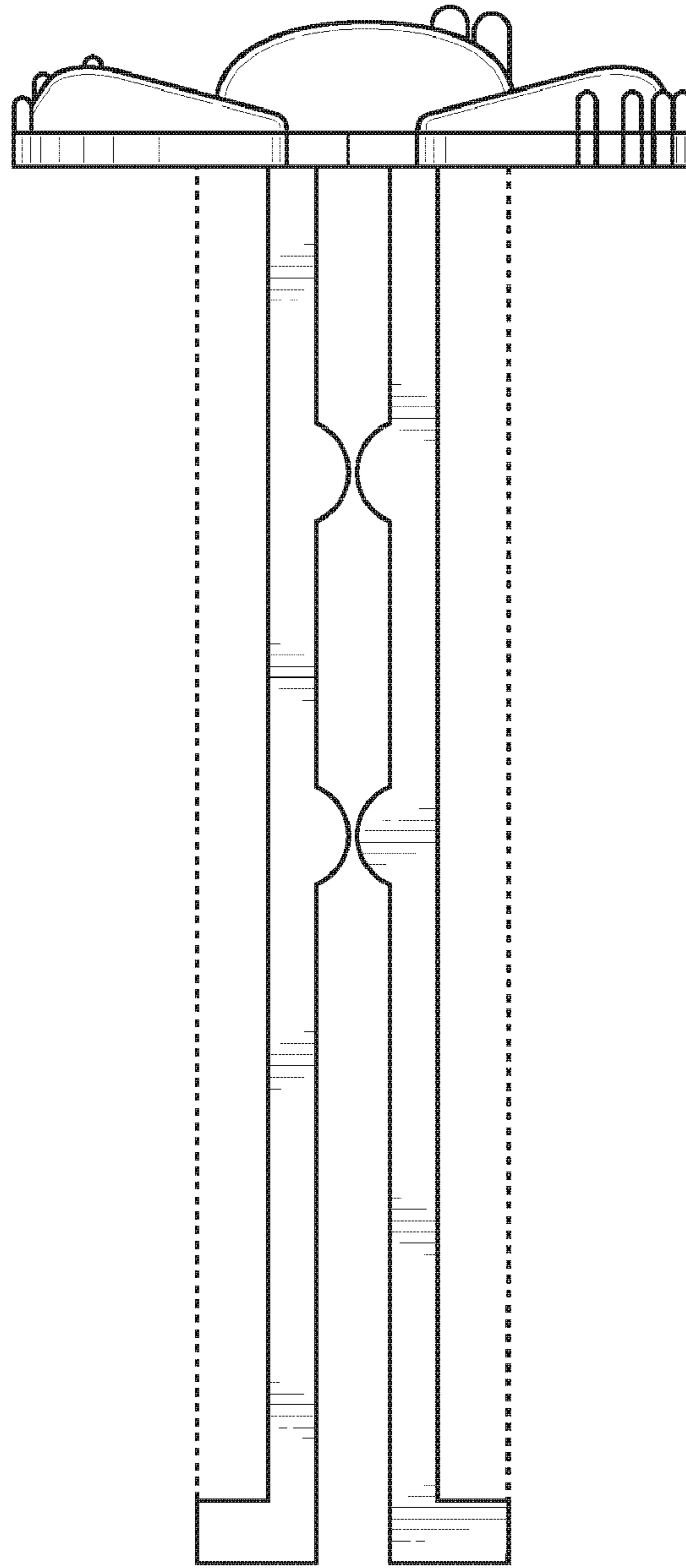


FIG. 2



FIG. 3