



US00D620572S

(12) **United States Design Patent**
Moreno et al.

(10) **Patent No.:** **US D620,572 S**
(45) **Date of Patent:** **** Jul. 27, 2010**

(54) **CONTAINER FOR DISHWASHER DEODORANTS**
(75) Inventors: **David Moreno**, Cerdanyola del Valles (ES); **Jose Antonio Munoz**, Cerdanyola del Valles (ES); **Ruben Garcia**, Cerdanyola del Valles (ES)

(73) Assignee: **Zobelespana, S.A.** (ES)

(**) Term: **14 Years**

(21) Appl. No.: **29/306,274**

(22) Filed: **Apr. 4, 2008**

(30) **Foreign Application Priority Data**

Oct. 4, 2007 (EM) 000802392

(51) **LOC (9) Cl.** **28-99**

(52) **U.S. Cl.** **D23/366**

(58) **Field of Classification Search** D23/355-369; 261/DIG. 17, DIG. 42, DIG. 65, DIG. 88, 261/DIG. 89; 239/34-36, 44-45, 53-54, 239/56-57, 60, 136, 152, 302, 326; 392/386, 392/390, 392, 394, 395; D28/5, 6
See application file for complete search history.

(56) **References Cited**

U.S. PATENT DOCUMENTS

- D168,685 S * 1/1953 Holbrook D23/362
- D379,853 S * 6/1997 Long et al. D23/367
- D398,390 S * 9/1998 Chen D23/366
- D489,123 S * 4/2004 Basaganas Millan D23/366
- D511,569 S * 11/2005 Harbutt et al. D23/366

- D512,496 S * 12/2005 Harbutt et al. D23/366
- D513,433 S * 1/2006 Lemaire D23/366
- D514,212 S * 1/2006 Harbutt et al. D23/366
- D514,213 S * 1/2006 Harbutt et al. D23/366
- D521,138 S * 5/2006 Wu D23/366
- D532,891 S * 11/2006 Buthier et al. D23/366
- D535,003 S * 1/2007 Buthier et al. D23/366
- D550,828 S * 9/2007 Wu D23/366
- D550,829 S * 9/2007 Buthier et al. D23/367
- D553,230 S * 10/2007 Caserta et al. D23/360
- D582,535 S * 12/2008 Nickel et al. D23/366
- D584,808 S * 1/2009 Moreno et al. D23/366
- D596,731 S * 7/2009 Garcia Fabrega et al. .. D23/366

* cited by examiner

Primary Examiner—Sandra Snapp

(74) *Attorney, Agent, or Firm*—Cantor Colburn LLP

(57) **CLAIM**

I claim, the ornamental design for a container for dishwasher deodorants, as shown and described.

DESCRIPTION

FIG. 1 is a front perspective view of a container for dishwasher deodorants, showing my new design;

FIG. 2 is a front elevational view thereof;

FIG. 3 is a top plan view thereof;

FIG. 4 is a side elevational view thereof;

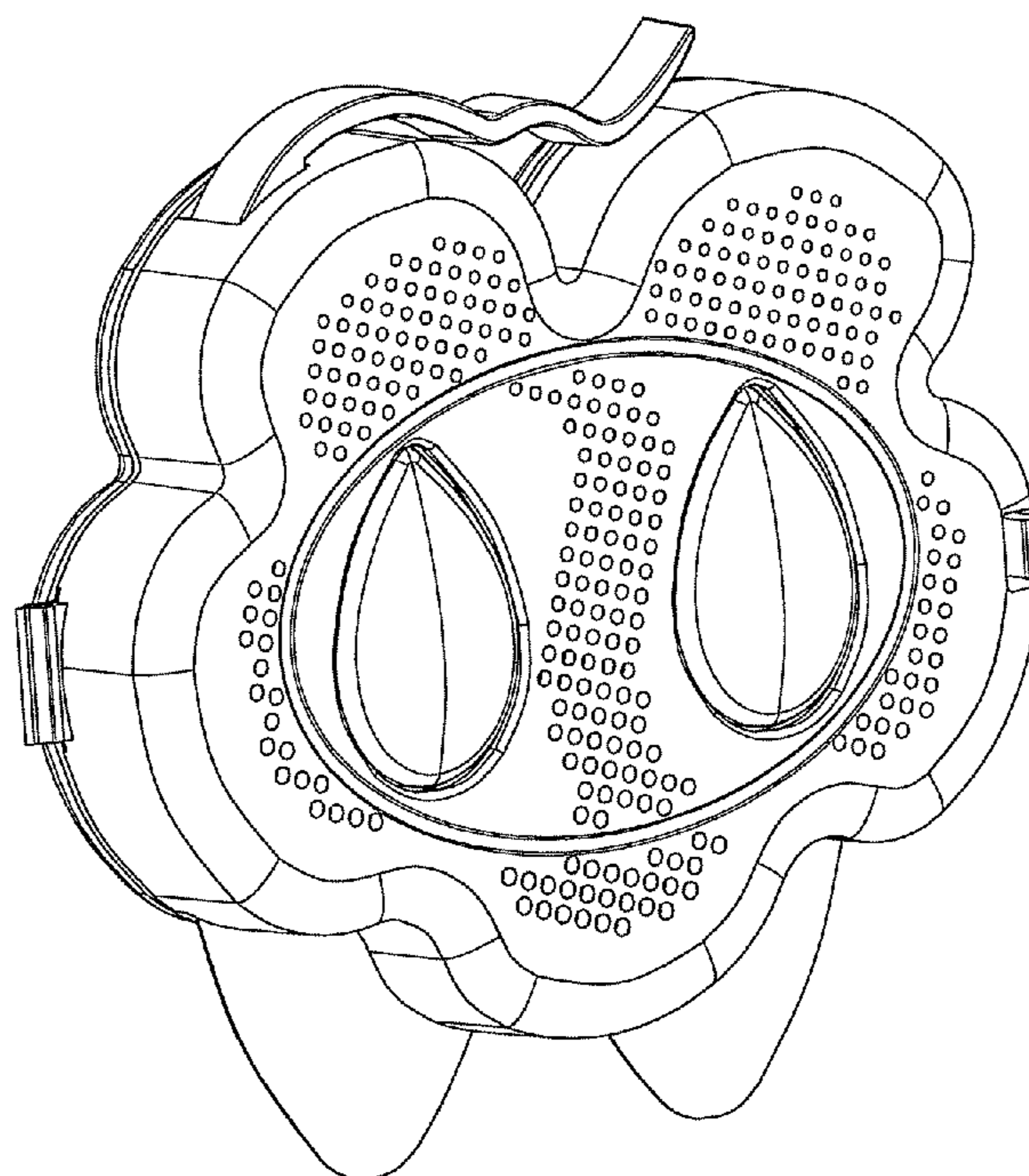
FIG. 5 is a rear elevational view thereof;

FIG. 6 is a bottom plan view thereof;

FIG. 7 is another side elevational view thereof; and,

FIG. 8 is a rear perspective view thereof.

1 Claim, 8 Drawing Sheets



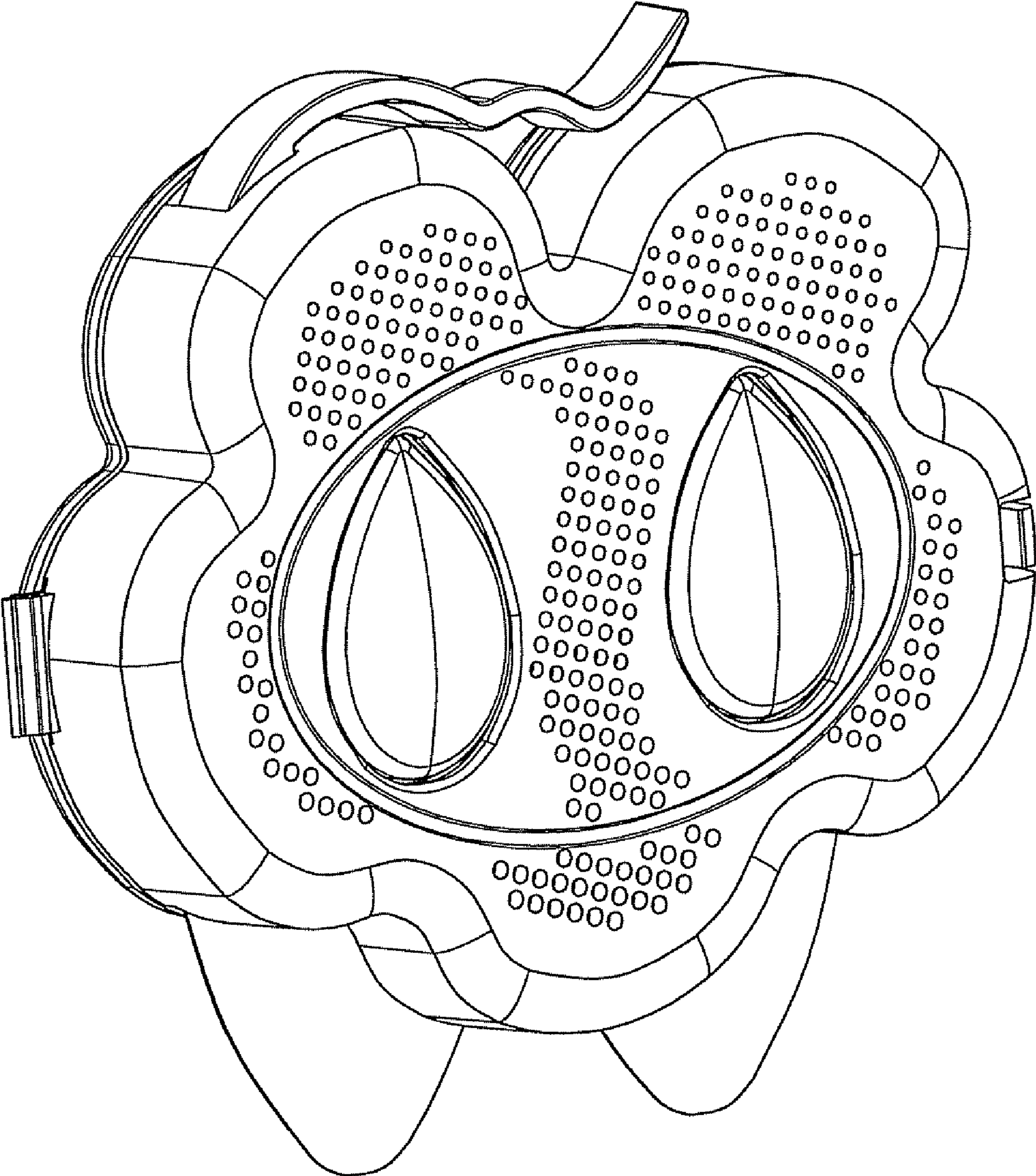


FIG. 1

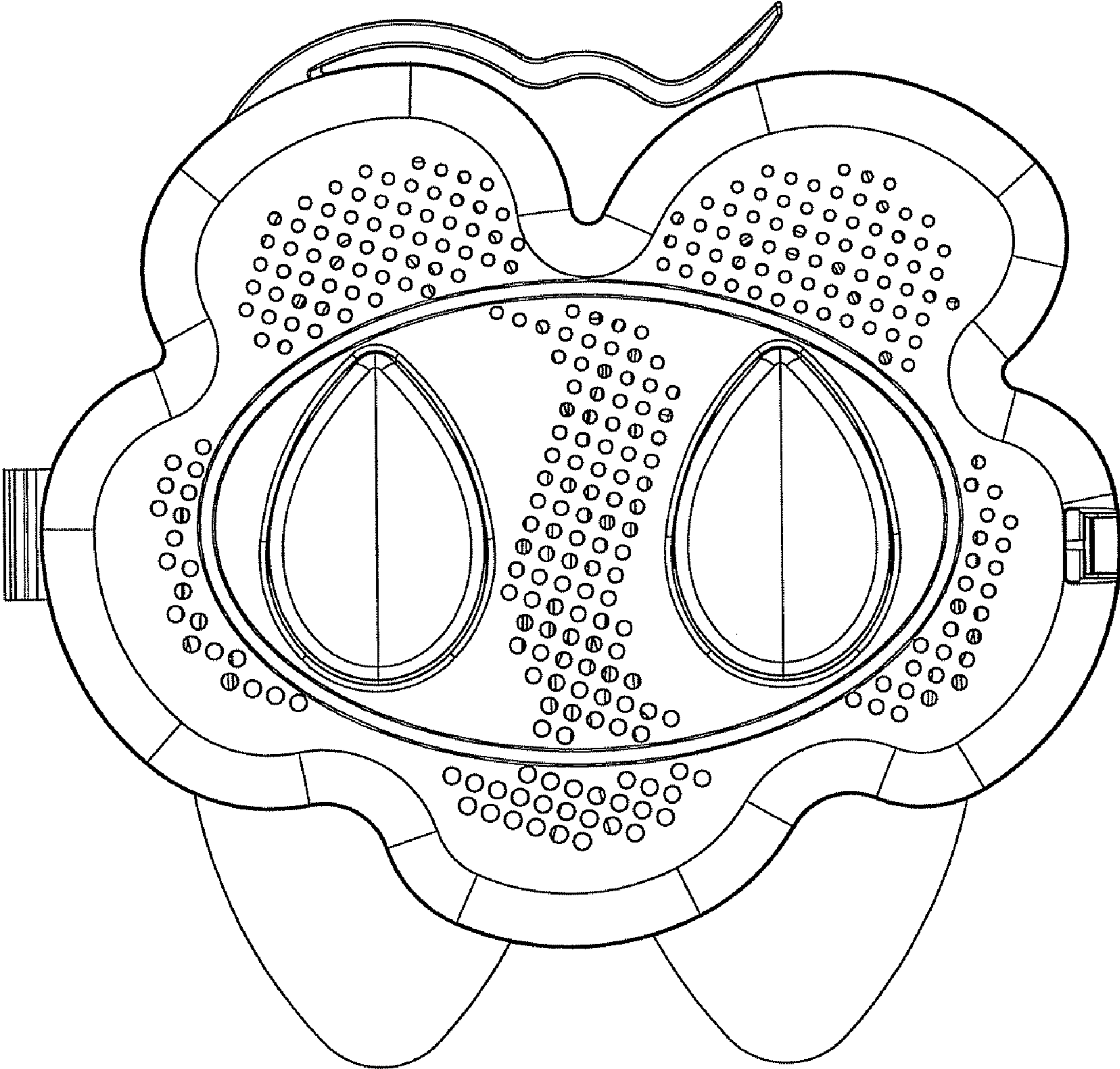


FIG. 2

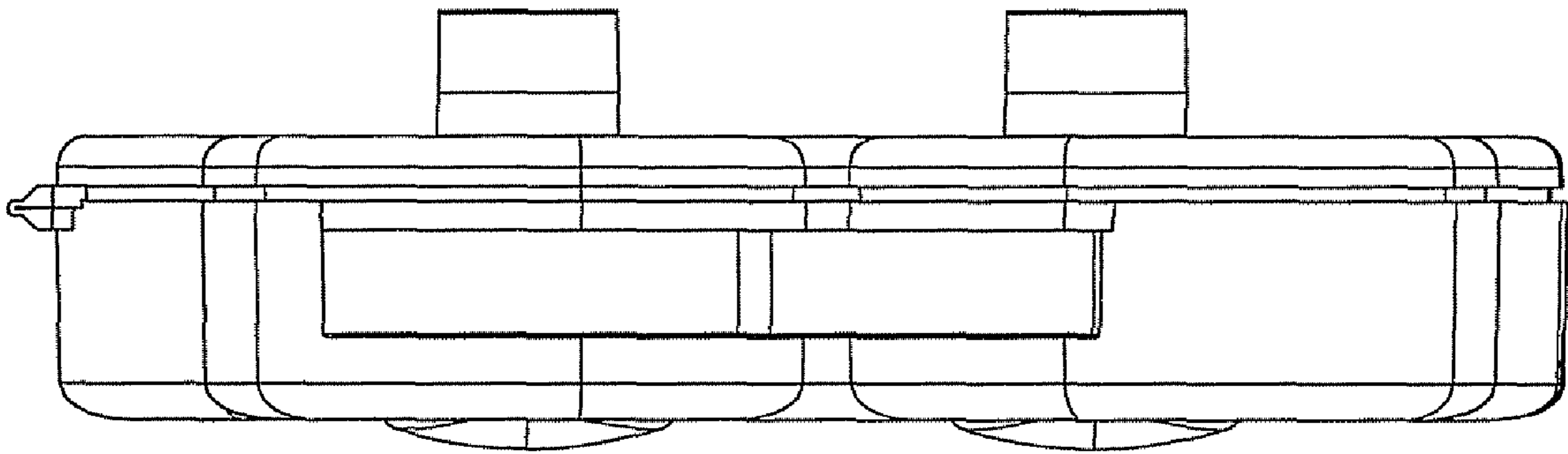


FIG. 3

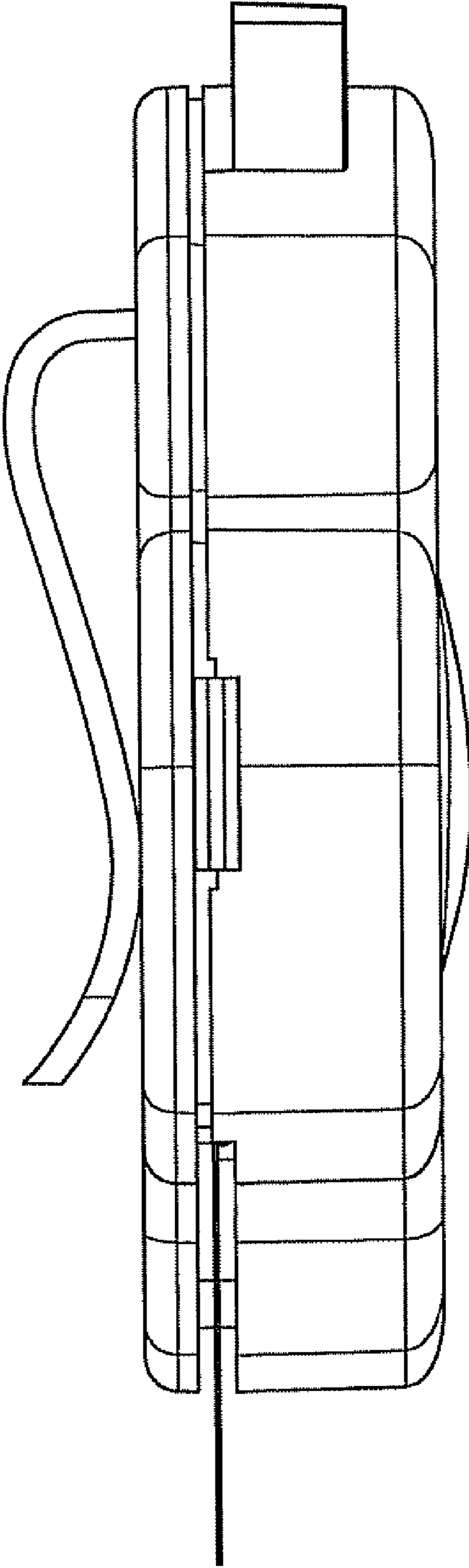


FIG. 4

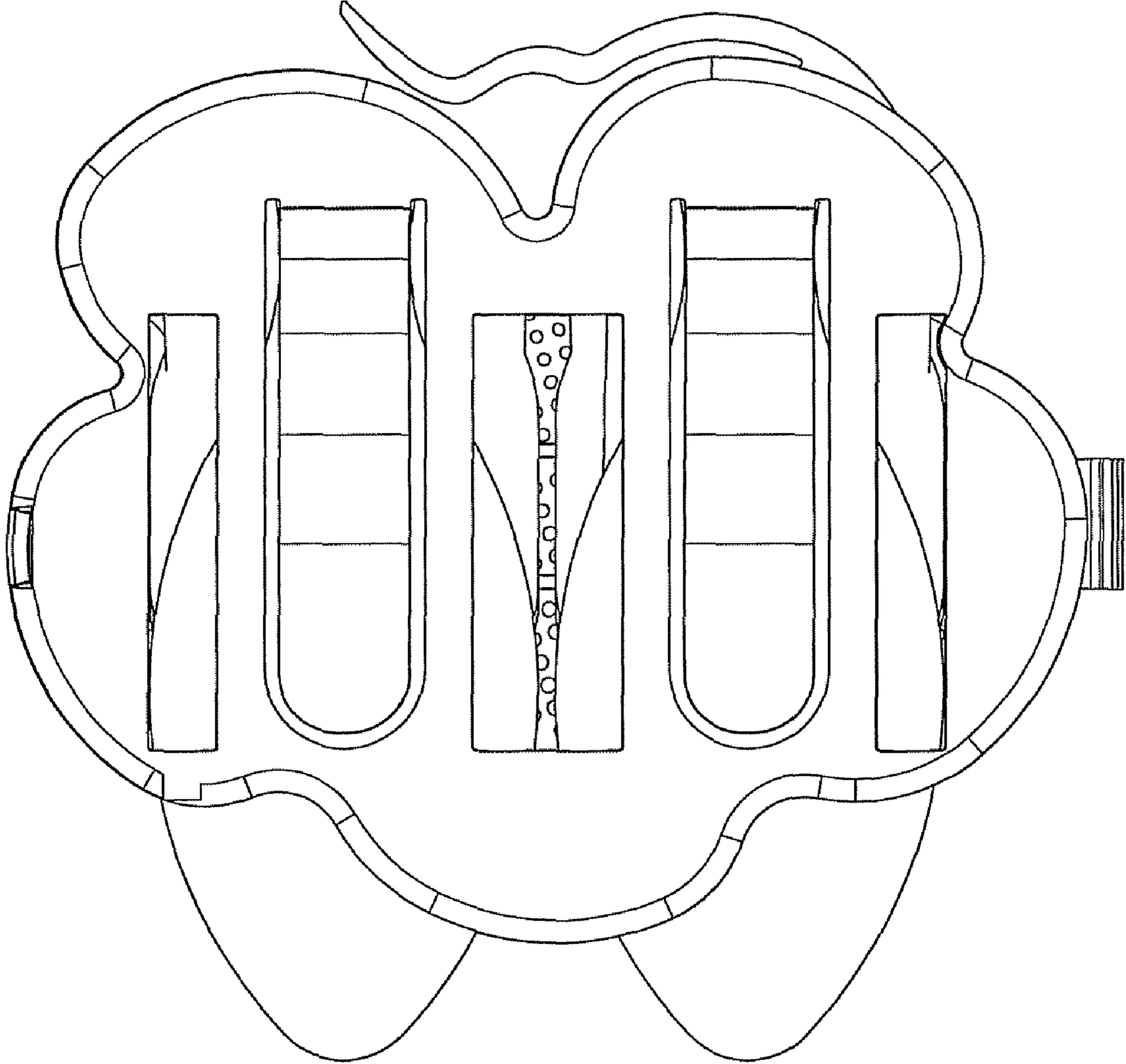


FIG. 5

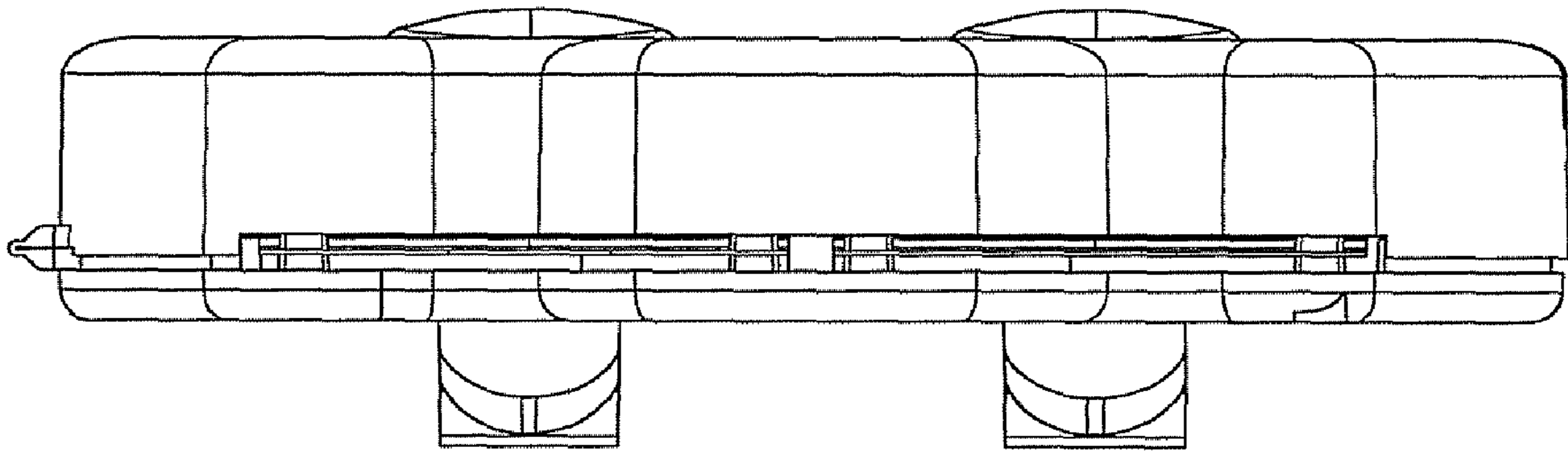


FIG. 6

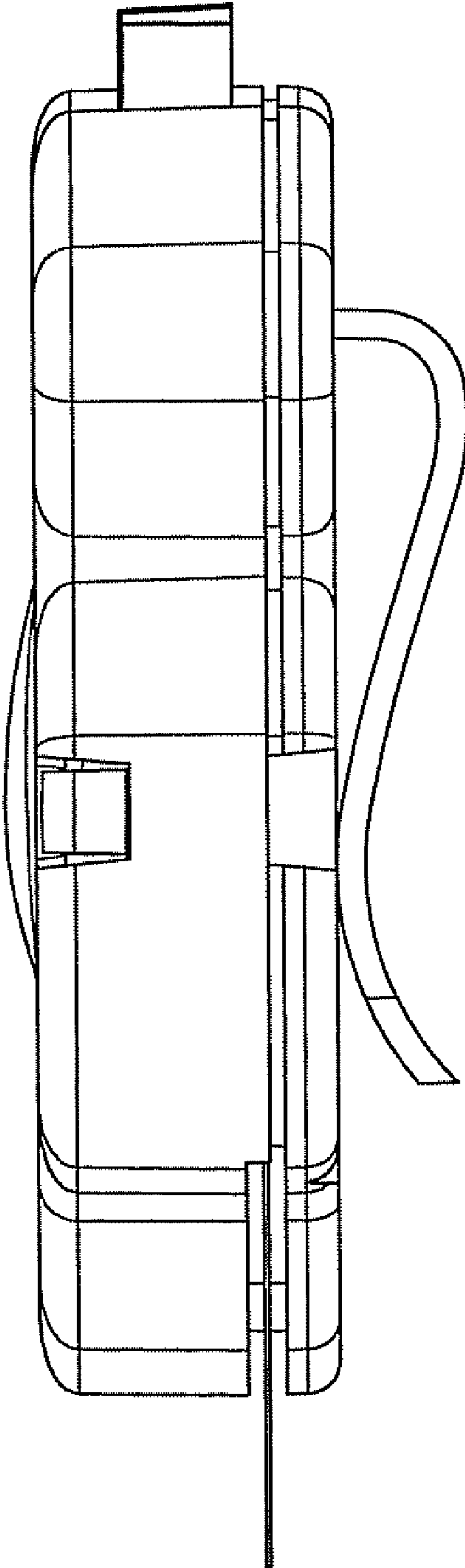


FIG. 7

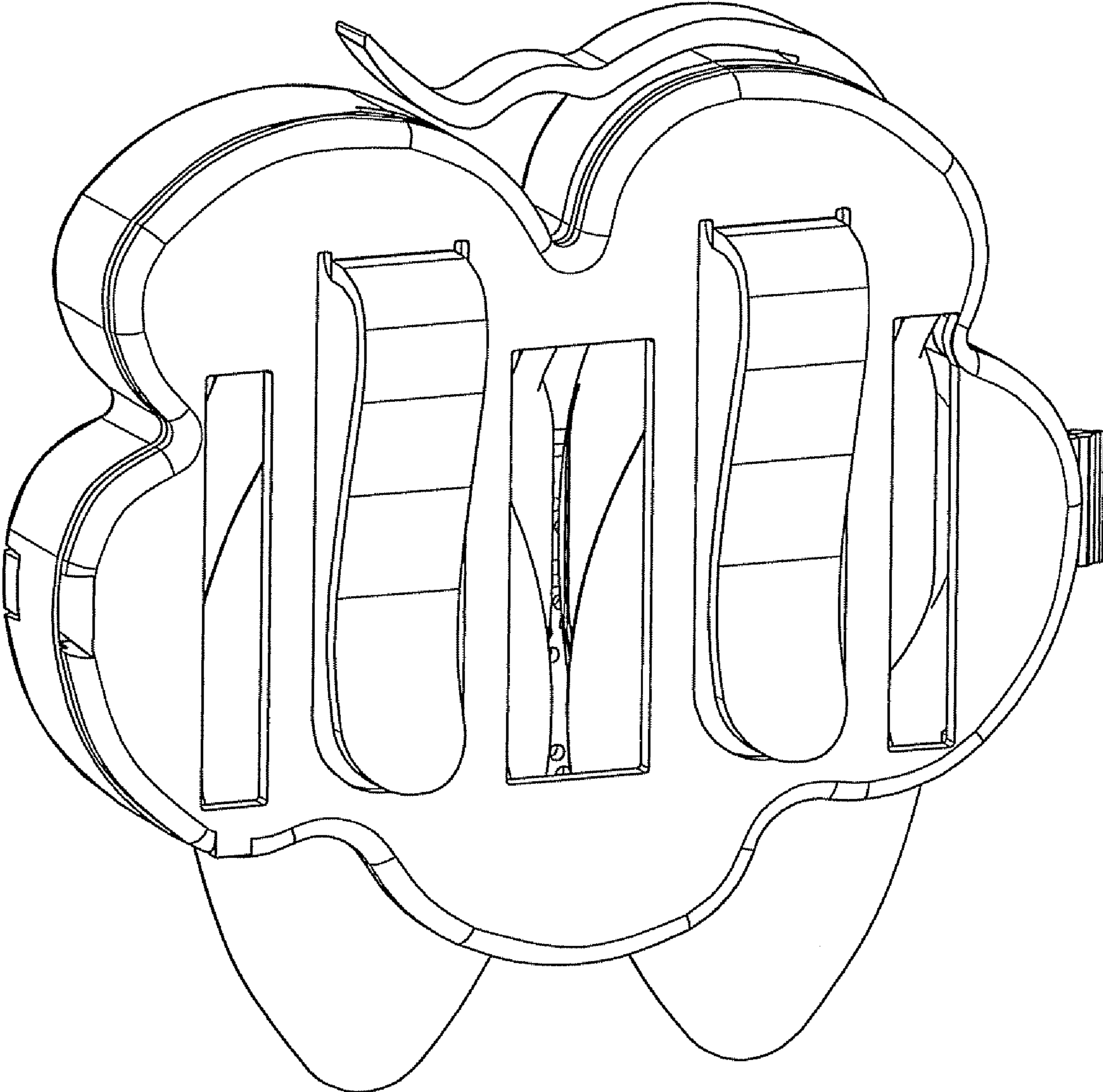


FIG. 8