



US00D620571S

(12) **United States Design Patent**
Strussion

(10) **Patent No.:** **US D620,571 S**
(45) **Date of Patent:** **** Jul. 27, 2010**

(54) **EVAPORATE COOLING SYSTEM WATER CONTAINER**

D397,194 S * 8/1998 Hebert D23/354
D433,111 S * 10/2000 Wright D23/351
6,367,278 B1 4/2002 Strussion et al.
D457,613 S * 5/2002 Schaefer D23/370

(75) Inventor: **Christopher J. Strussion**, 66059
McGregor Rd., Bellaire, OH (US) 43906

* cited by examiner

(73) Assignee: **Christopher J. Strussion**, Bellaire, OH
(US)

Primary Examiner—Brian N Vinson
(74) *Attorney, Agent, or Firm*—Eschweiler & Associates,
LLC

(**) Term: **14 Years**

(21) Appl. No.: **29/342,398**

(57) **CLAIM**

(22) Filed: **Aug. 24, 2009**

The ornamental design for an evaporative cooling system water container, as shown and described.

(51) **LOC (9) Cl.** **23-04**

DESCRIPTION

(52) **U.S. Cl.** **D23/351**

(58) **Field of Classification Search** D23/351–354,
D23/385, 355, 357, 361, 314, 336, 341, 370,
D23/373, 376, 386; 312/236; 62/259.1,
62/259.4, 262–263, 304, 314; 454/330–331,
454/349–350

FIG. 1 is a top, front, and right side perspective view of an evaporative cooling system water container showing my new design, the broken-line disclosure being understood to represent portions of the article in which the claimed design is embodied, but which forms no part of the claimed design;

See application file for complete search history.

FIG. 2 is an enlarged top, front, and right side perspective view thereof;

(56) **References Cited**

U.S. PATENT DOCUMENTS

2,384,016 A * 9/1945 Dishner D23/351
D150,440 S * 8/1948 Palmer D23/351
D258,757 S * 3/1981 Jordan D23/351
4,379,712 A * 4/1983 Sperr et al. 62/314
4,419,300 A * 12/1983 VanNess et al. 62/304
D362,905 S * 10/1995 Wulf et al. D23/351

FIG. 3 is an enlarged front elevational view thereof;

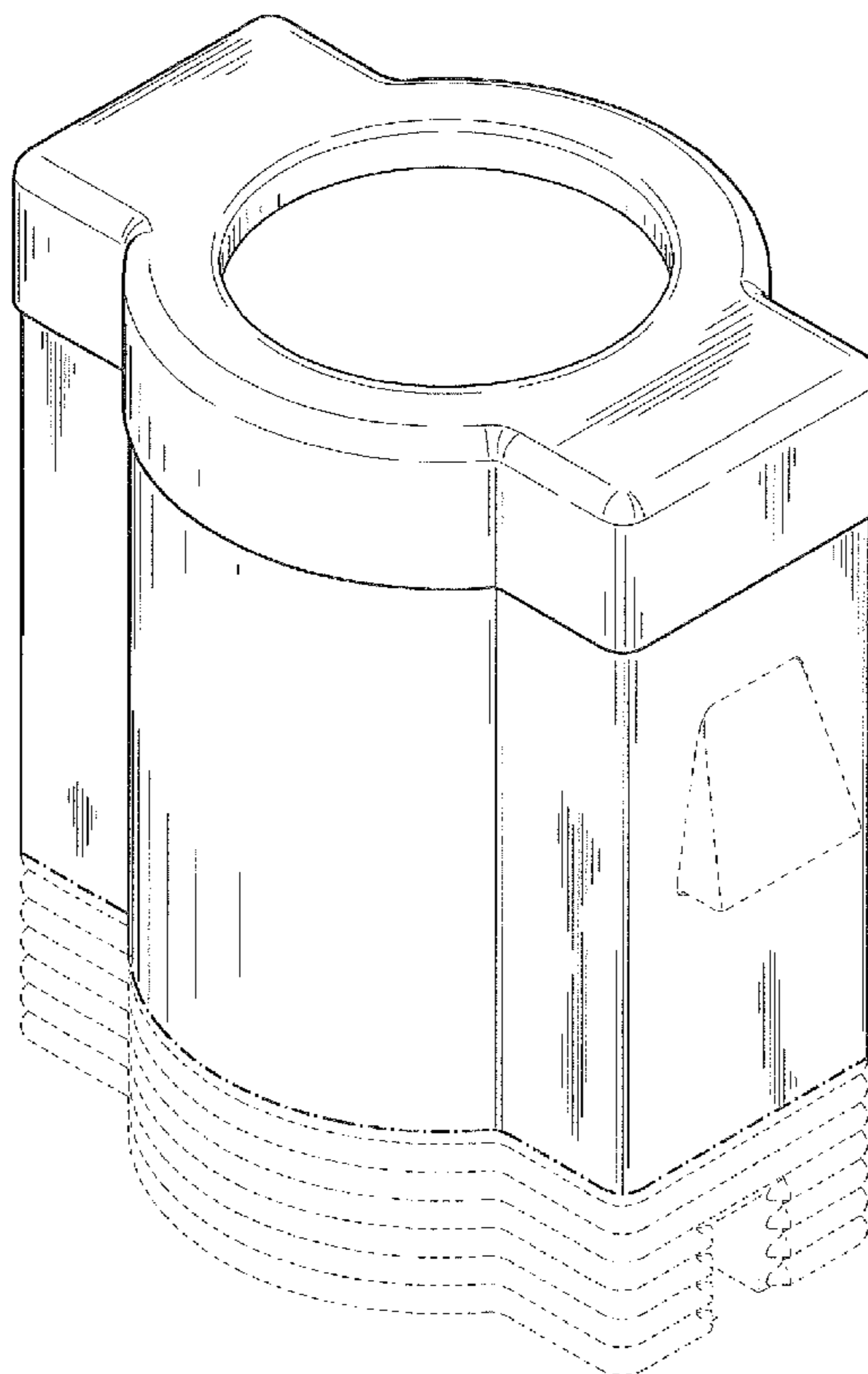
FIG. 4 is an enlarged right side elevational view thereof;

FIG. 5 is an enlarged left side elevational view thereof;

FIG. 6 is an enlarged top plan view thereof; and,

FIG. 7 is an enlarged bottom plan view thereof.

1 Claim, 5 Drawing Sheets



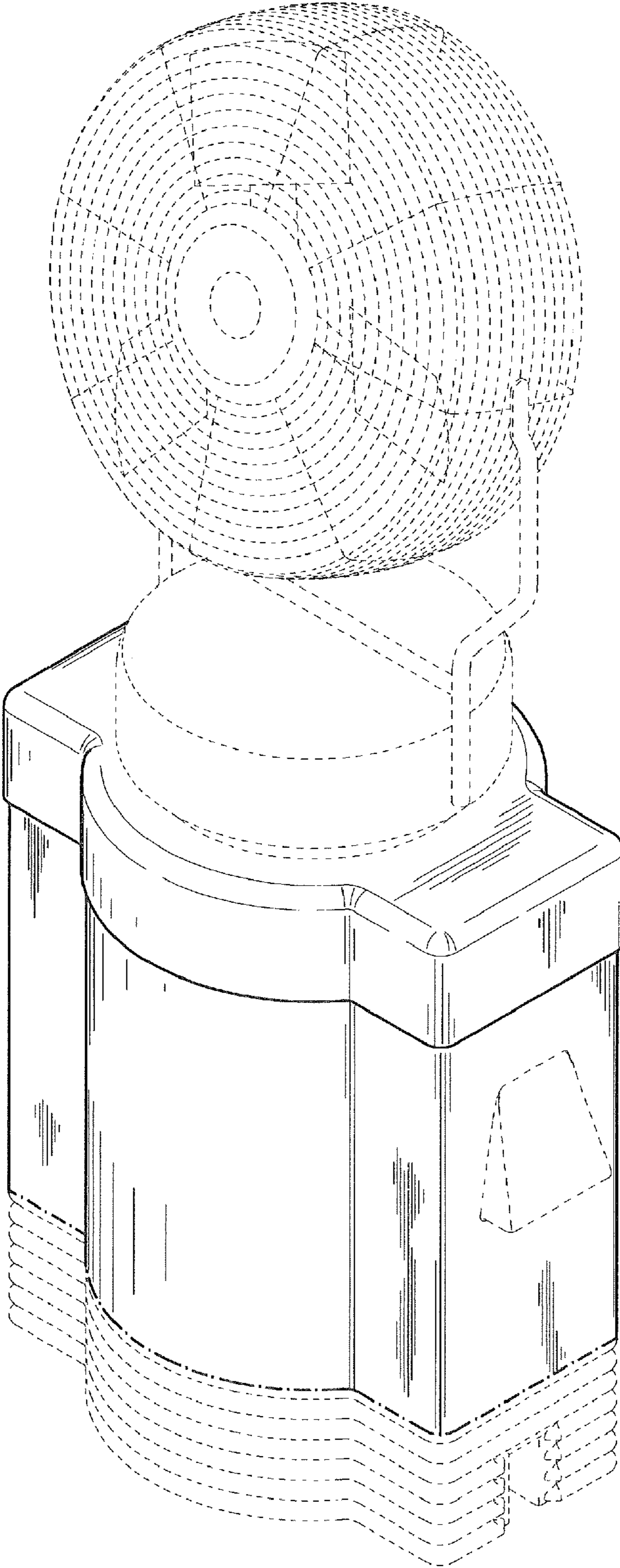


Fig. 1

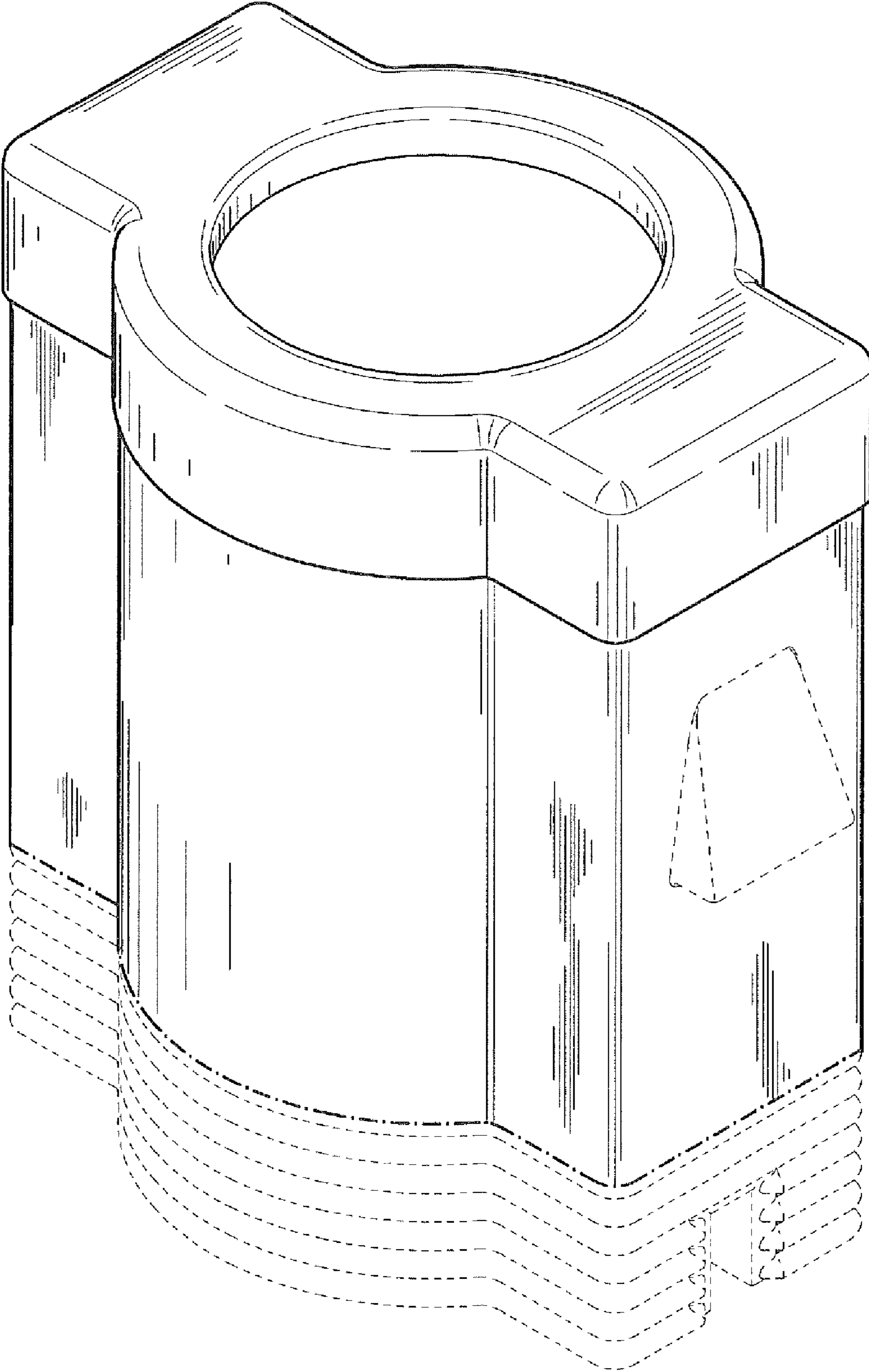


Fig. 2

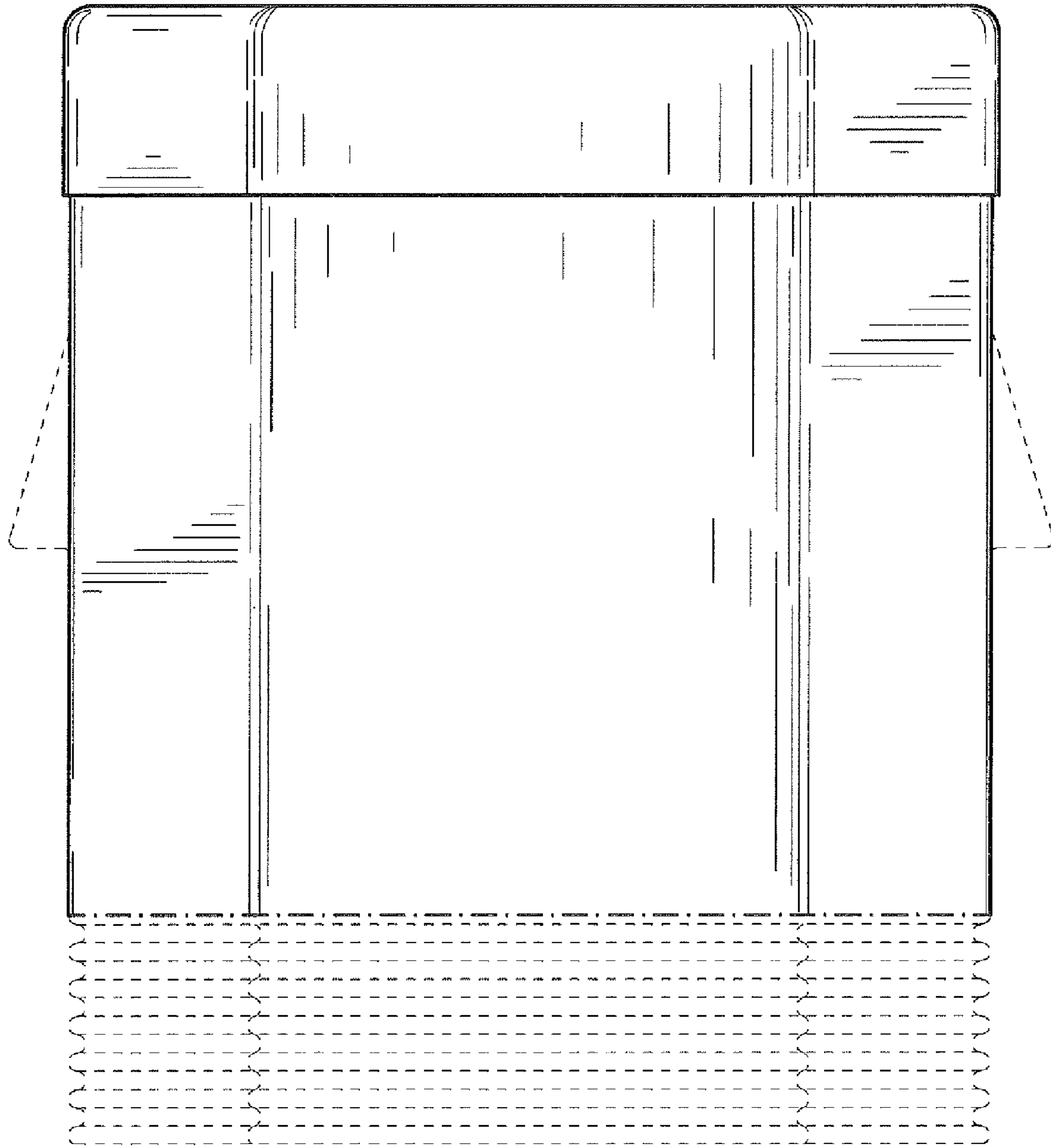


Fig. 3

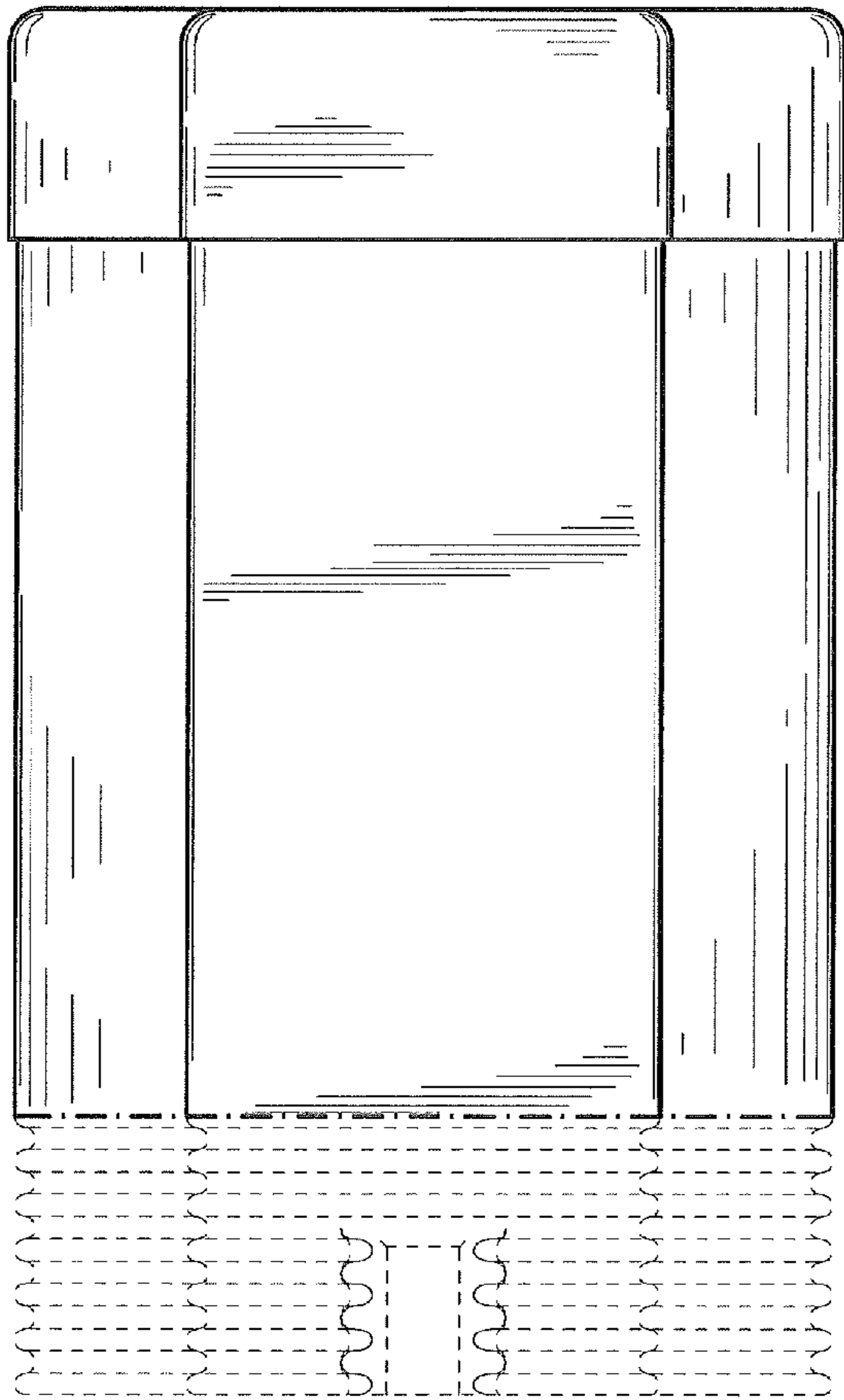


Fig. 4

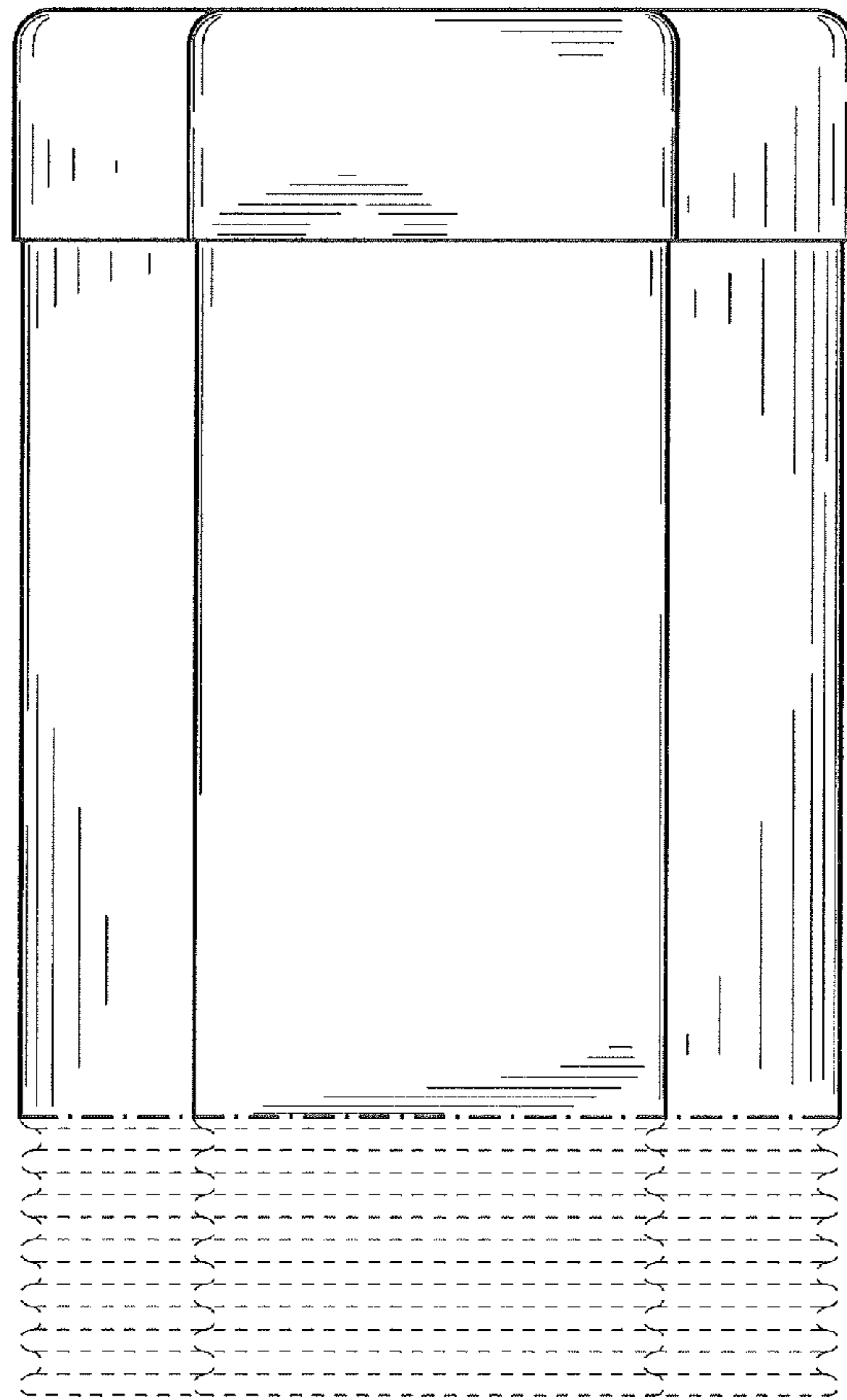


Fig. 5

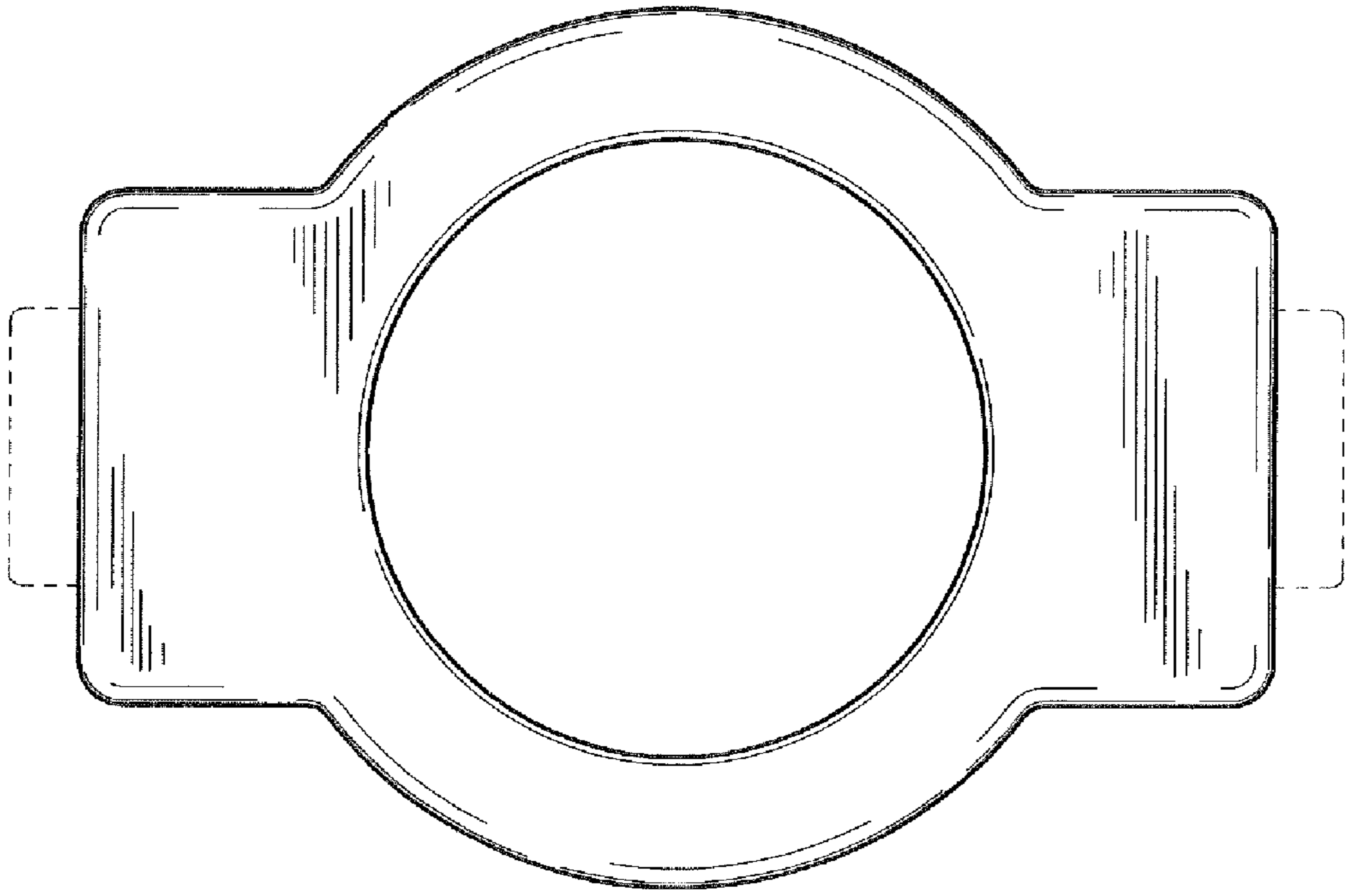


Fig. 6

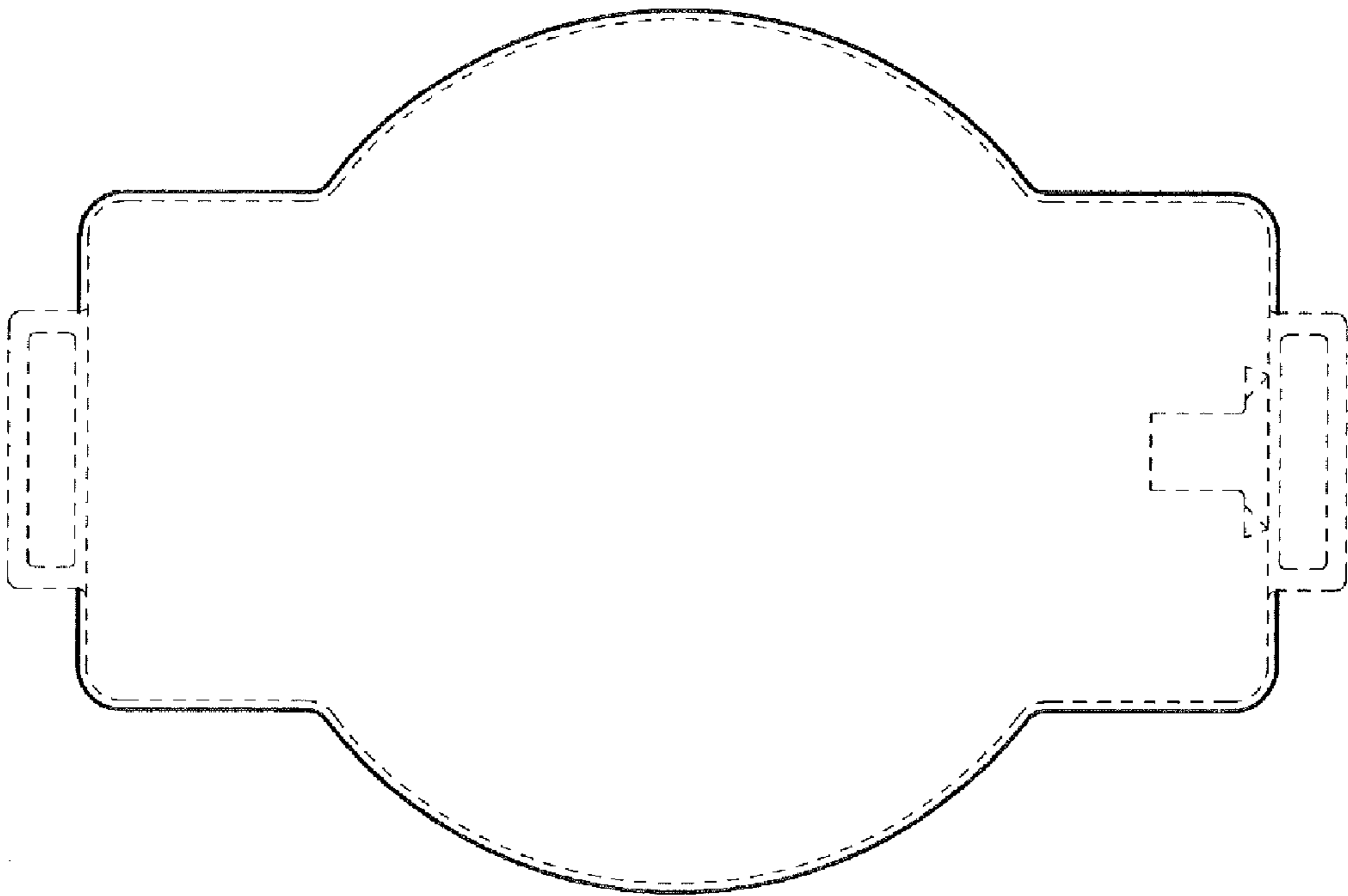


Fig. 7