



US00D620570S

(12) **United States Design Patent**  
**Thomas**

(10) **Patent No.:** **US D620,570 S**  
(45) **Date of Patent:** **\*\* Jul. 27, 2010**

(54) **LONG HEATER WITH CLOSURE**

(75) Inventor: **Stephane Thomas**, Annandale (AU)  
(73) Assignee: **Esmart Group Pty Limite**, Warriewood, NSW (AU)  
(\*\*) Term: **14 Years**  
(21) Appl. No.: **29/331,639**  
(22) Filed: **Jan. 29, 2009**

(30) **Foreign Application Priority Data**  
Jul. 29, 2008 (EM) ..... 000978655  
(51) **LOC (9) Cl.** ..... **23-03**  
(52) **U.S. Cl.** ..... **D23/342**  
(58) **Field of Classification Search** ..... D23/317,  
D23/314, 332, 333, 334, 335, 337, 342, 351,  
D23/355, 378, 370, 381, 364, 336, 341; 416/244 R,  
416/247 R, 53.1-53.3; 392/365, 367  
See application file for complete search history.

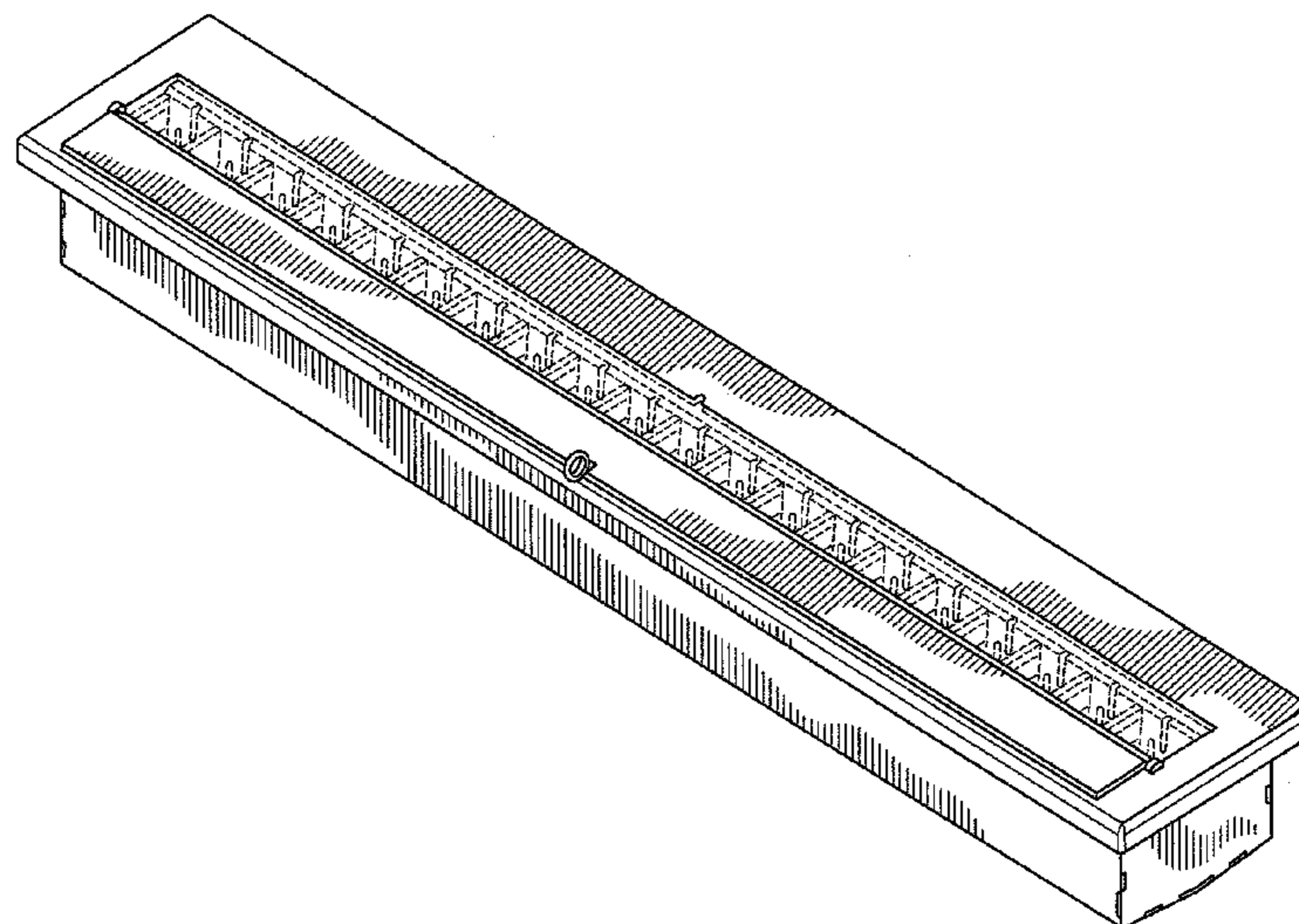
(56) **References Cited**  
U.S. PATENT DOCUMENTS  
D121,556 S \* 7/1940 Bancroft ..... D23/370  
D383,356 S \* 9/1997 Stuck ..... D7/407  
\* cited by examiner  
*Primary Examiner*—T. Chase Nelson  
*Assistant Examiner*—Ania K Dworzecka  
(74) *Attorney, Agent, or Firm*—Millen, White, Zelano & Branigan, P.C.

(57) **CLAIM**  
I claim, the ornamental design for a long heater with closure, as shown and described.

**DESCRIPTION**

FIG. 1 is a top perspective view of the long heater with a closure showing the closure open;  
FIG. 2 is a top perspective view of the long heater with a closure showing the closure closed;  
FIG. 3 is a top view of the long heater with a closure showing the closure open;  
FIG. 4 is a top view of the long heater with a closure showing the closure closed;  
FIG. 5 is a front view of the long heater with a closure showing the closure open;  
FIG. 6 is a front view of the long heater with a closure showing the closure closed;  
FIG. 7 is a side view of a first side of the long heater with a closure showing the closure open;  
FIG. 8 is a side view of the first side of the long heater with a closure showing the closure closed;  
FIG. 9 is a side view of the second side of the long heater with a closure showing the closure open;  
FIG. 10 is a side view of the second side of the long heater closure showing the closure closed;  
FIG. 11 is a rear view of the long heater with a closure showing the closure open;  
FIG. 12 is a rear view of the long heater with a closure showing the closure closed;  
FIG. 13 is a bottom perspective view of the long heater with a closure showing the closure open;  
FIG. 14 is a bottom perspective view of the long heater with a closure showing the closure closed;  
FIG. 15 is a bottom view of the long heater with a closure when the closure is open; and,  
FIG. 16 is a bottom view of the long heater with a closure when the closure is closed.  
The broken lines depict portions of the long heater with closure that form no part of the claimed design.

**1 Claim, 9 Drawing Sheets**



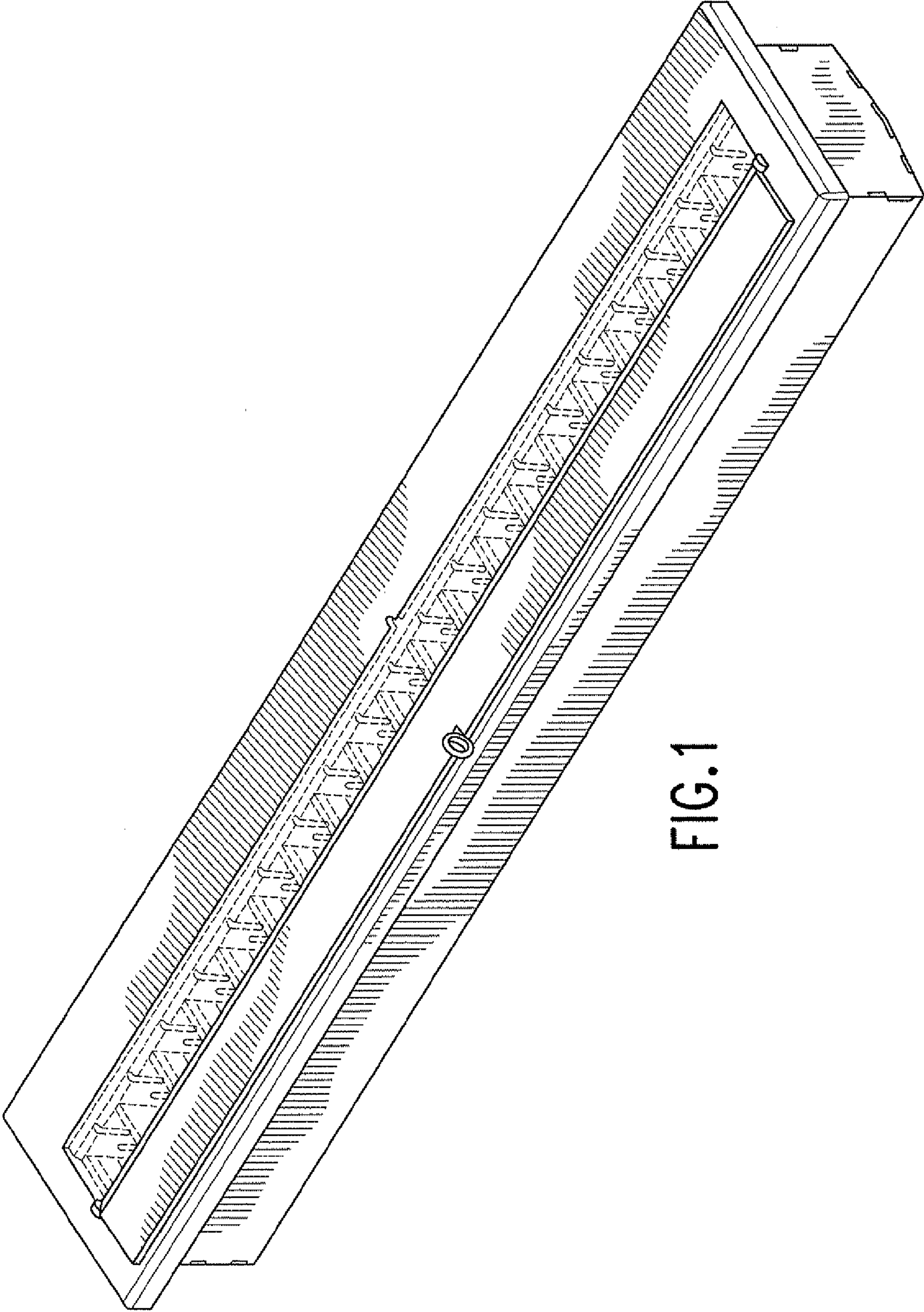


FIG.1

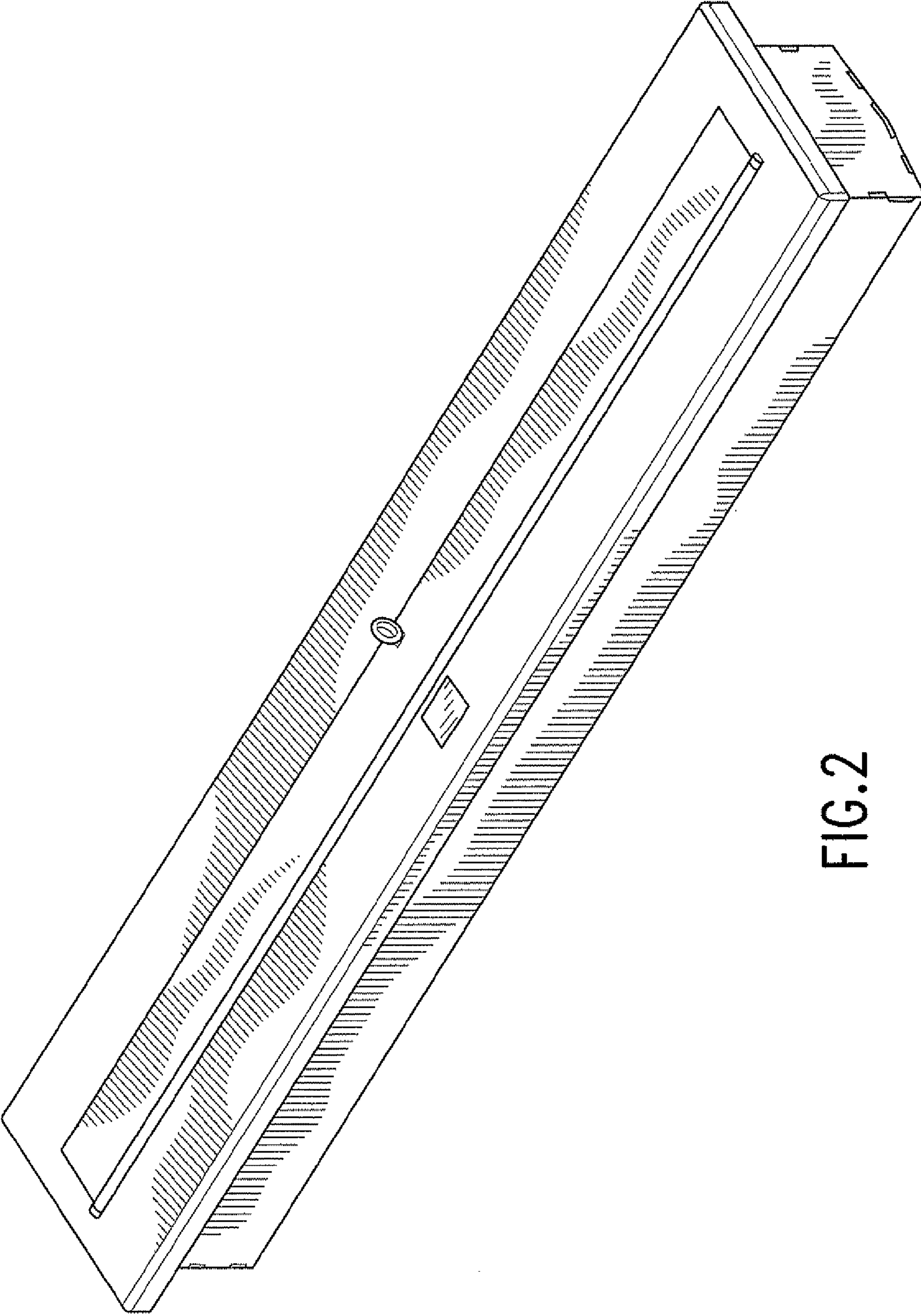


FIG. 2

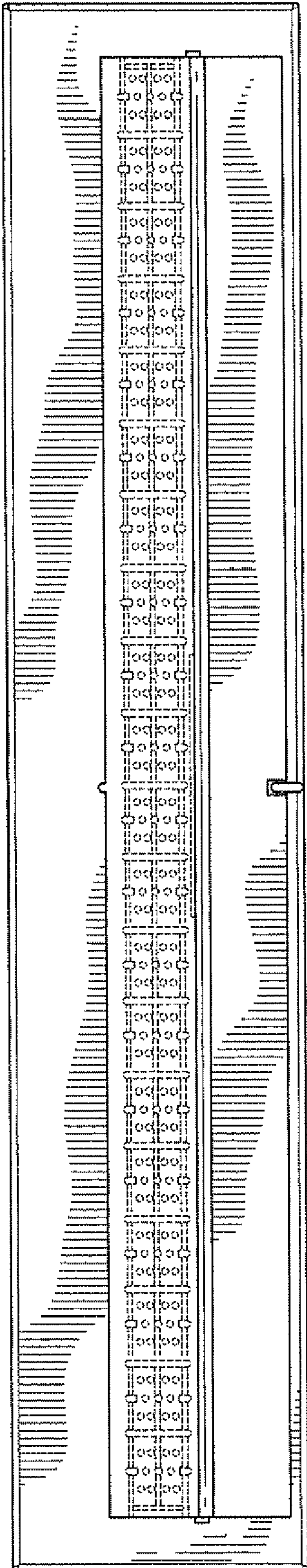


FIG. 3

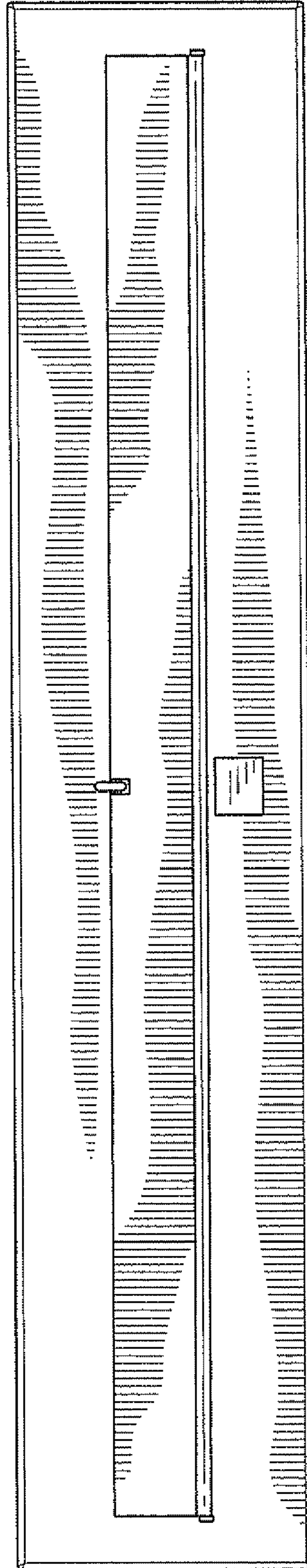


FIG. 4

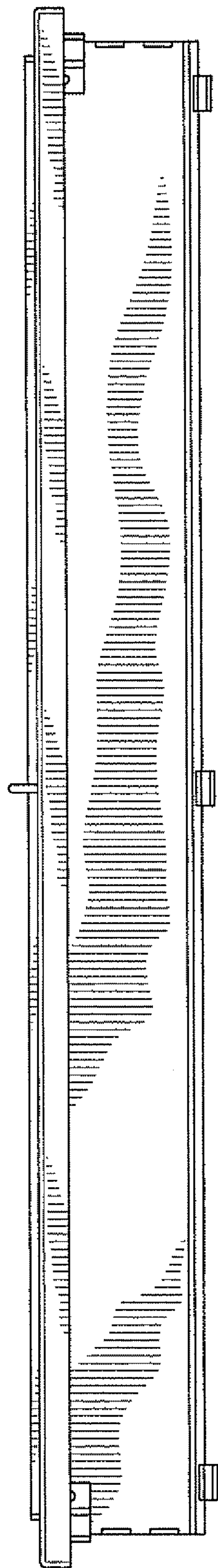


FIG. 5

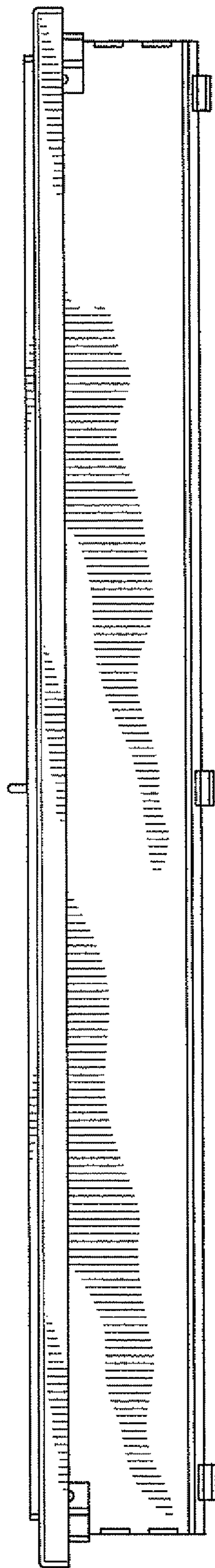


FIG. 6

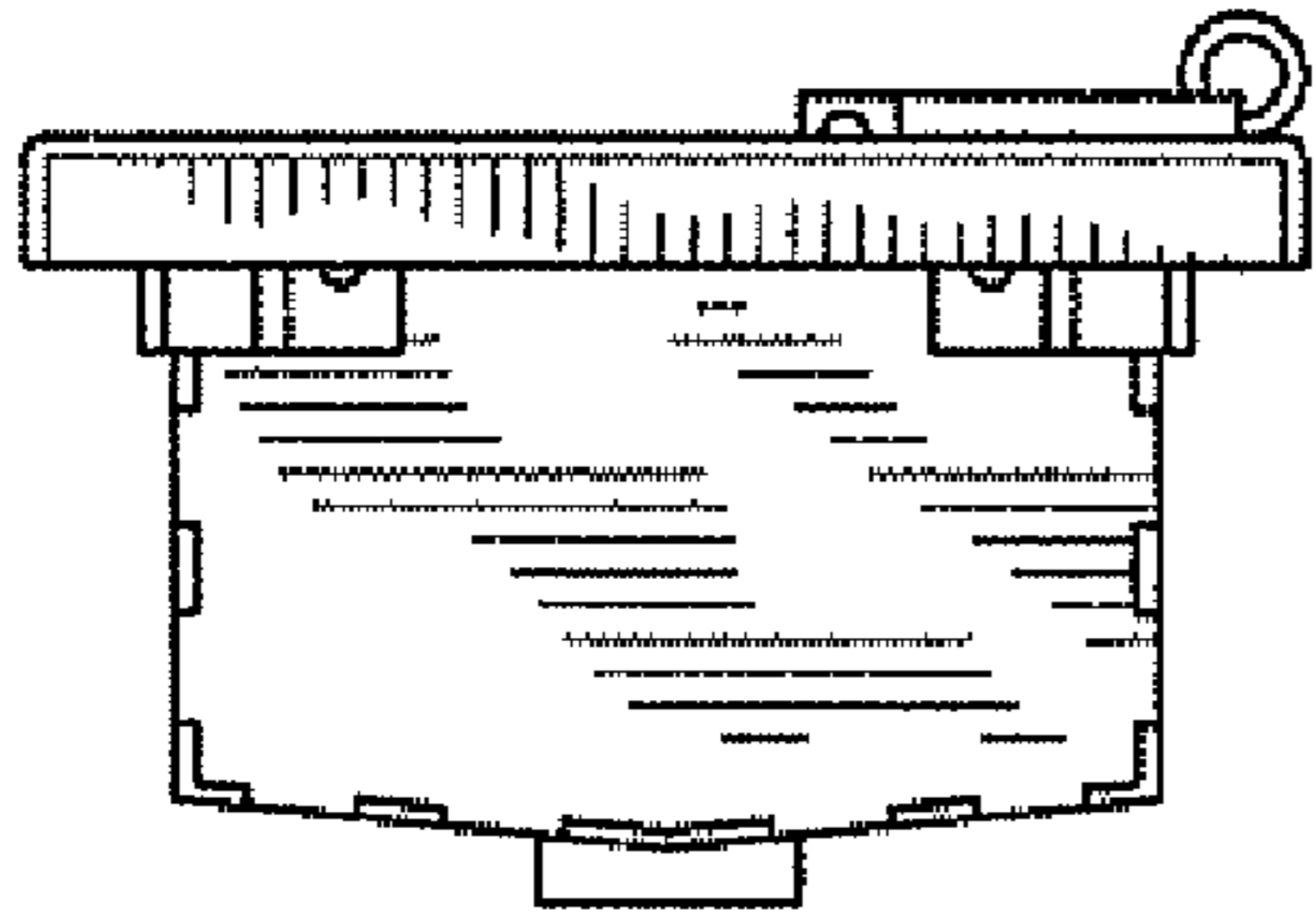


FIG. 7

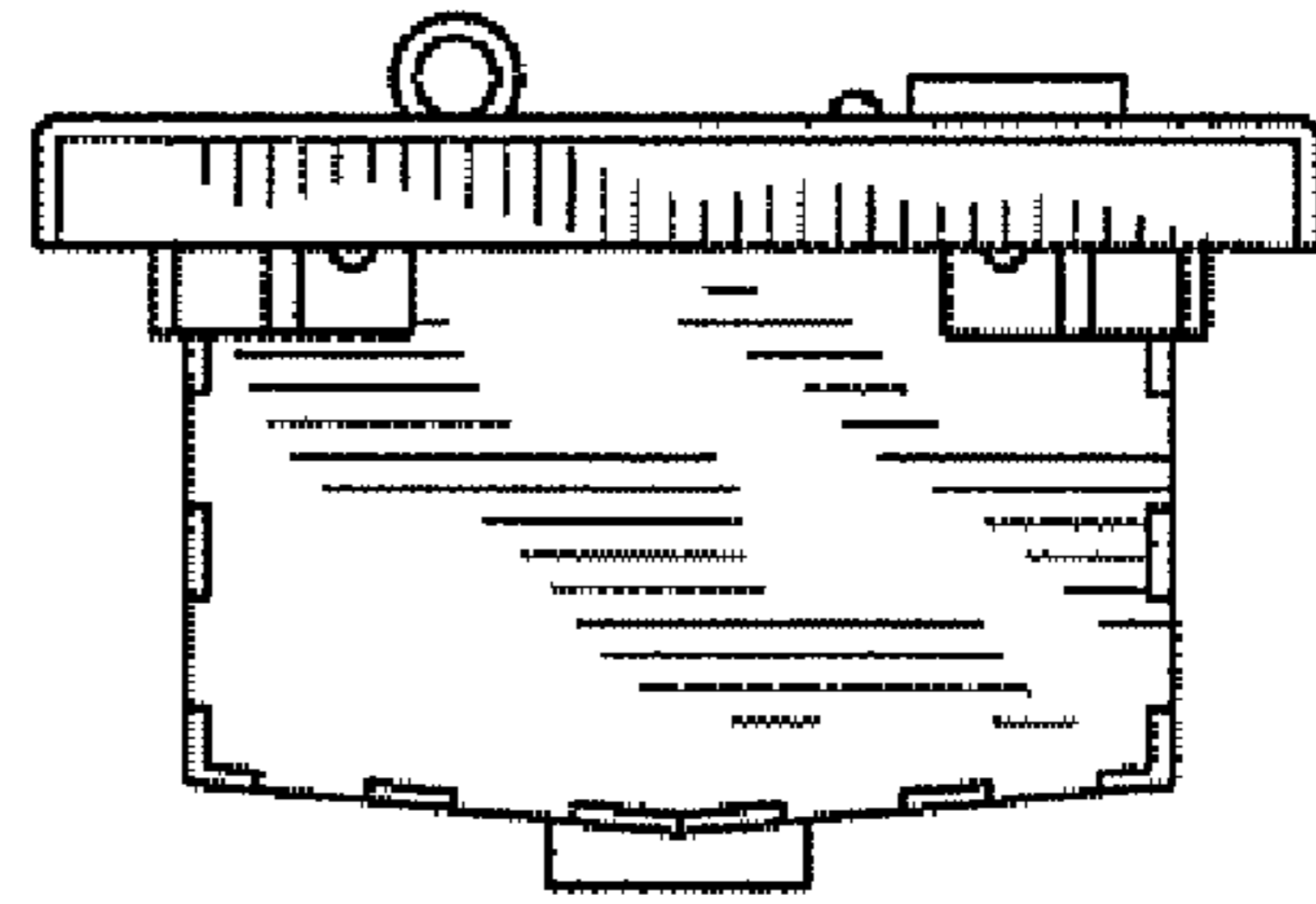


FIG. 8

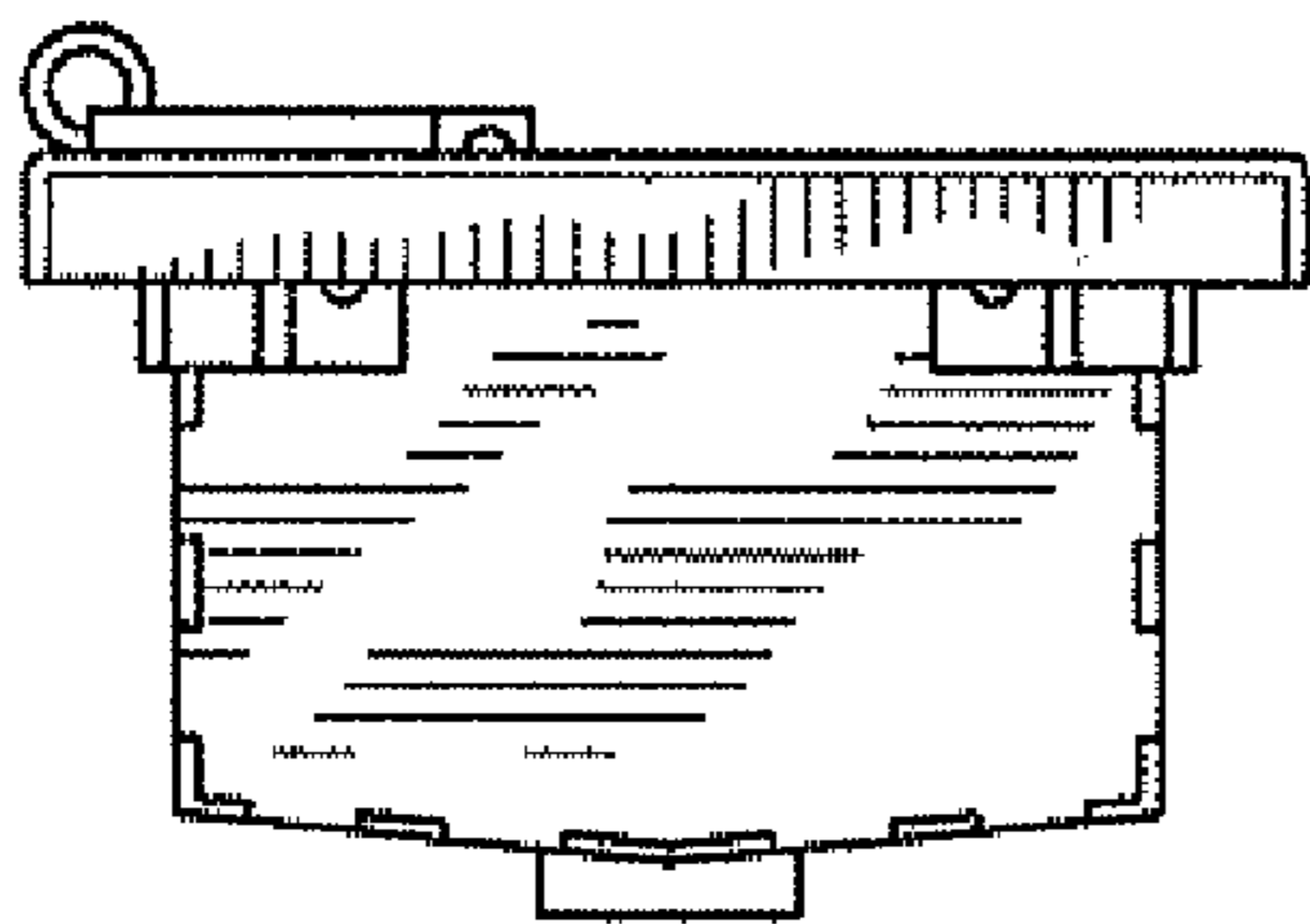


FIG. 9

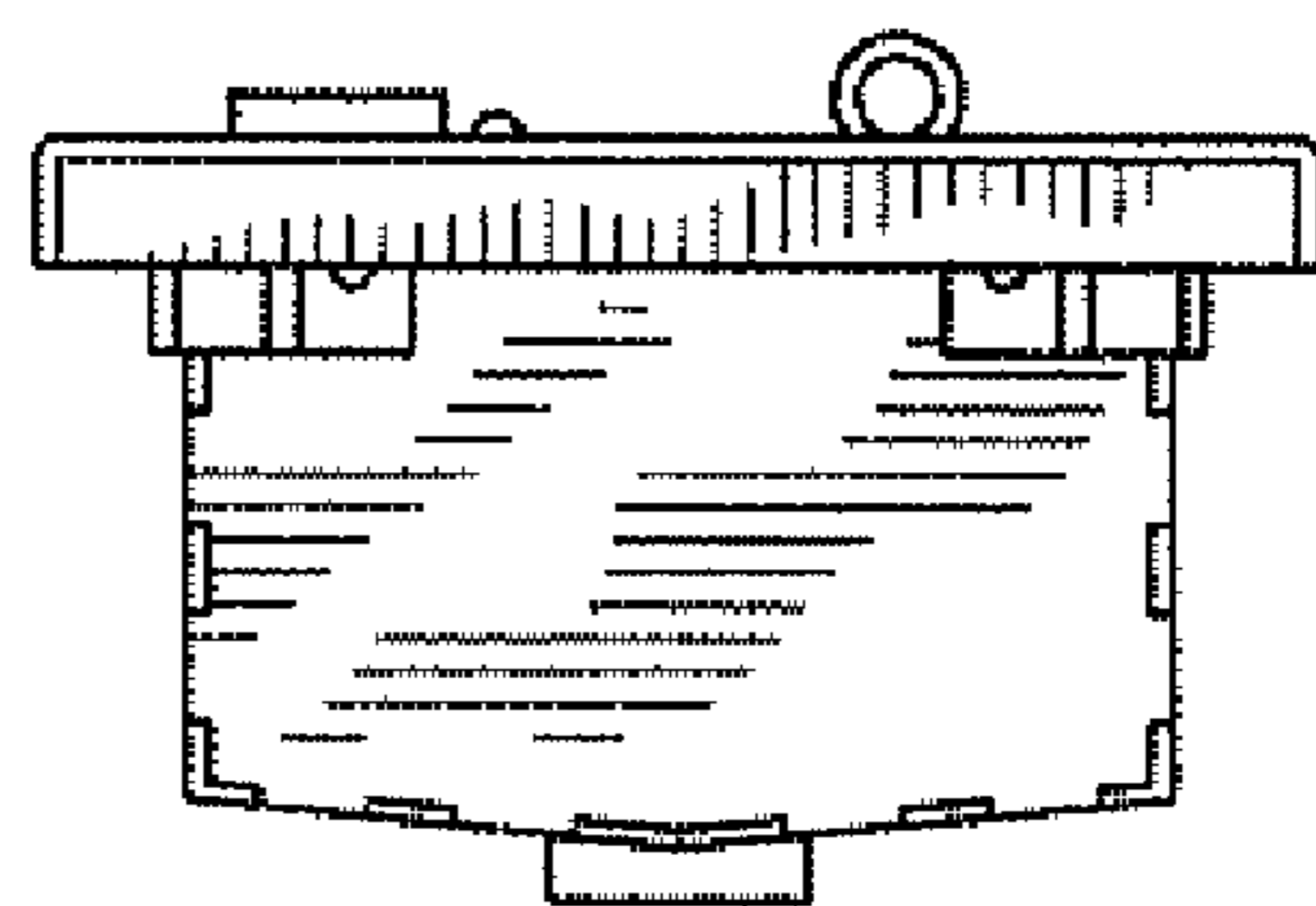


FIG. 10

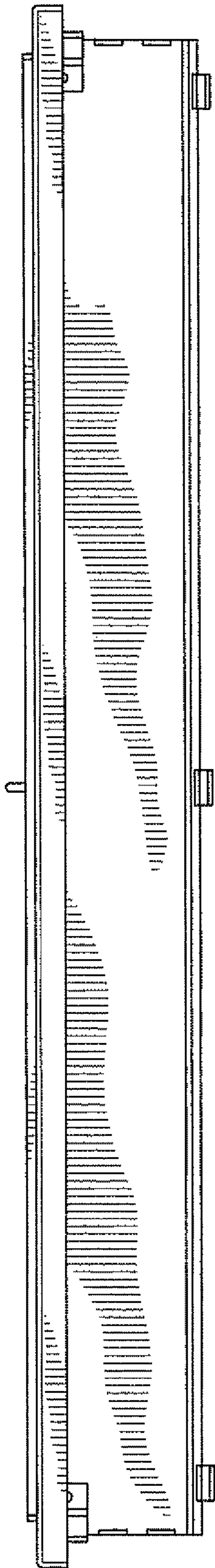


FIG. 11

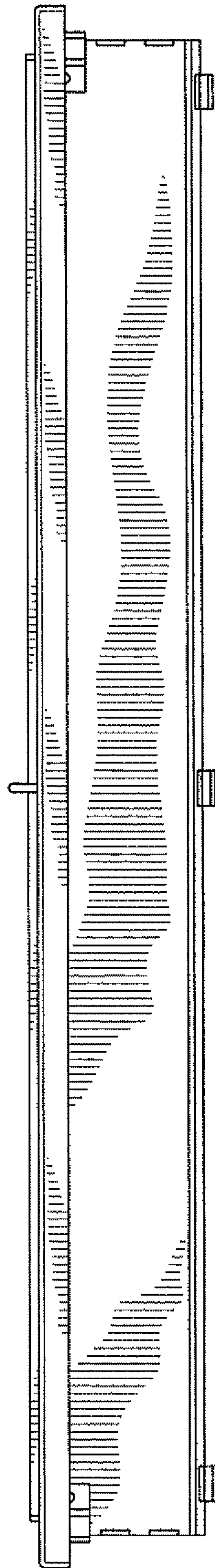


FIG. 12

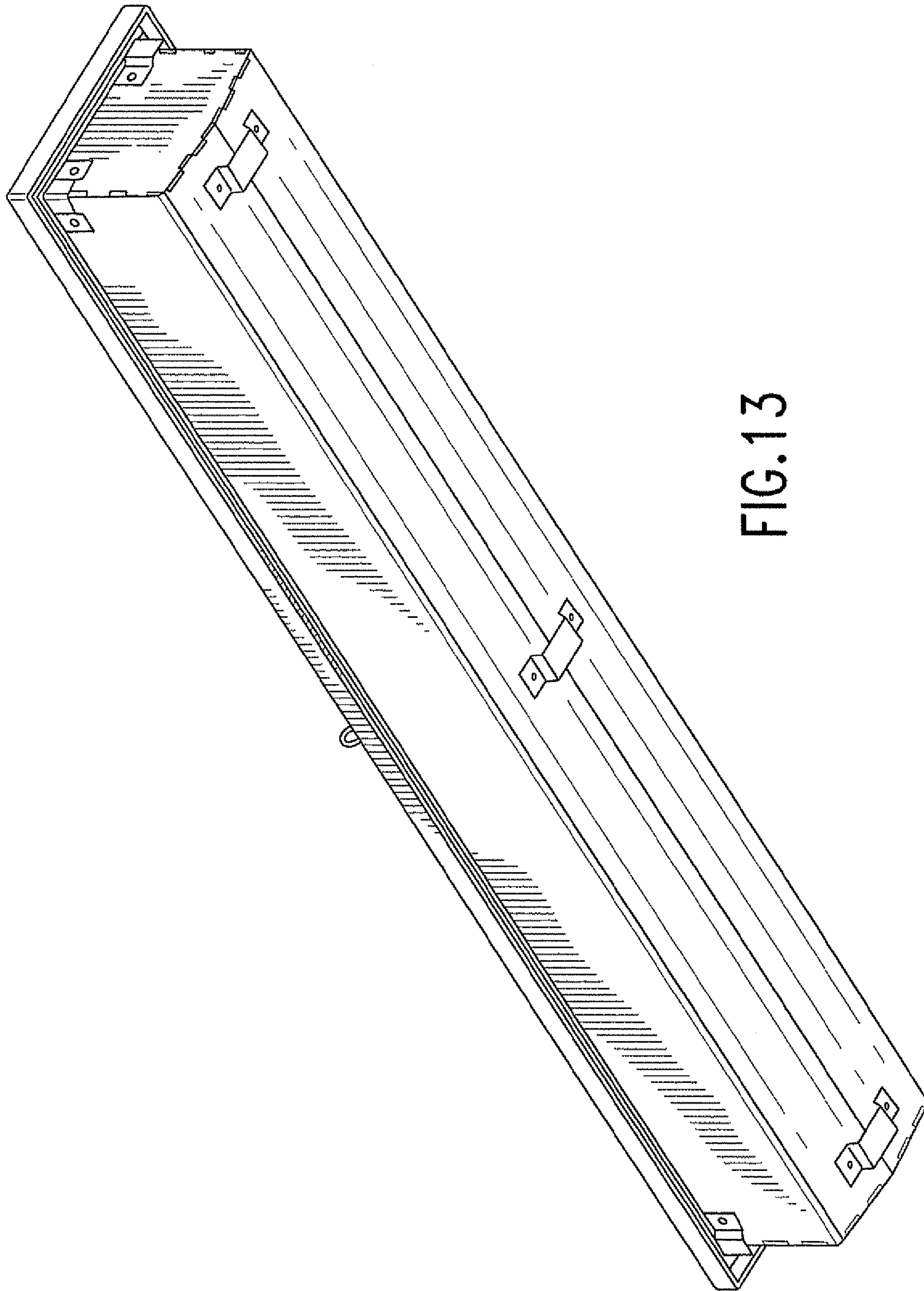


FIG.13



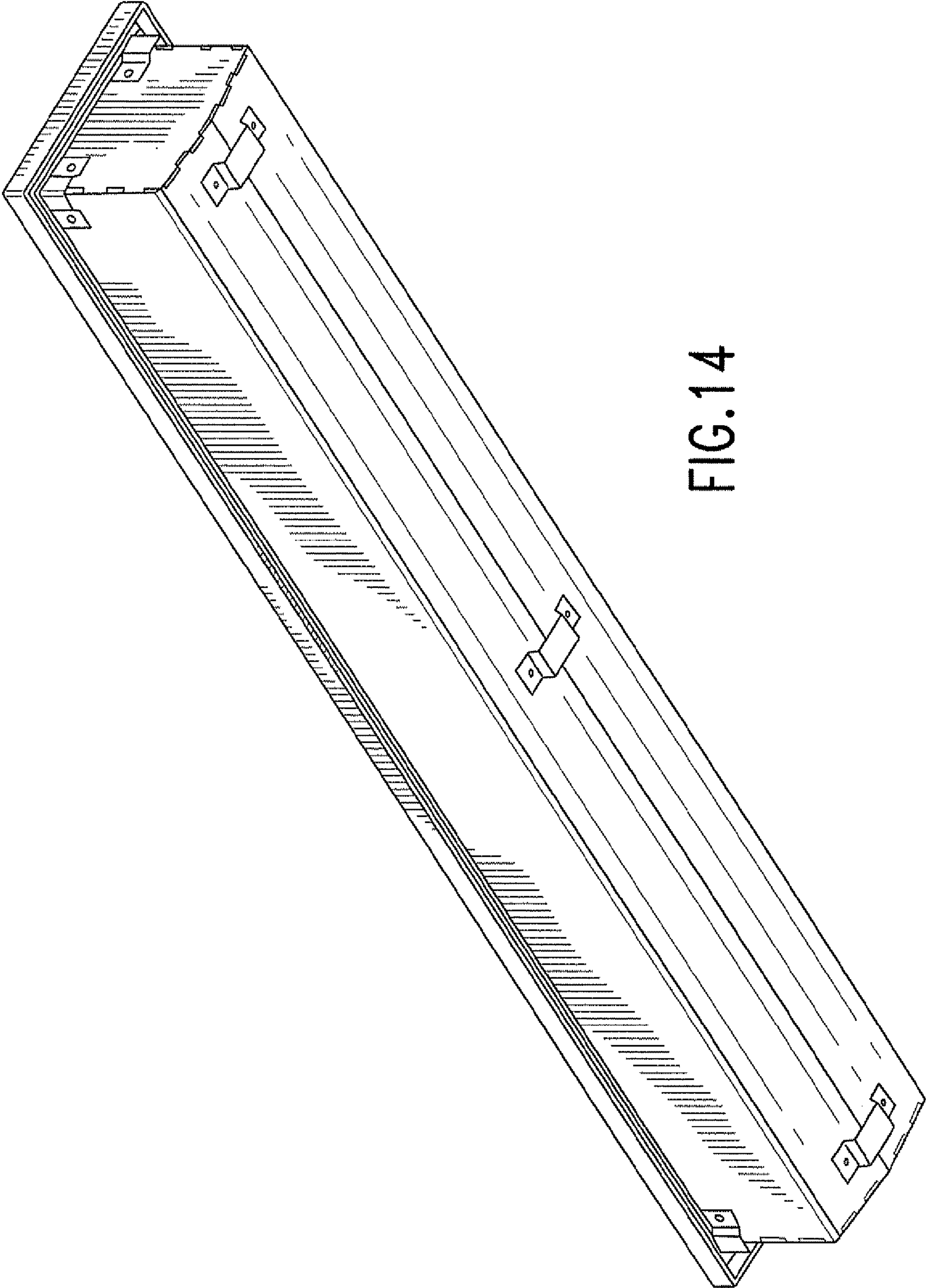


FIG.14

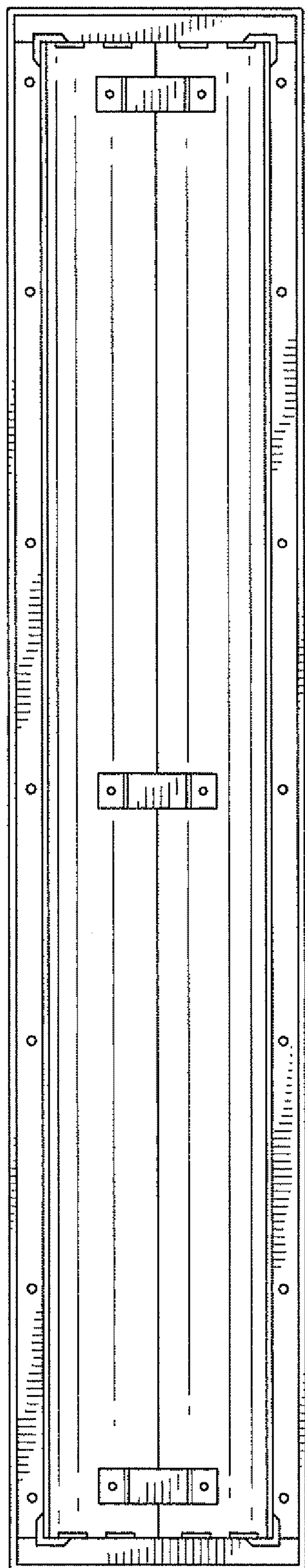


FIG. 15

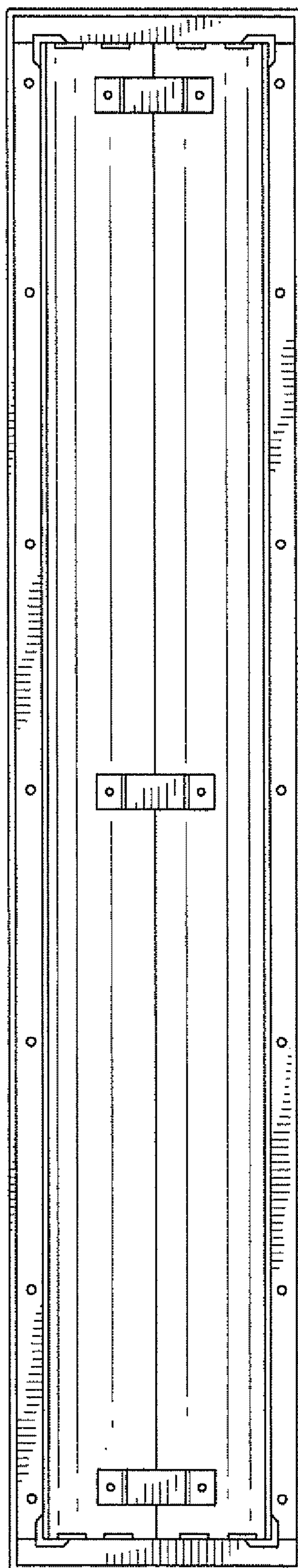


FIG. 16