



US00D620569S

(12) **United States Design Patent**
Hall, Jr. et al.

(10) **Patent No.:** **US D620,569 S**
(45) **Date of Patent:** **** Jul. 27, 2010**

(54) **SQUARE FLAME BURNER WITH WHEELS**

(75) Inventors: **Edwin L. Hall, Jr.**, Amelia Island, FL (US); **Hampton Hollis Tanner**, Amelia Island, FL (US)

(73) Assignee: **Well Traveled Living**, Amelia Island, FL (US)

(**) Term: **14 Years**

(21) Appl. No.: **29/357,122**

(22) Filed: **Mar. 8, 2010**

(51) **LOC (9) Cl.** **23-03**

(52) **U.S. Cl.** **D23/332; D23/317; D23/314**

(58) **Field of Classification Search** D23/323,
D23/328, 332, 336, 339, 342, 386, 338; 126/25 R,
126/67, 92 A, 92 B, 9 A; 362/92, 217, 253;
431/331, 344

See application file for complete search history.

(56) **References Cited**

U.S. PATENT DOCUMENTS

D325,963 S *	5/1992	Anderson	D23/342
D429,324 S *	8/2000	Olson et al.	D23/342
D446,290 S *	8/2001	Jeng	D23/328
D462,426 S *	9/2002	Jeng	D23/328
D462,427 S *	9/2002	Jeng	D23/328
D465,836 S *	11/2002	Smith et al.	D23/342
D474,532 S *	5/2003	Chan et al.	D23/336
D486,211 S *	2/2004	Chan et al.	D23/332
D563,537 S *	3/2008	McColgin et al.	D23/317
D567,916 S *	4/2008	McColgin et al.	D23/317
D603,030 S *	10/2009	Pleuger	D23/317
D608,431 S *	1/2010	Wang	D23/332
2008/0152329 A1 *	6/2008	Saunders et al.	392/407

* cited by examiner

Primary Examiner—T. Chase Nelson
Assistant Examiner—Ania K Dworzecka
(74) *Attorney, Agent, or Firm*—Lau & Associates

(57) **CLAIM**

The ornamental design for a square flame burner with wheels, as shown and described.

DESCRIPTION

FIG. 1 is a perspective view of a square flame burner with wheels having a front door with a door knob and the front door is in a closed position;

FIG. 2 is a perspective view of a square flame burner with wheels having a front door with a door knob and the front door is in an opened position;

FIG. 3 is a perspective view of an alternative square flame burner with wheels having a side door in a closed position instead of a front door with a knob;

FIG. 4 is a perspective view of an alternative square flame burner with wheels having a side door in a popped out position instead of a front door with a knob;

FIG. 5 is a front view of a square flame burner with wheels having a front door with a door knob;

FIG. 6 is a first side view of a square flame burner with wheels having a front door with a door knob;

FIG. 7 is a rear view of a square flame burner with wheels having either a front door with a door knob or a side door;

FIG. 8 is a second side view of a square flame burner with wheels having a front door with a door knob;

FIG. 9 is a top view of a square flame burner with wheels having either a front door with a door knob or a side door; and,

FIG. 10 is a bottom view of a a square flame burner with wheels having either a front door with a door knob or a side door.

1 Claim, 9 Drawing Sheets

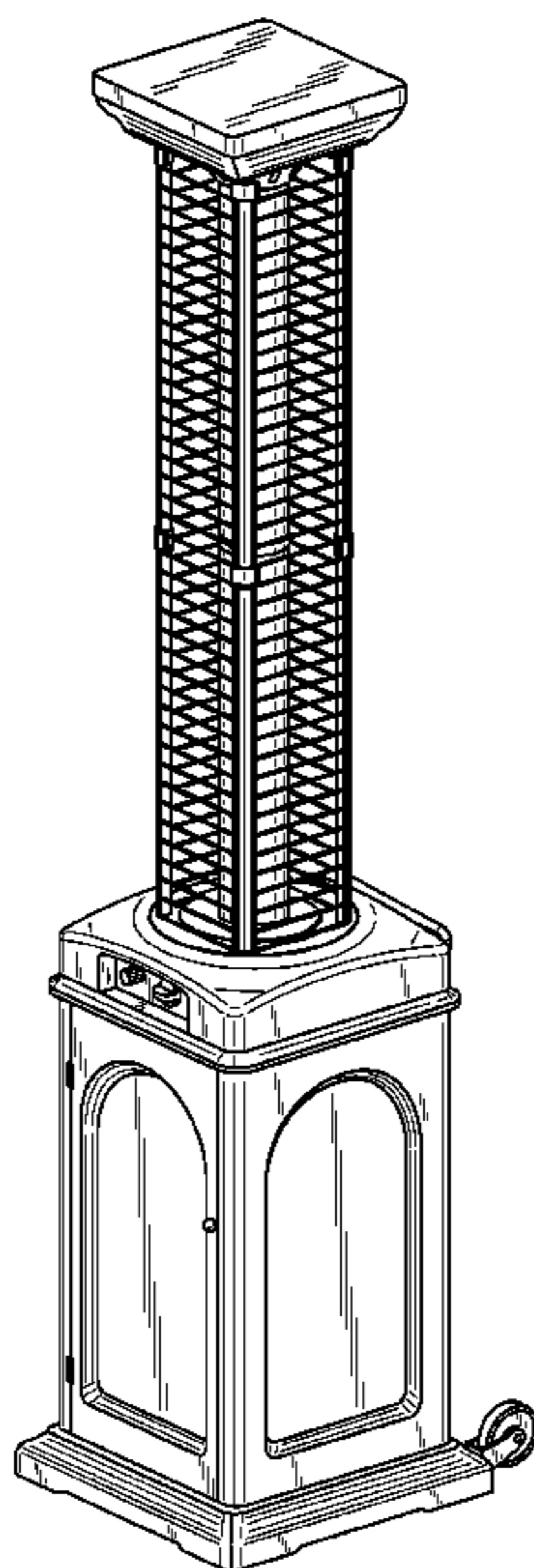


FIG. 1

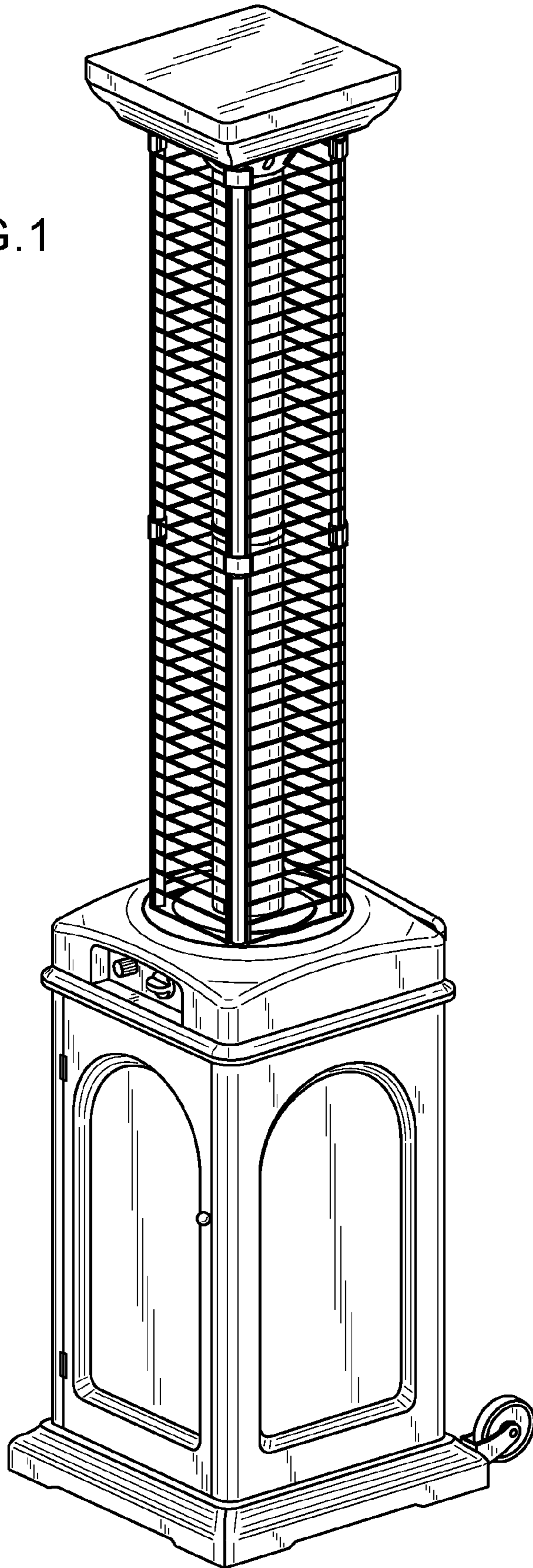


FIG.2

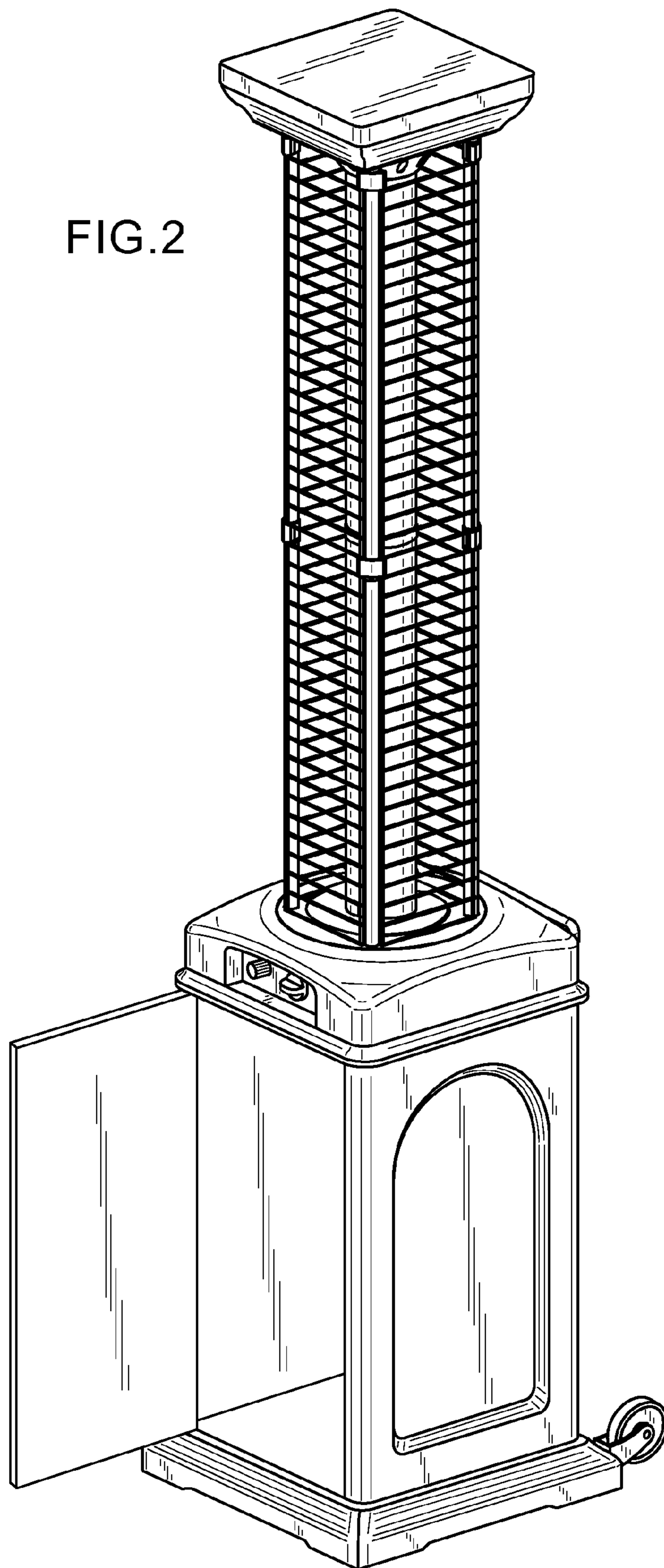


FIG.3

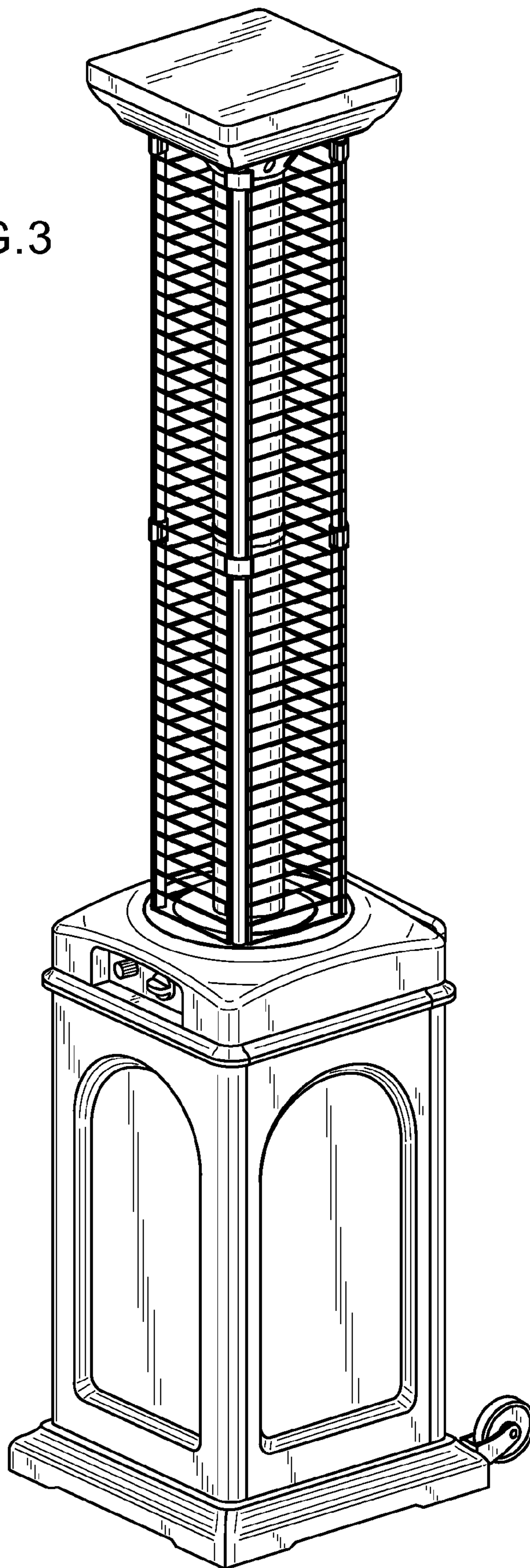


FIG.4

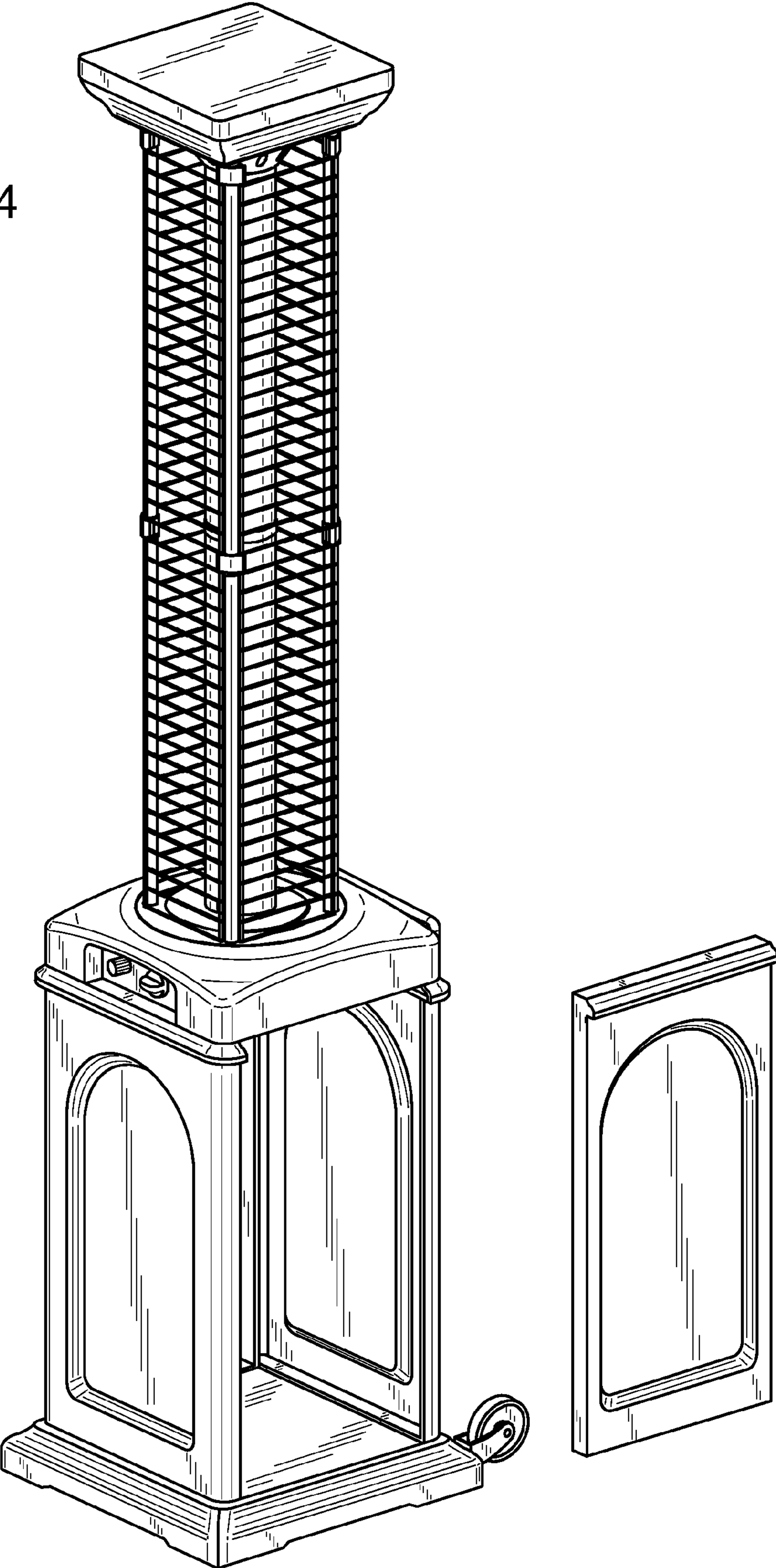
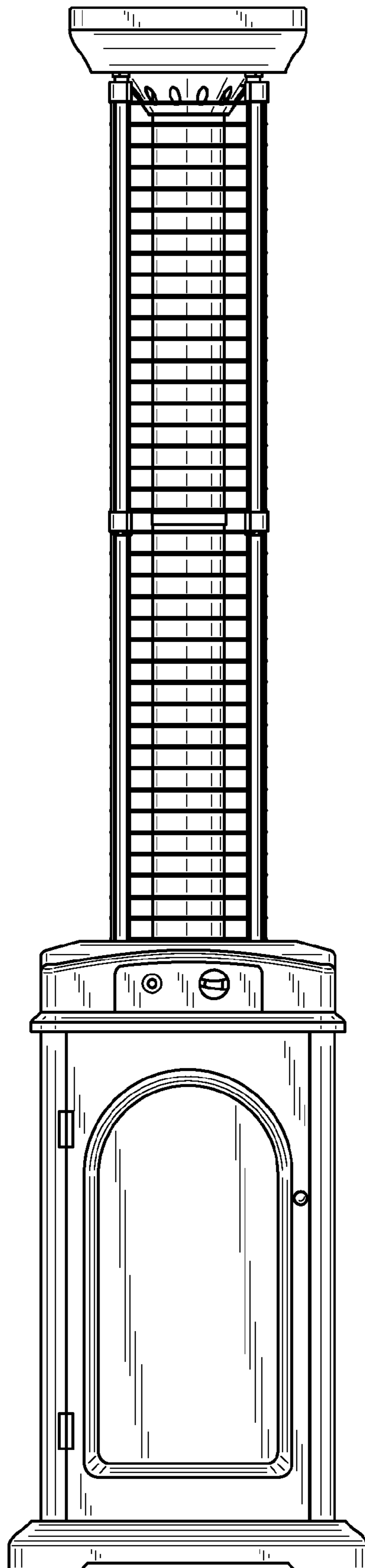


FIG. 5



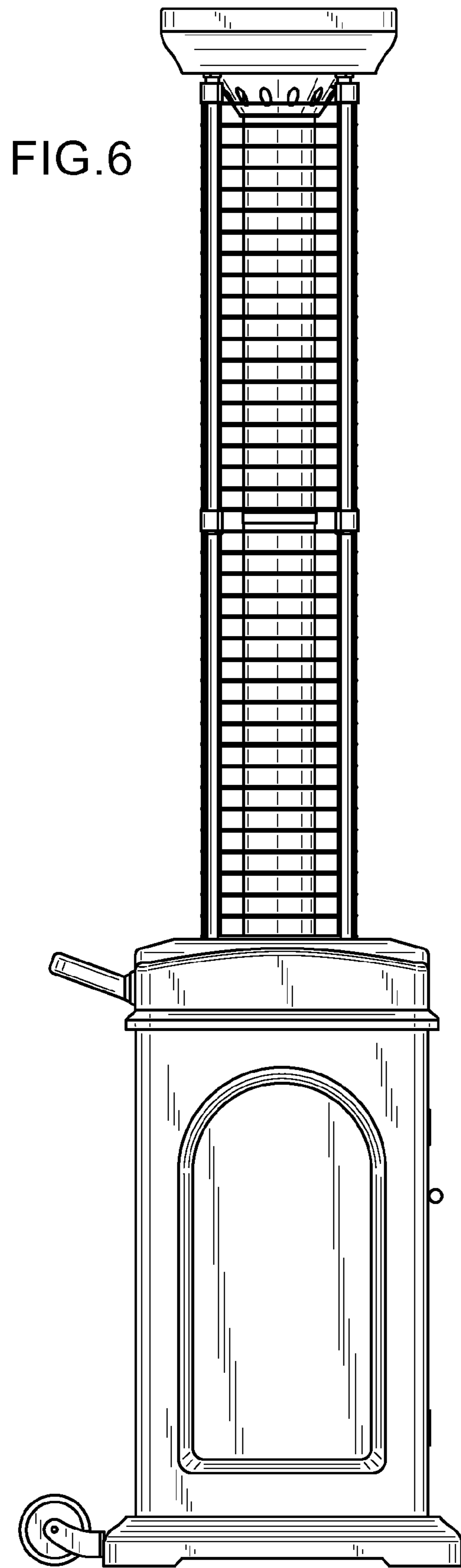


FIG. 6

FIG.7

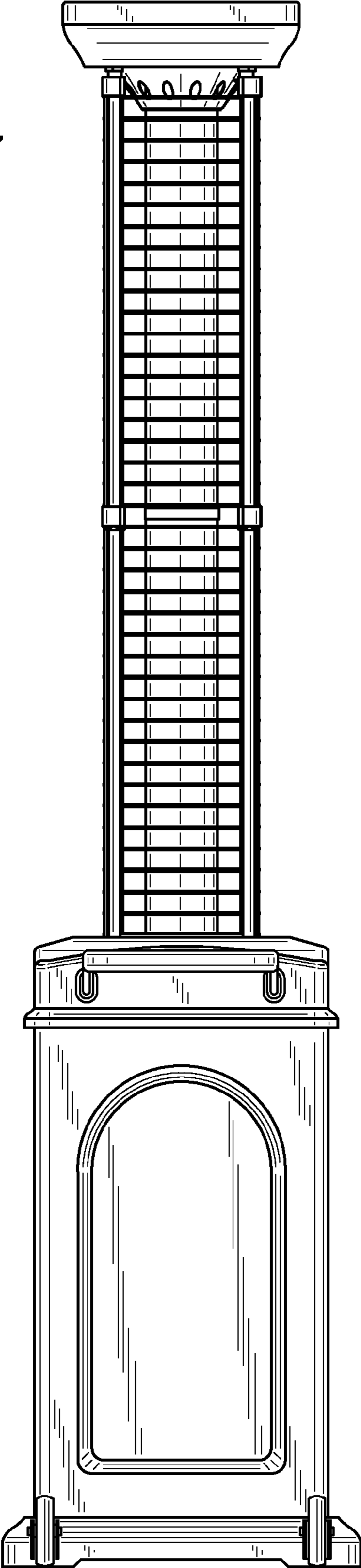


FIG. 8

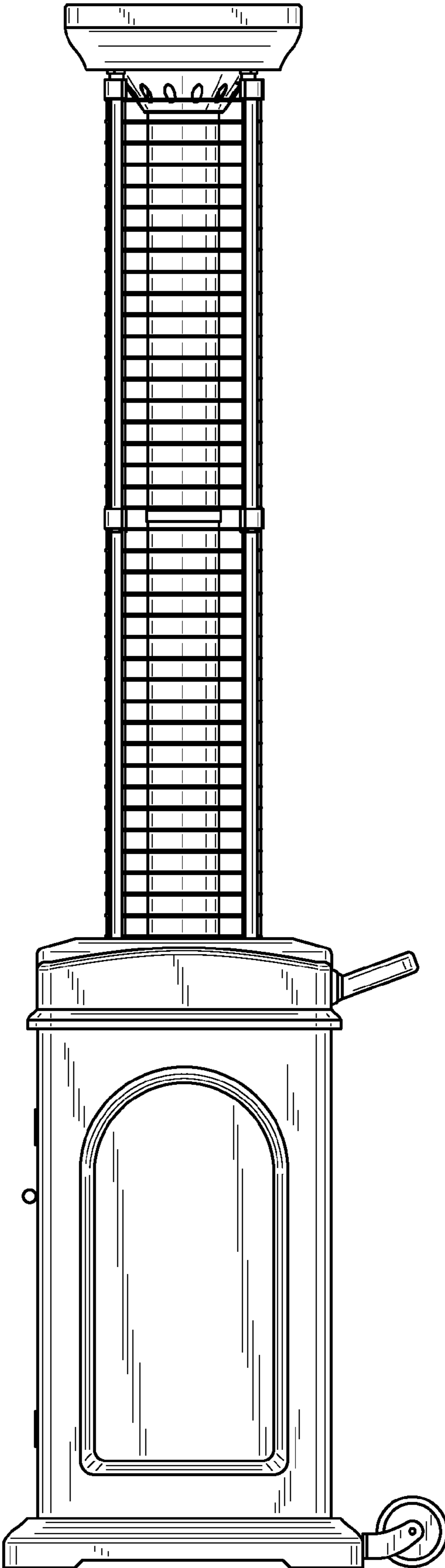


FIG.9

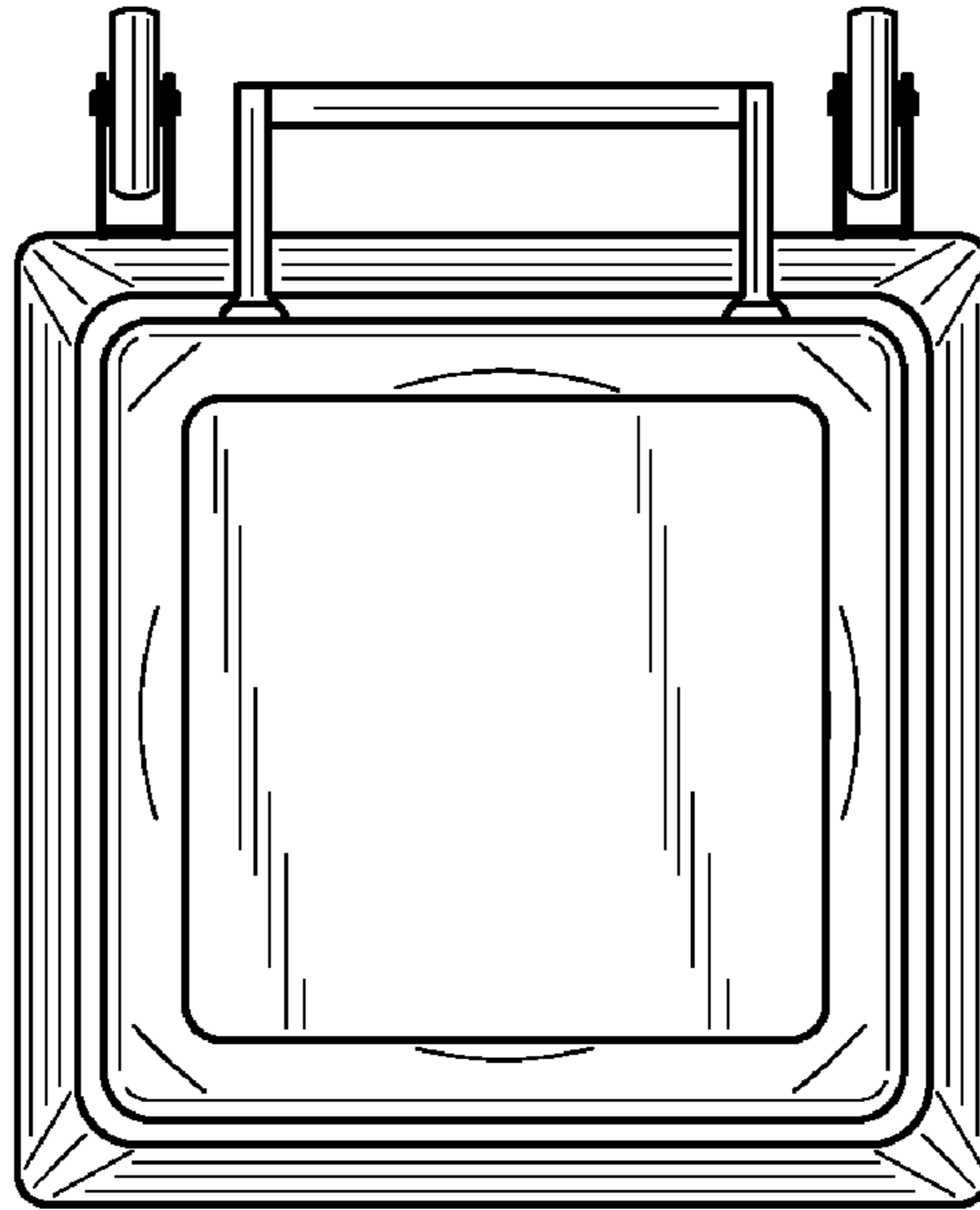


FIG.10

