



US00D620566S

(12) **United States Design Patent**
Ogata et al.

(10) **Patent No.:** **US D620,566 S**
(45) **Date of Patent:** **** Jul. 27, 2010**

(54) **WATER CLOSET**

D610,241 S * 2/2010 Giovannoni D23/295

(75) Inventors: **Rina Ogata**, Kitakyushu (JP); **Yasushi Takahashi**, Kitakyushu (JP); **Hiroyuki Takeuchi**, Kitakyushu (JP)

* cited by examiner

Primary Examiner—Robert A Delehanty
(74) *Attorney, Agent, or Firm*—Birch, Stewart, Kolasch & Birch, LLP

(73) Assignee: **Toto Ltd.**, Kitakyushu-Shi (JP)

(57) **CLAIM**

(**) Term: **14 Years**

The ornamental design for a water closet, as shown and described.

(21) Appl. No.: **29/346,126**

(22) Filed: **Oct. 27, 2009**

DESCRIPTION

(30) **Foreign Application Priority Data**

Apr. 28, 2009 (JP) 2009-009853

FIG. 1 is a perspective view of the top, front and right side of a water closet showing our new design;

(51) **LOC (9) Cl.** **23-02**

(52) **U.S. Cl.** **D23/301**

(58) **Field of Classification Search** D23/273-274,
D23/295, 301, 303, 309, 313; 4/300, 329,
4/353, 420

FIG. 2 is a front view thereof;

FIG. 3 is a rear view thereof;

FIG. 4 is a left side view thereof;

FIG. 5 is a right side view thereof;

FIG. 6 is a top plan view thereof;

FIG. 7 is a bottom view thereof; and,

FIG. 8 is a perspective view of the top, front and right side thereof with the lid in open condition.

See application file for complete search history.

The portion of the article in broken lines are shown for illustrative purposes only and form no part of the claimed design.

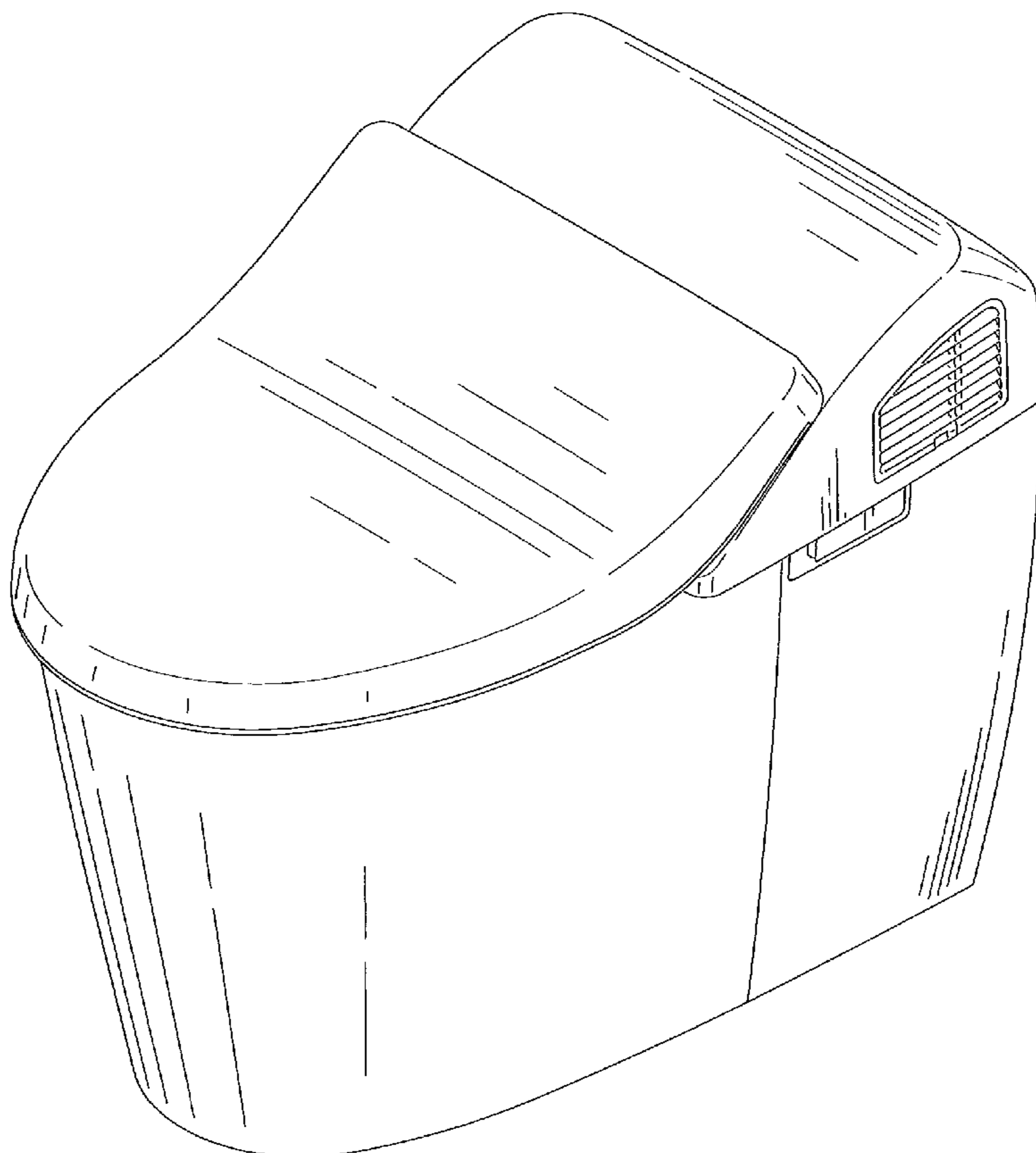
(56) **References Cited**

U.S. PATENT DOCUMENTS

D583,030 S * 12/2008 Kobayashi et al. D23/295

D608,426 S * 1/2010 Ando et al. D23/295

1 Claim, 8 Drawing Sheets



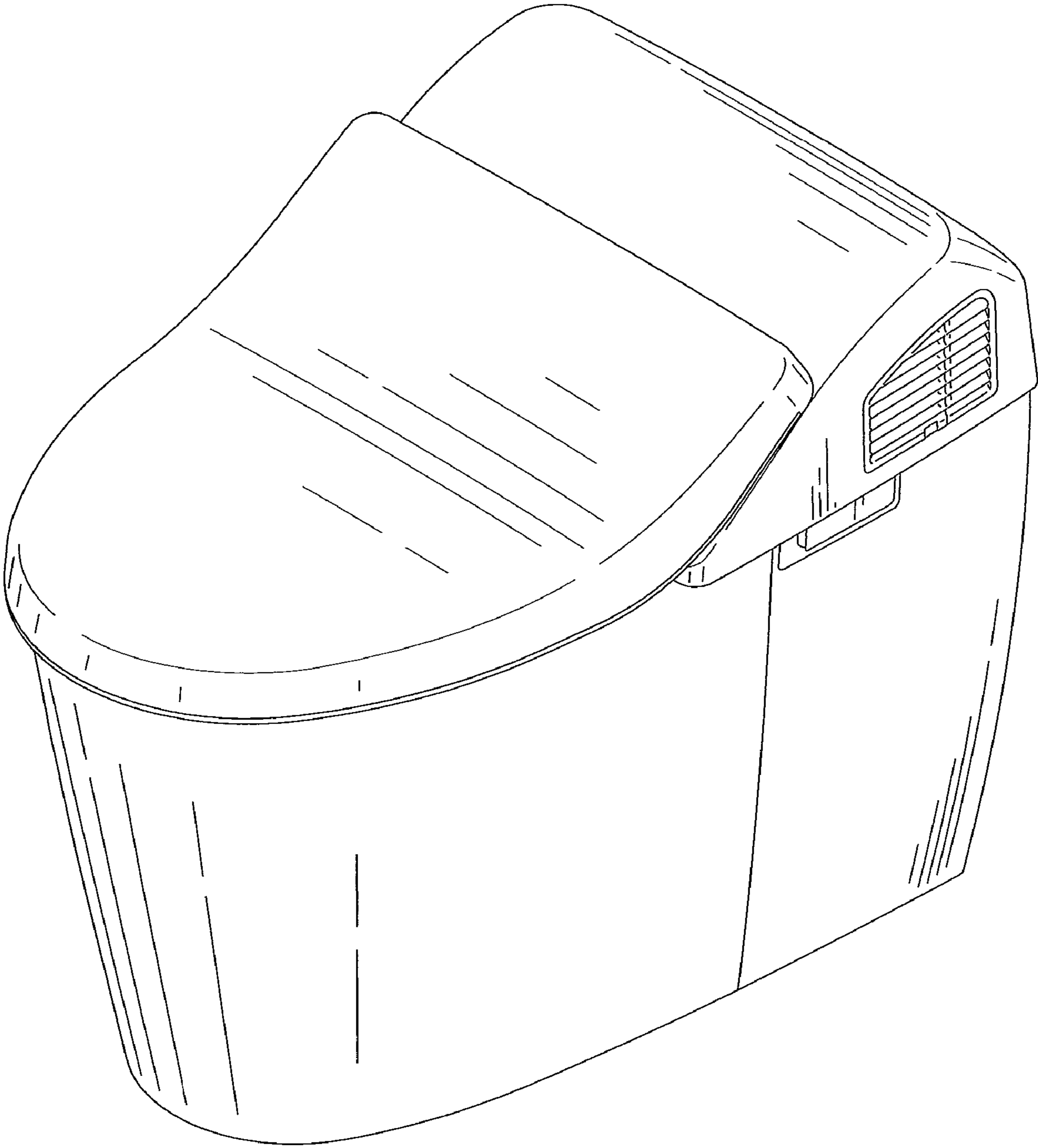


FIG. 1

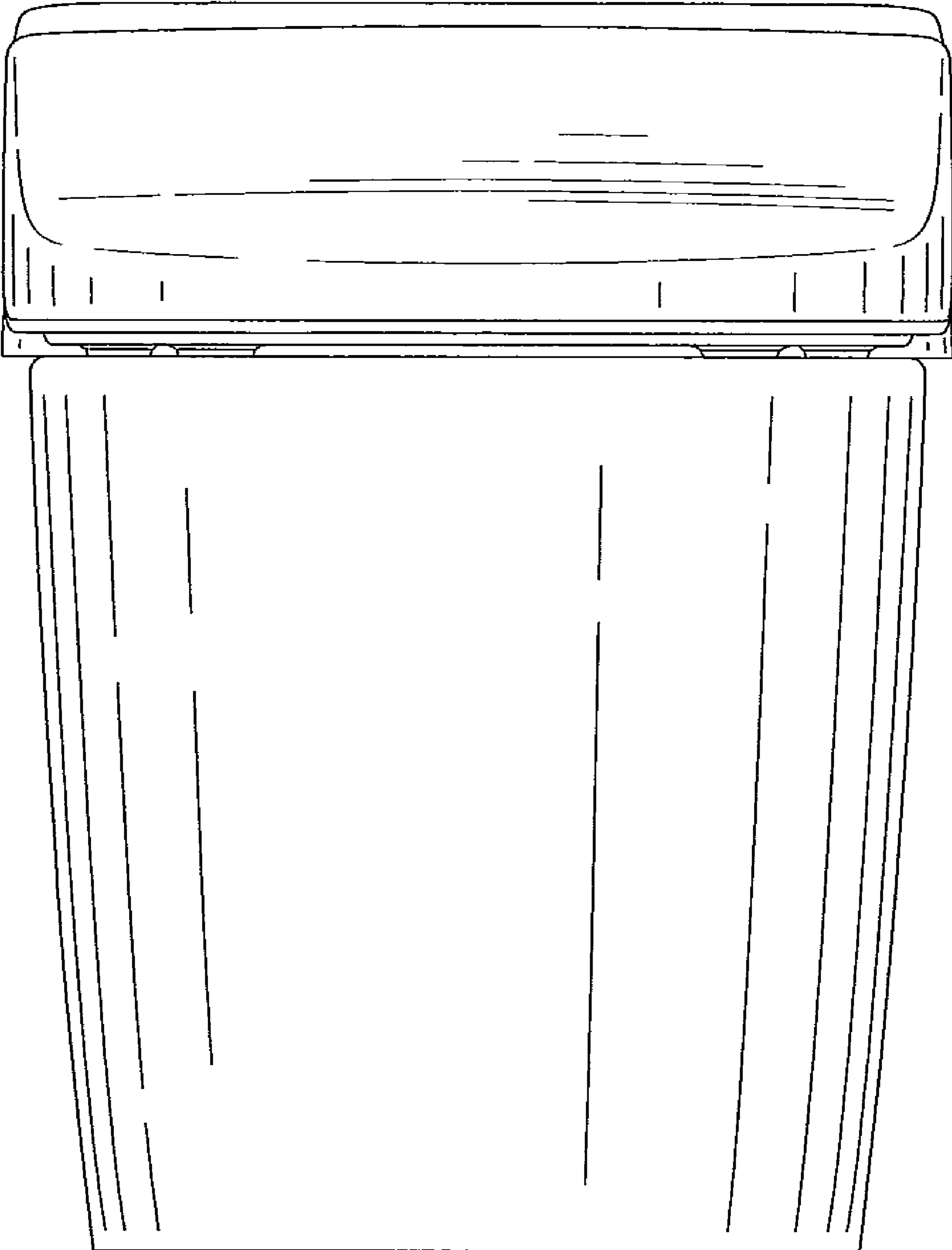


FIG. 2

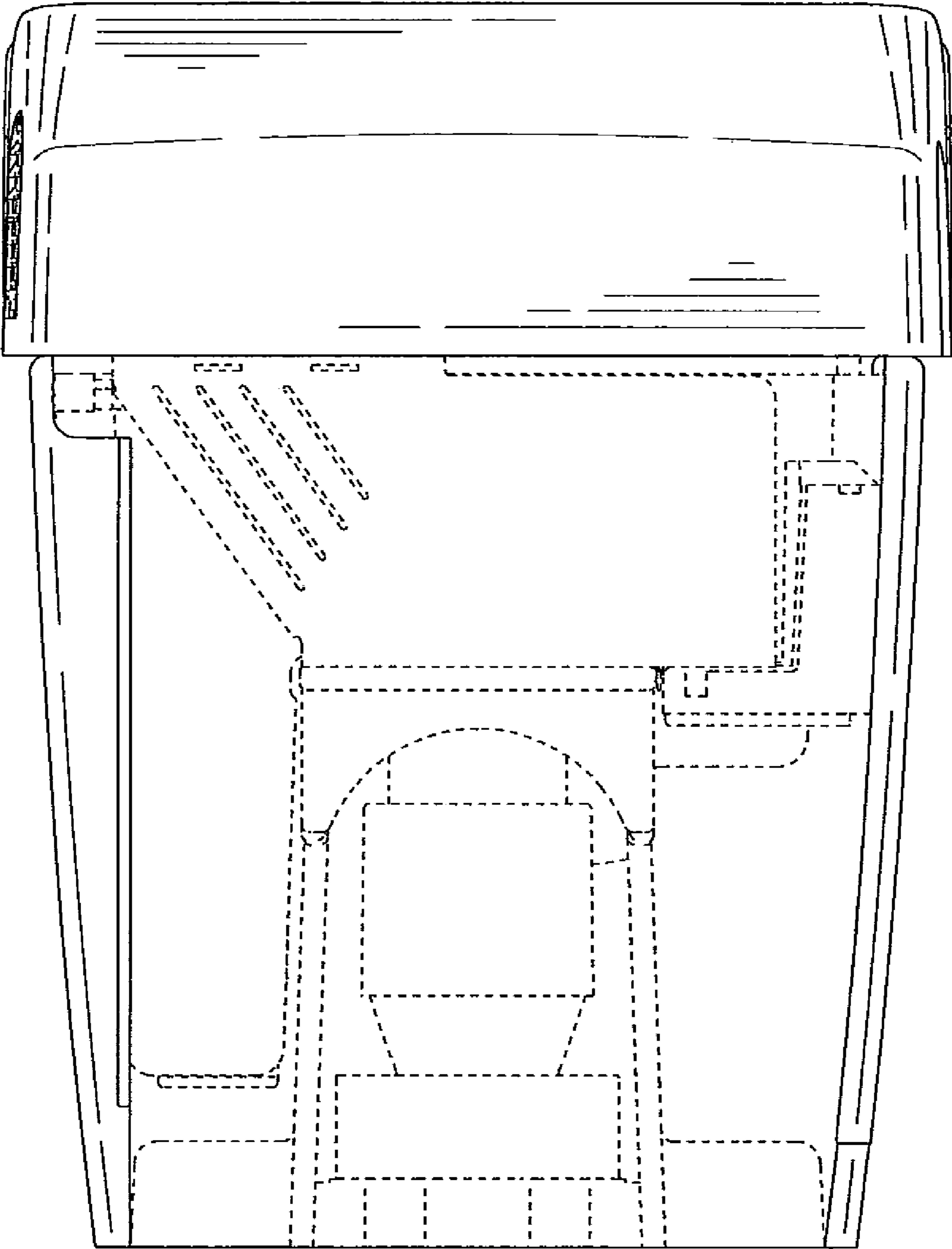


FIG. 3

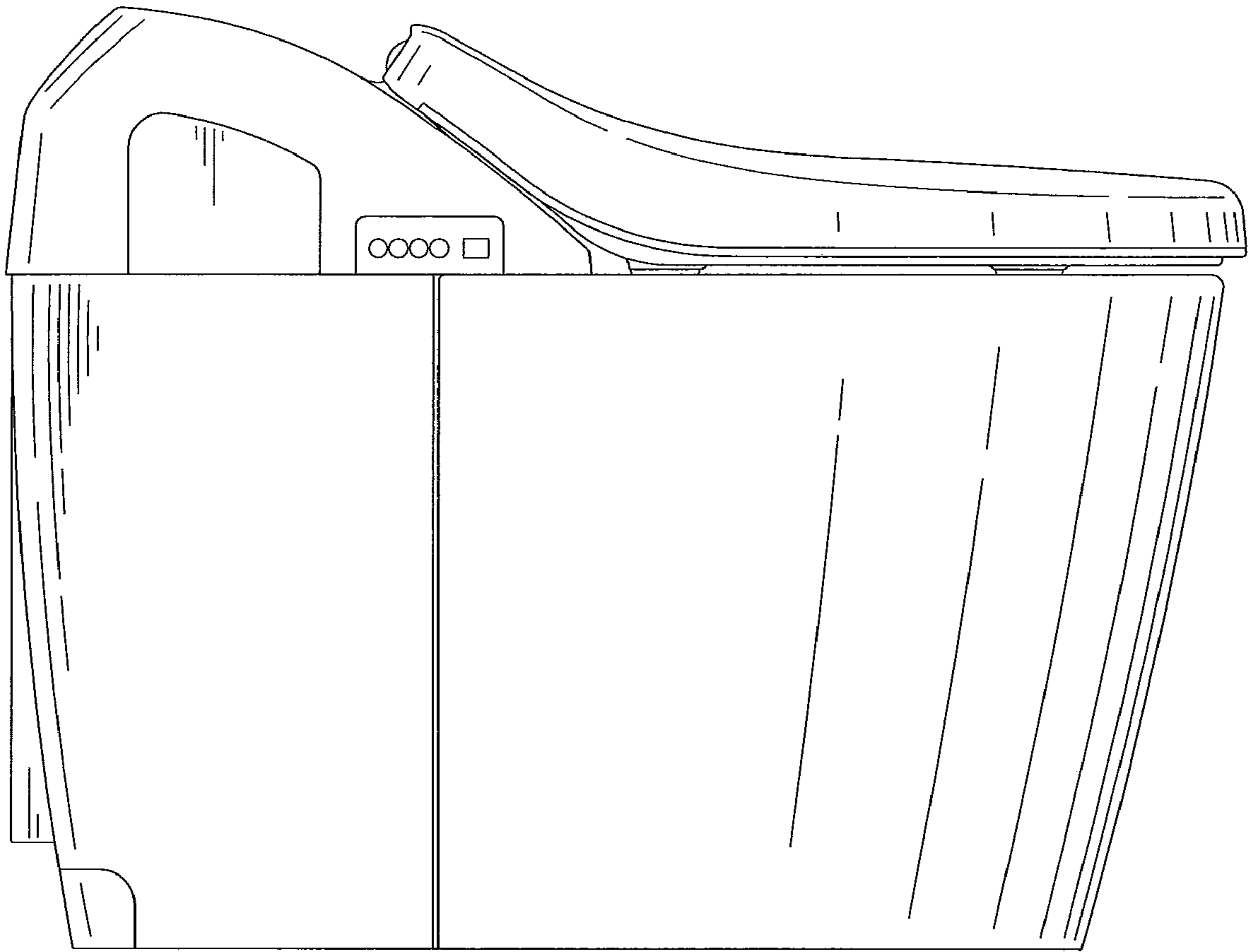


FIG. 4

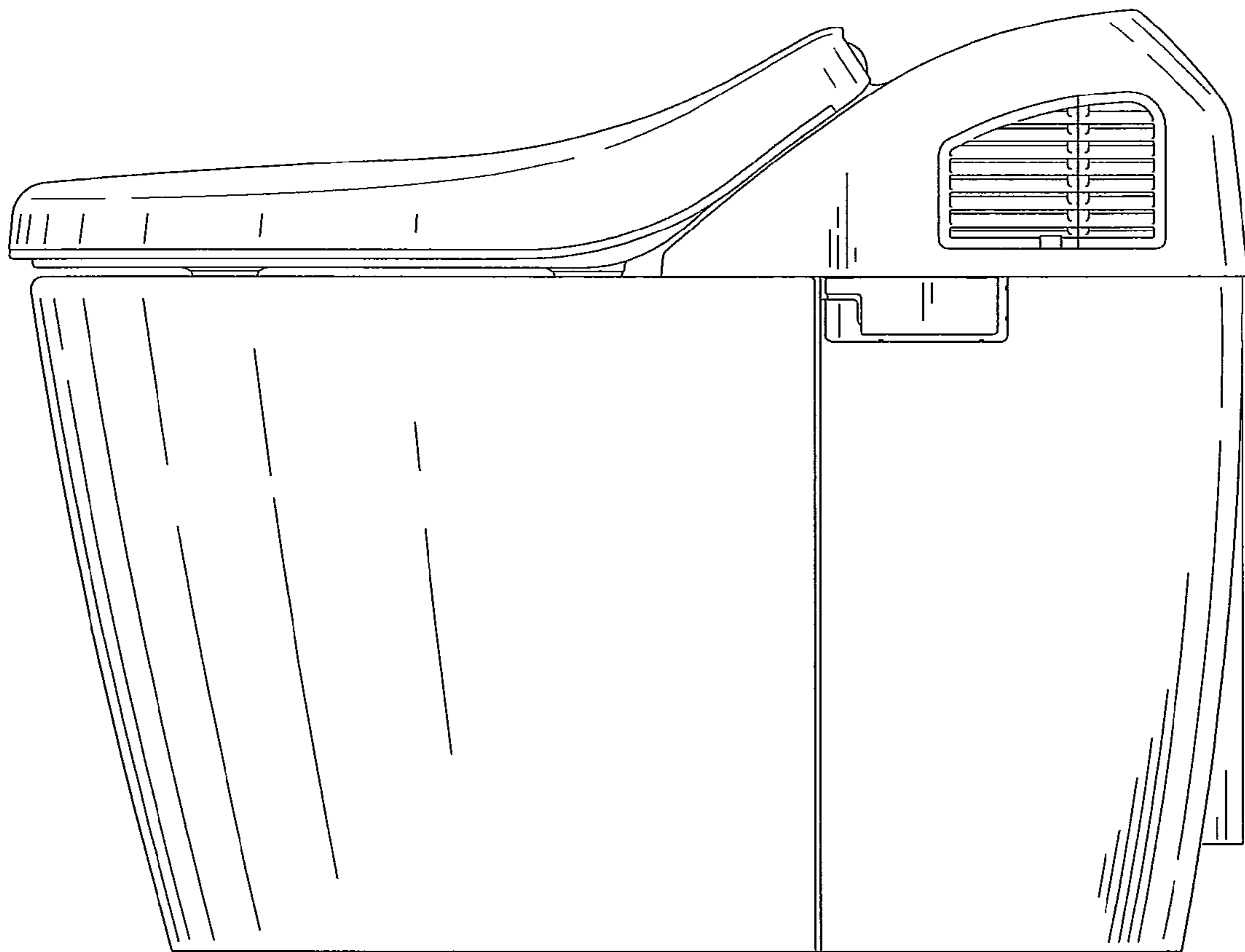


FIG. 5

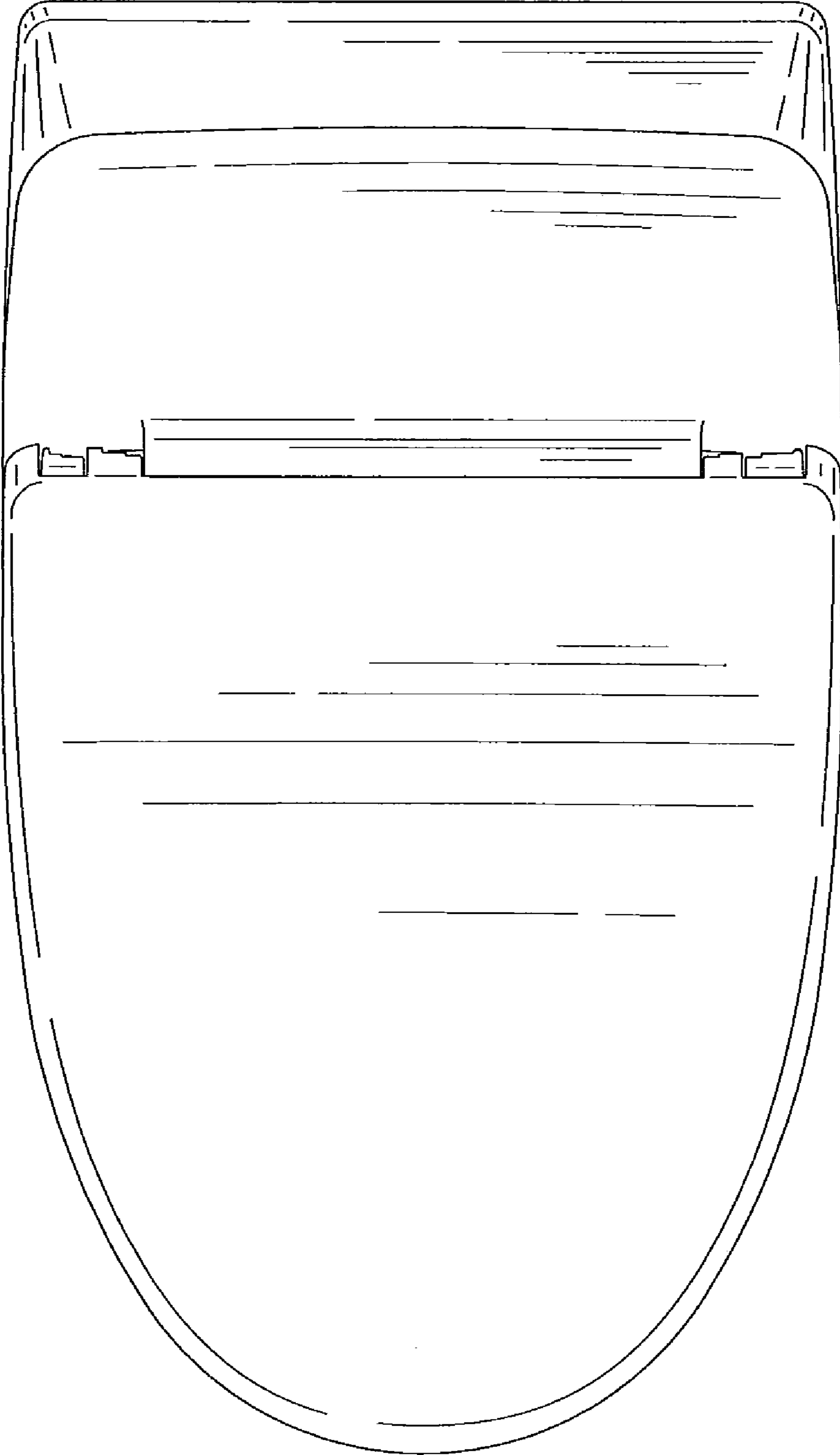


FIG. 6

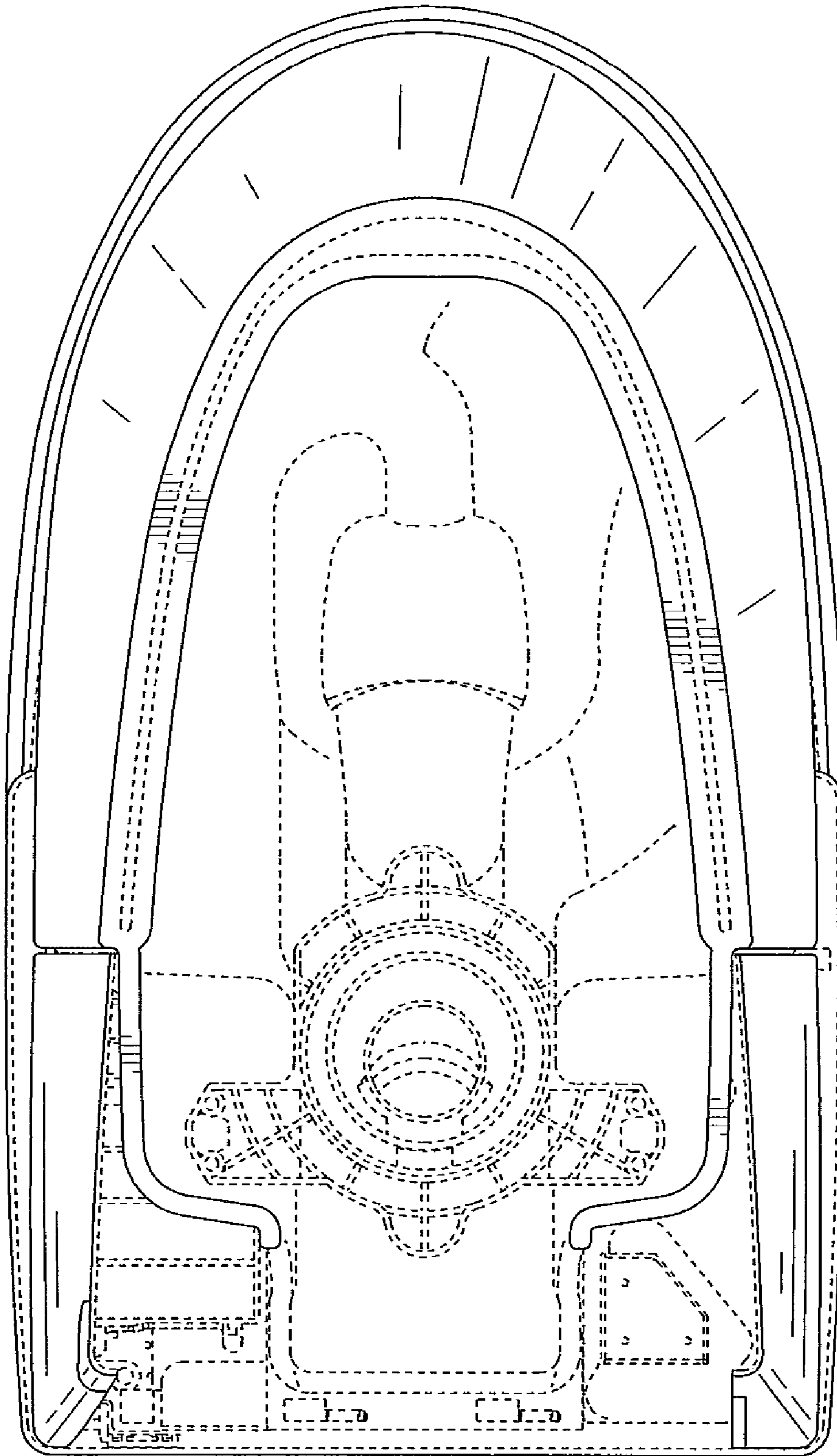


FIG. 7

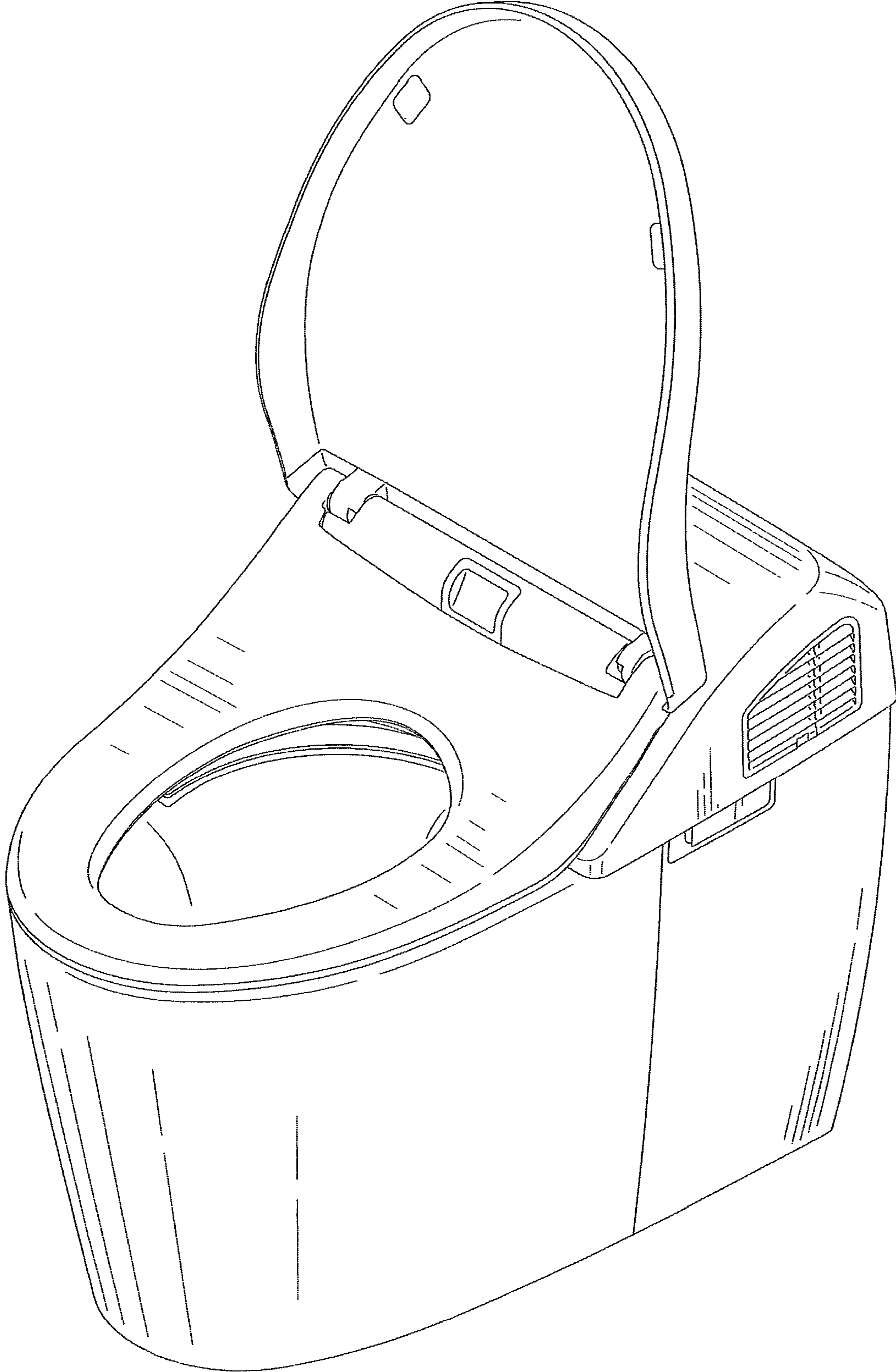


FIG. 8