



US00D620560S

(12) **United States Design Patent**
Shieh

(10) **Patent No.:** **US D620,560 S**
(45) **Date of Patent:** **** Jul. 27, 2010**

(54) **FAUCET BODY**

(75) Inventor: **Ming-Dang Shieh**, Chang Hua Hsien
(TW)

(73) Assignee: **Horng Lai Industrial Co., Ltd.**, Chang
Hua Hsien (TW)

(**) Term: **14 Years**

(21) Appl. No.: **29/345,093**

(22) Filed: **Oct. 9, 2009**

(51) **LOC (9) Cl.** **23-01**

(52) **U.S. Cl.** **D23/241**

(58) **Field of Classification Search** D23/200,
D23/238-257; D6/512, 546, 550; D8/300,
D8/307-308, 310-312, 321; 4/675-678;
137/801; 16/110.1, 441

See application file for complete search history.

(56) **References Cited**

U.S. PATENT DOCUMENTS

D56,935 S *	1/1921	Sabitino	D23/241
D72,505 S *	4/1927	Valou	D23/243
D77,023 S *	11/1928	Bratant	D23/240
D342,119 S *	12/1993	Shieh	D23/213
D466,981 S *	12/2002	Cosolito et al.	D23/242
D470,225 S *	2/2003	Xie	D23/242
D470,918 S *	2/2003	Friedrich	D23/241
D470,919 S *	2/2003	Friedrich	D23/241
D476,063 S *	6/2003	Haug et al.	D23/238
D487,585 S *	3/2004	Shieh	D23/241
D490,142 S *	5/2004	Ouyoung	D23/241
D497,197 S *	10/2004	Warshawsky	D23/243
D509,882 S *	9/2005	Find et al.	D23/238
D512,127 S *	11/2005	Egee	D23/241

D512,485 S *	12/2005	Kulig	D23/241
D522,617 S *	6/2006	Egee	D23/241
D524,418 S *	7/2006	Schaffeld et al.	D23/241
D524,916 S *	7/2006	Schaffeld et al.	D23/249
D567,910 S *	4/2008	Shieh	D23/241
D569,482 S *	5/2008	Hanna	D23/238
D584,383 S *	1/2009	Eilmus	D23/241
D586,430 S *	2/2009	Shieh	D23/242
D586,431 S *	2/2009	Shieh	D23/242
D591,402 S *	4/2009	Eckhaus	D23/238
D591,830 S *	5/2009	Shieh	D23/238

* cited by examiner

Primary Examiner—T. Chase Nelson

Assistant Examiner—Mark Cavanna

(74) *Attorney, Agent, or Firm*—Alan Kamrath; Kamrath &
Associates PA

(57) **CLAIM**

The ornamental design for a faucet body, as shown and
described.

DESCRIPTION

FIG. 1 is a perspective view of a faucet body showing my
design;

FIG. 2 is a front elevational view thereof;

FIG. 3 is a rear elevational view thereof;

FIG. 4 is a left side elevational view thereof;

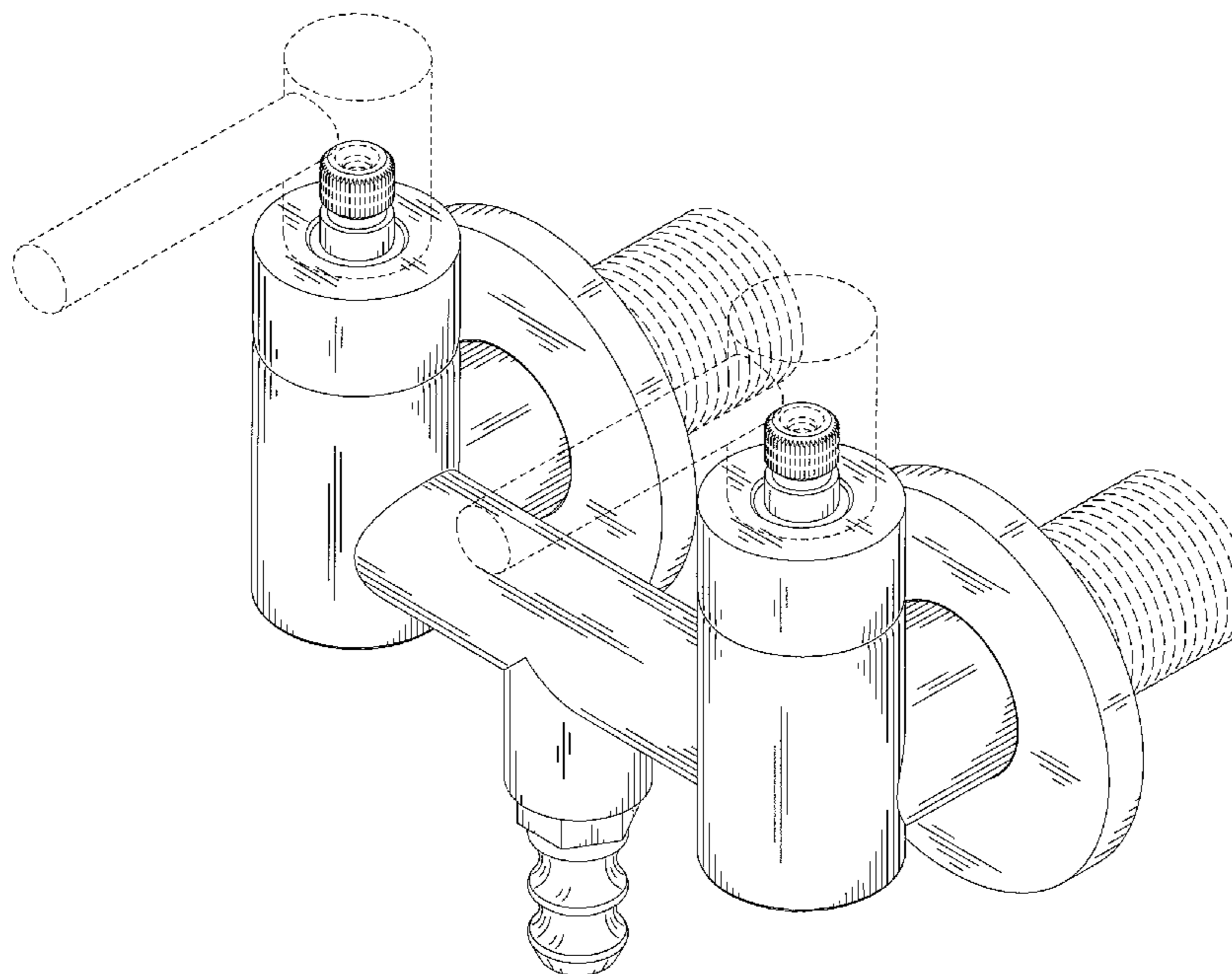
FIG. 5 is a right side elevational view thereof;

FIG. 6 is a top plan view thereof; and,

FIG. 7 is a bottom plan view thereof.

The broken line showing of the faucet body is for illustrative
purposes only and forms no part of the claimed design.

1 Claim, 7 Drawing Sheets



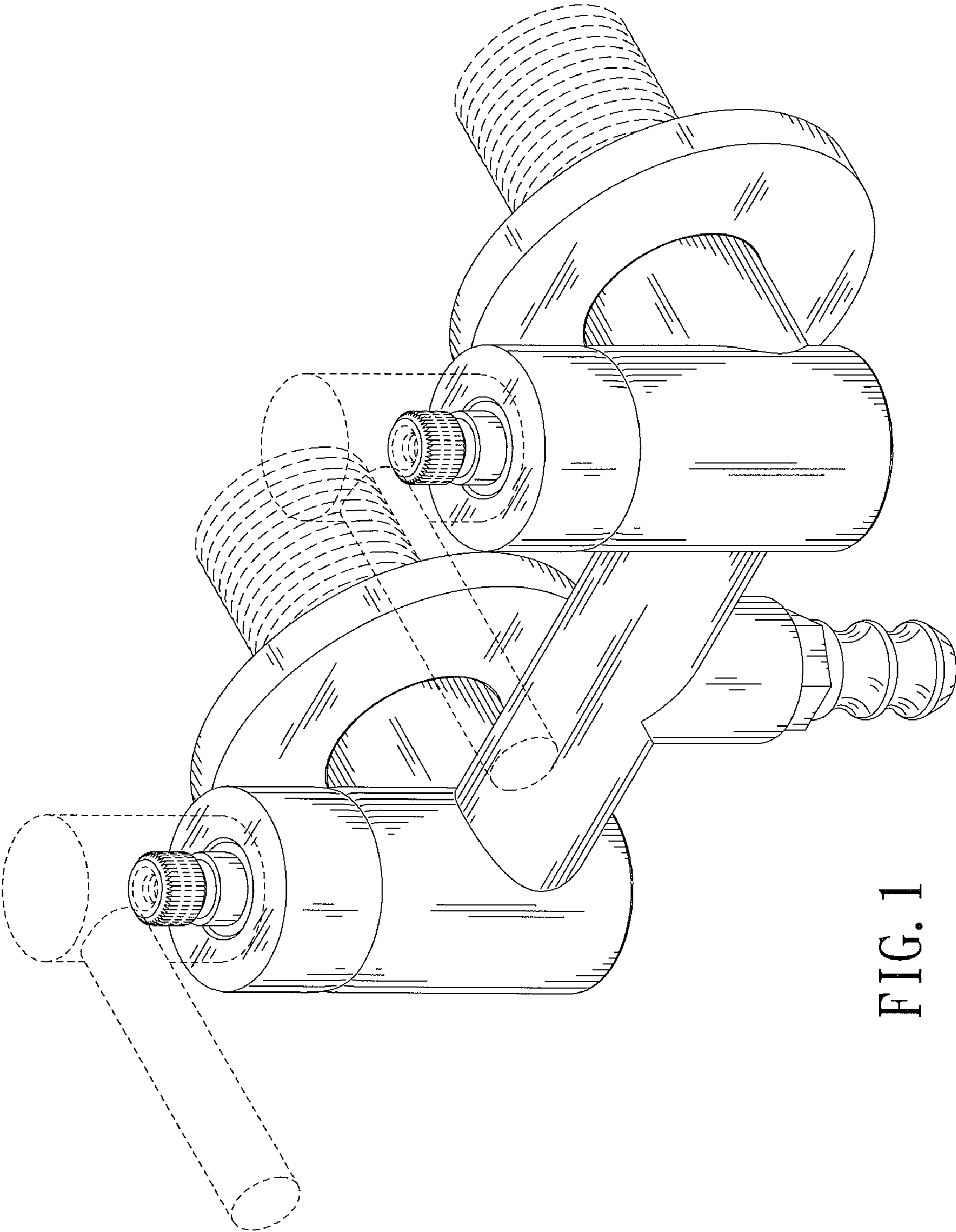
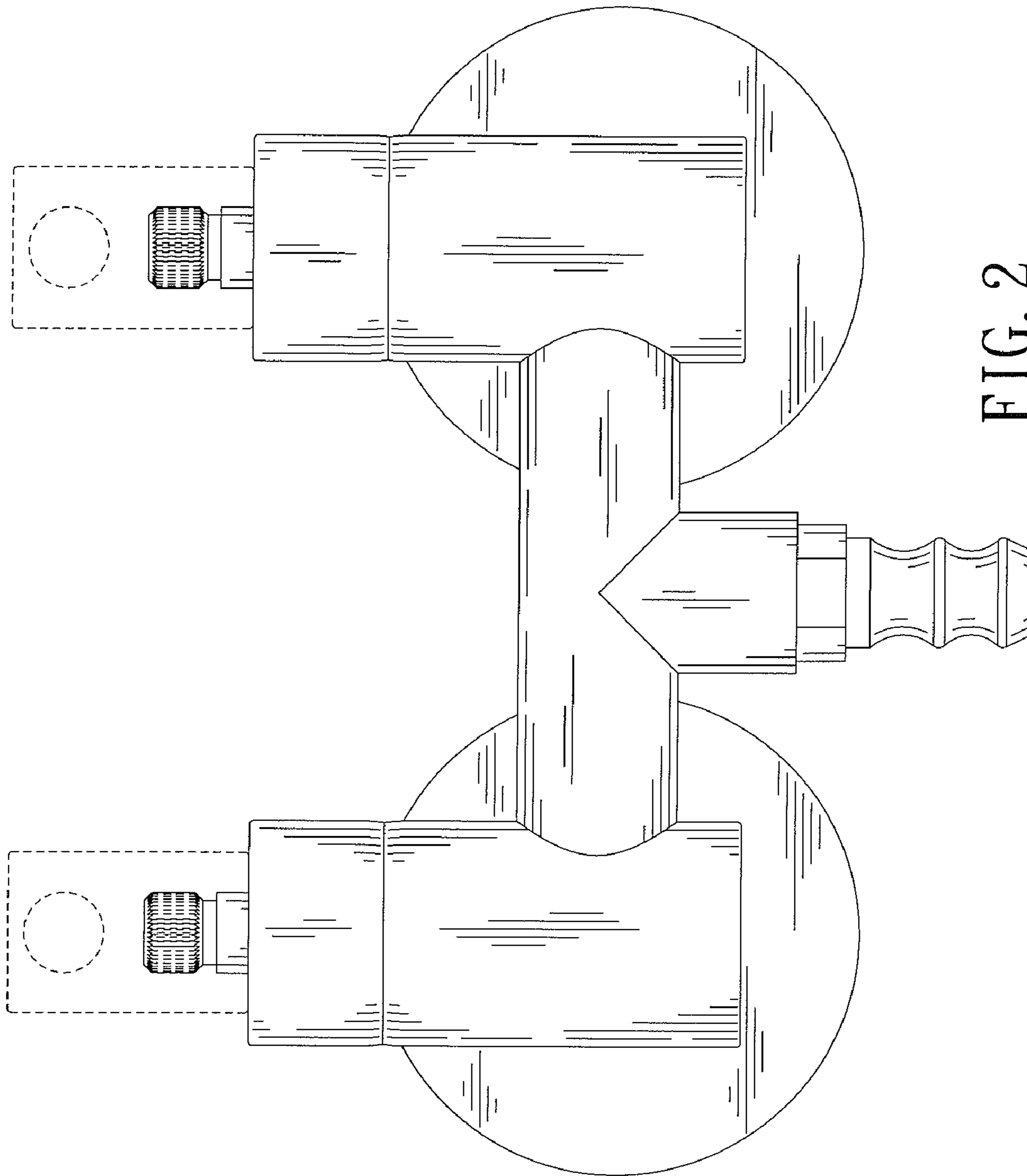


FIG. 1



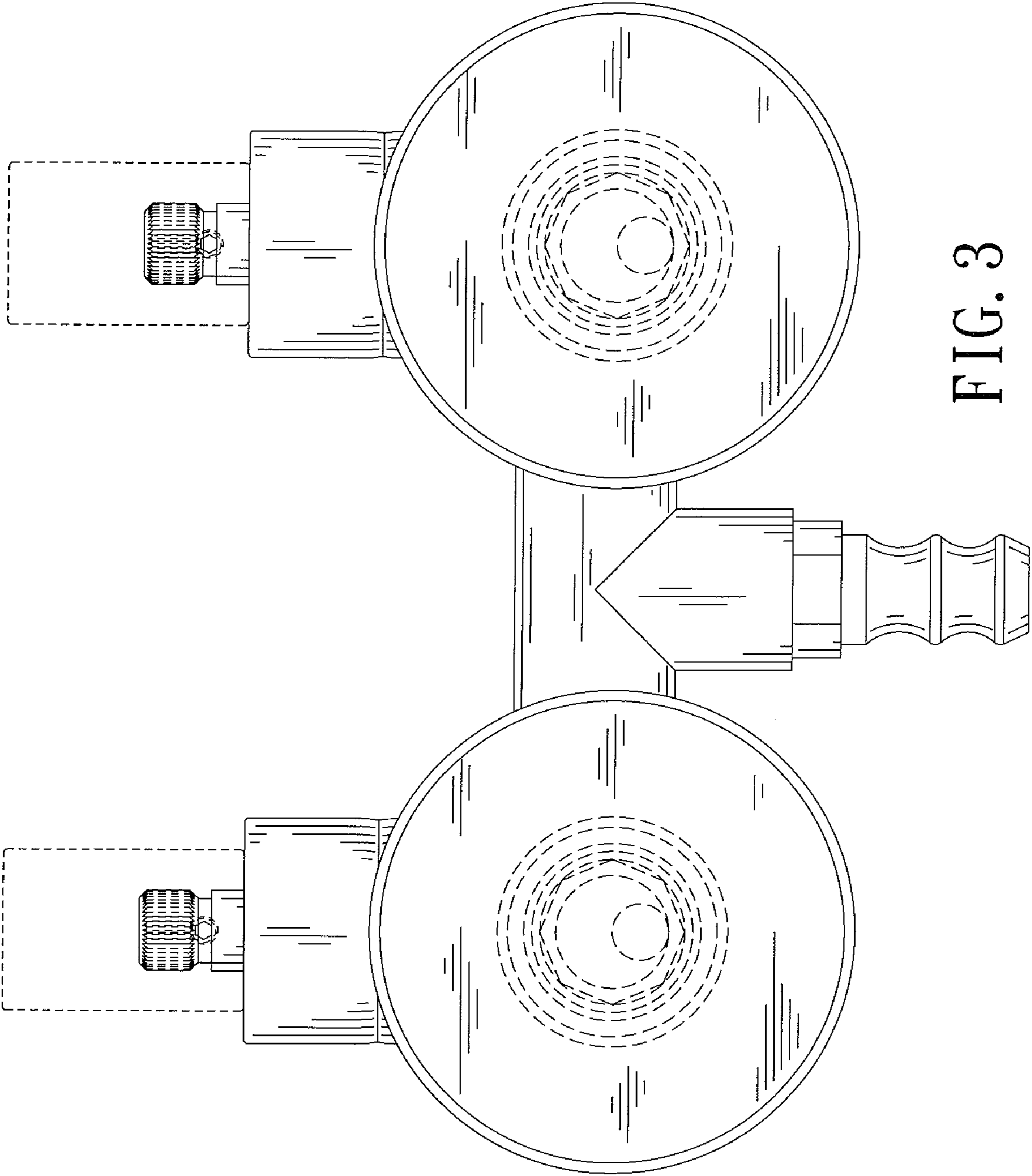


FIG. 3

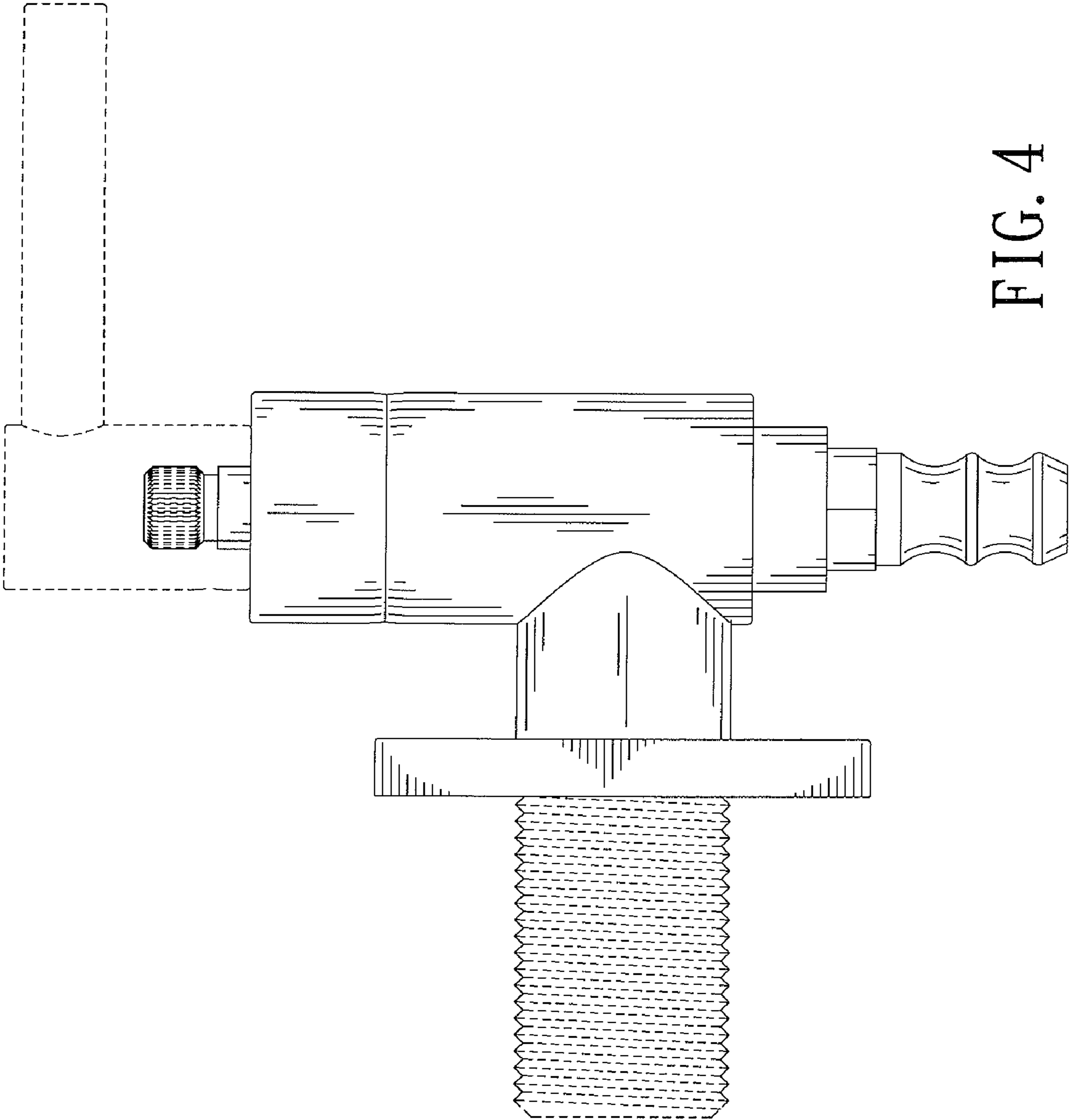


FIG. 4

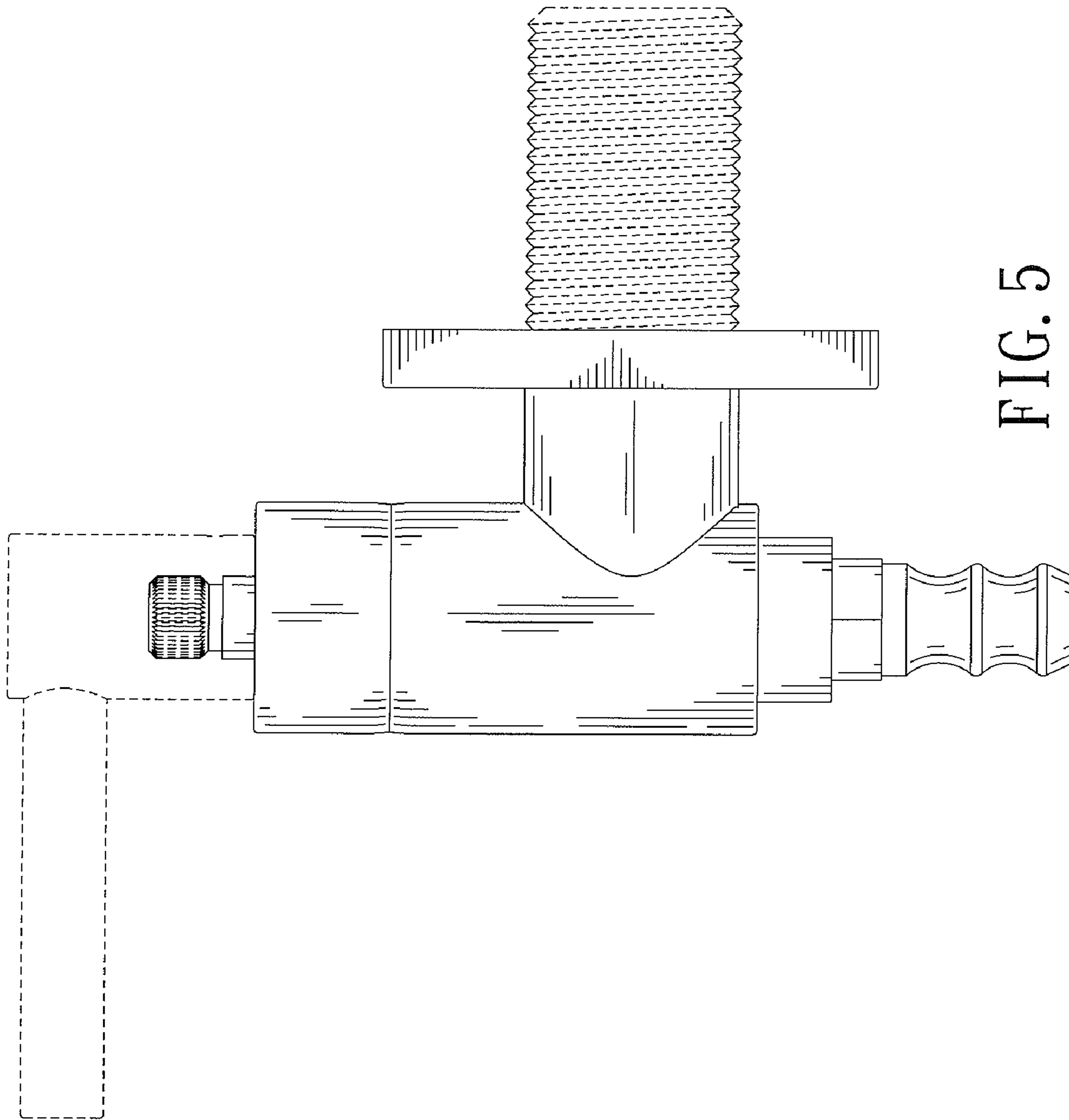


FIG. 5

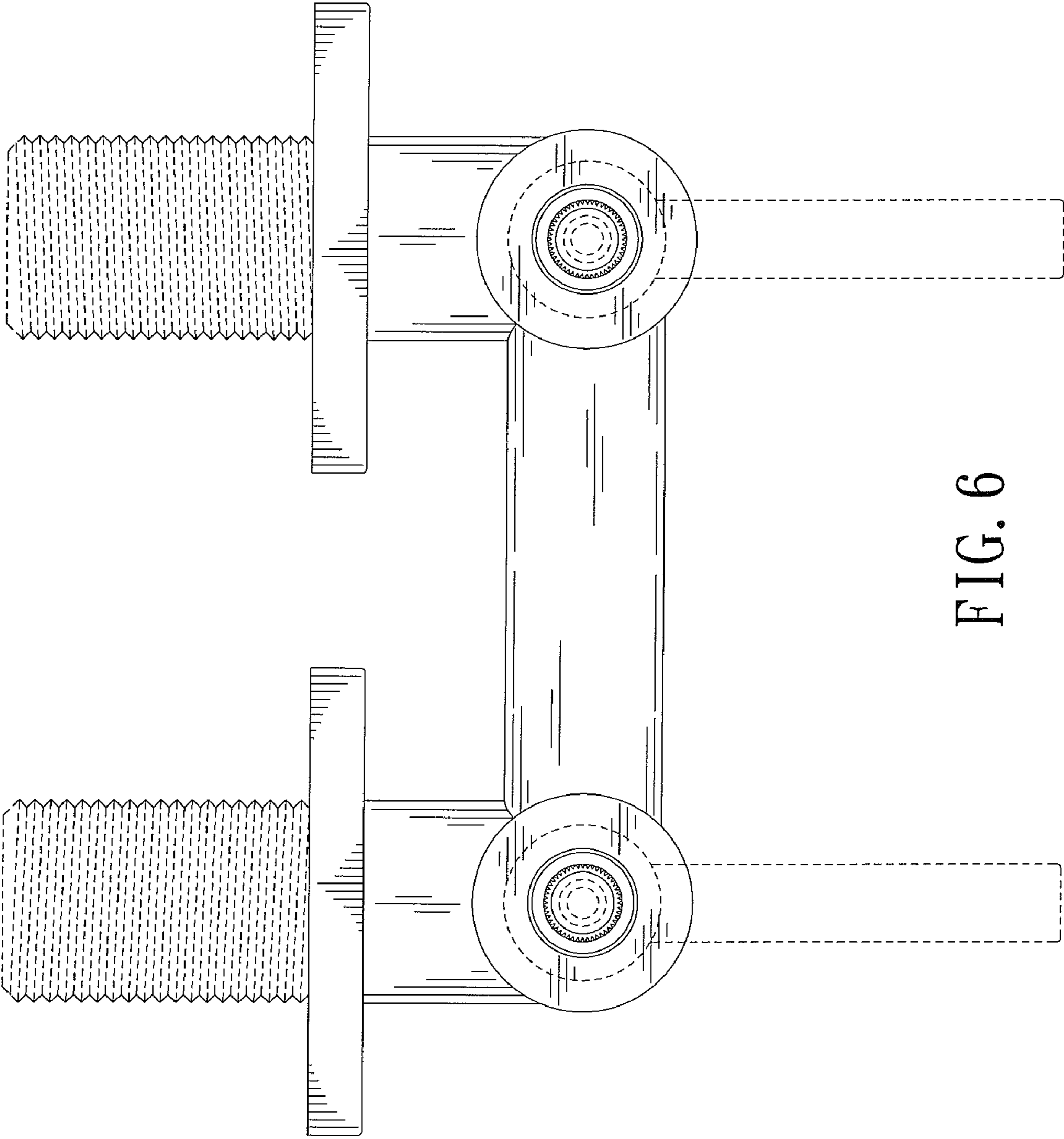


FIG. 6

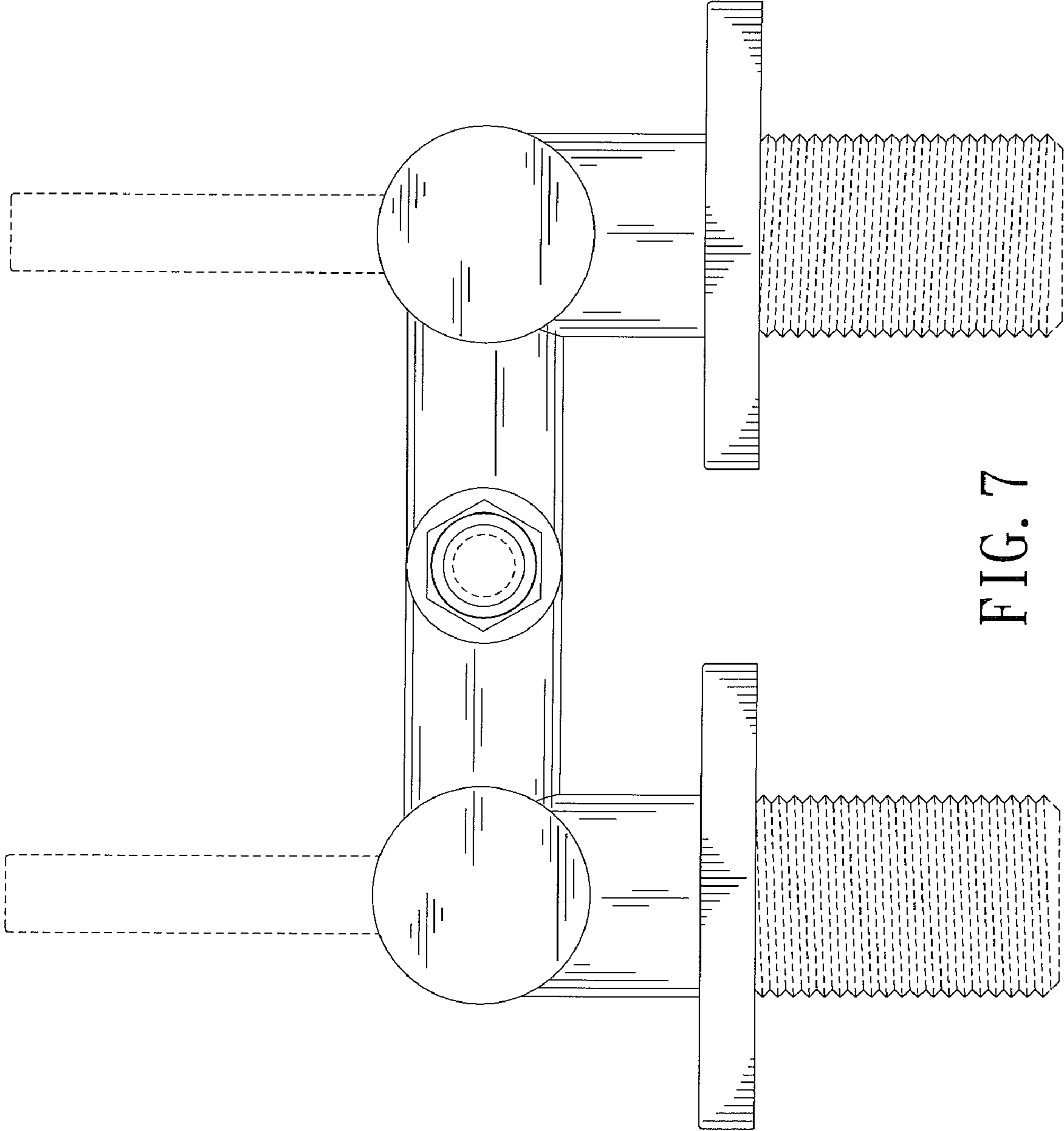


FIG. 7