



US00D620558S

(12) **United States Design Patent**  
**Krumpe**

(10) **Patent No.:** **US D620,558 S**

(45) **Date of Patent:** **\*\* Jul. 27, 2010**

(54) **FAUCET**

(75) **Inventor:** **Geraint Krumpe**, Chicago, IL (US)

(73) **Assignee:** **Masco Corporation of Indiana**,  
Indianapolis, IN (US)

(\*\*) **Term:** **14 Years**

(21) **Appl. No.:** **29/354,821**

(22) **Filed:** **Jan. 29, 2010**

(51) **LOC (9) Cl.** ..... **23-02**

(52) **U.S. Cl.** ..... **D23/238**

(58) **Field of Classification Search** ..... D23/238,  
D23/241-243, 250, 252, 255, 257; 4/675-678;  
137/801

See application file for complete search history.

(56) **References Cited**

**U.S. PATENT DOCUMENTS**

D521,109 S \* 5/2006 Lord ..... D23/238

D564,075 S \* 3/2008 Williams ..... D23/238

D575,375 S \* 8/2008 Williams ..... D23/238

D603,021 S \* 10/2009 Roy ..... D23/238

\* cited by examiner

*Primary Examiner*—Robert A Delehanty

(74) *Attorney, Agent, or Firm*—Edgar A. Zarins; Nirav D. Parikh

(57) **CLAIM**

The ornamental design for a faucet, as shown and described.

**DESCRIPTION**

FIG. 1 is a perspective view of a faucet showing my new design;

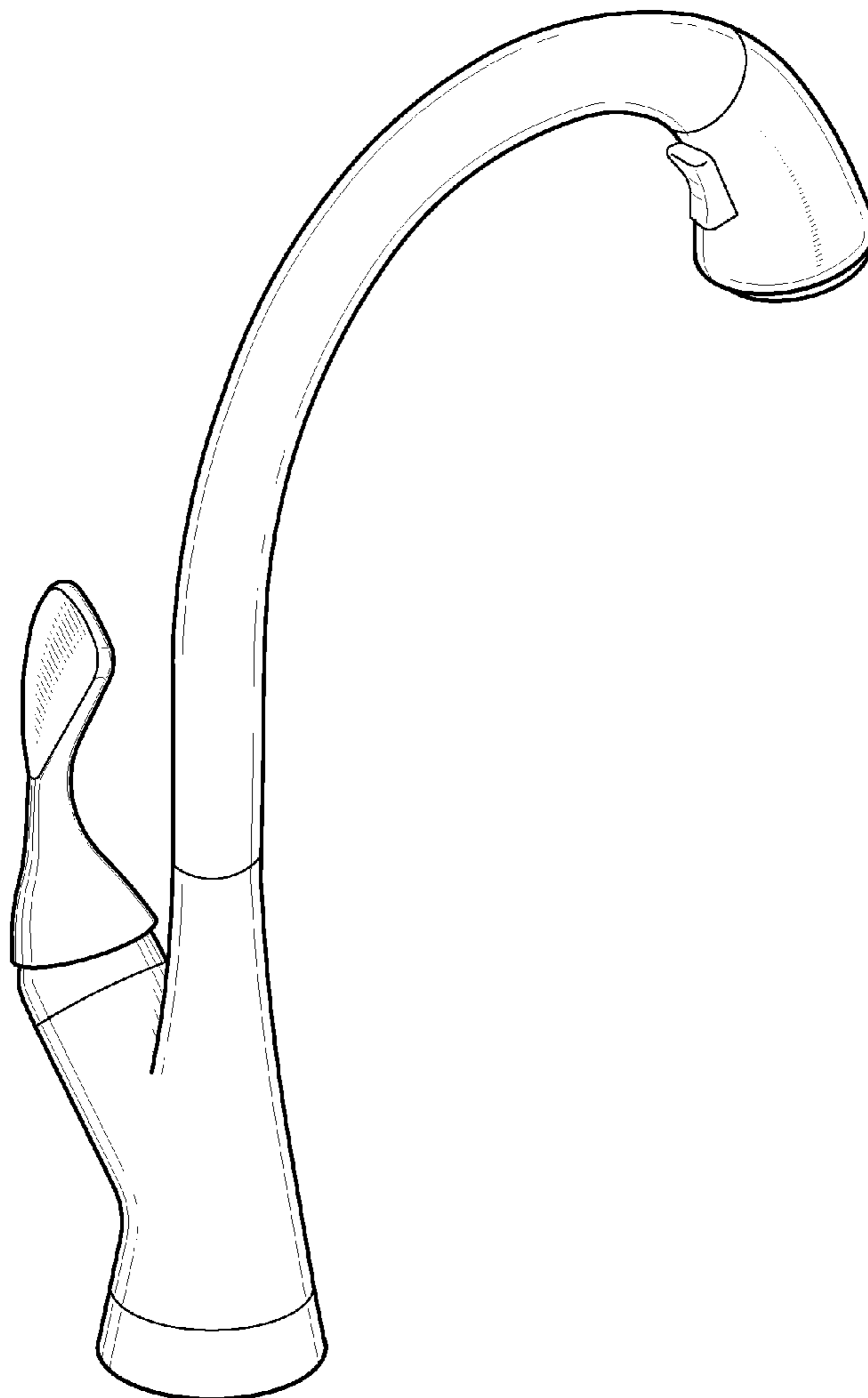
FIG. 2 is a front elevational view thereof;

FIG. 3 is a top plan view thereof;

FIG. 4 is a left side view thereof; and,

FIG. 5 is a right side view thereof.

**1 Claim, 3 Drawing Sheets**



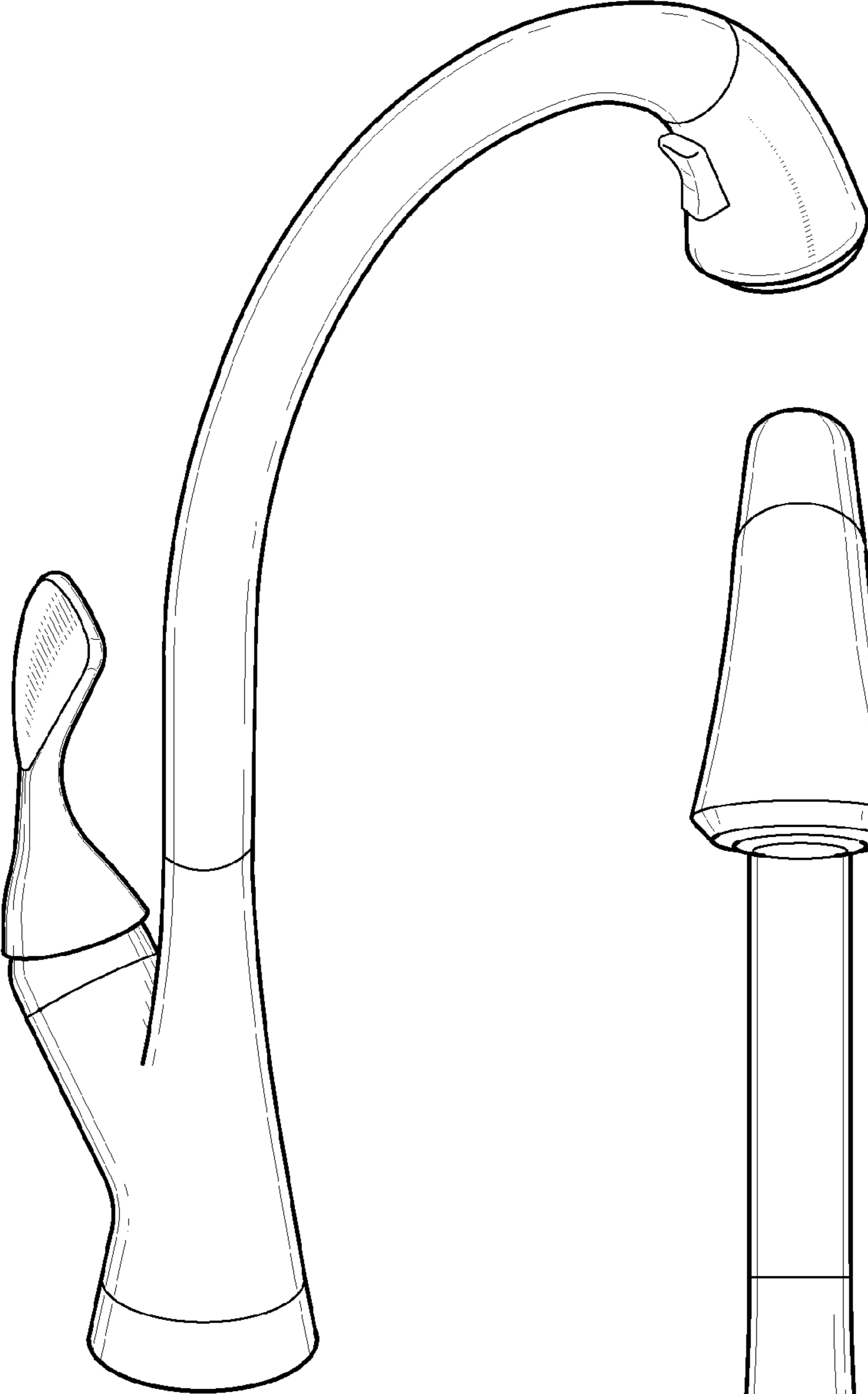


Fig-1

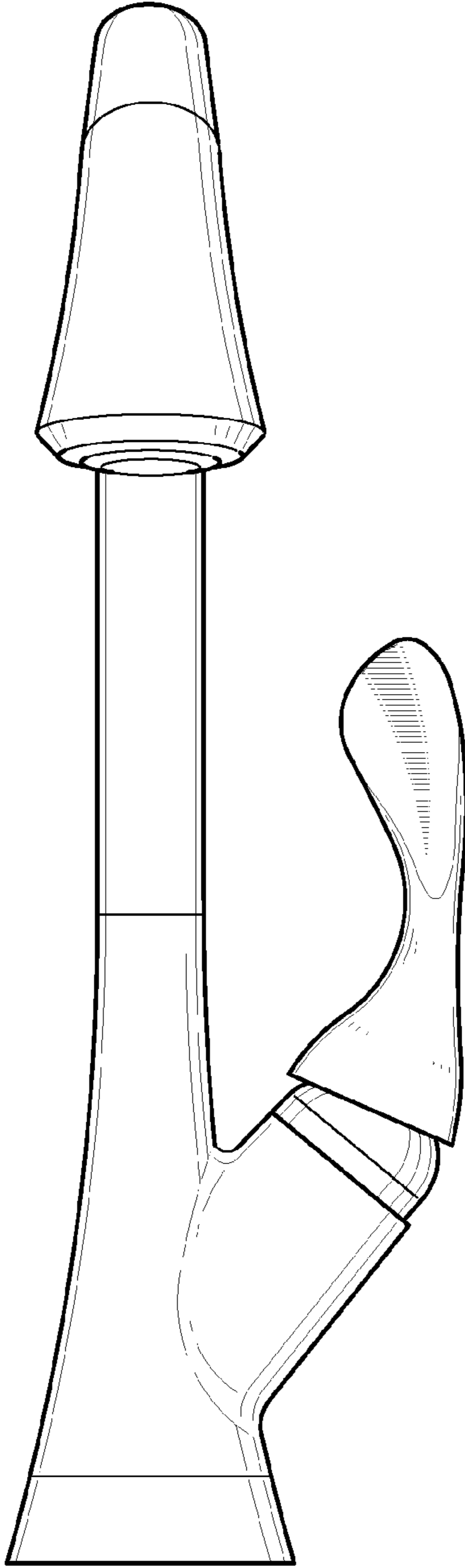


Fig-2

Fig-3

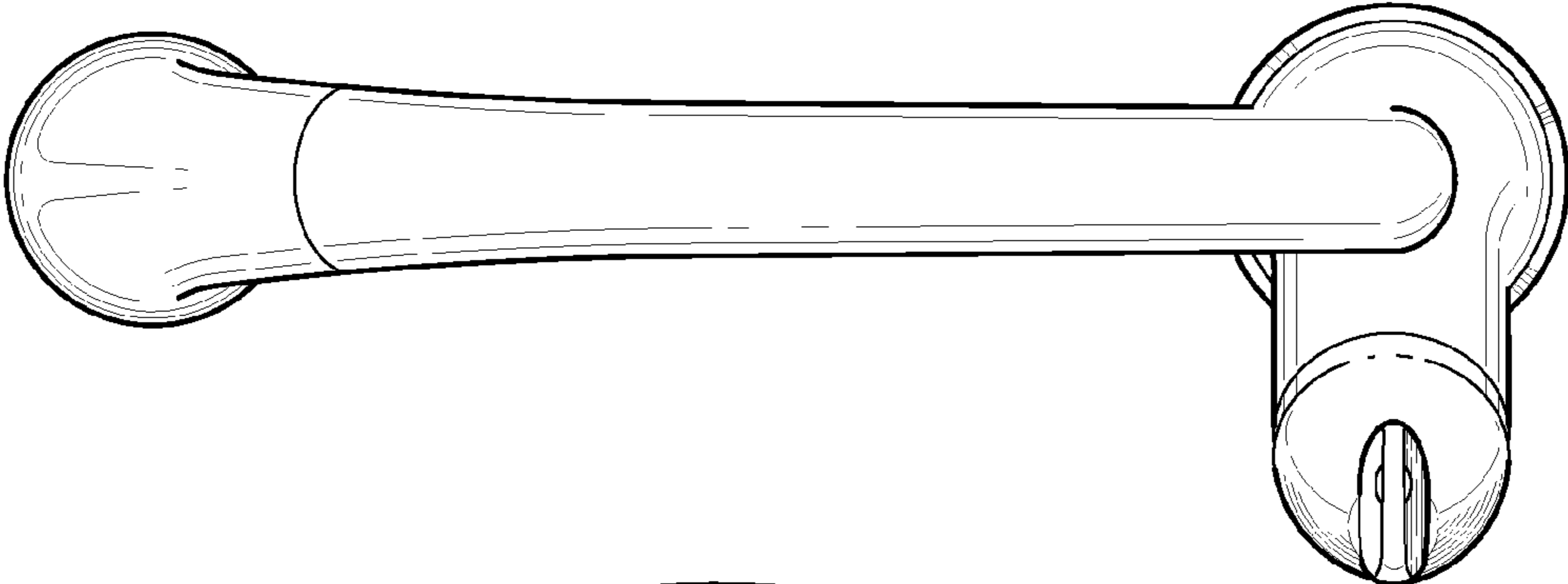
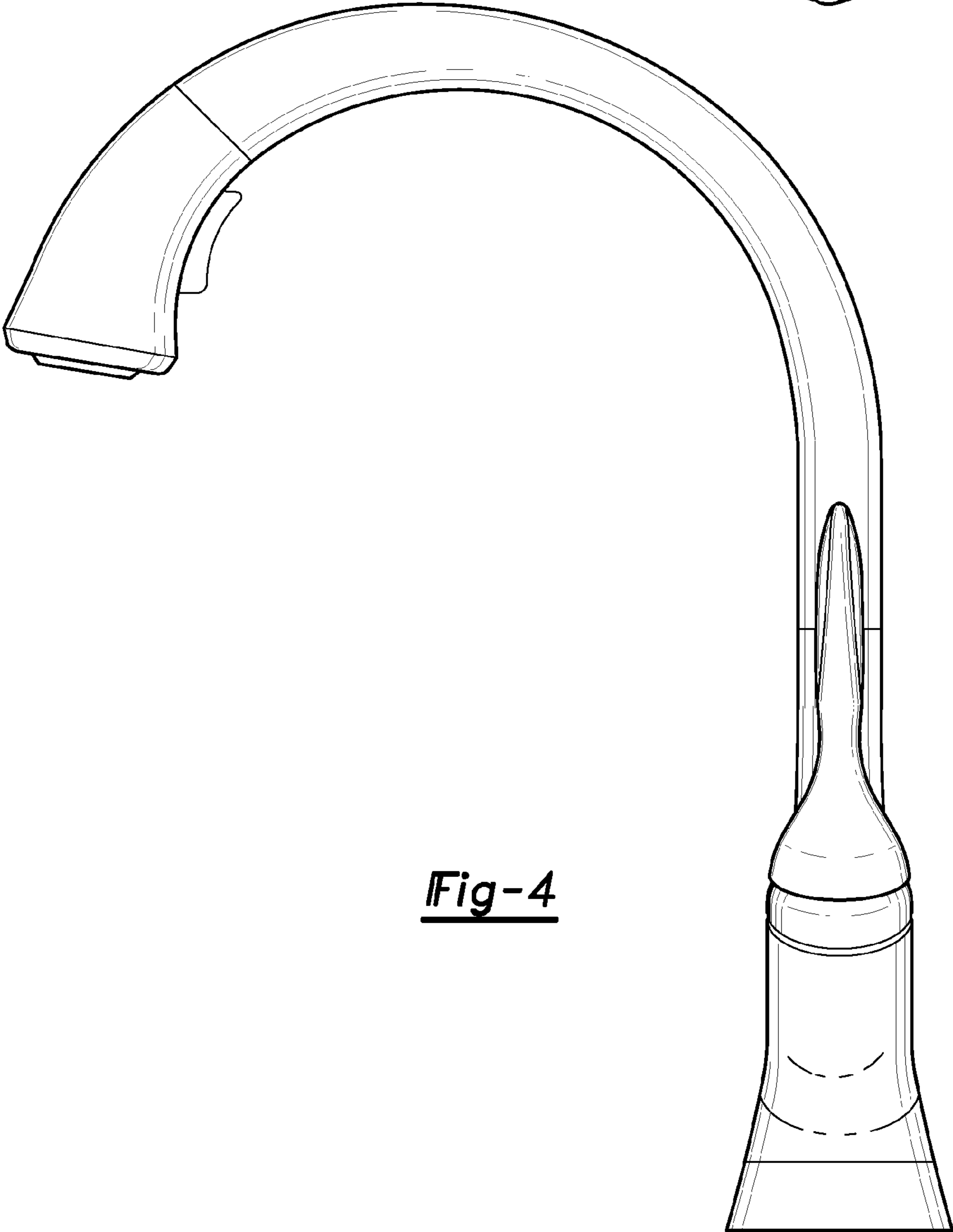


Fig-4



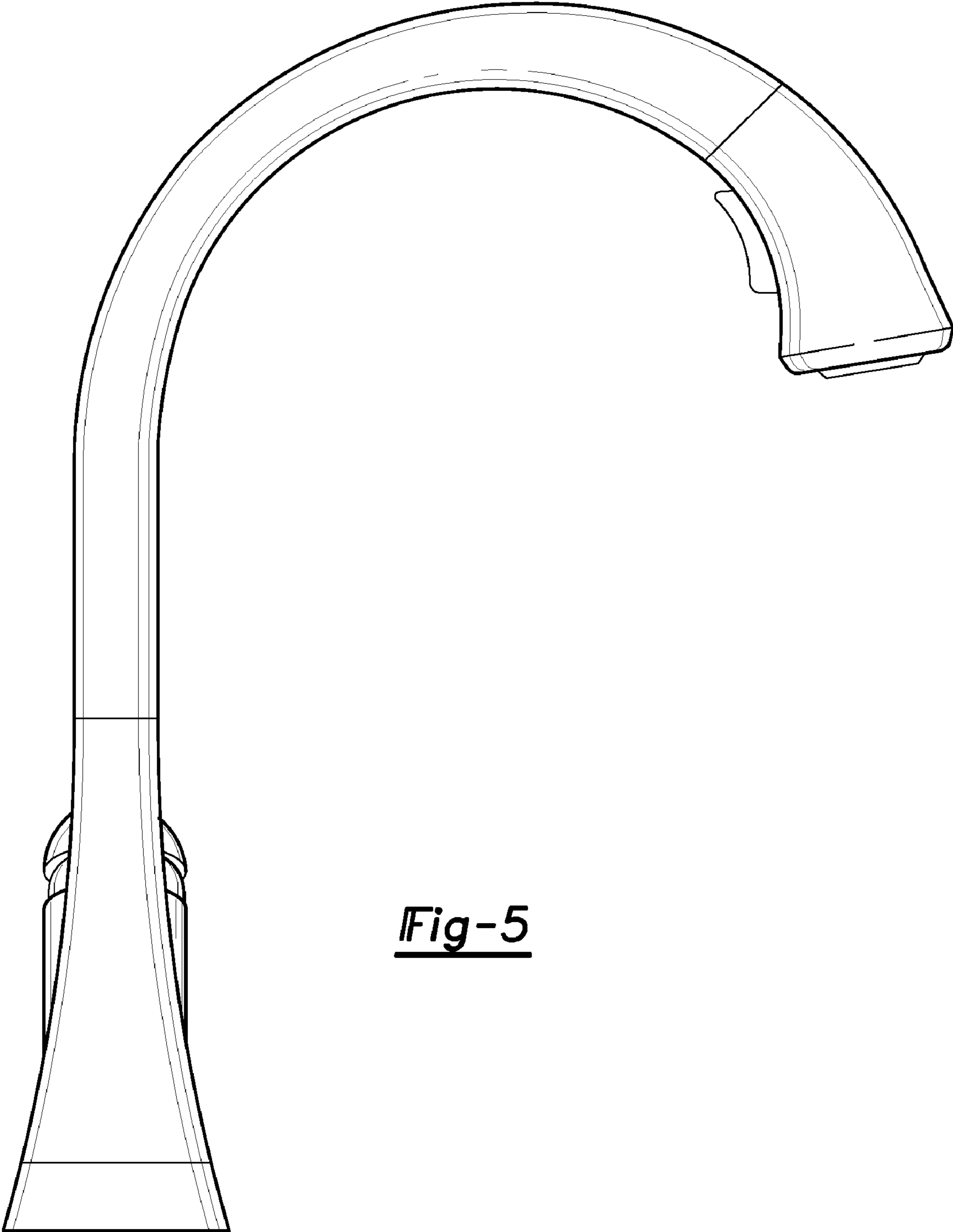


Fig-5