



US00D620557S

(12) **United States Design Patent**
Eilmus

(10) **Patent No.:** **US D620,557 S**
(45) **Date of Patent:** **** Jul. 27, 2010**

(54) **PLUMBING FITTING**

(75) Inventor: **Niels J. Eilmus**, Sheboygan, WI (US)

(73) Assignee: **Kohler Co.**, Kohler, WI (US)

(**) Term: **14 Years**

(21) Appl. No.: **29/324,345**

(22) Filed: **Sep. 10, 2008**

(51) **LOC (9) Cl.** **23-01**

(52) **U.S. Cl.** **D23/238**

(58) **Field of Classification Search** D23/200,
D23/238-257; D6/512, 546, 550; D8/300,
D8/307-308, 310-312, 321; 4/675-678;
137/801; 16/110.1, 441

See application file for complete search history.

(56) **References Cited**

U.S. PATENT DOCUMENTS

1,838,290 A * 12/1931 Steckel 137/599.01

(Continued)

FOREIGN PATENT DOCUMENTS

CH 000296918-0006 4/2005

OTHER PUBLICATIONS

U.S. Appl. No. 29/305,208, filed Mar. 14, 2008, Eilmus.

(Continued)

Primary Examiner—T. Chase Nelson

Assistant Examiner—Mark Cavanna

(74) *Attorney, Agent, or Firm*—Quarles & Brady LLP

(57) **CLAIM**

The ornamental design for a plumbing fitting, as shown and described.

DESCRIPTION

FIG. 1 is a right, top, front perspective view of a plumbing fitting embodying my new design shown in one of many extended positions;

FIG. 2 is a front elevational view thereof;

FIG. 3 is a rear elevational view thereof;

FIG. 4 is a right side elevational view thereof;

FIG. 5 is a left side elevational view thereof;

FIG. 6 is a top plan view thereof;

FIG. 7 is a bottom plan view thereof;

FIG. 8 is a left, top, front perspective view of a plumbing fitting according to another embodiment of my new design, the front, rear, right side and left side elevational views thereof in the corresponding extending position being mirror images of the views shown in respective FIGS. 2-5 and the top and bottom plan views thereof in the corresponding extended position being mirror images of the views shown in respective FIGS. 6 and 7;

FIG. 9 is a right, top, front perspective view of the plumbing fitting of FIG. 1 shown in a retracted position;

FIG. 10 is a front elevational view thereof;

FIG. 11 is a rear elevational view thereof;

FIG. 12 is a right side elevational view thereof;

FIG. 13 is a left side elevational view thereof;

FIG. 14 is a top plan view thereof;

FIG. 15 is a bottom plan view thereof; and

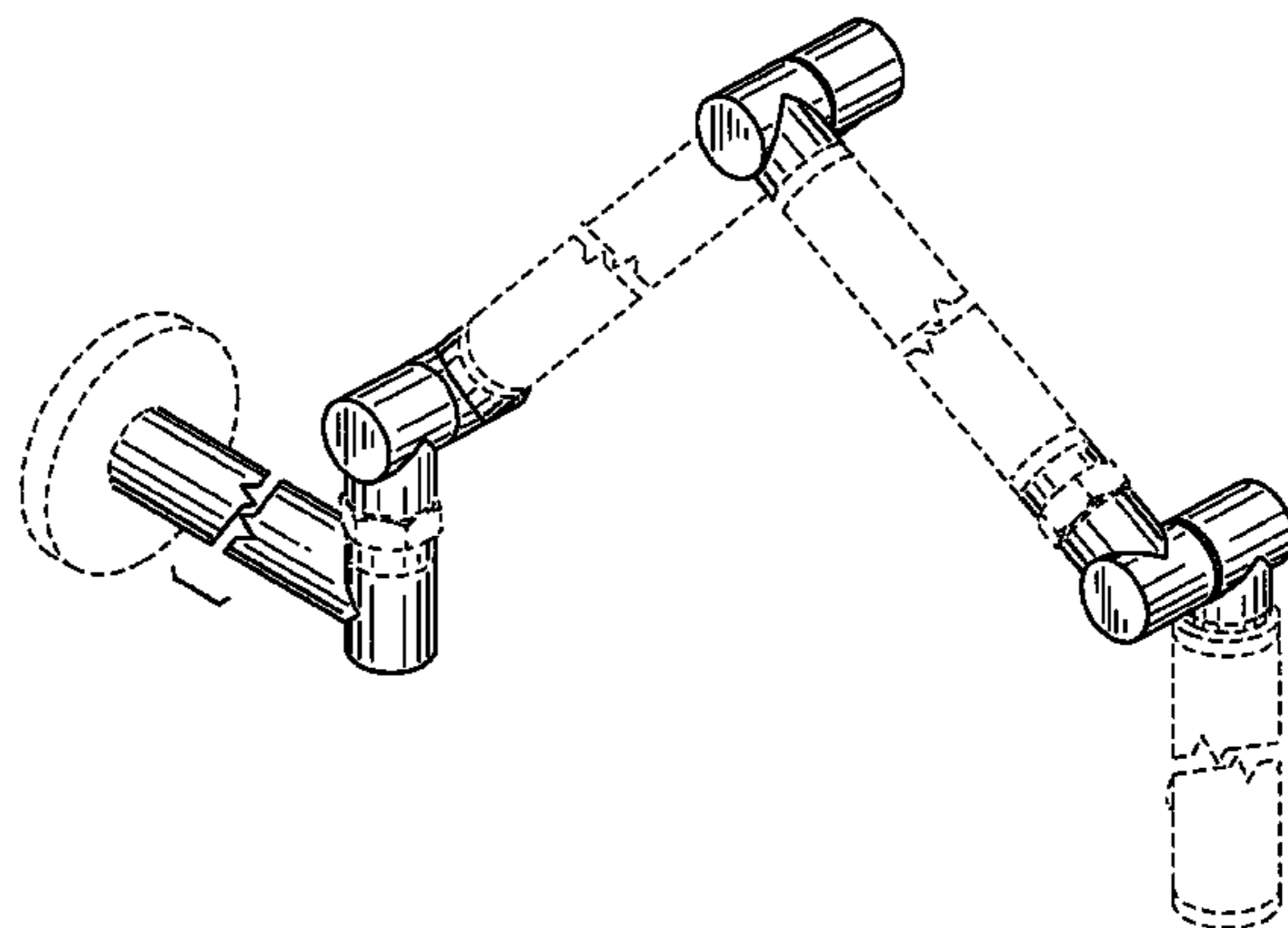
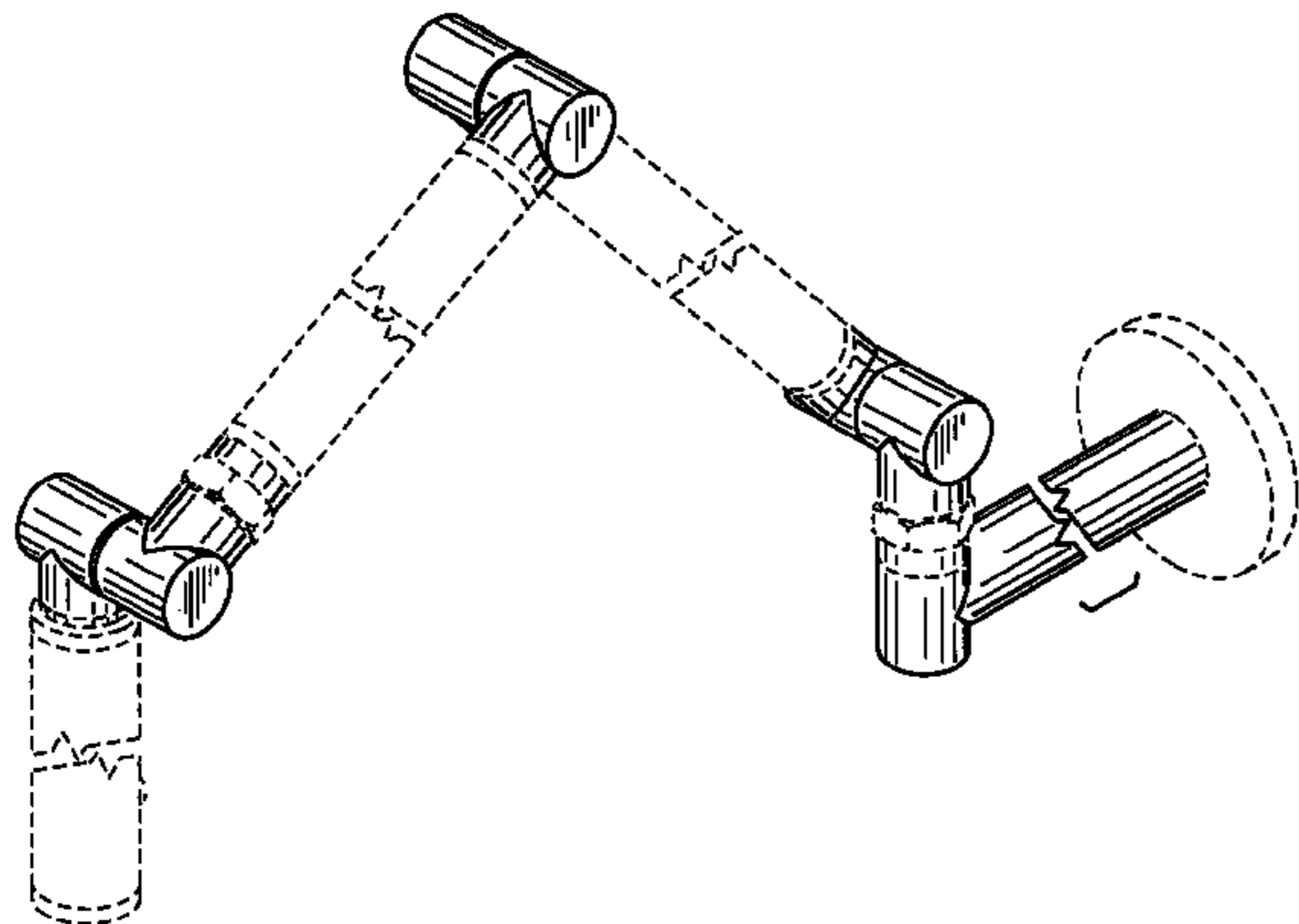
FIG. 16 is a left, top, front perspective view of the plumbing fitting according to another embodiment of my new design, the front, rear, right side and left side elevational views thereof in the corresponding retracted position being mirror images of the views shown in respective FIGS. 10-13 and the top and bottom plan views thereof in the corresponding retracted position being mirror images of the views shown in respective FIGS. 14 and 15.

The broken line representations in the figures are for the purpose of illustration only, and form no part of the claimed design.

The plumbing fitting is shown broken away in one portion in order to indicate that a specific length of this portion of the design forms no part of the claimed design.

In a preferred embodiment, the nature of this product is as a plumbing fitting in the form of an articulating faucet having movable components and used to wash various items and/or body parts.

1 Claim, 10 Drawing Sheets



U.S. PATENT DOCUMENTS

D464,711 S	*	10/2002	Warshawsky	D23/243
D492,393 S	*	6/2004	Herring et al.	D23/243
D534,992 S	*	1/2007	Lobermeier et al.	D23/243
D535,356 S	*	1/2007	Kuran et al.	D23/238
D540,435 S	*	4/2007	Wilcox et al.	D23/243
D551,324 S	*	9/2007	Wilcox et al.	D23/243
D560,762 S	*	1/2008	Eckhaus	D23/249
D562,947 S	*	2/2008	Zhang	D23/243
D576,705 S	*	9/2008	McKeone	D23/238
D579,080 S	*	10/2008	Zhang	D23/238
D585,111 S	*	1/2009	Eilmus	D23/238
D589,121 S	*	3/2009	McKeone	D23/238
D599,893 S	*	9/2009	Sieger	D23/255
D606,173 S	*	12/2009	Sieger	D23/255

OTHER PUBLICATIONS

U.S. Appl. No. 29/279,839, filed May 8, 2007 Mueller et al.
U.S. Appl. No. 29/279,818, filed May 8, 2007, Mueller et al.

U.S. Appl. No. 29/321,521, filed May 8, 2007, McKeone.
Danze. "Pot Filler Kitchen Faucet". Faucet.com online catalog. Copyright 1994-2007 Faucet.com.
Kohler Co. "Margaux single-control lavatory faucet". Model No. K-16230-4. Kohler Co. online catalog. Copyright 2007 Kohler Co.
Kohler Co. "Fountainhead integral laminar faucet". Model No. K-2443-4. Kohler Co. online catalog. Copyright 2007 Kohler Co.
Danz. "Deck Mount Pot Filler—Parma Collection". PlumbingSupply.com online catalog. Copyright 1995-2008 PlumbingSupply.com.
Elements of Design. "NuVo Pot Filler Faucets". PlumbingSupply.com online catalog. Copyright 1995-2008 PlumbingSupply.com.
Danze. "Quality Wall Mount Pot Filler Faucets—Melrose Collection". PlumbingSupply.com online catalog. Copyright 1995-2008 PlumbingSupply.com.
Cucina. "Porto Pot Filler Faucets". PlumbingSupply.com online catalog. Copyright 1995-2008 PlumbingSupply.com.
Blanco. "Wall-Mounted Pot Filler". Model No. 157-065-CR—chrome or 157-065-ST—stainless steel. PlumbingSupply.com online catalog. Copyright since 1995 PlumbingSupply.com.

* cited by examiner

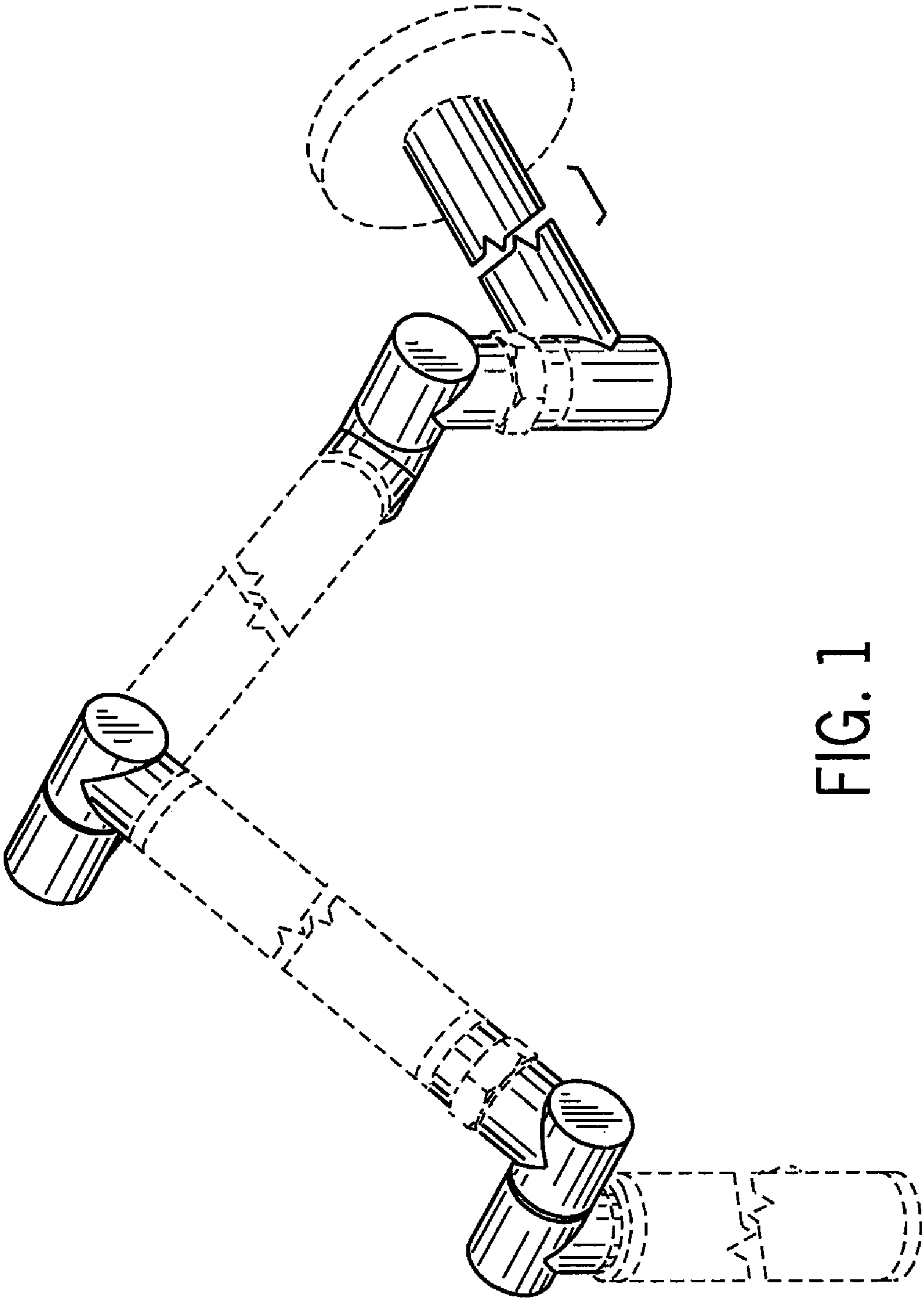


FIG. 1

FIG. 3

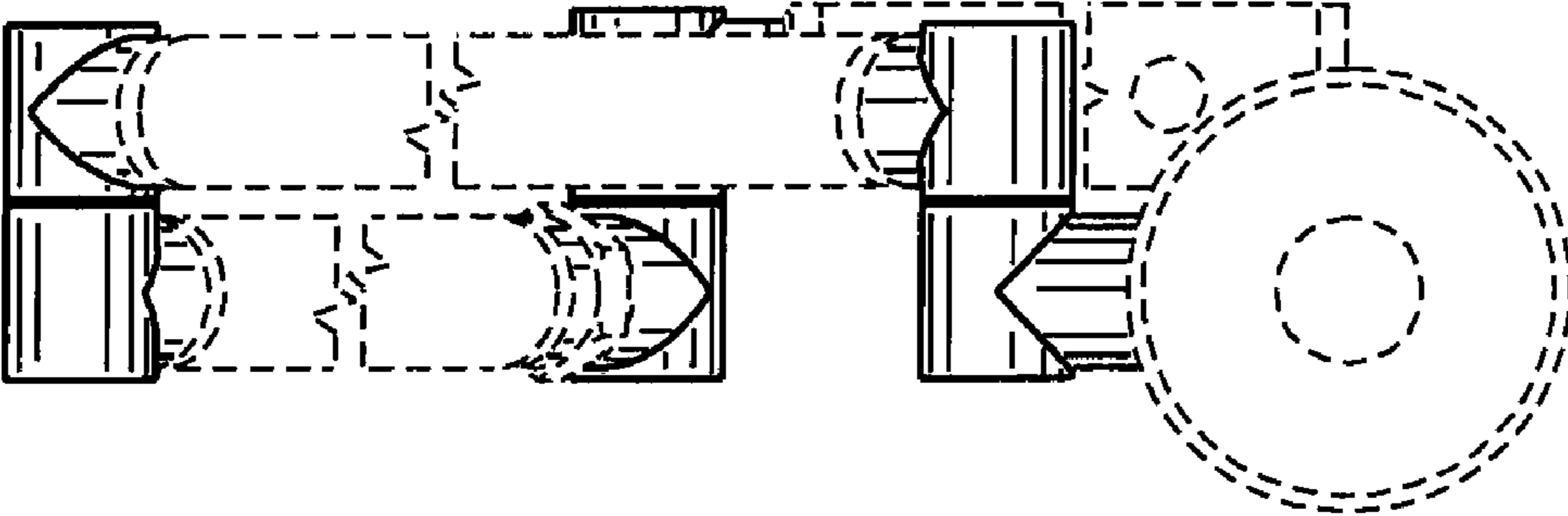


FIG. 2

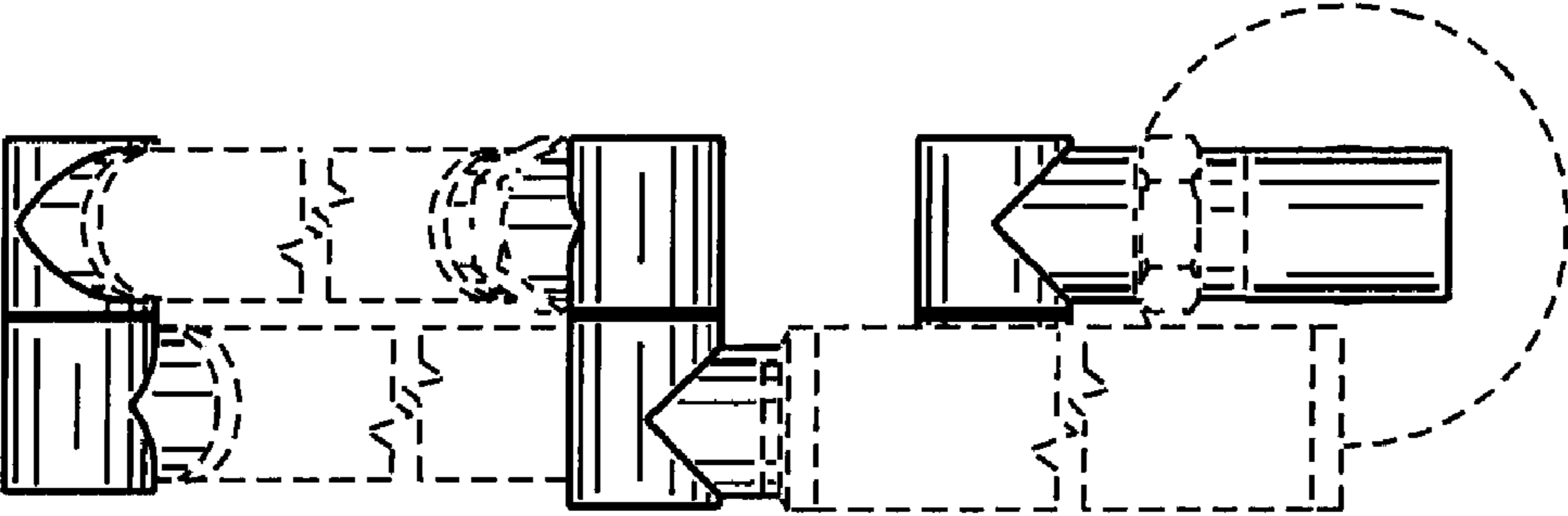
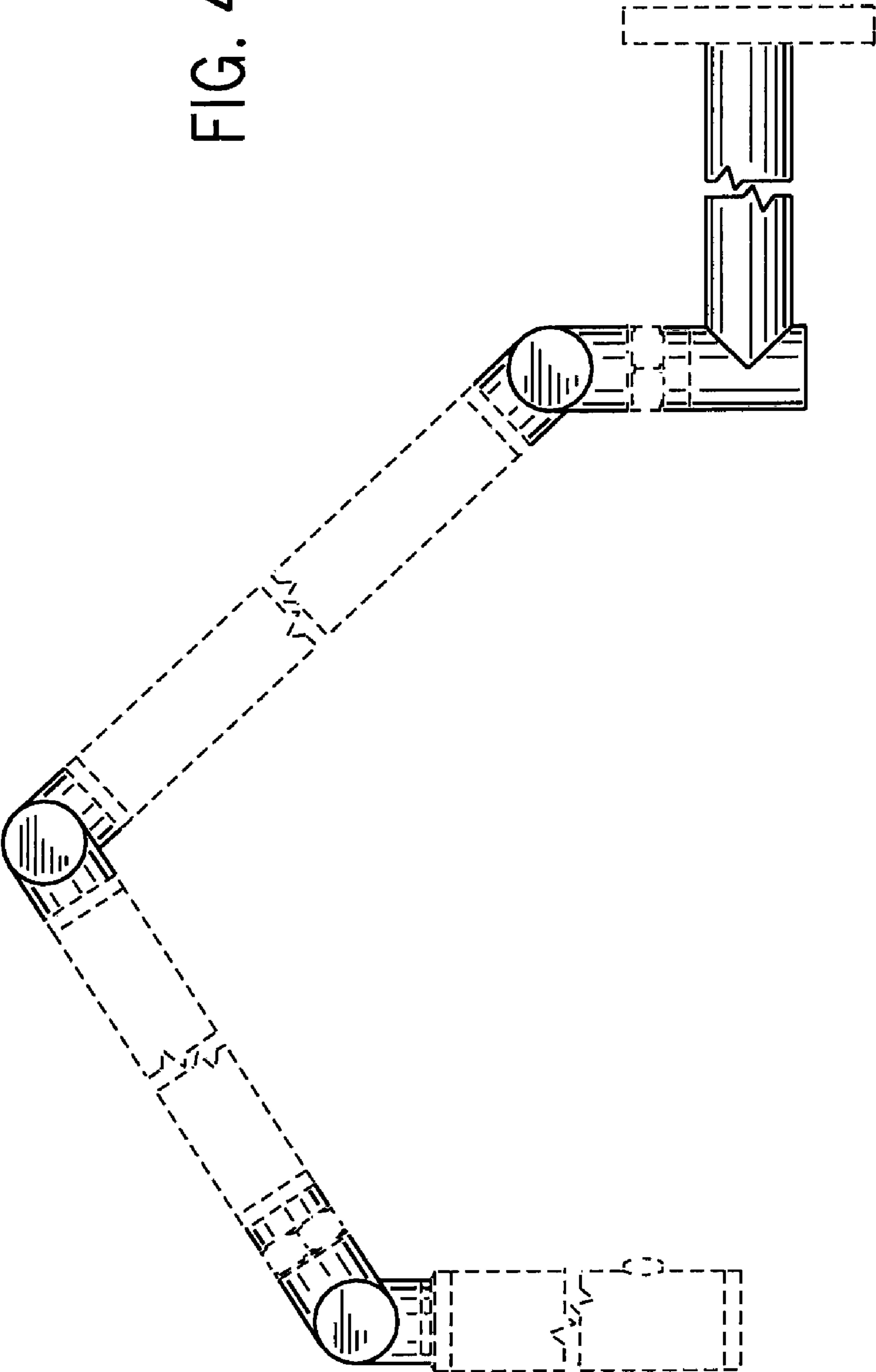


FIG. 4



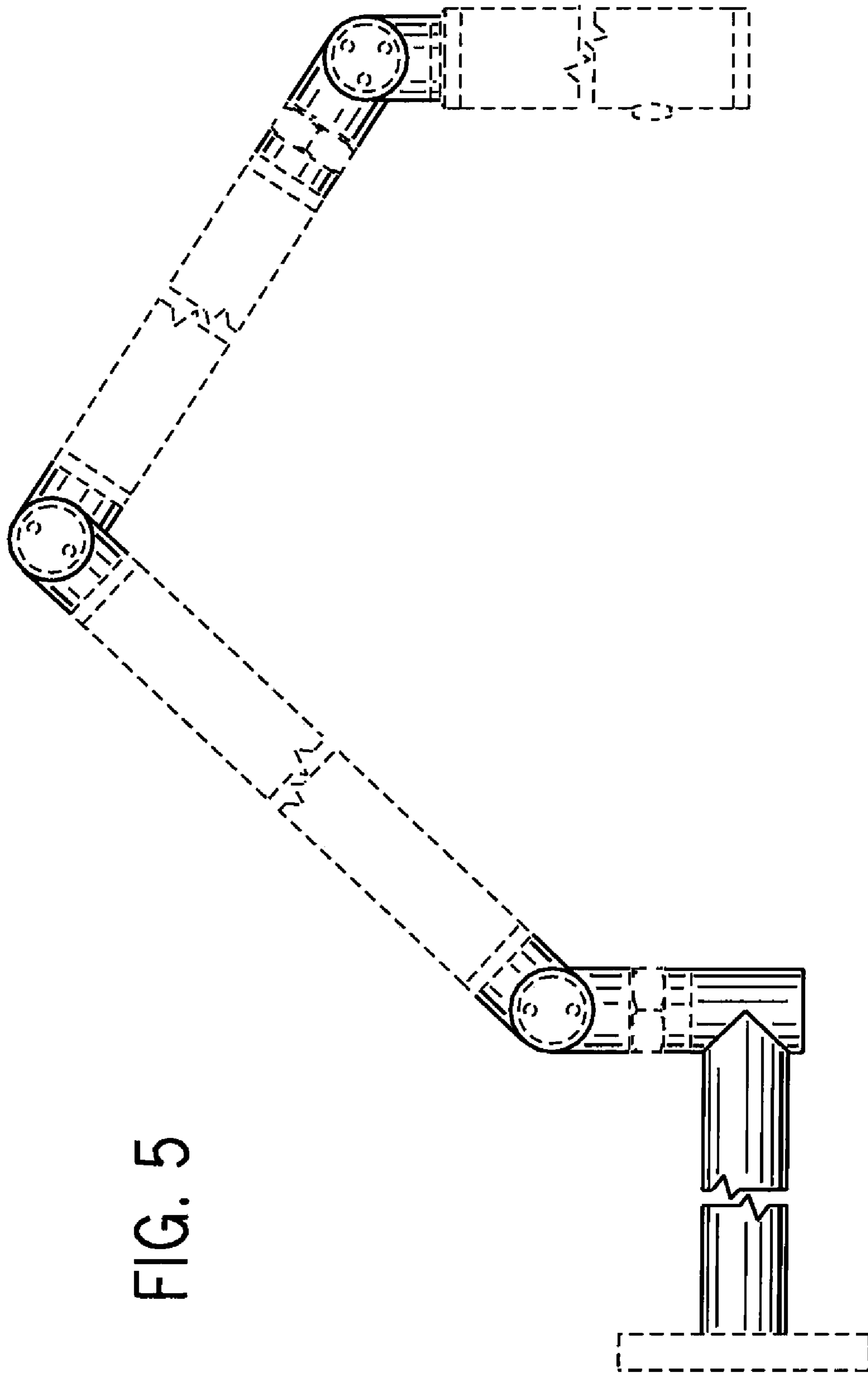


FIG. 5

FIG. 6

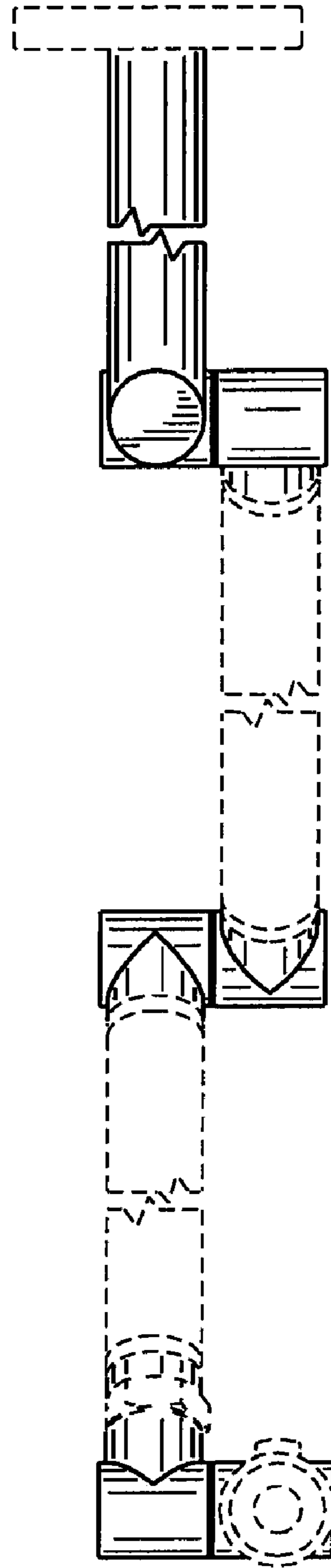
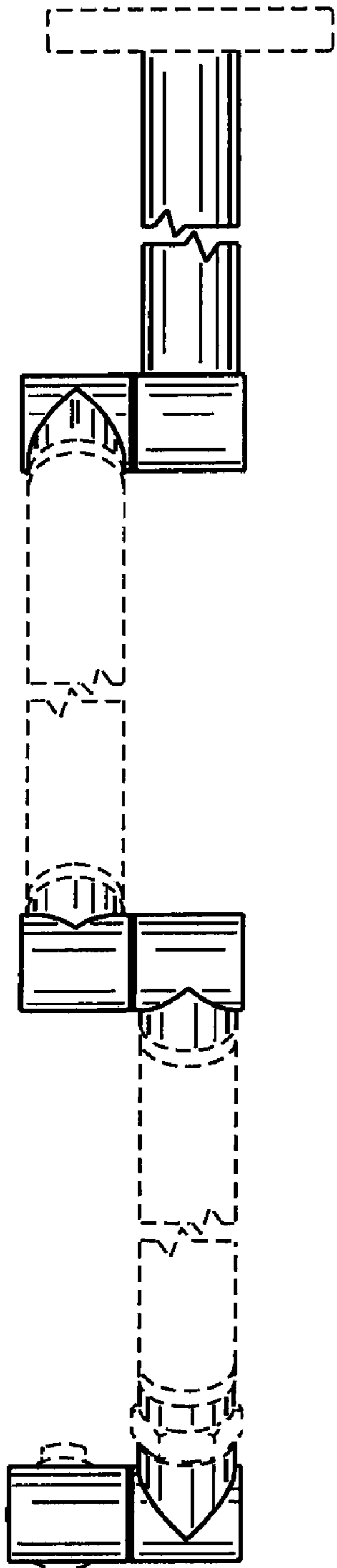


FIG. 7

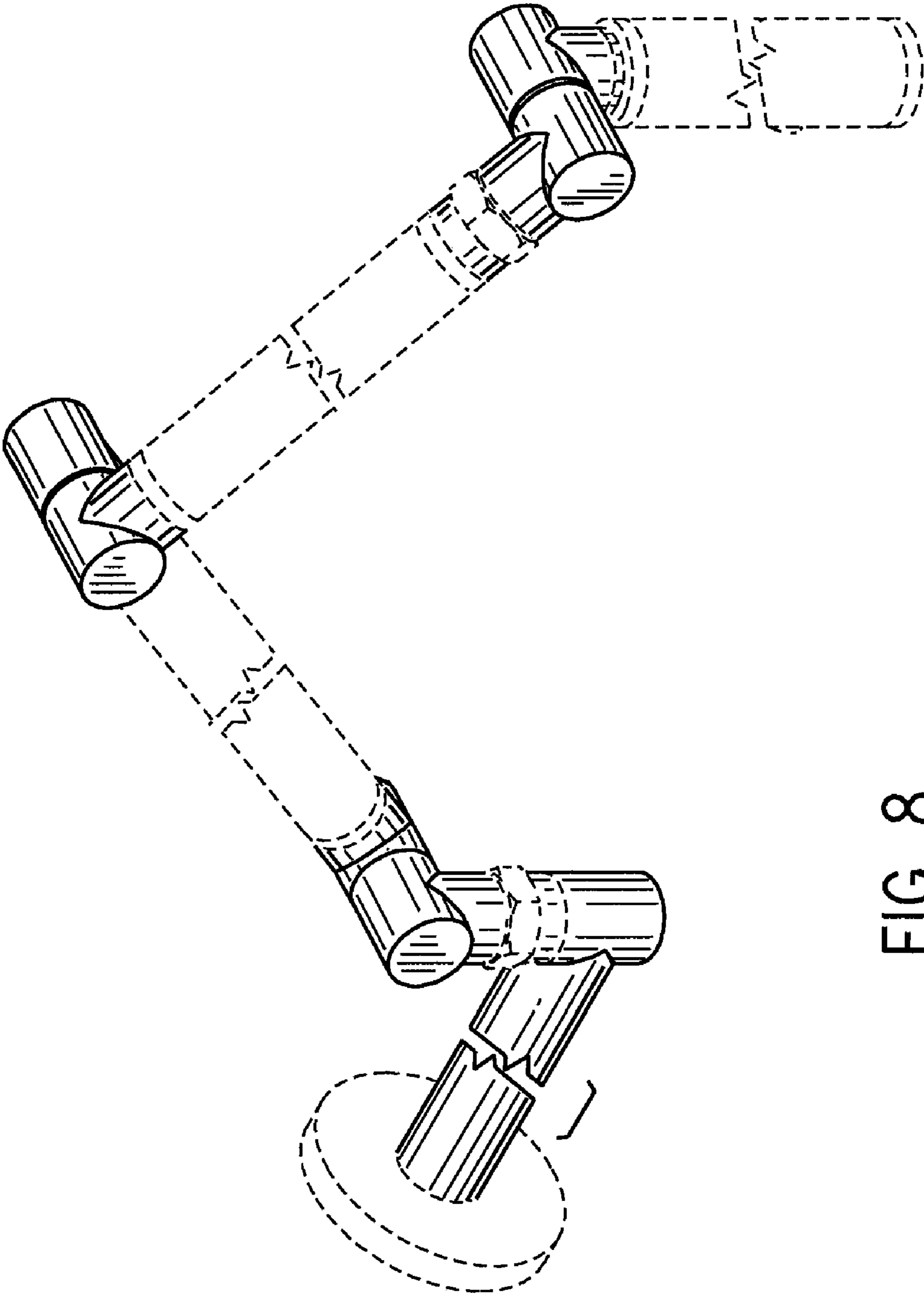


FIG. 8

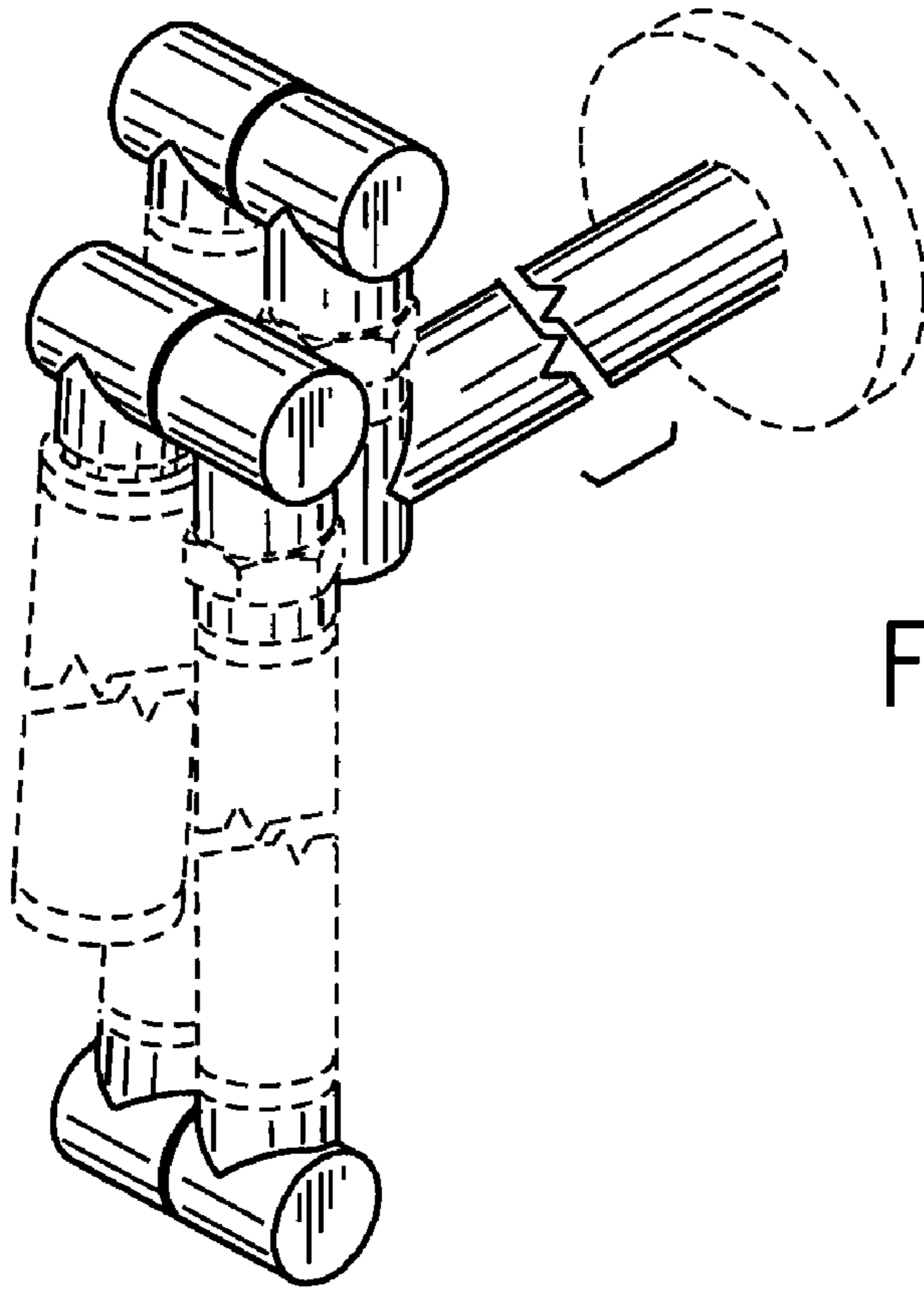


FIG. 9

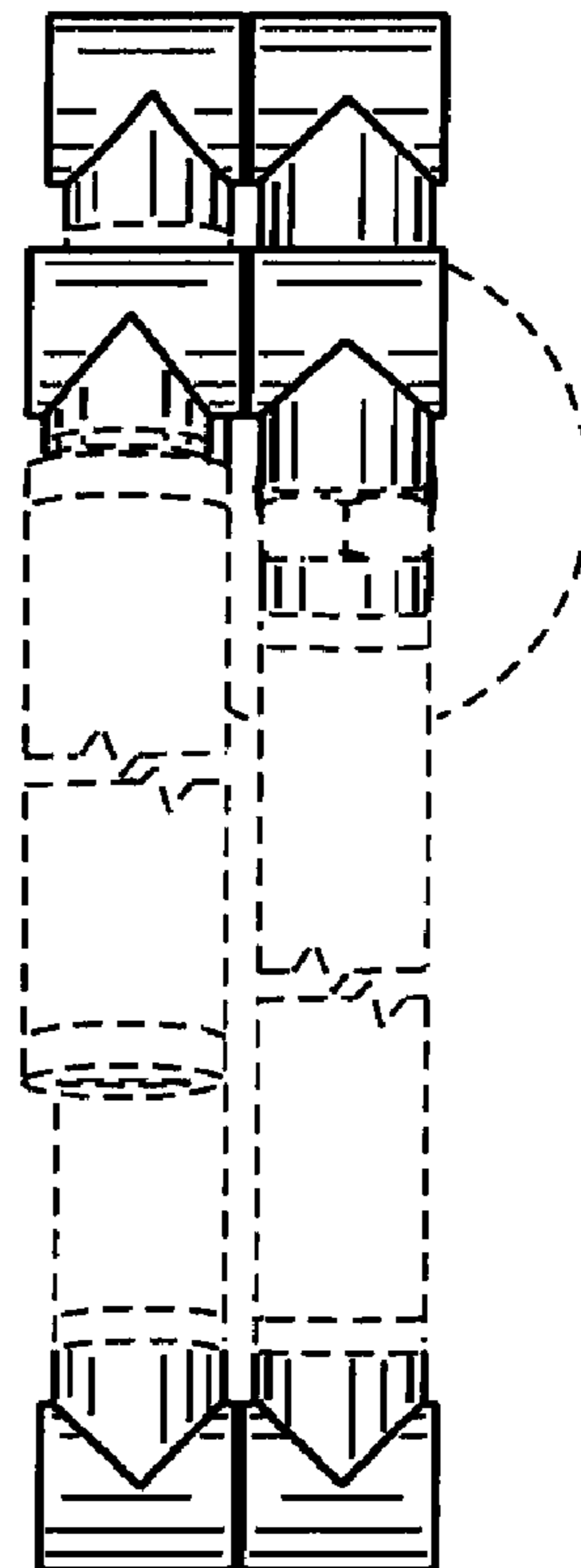


FIG. 10

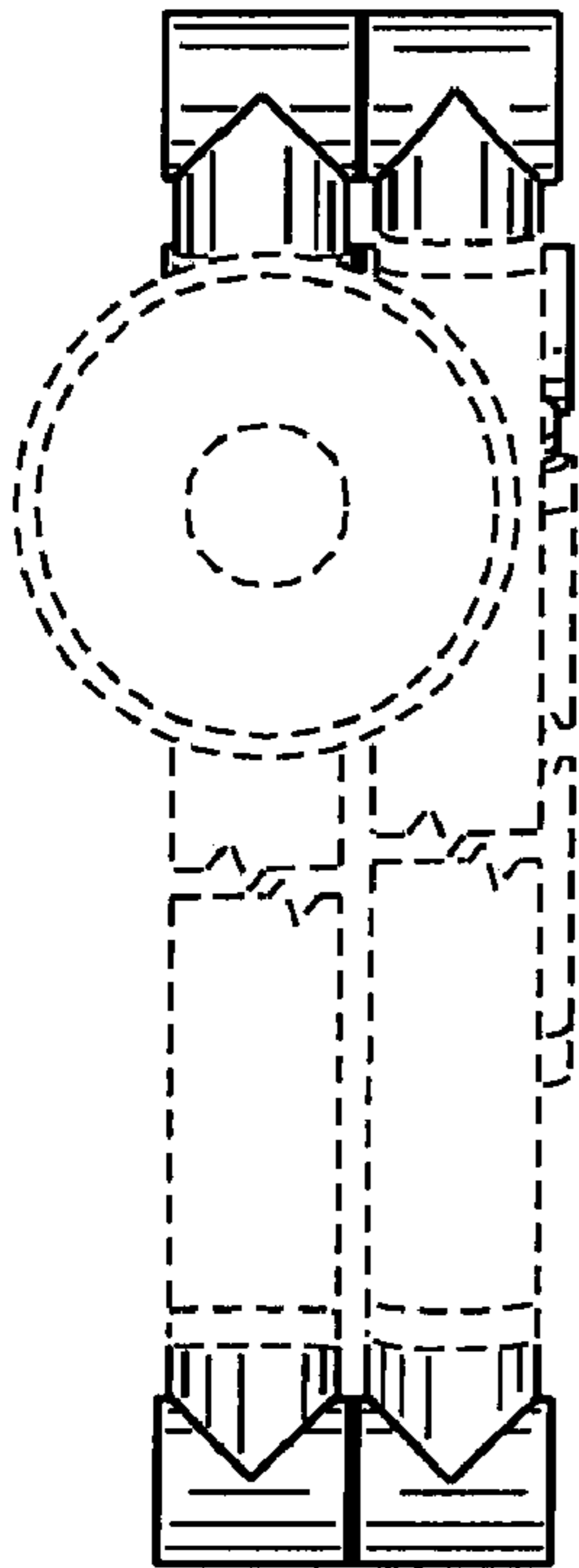


FIG. 11

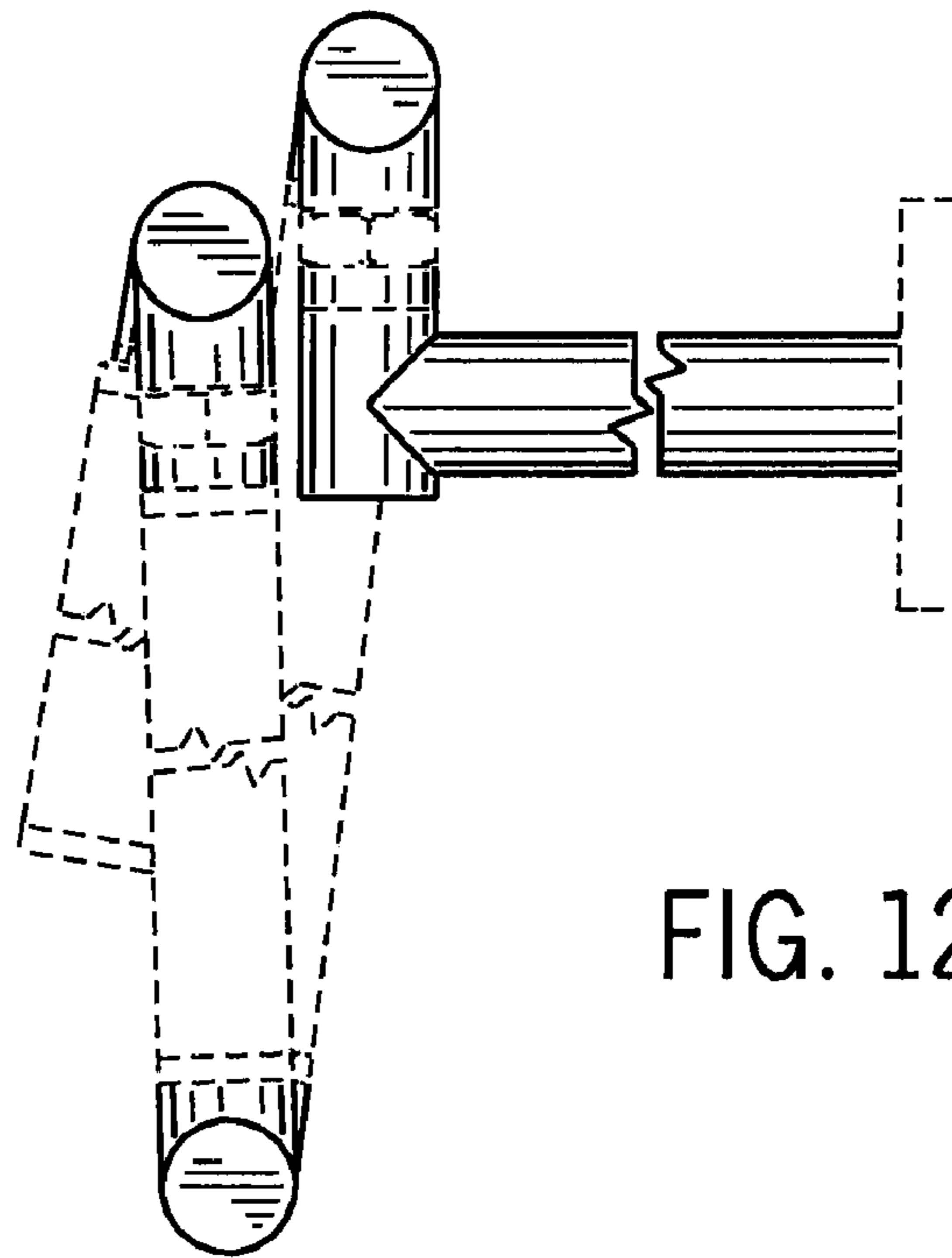


FIG. 12

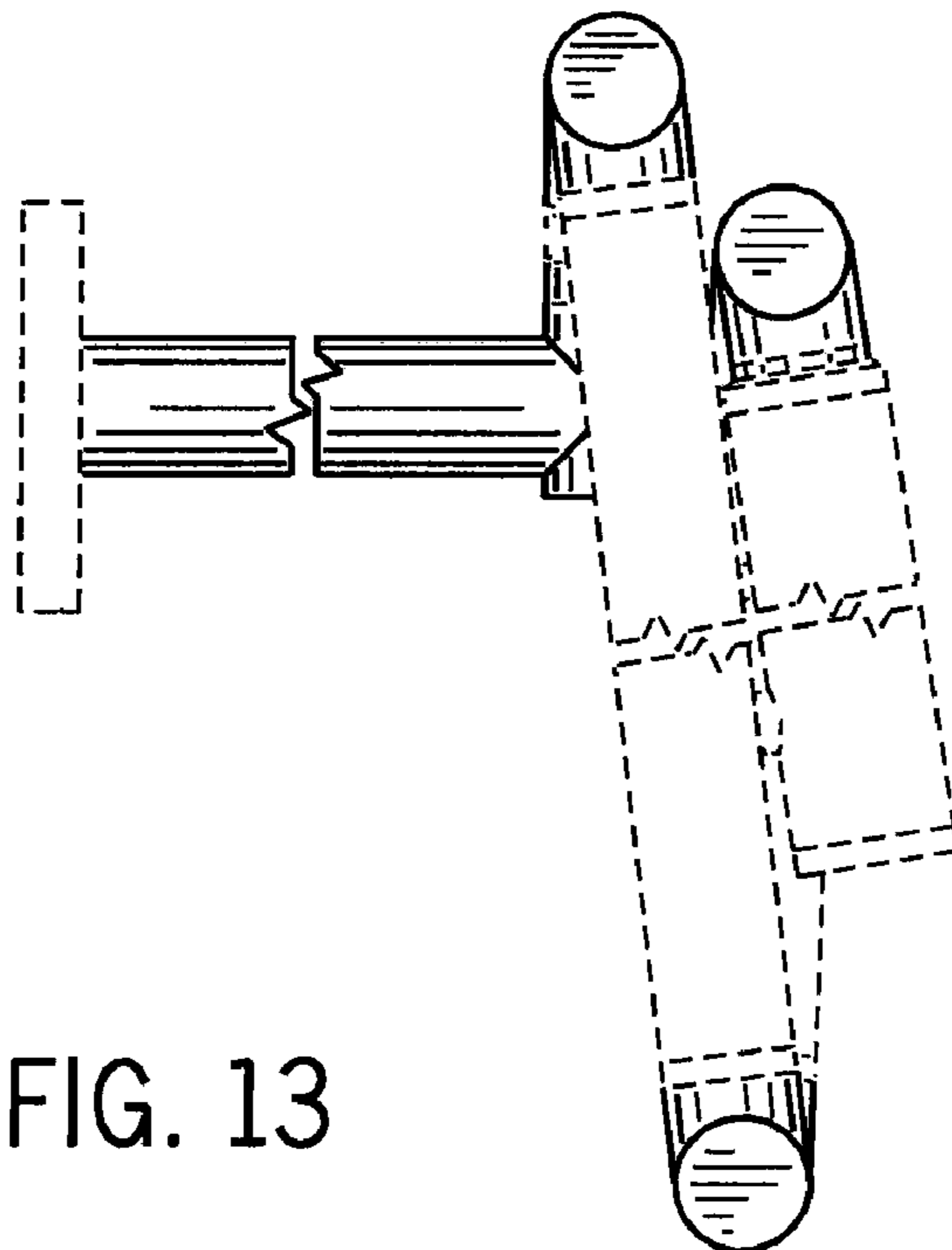


FIG. 13

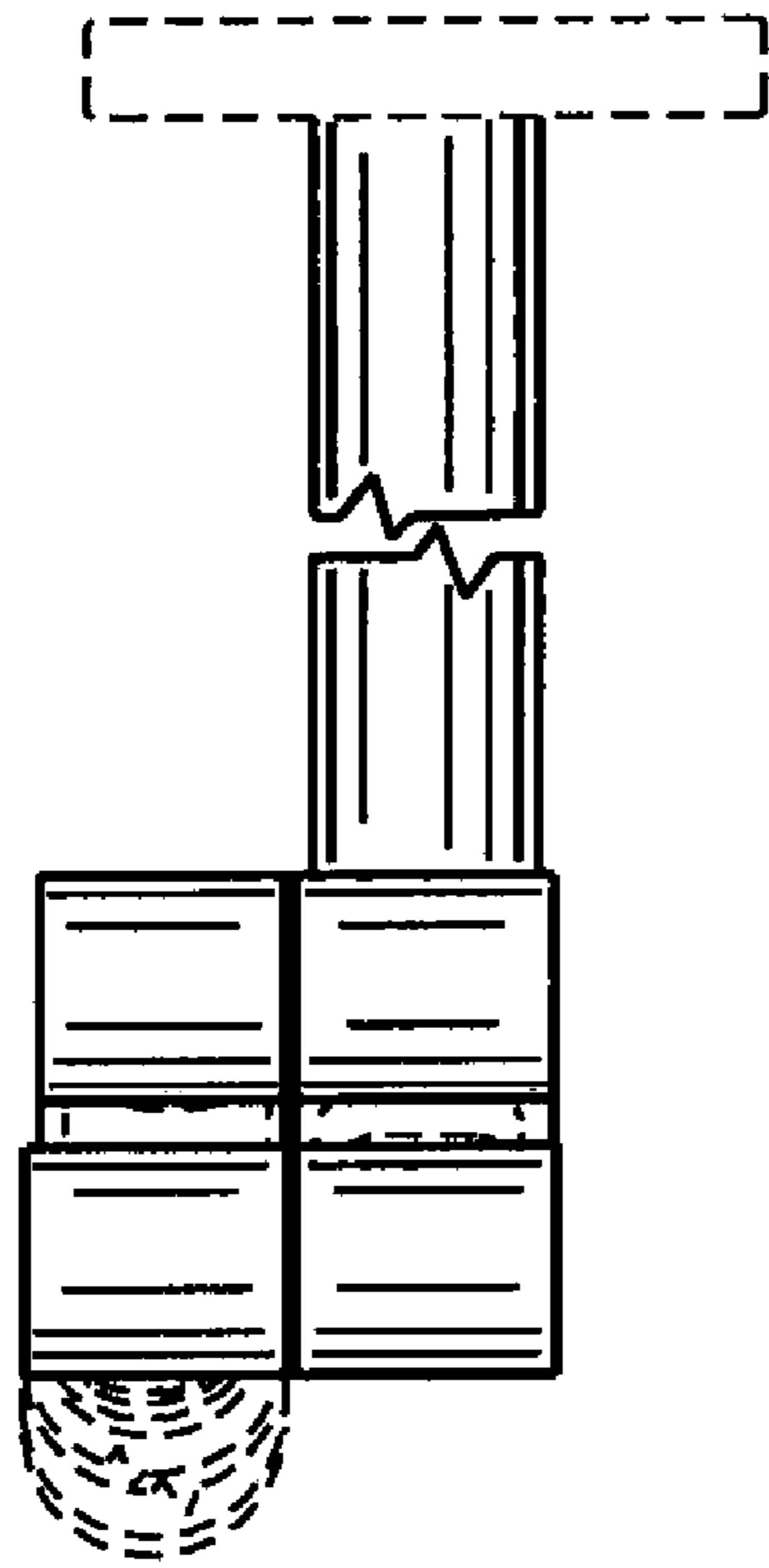


FIG. 14

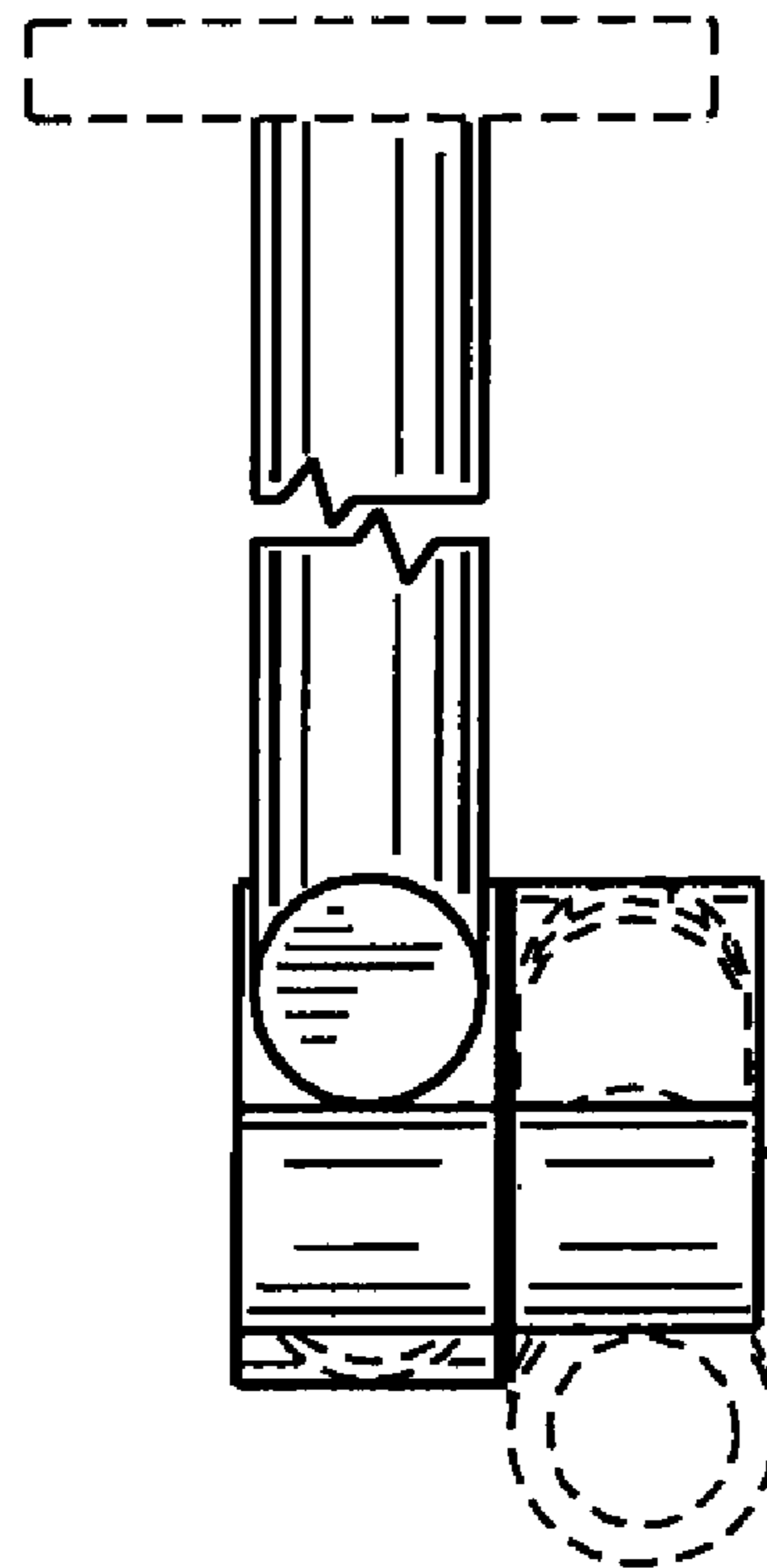


FIG. 15

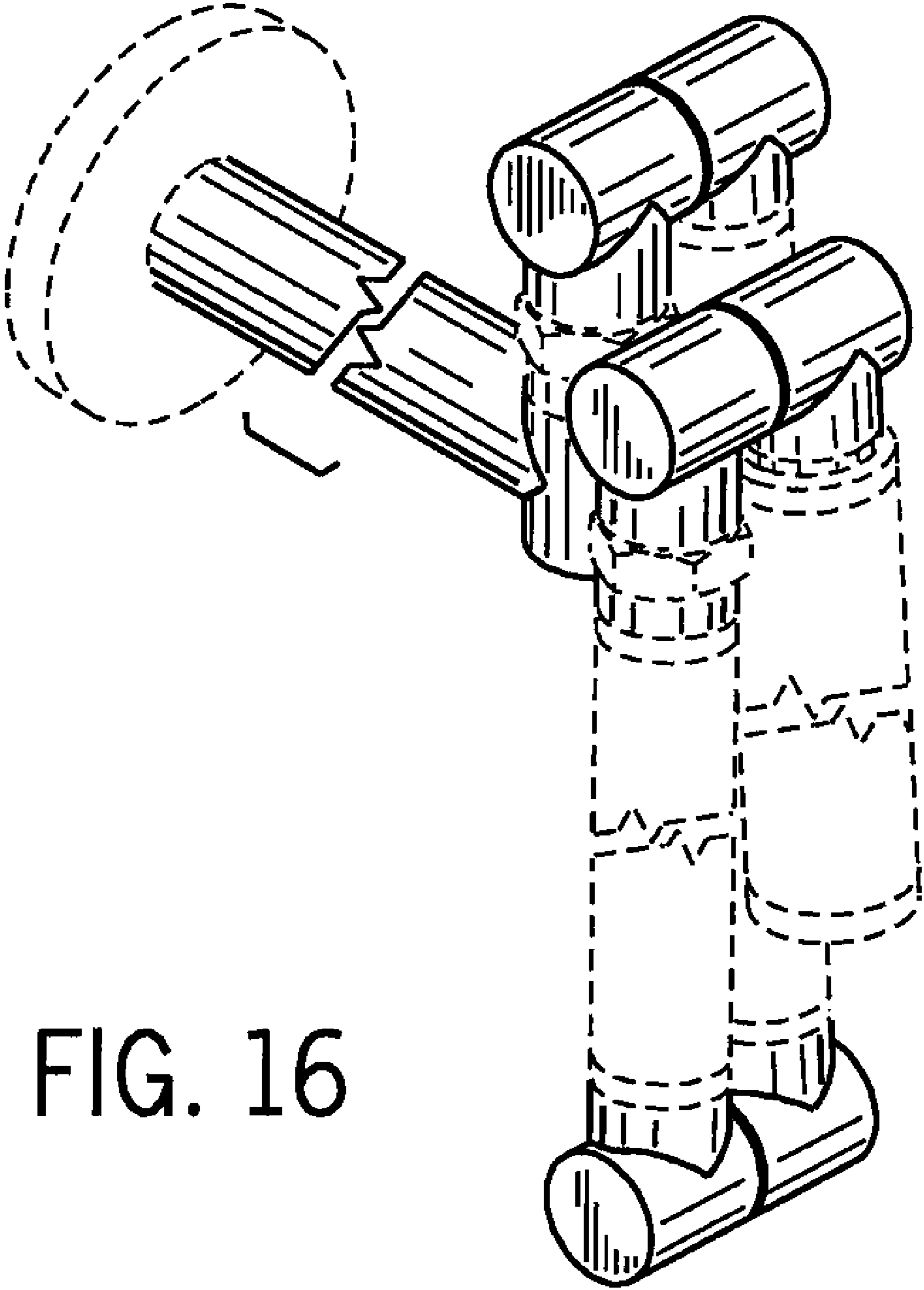


FIG. 16