



US00D620556S

(12) **United States Design Patent**
Hillhouse et al.

(10) **Patent No.:** **US D620,556 S**
(45) **Date of Patent:** **** Jul. 27, 2010**

(54) **COMBINED SPRAYER TANK CAP AND PRESSURE RELIEF VALVE**

2007/0272763 A1* 11/2007 Dunne et al. 239/8
2008/0105763 A1* 5/2008 Fahy et al. 239/373

(75) Inventors: **Donald Hillhouse**, Silver Springs, NY (US); **James R. Fontaine**, Marilla, NY (US)

* cited by examiner

Primary Examiner—Cathron C. Brooks

Assistant Examiner—Maurice Stevens

(73) Assignee: **Chapin Manufacturing, Inc.**, Batavia, NY (US)

(74) *Attorney, Agent, or Firm*—Kenneth J. Lukacher; Martin Lukacher

(**) Term: **14 Years**

(57) **CLAIM**

(21) Appl. No.: **29/258,705**

The ornamental design for a combined sprayer tank cap and pressure relief valve, as shown and described.

(22) Filed: **Apr. 26, 2006**

DESCRIPTION

(51) **LOC (9) Cl.** **23-01**

(52) **U.S. Cl.** **D23/235**

(58) **Field of Classification Search** D23/233,
D23/225, 202–205; D8/2; 239/308, 154,
239/320, 373, 310

FIG. 1 is a perspective elevational view taken from the top of a combined sprayer tank cap and pressure relief valve showing our new design;

FIG. 2 is a top, front and right side perspective view thereof;

FIG. 3 is a right, front and top perspective view of the pressure relief valve, shown separately for ease of illustration;

FIG. 4 is a left, front and top perspective view thereof;

FIG. 5 is a right, front and bottom perspective view thereof;

FIG. 6 is a left, front and bottom perspective view thereof;

FIG. 7 is a top view thereof;

FIG. 8 is a front elevation thereof;

FIG. 9 is a right side elevational view thereof; and,

FIG. 10 is a left side elevational view thereof.

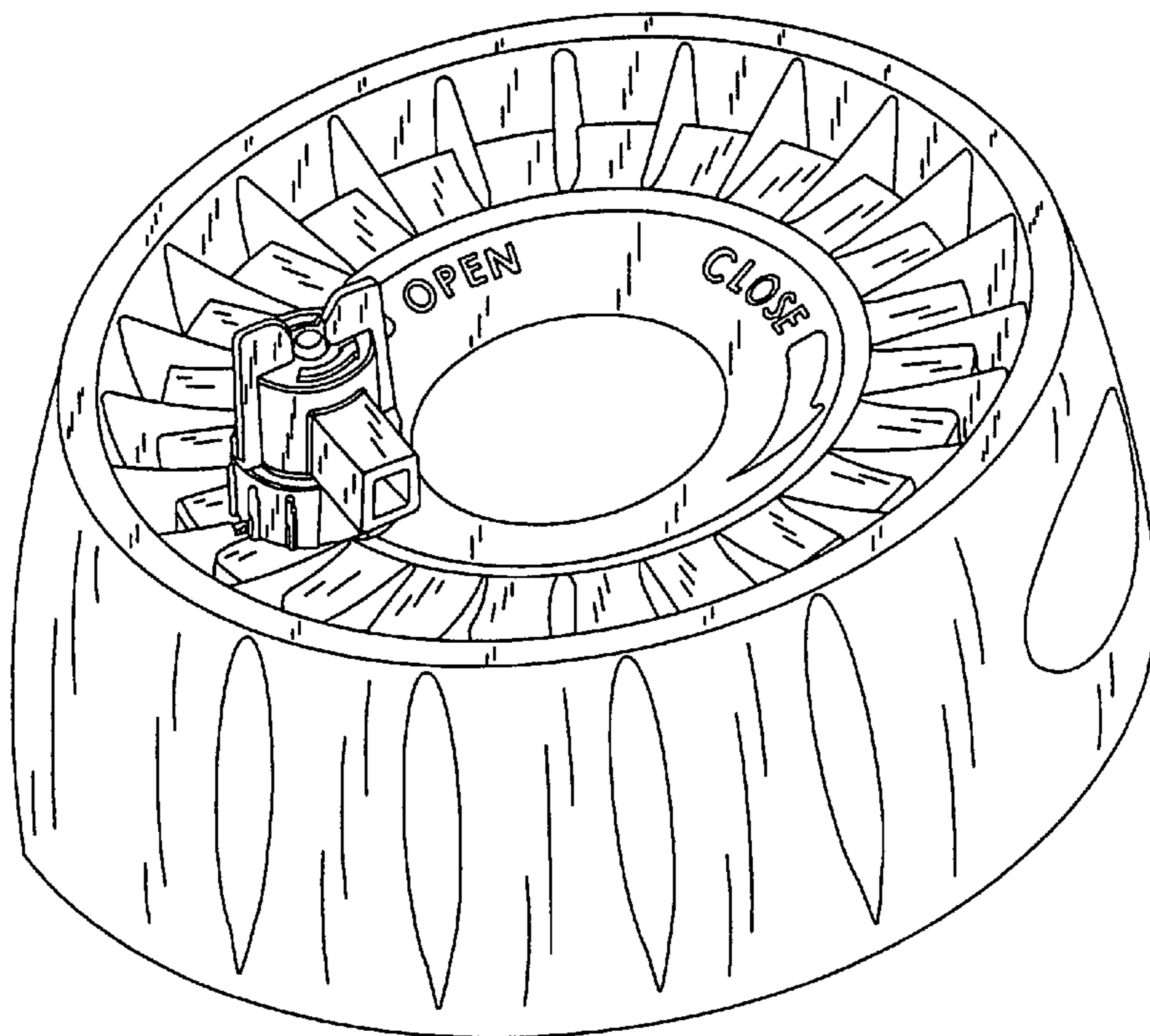
See application file for complete search history.

(56) **References Cited**

U.S. PATENT DOCUMENTS

D283,725 S *	5/1986	Mahoney	D23/235
D295,886 S *	5/1988	Dolton et al.	D23/205
D296,232 S *	6/1988	Crossman	D23/235
D299,950 S *	2/1989	Canaan et al.	D23/233
D391,626 S	3/1998	Spriegel		
6,695,228 B2	2/2004	Odessa		
7,025,878 B2	4/2006	Spriegel		
D529,577 S *	10/2006	McGiveron	D23/225
D543,495 S *	5/2007	Williams	D12/345

1 Claim, 10 Drawing Sheets



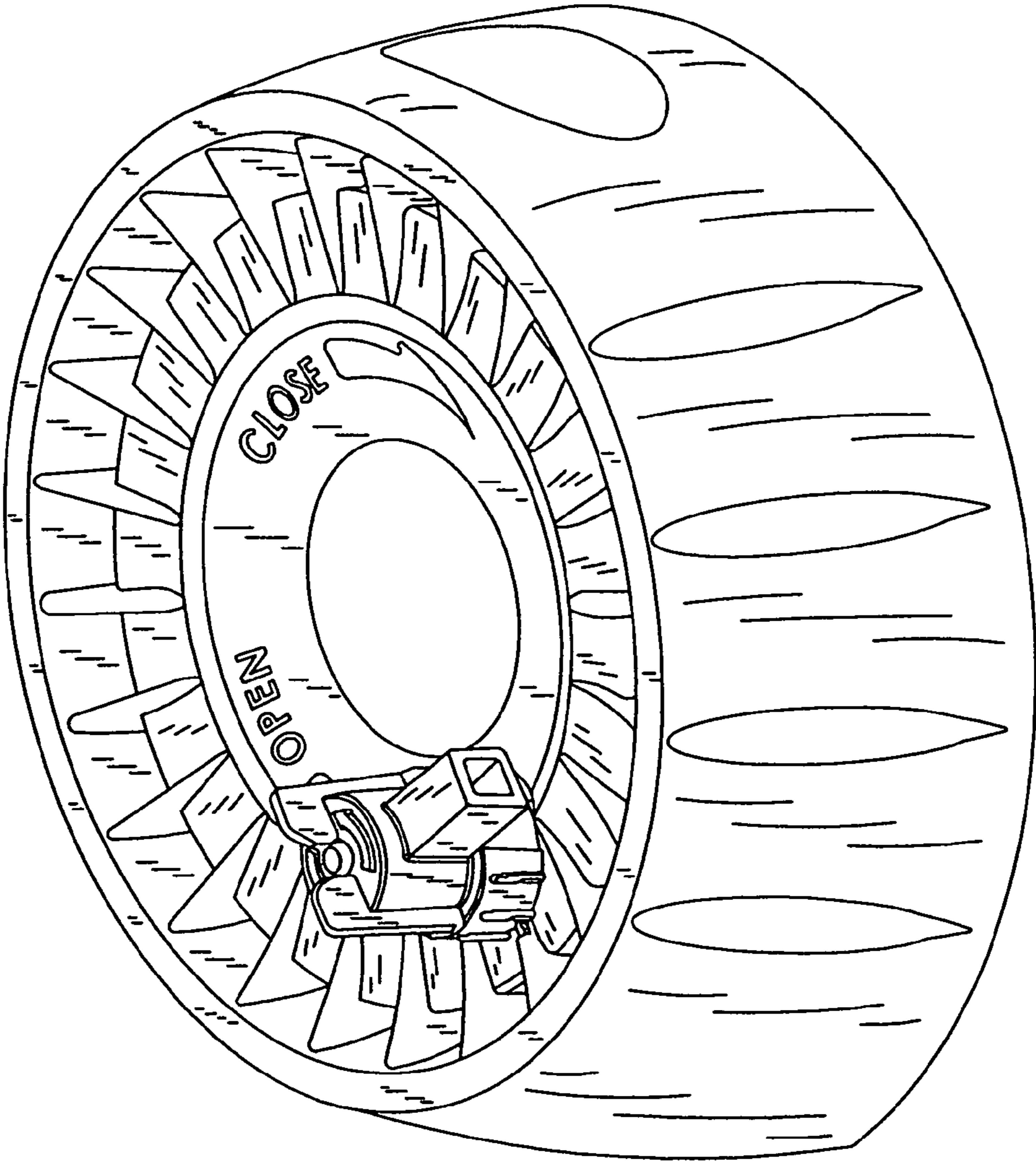


FIG. 1

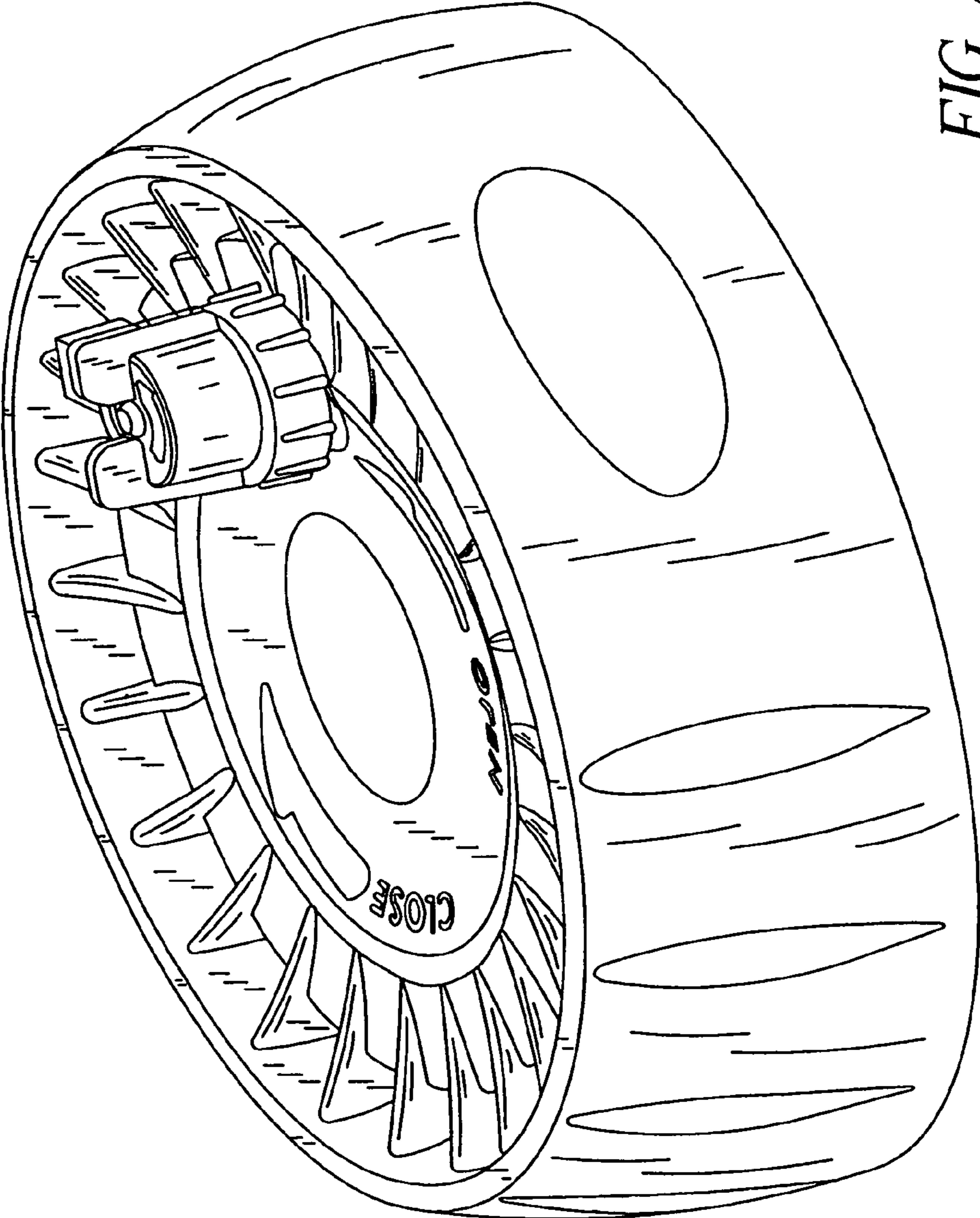


FIG. 2

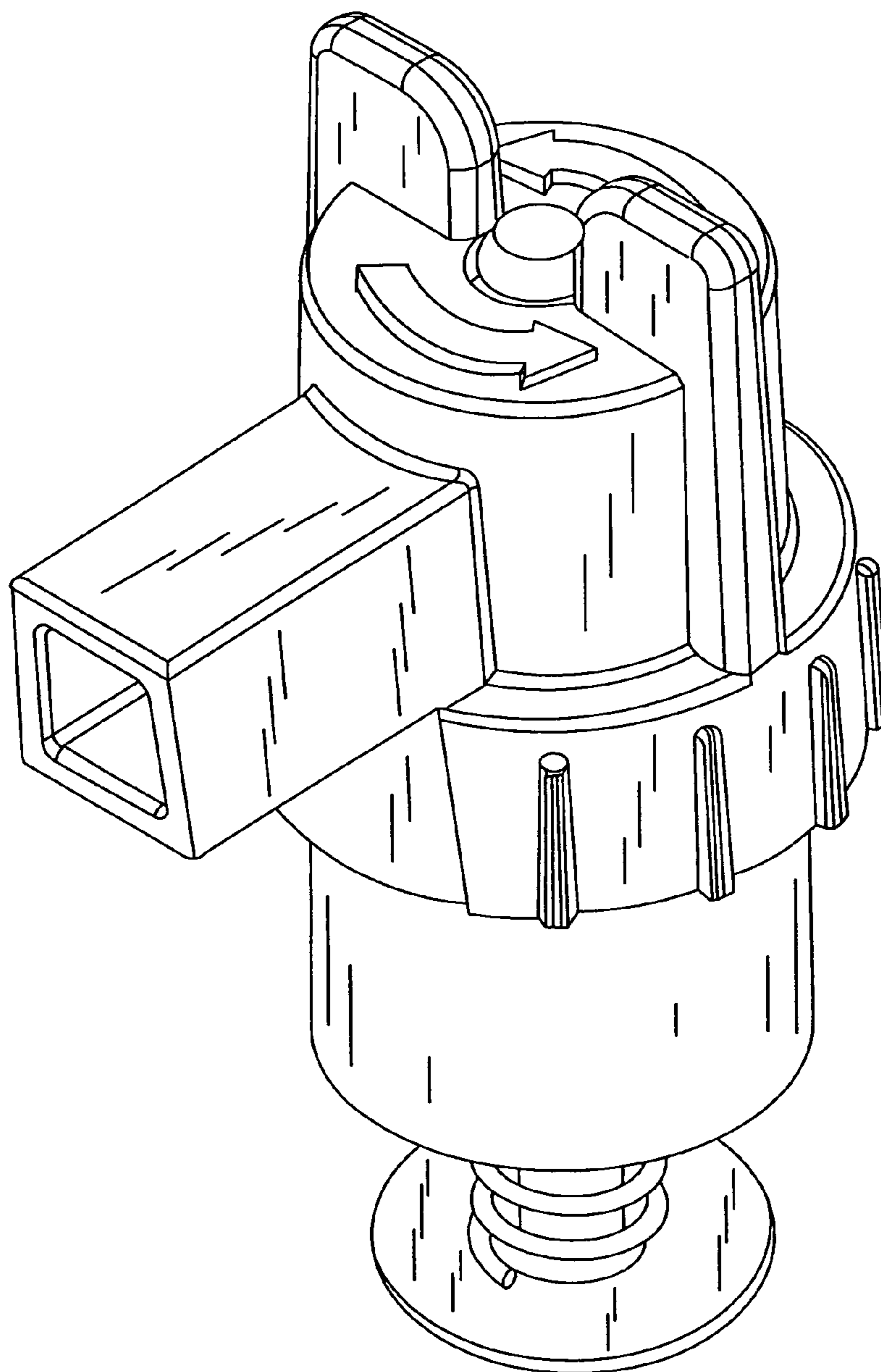


FIG. 3

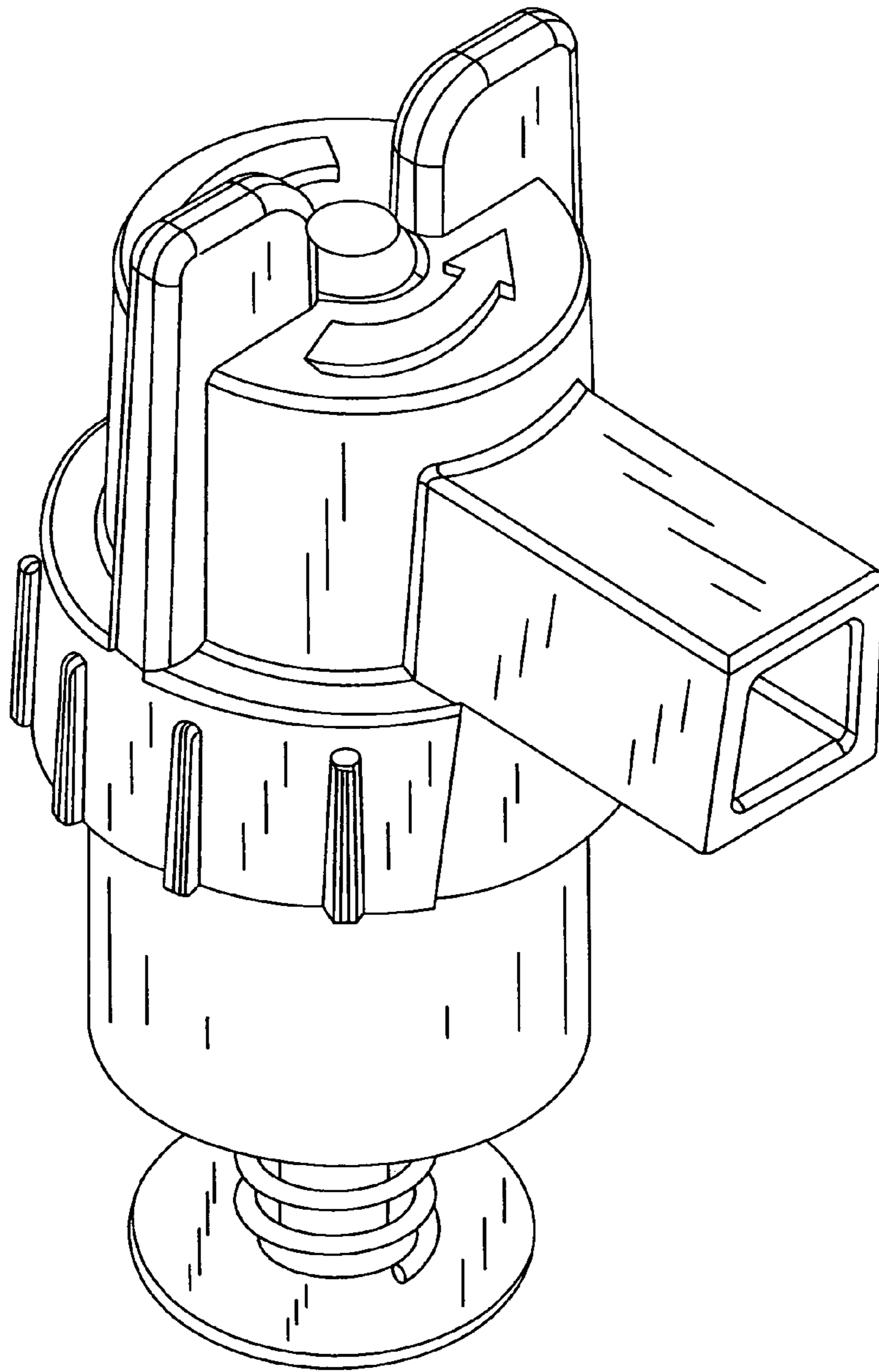


FIG. 4

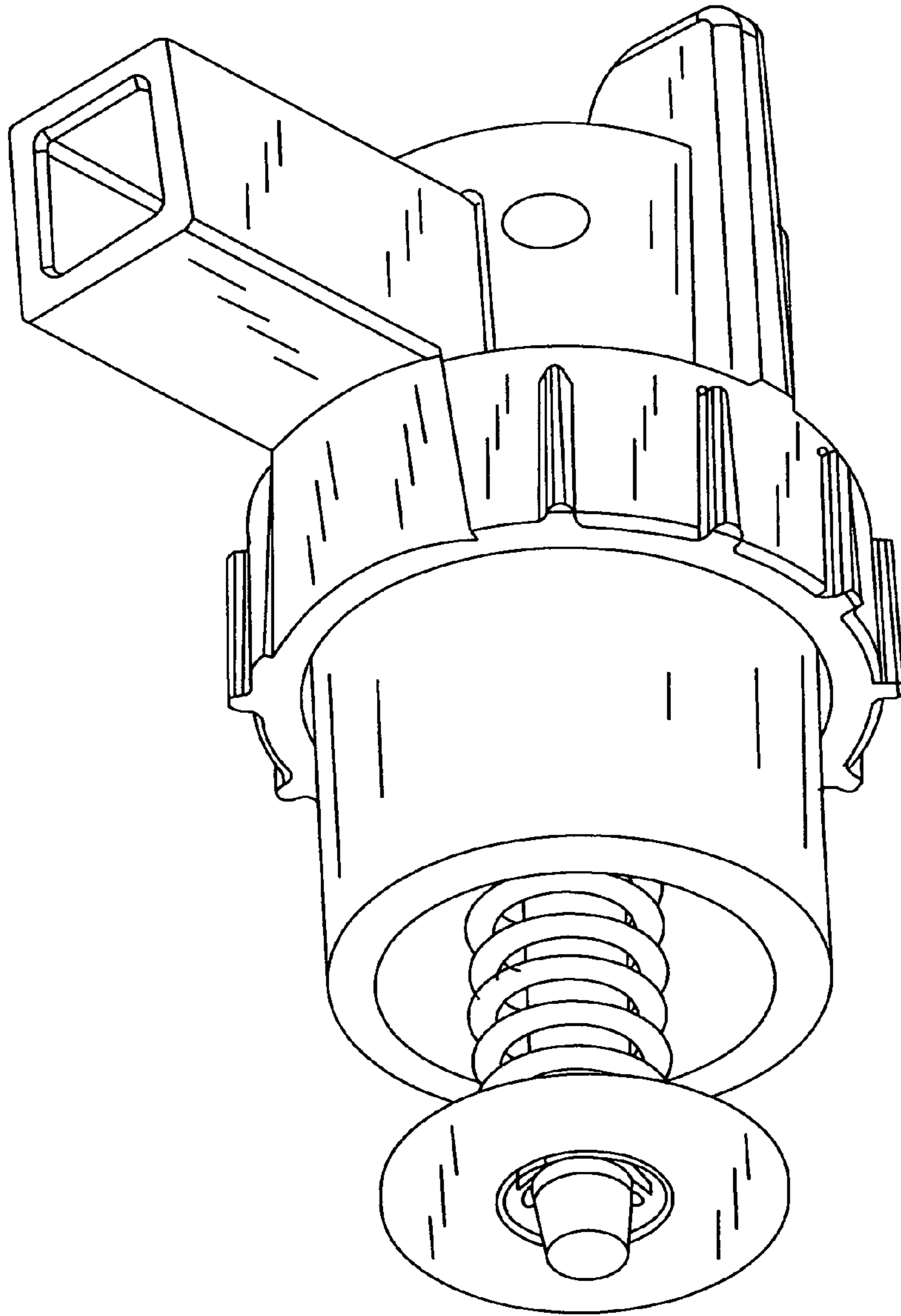


FIG. 5

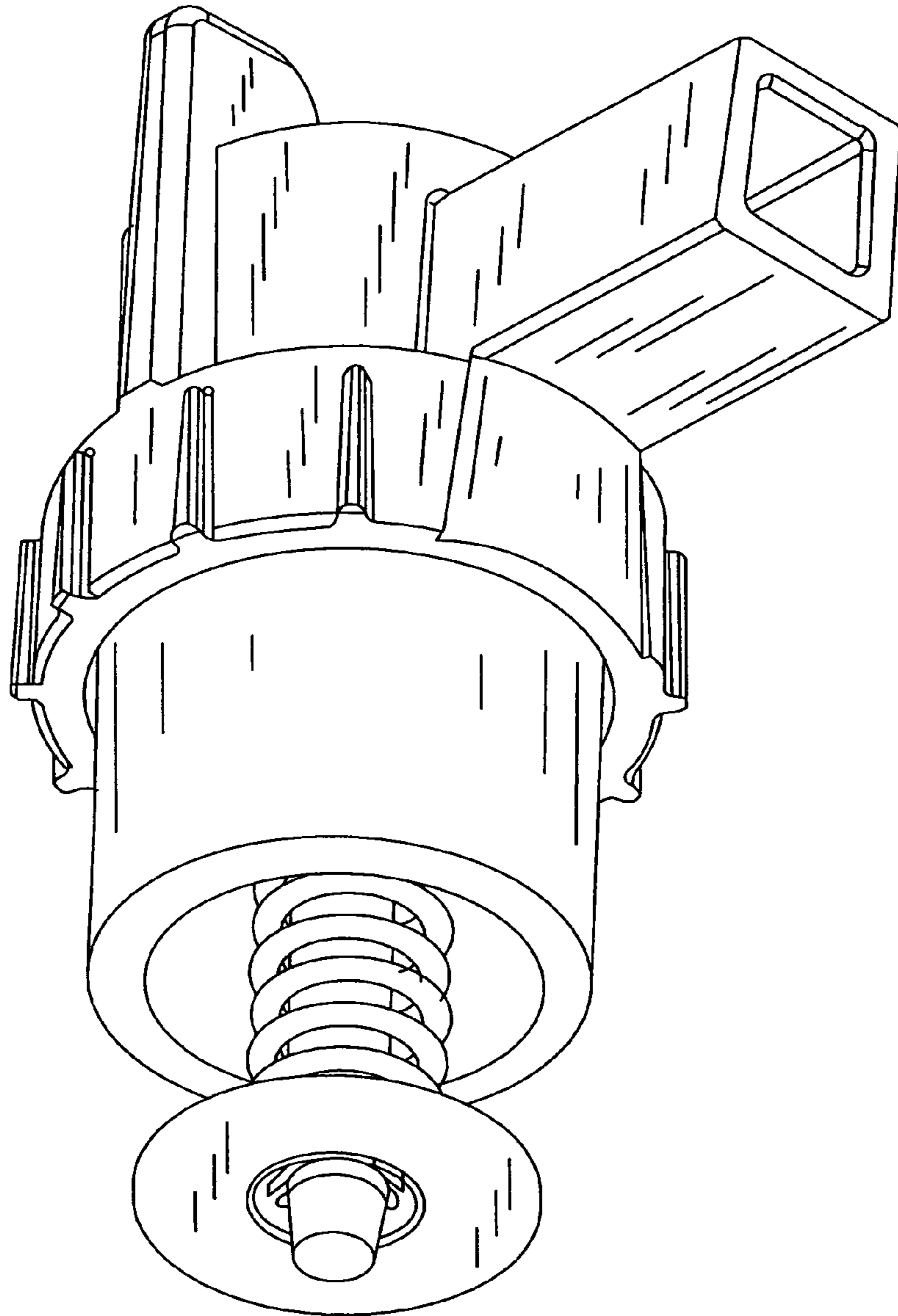


FIG. 6

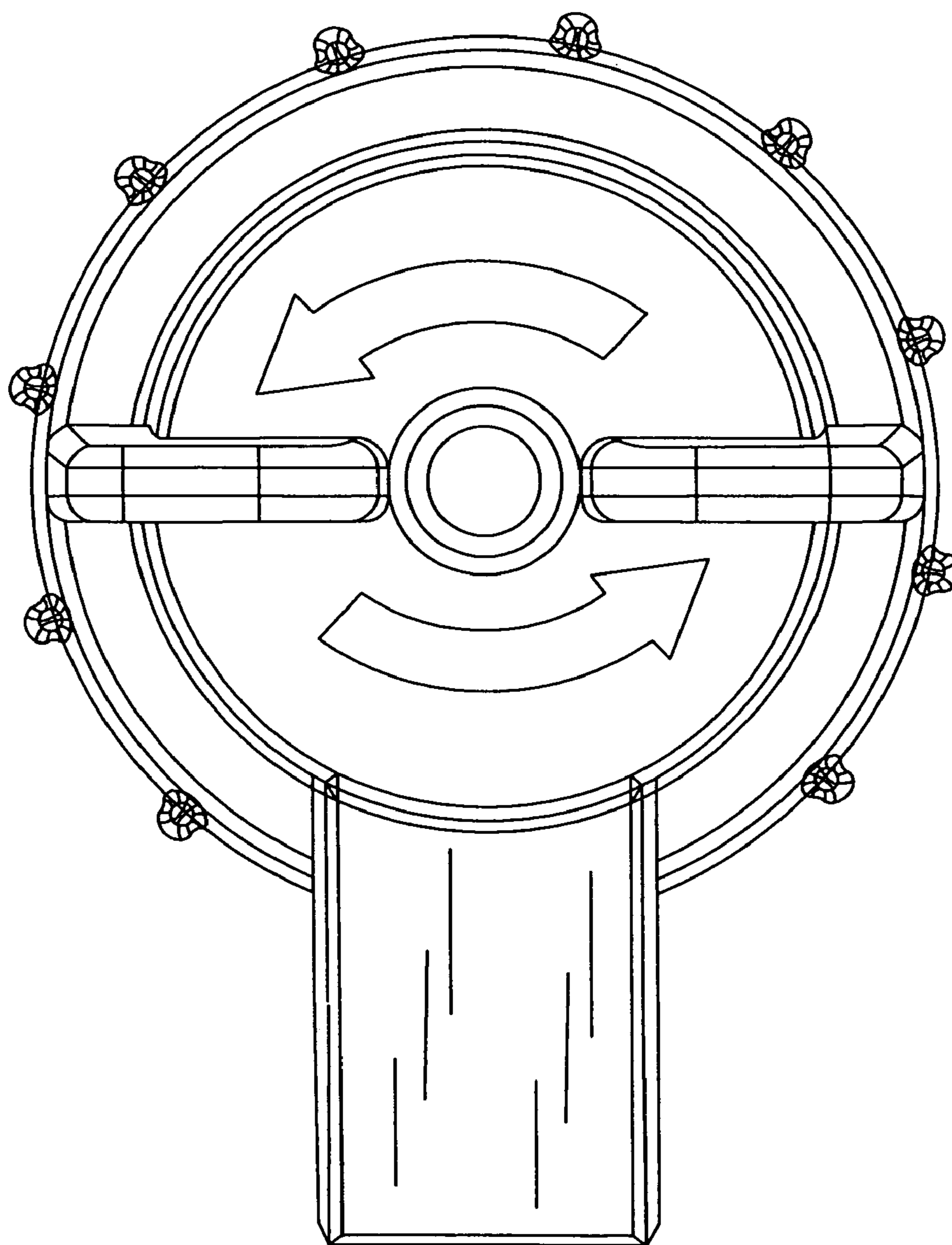


FIG. 7

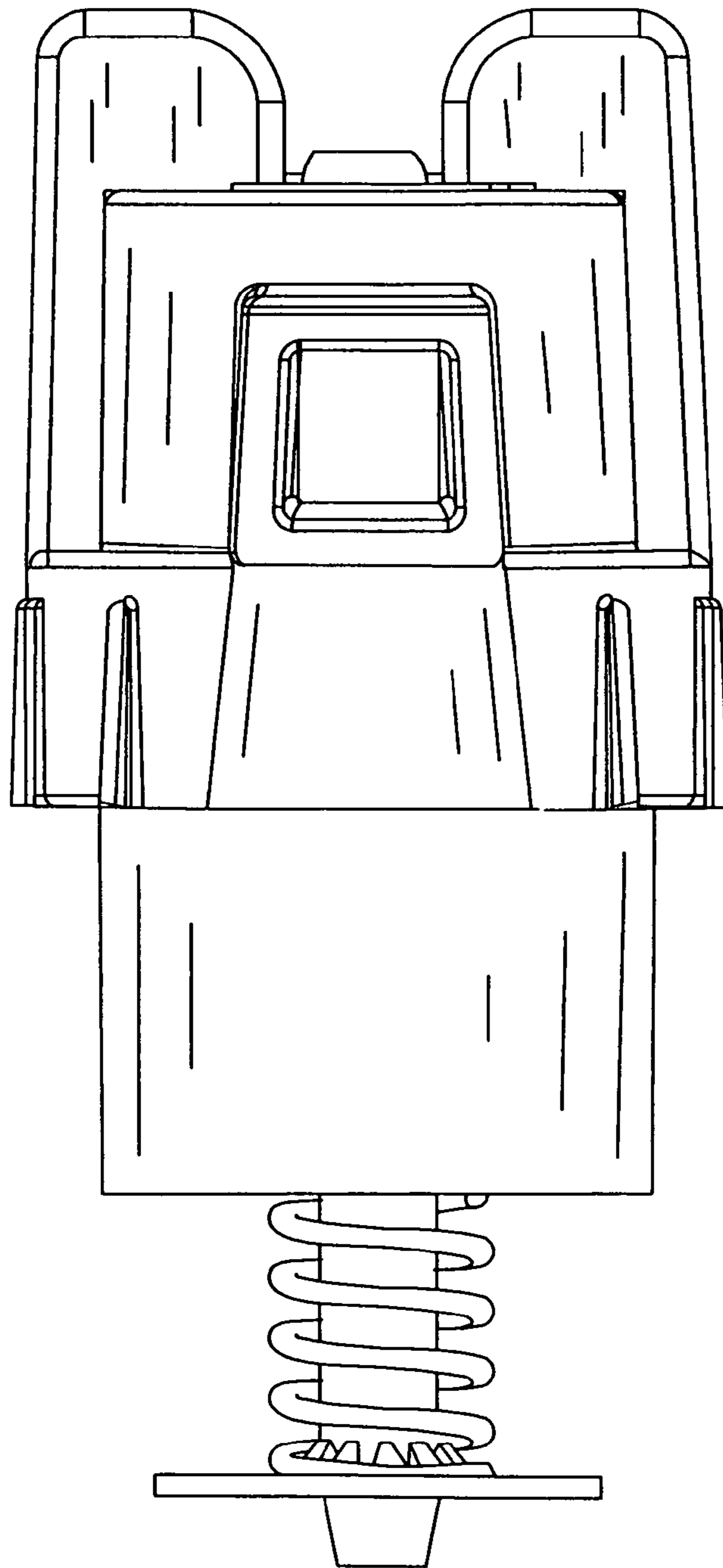


FIG. 8

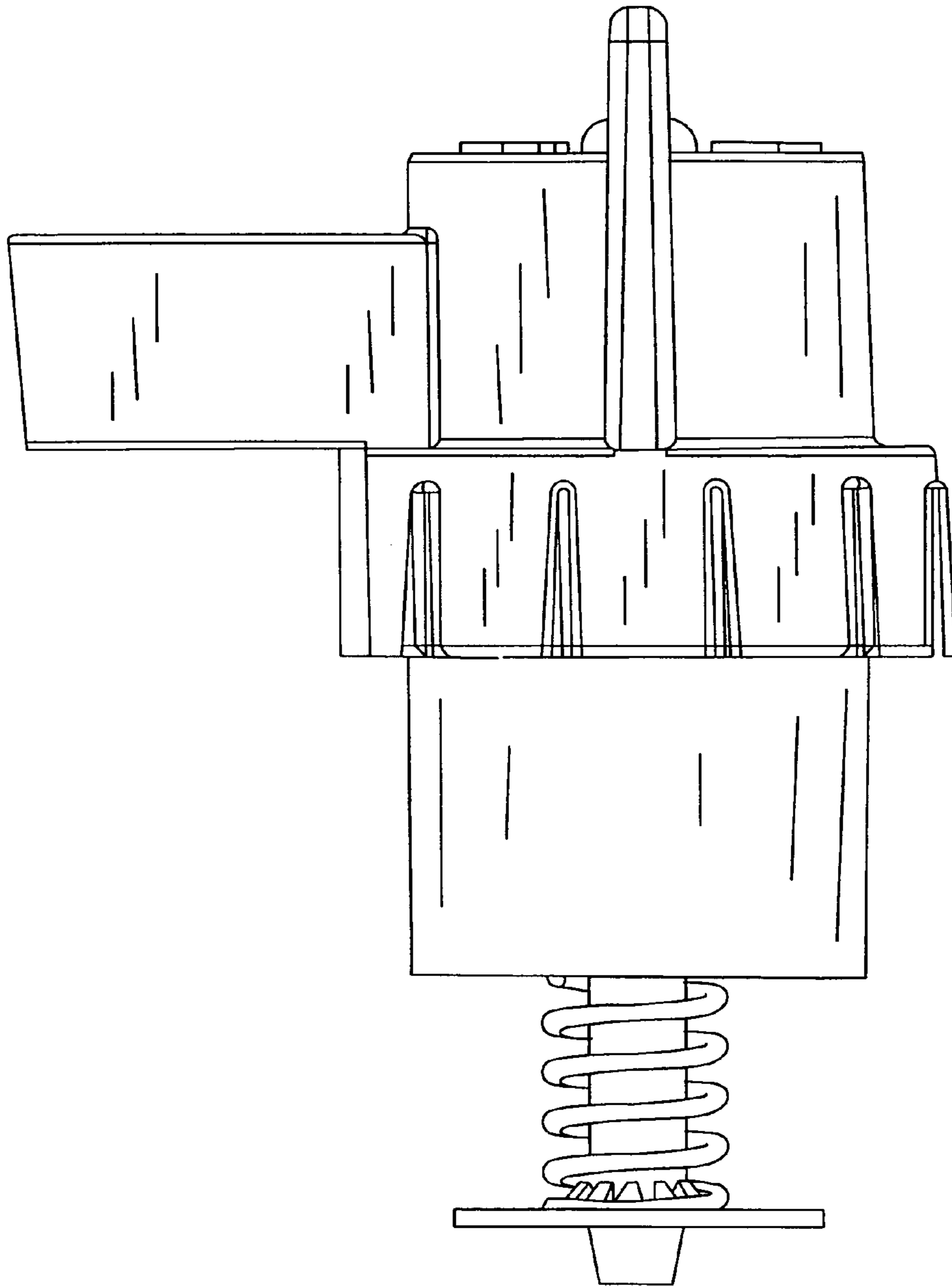


FIG. 9

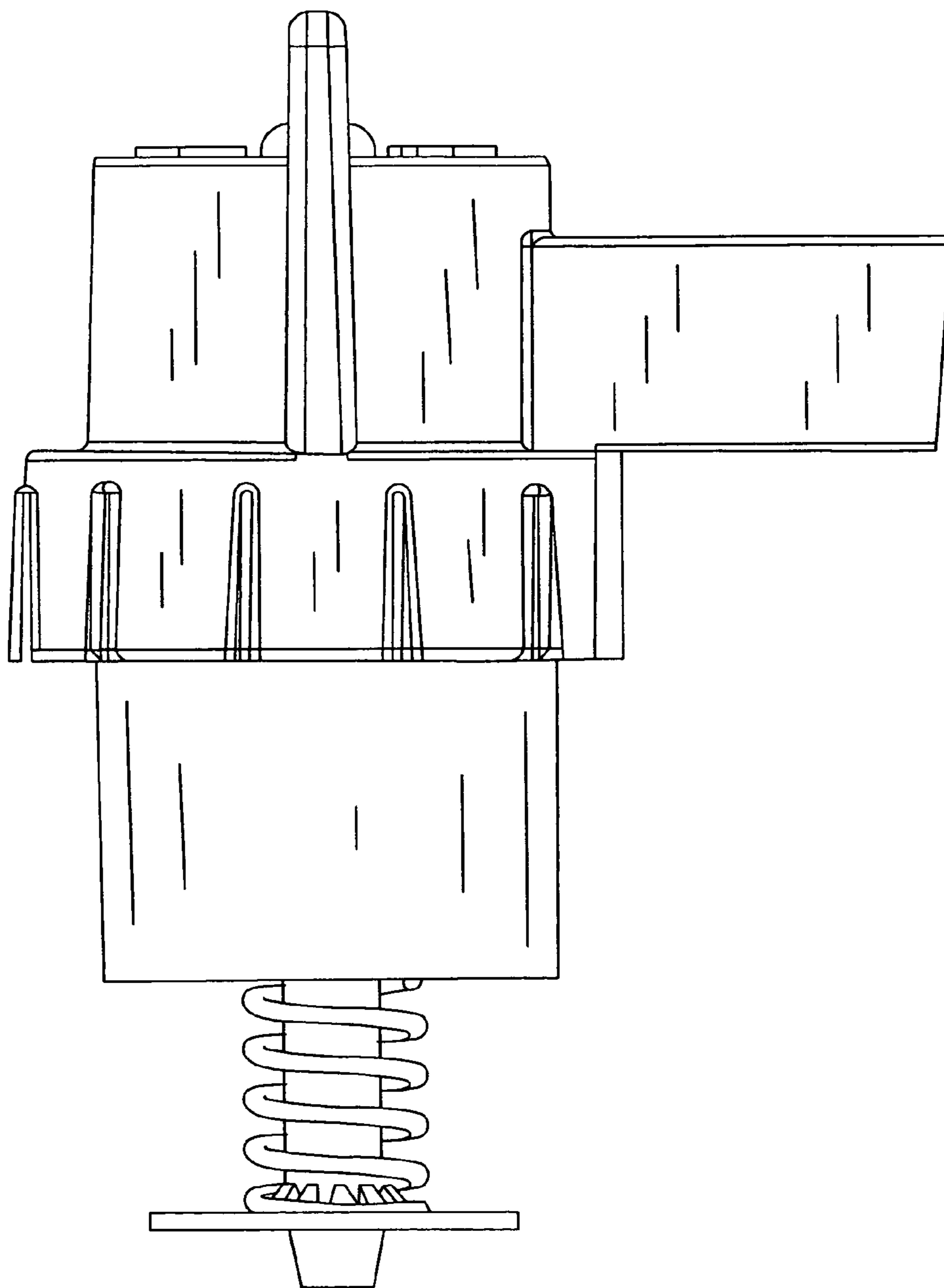


FIG. 10