



US00D620555S

(12) **United States Design Patent**
Chuang et al.

(10) **Patent No.:** **US D620,555 S**

(45) **Date of Patent:** **** Jul. 27, 2010**

(54) **HOUSING FOR A ROTARY VALVE**

6,712,087 B2 * 3/2004 Hill et al. 137/240
7,013,917 B2 * 3/2006 Joseph, III 137/624.13

(75) Inventors: **Shao-Lu Chuang**, Yangmei (TW);
Heinz Schneider, Lancaster, PA (US)

* cited by examiner

(73) Assignee: **Pelletron Corporation**, Lancaster, PA
(US)

Primary Examiner—Cathron C. Brooks

Assistant Examiner—Maurice Stevens

(74) *Attorney, Agent, or Firm*—Miller Law Group, PLLC

(**) Term: **14 Years**

(57) **CLAIM**

(21) Appl. No.: **29/334,799**

The ornamental design for a housing for a rotary valve, as shown and described.

(22) Filed: **Apr. 1, 2009**

(51) **LOC (9) Cl.** **23-01**

(52) **U.S. Cl.** **D23/233**

(58) **Field of Classification Search** D23/233–237;
251/283, 286, 288, 292, 293, 304, 305, 313,
251/314; 137/625.21–625.23

See application file for complete search history.

DESCRIPTION

FIG. 1 is a front elevational view of housing for a rotary valve, showing our present design;

FIG. 2 is a rear elevational view thereof;

FIG. 3 is a right end elevational view thereof;

FIG. 4 is a left end elevational view thereof;

FIG. 5 is a top plan view thereof.

FIG. 6 is a bottom plan view thereof; and,

FIG. 7 is a left, front perspective view thereof.

The broken line showing of unclaimed portions of the housing for a rotary valve forms no part of the claimed design.

(56) **References Cited**

U.S. PATENT DOCUMENTS

2,428,241	A *	9/1947	Pootjes	222/368
4,258,752	A *	3/1981	Liebert et al.	137/625.21
6,499,507	B1 *	12/2002	Hochrein et al.	137/625.22
6,676,190	B2 *	1/2004	Daniels et al.	296/106
6,694,749	B2 *	2/2004	Heron	62/6

1 Claim, 7 Drawing Sheets

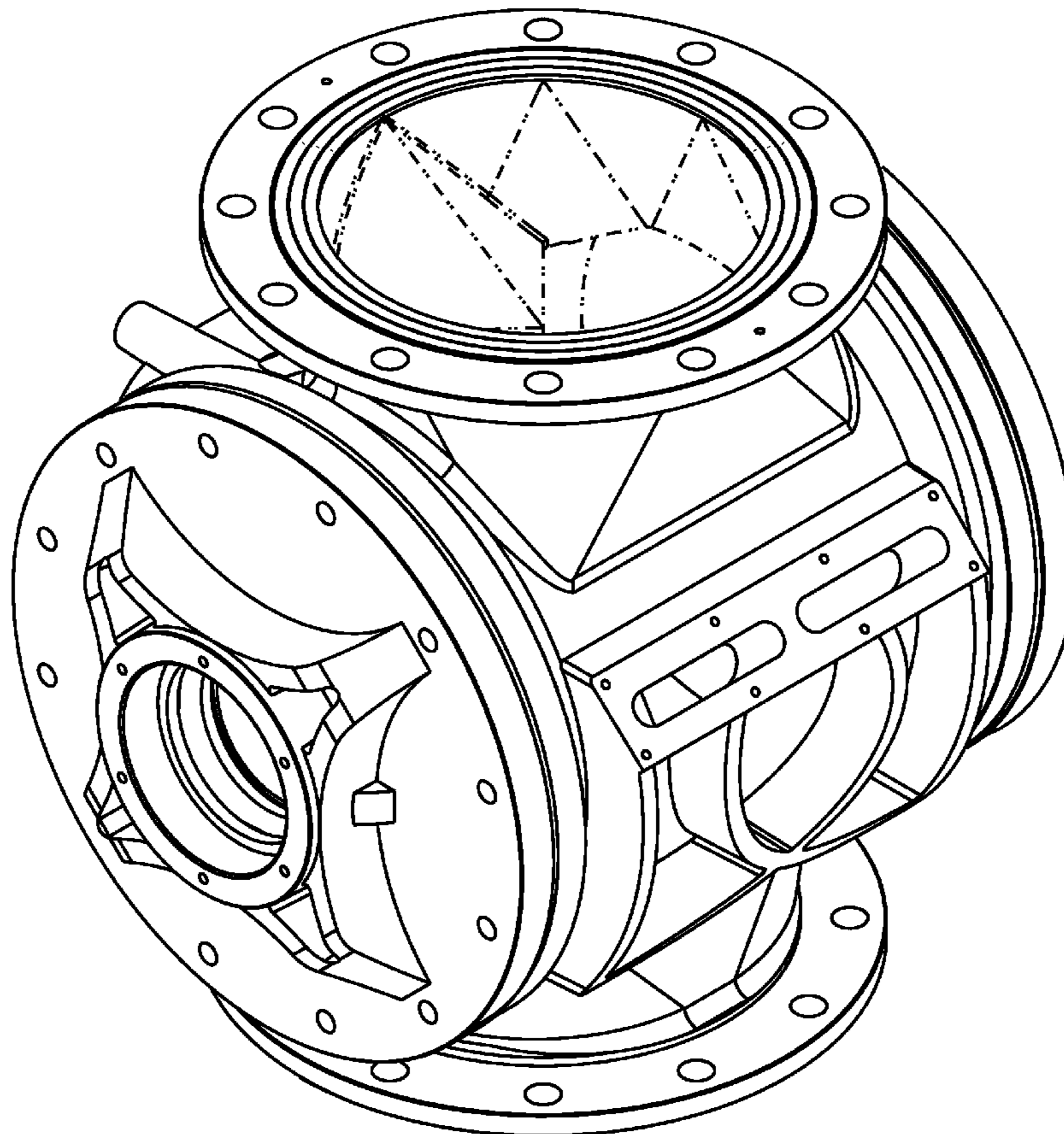


Fig. 1

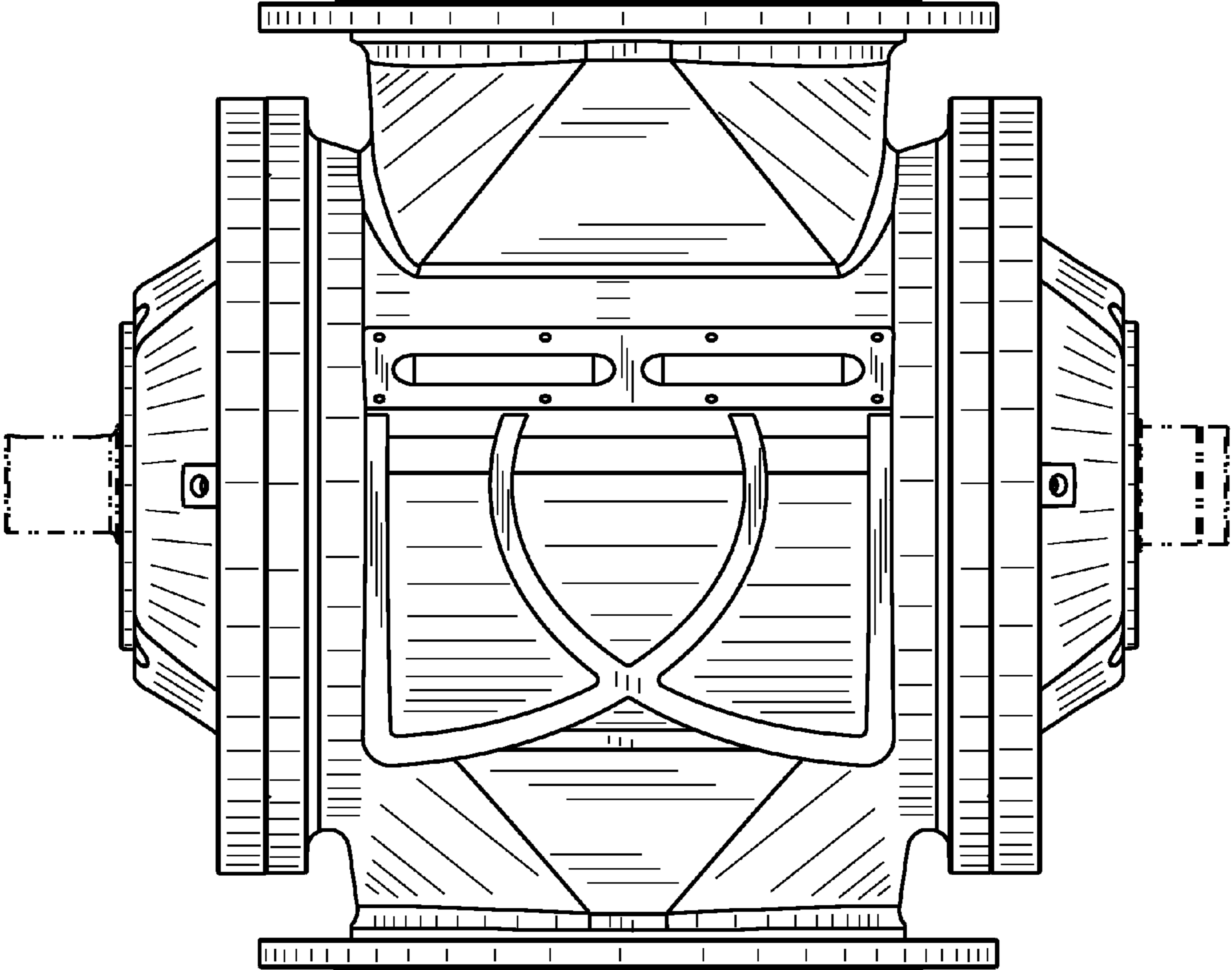


Fig. 2

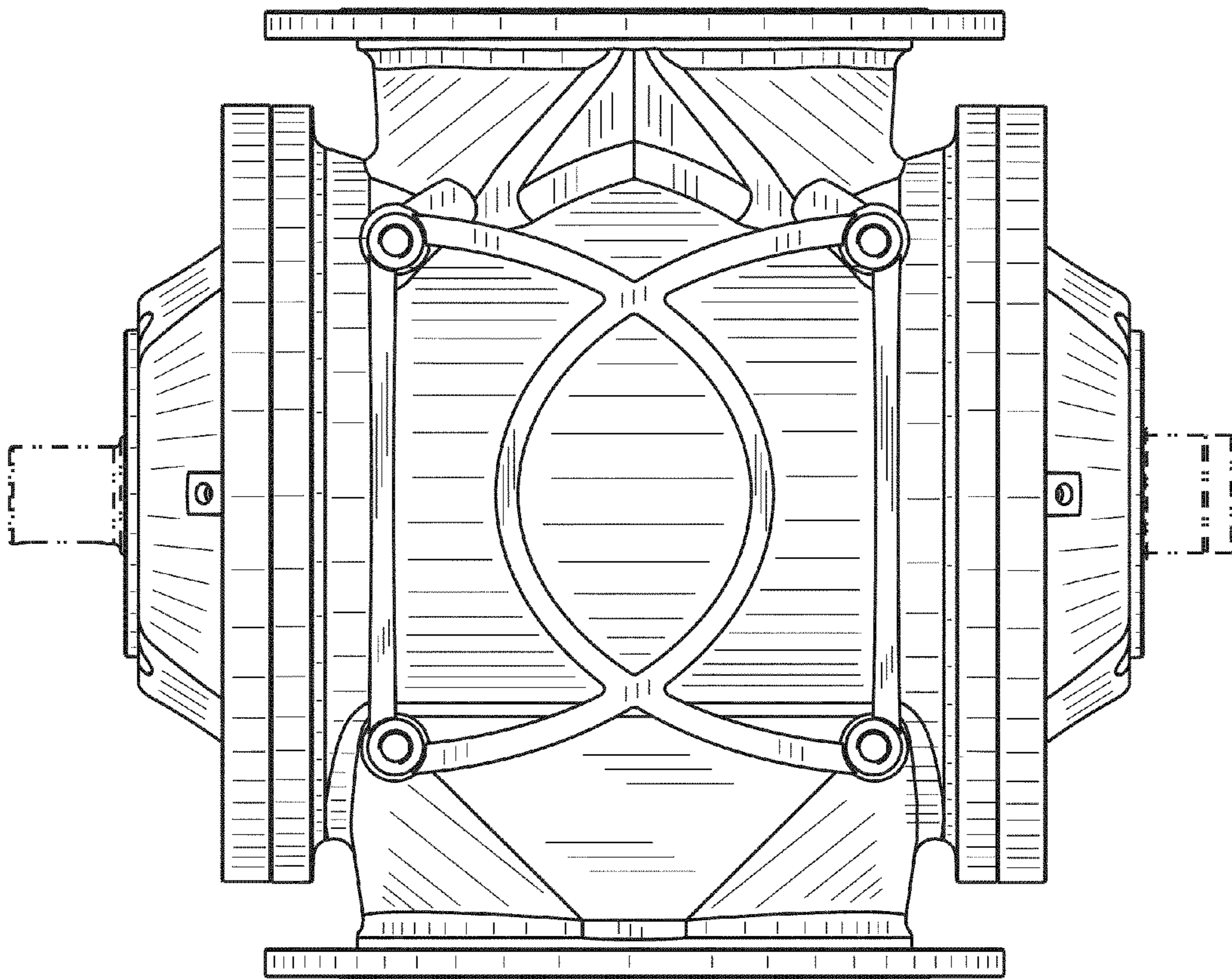


Fig. 3

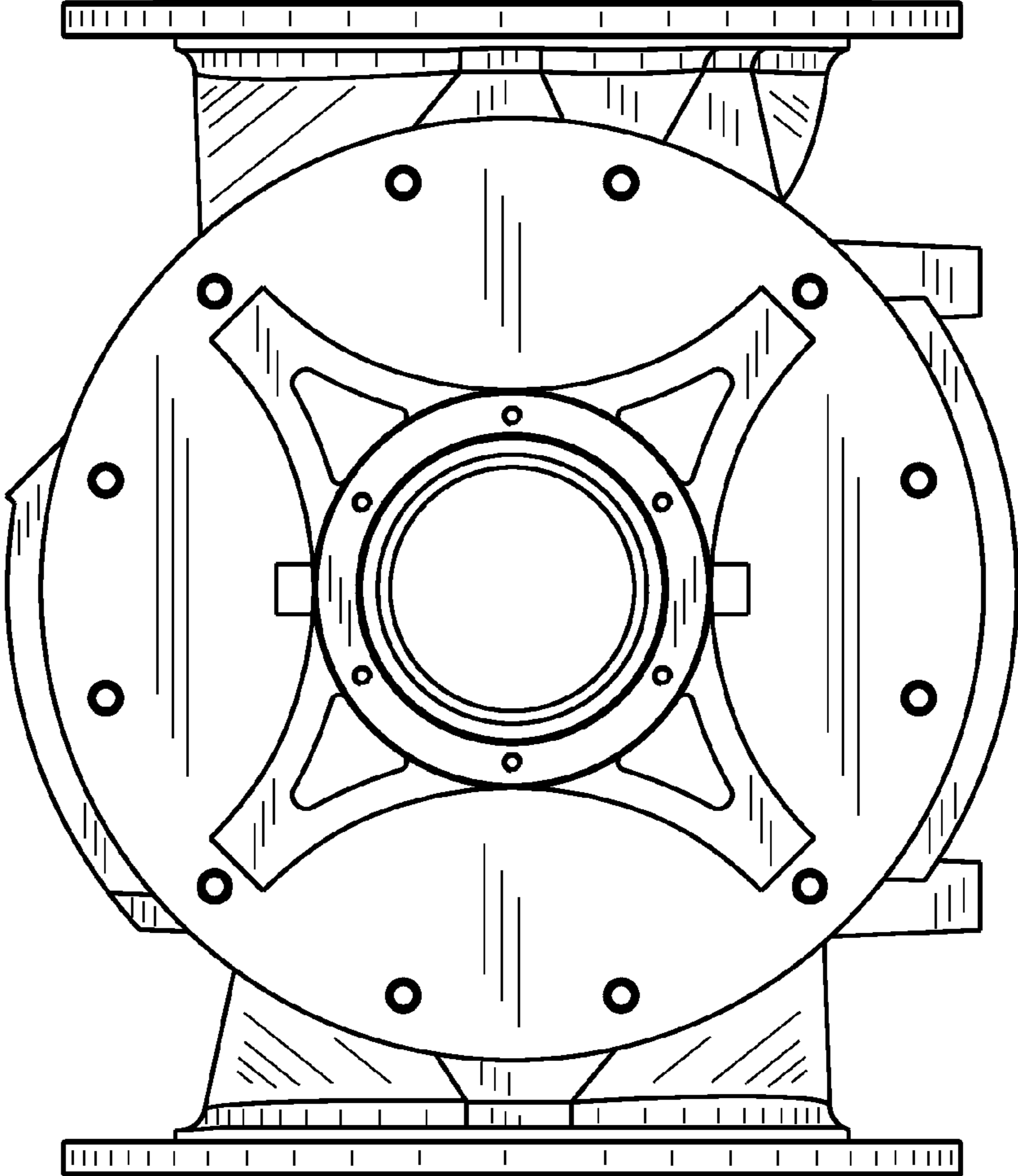


Fig. 4

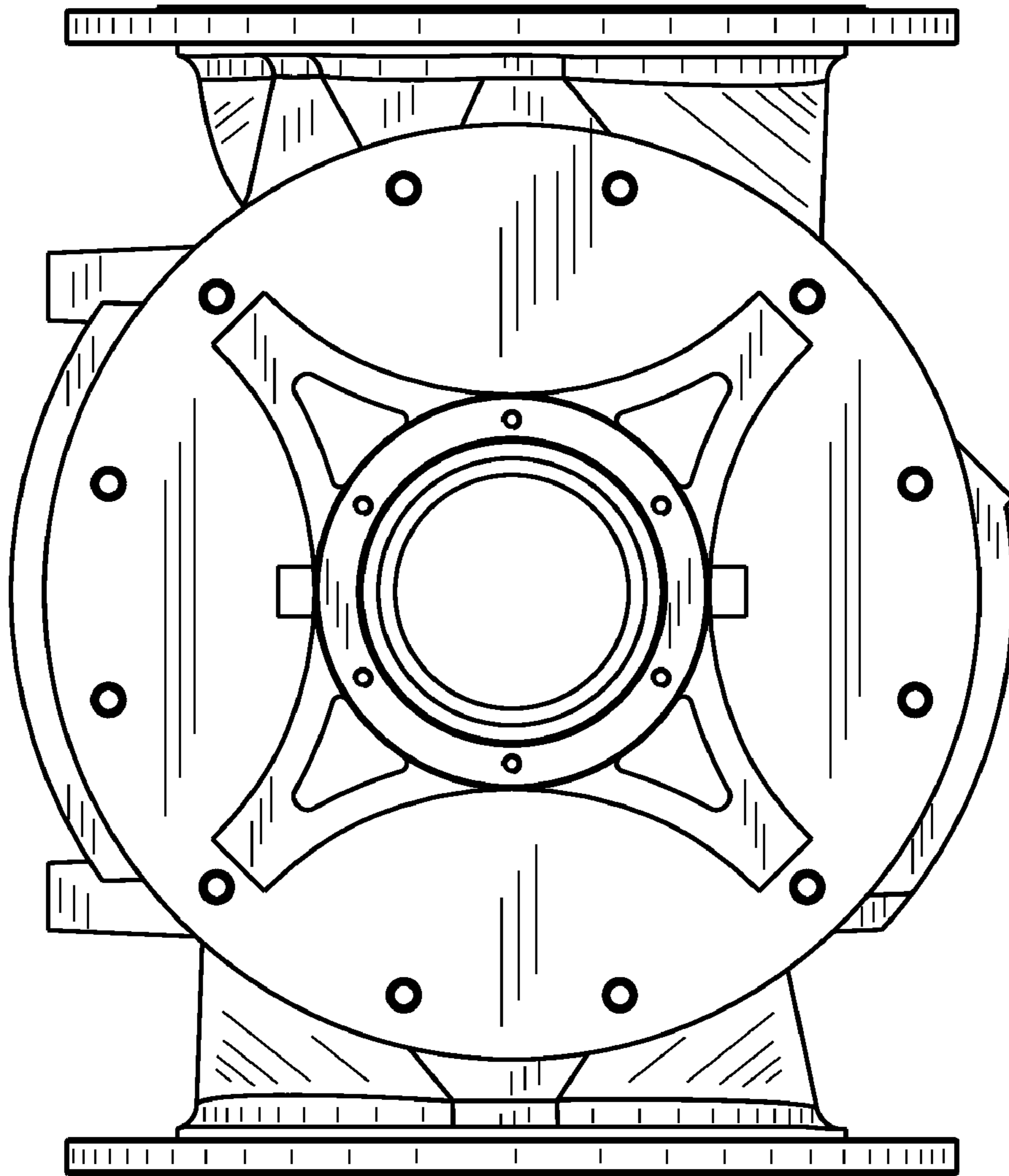


Fig. 5

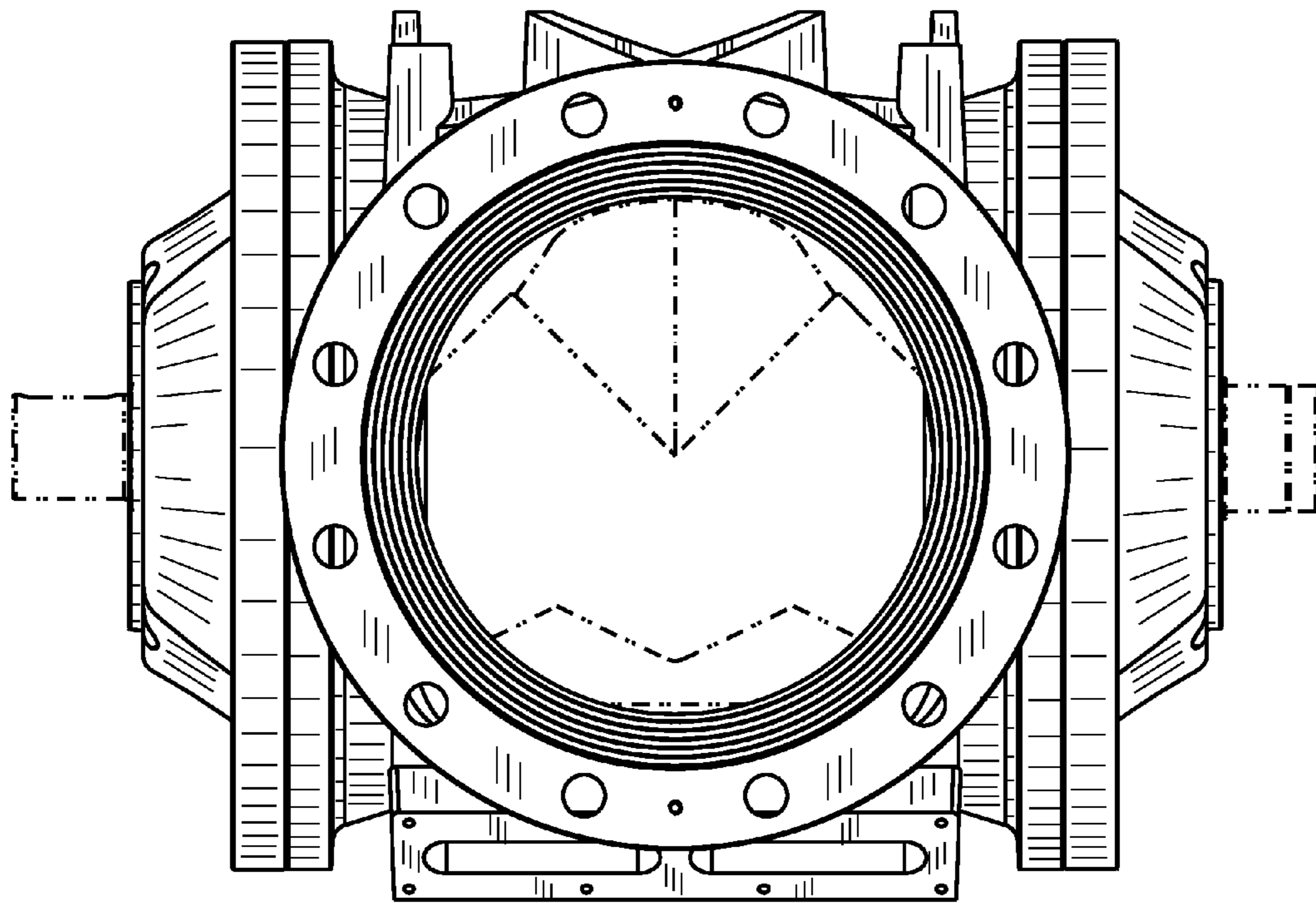


Fig. 6

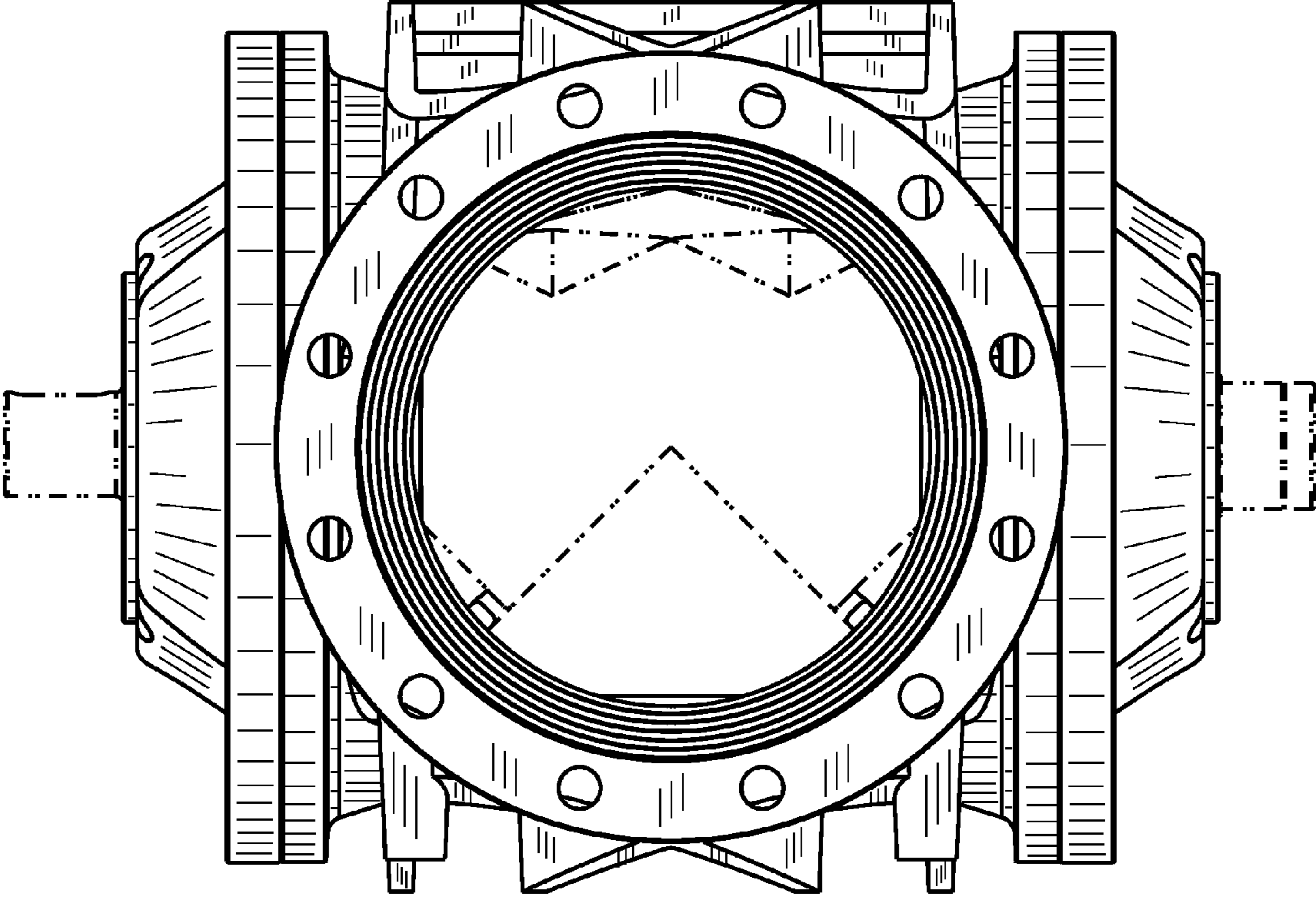
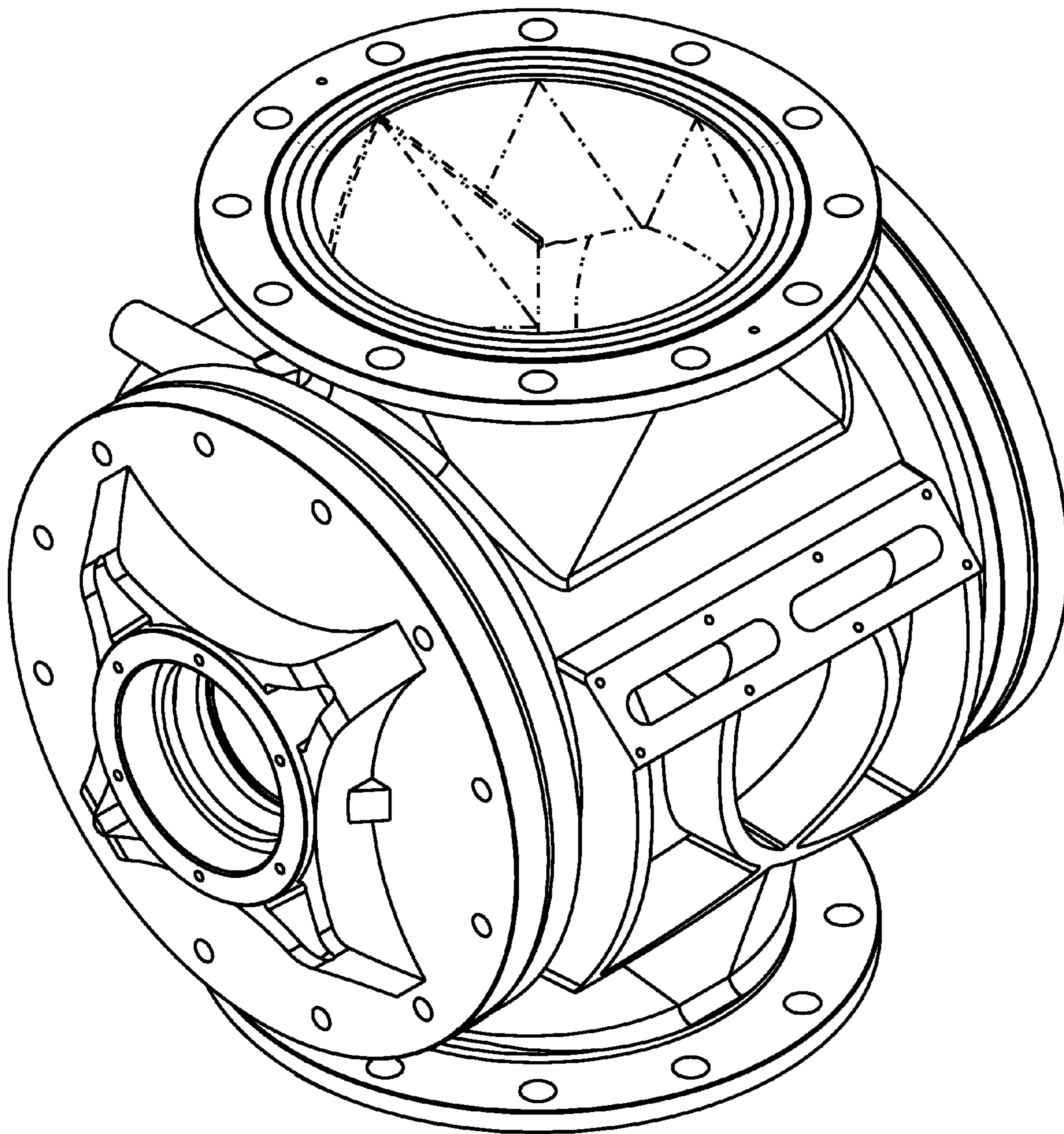


Fig. 7



UNITED STATES PATENT AND TRADEMARK OFFICE
CERTIFICATE OF CORRECTION

PATENT NO. : D620,555 S
APPLICATION NO. : 29/334799
DATED : July 27, 2010
INVENTOR(S) : Shao-Lu Chuang et al.

Page 1 of 1

It is certified that error appears in the above-identified patent and that said Letters Patent is hereby corrected as shown below:

On the Title Page:

Item (73) the names of the Assignees should be:

Taiwan Control Valve Corporation, Taiwan, and
Pelletron Corporation, Lancaster, PA.

Signed and Sealed this
Tenth Day of September, 2013



Teresa Stanek Rea
Acting Director of the United States Patent and Trademark Office