



US00D620553S

(12) **United States Design Patent**
Li et al.

(10) **Patent No.:** **US D620,553 S**
(45) **Date of Patent:** **** Jul. 27, 2010**

(54) **SERVICE VALVE**

(75) Inventors: **Jianjun Li**, Diankou Industrial Zone of Zhejiang Zhuji (CN); **Yukuan Shan**, Diankou Industrial Zone of Zhejiang Zhuji (CN)

(73) Assignee: **Zhejiang Dunan Artificial Environmental Equipment Co., Ltd.**, Zhuji (CN)

(**) Term: **14 Years**

(21) Appl. No.: **29/301,696**

(22) Filed: **Mar. 13, 2008**

(51) **LOC (9) Cl.** **23-01**

(52) **U.S. Cl.** **D23/233**

(58) **Field of Classification Search** D23/254,
D23/249, 213, 258, 236, 233; D10/106;
700/85, 83; 345/156; 138/46; 340/407.2;
D13/168, 164; 137/299, 300, 138, 218, 594,
137/318; 73/861.27

See application file for complete search history.

(56) **References Cited**

U.S. PATENT DOCUMENTS

3,509,905 A * 5/1970 Mullins 137/318
3,732,886 A * 5/1973 Mullins 137/318

D239,283 S * 3/1976 Villari D23/248
D242,797 S * 12/1976 Johnson D23/237
D395,485 S * 6/1998 Deaso, Sr. D23/245
D430,922 S * 9/2000 Hung-Lin D23/245
D478,965 S * 8/2003 Ferrer Beltran D23/233
D522,618 S * 6/2006 Matsushita D23/245
D533,096 S * 12/2006 Phillips D10/85
7,191,666 B2 * 3/2007 Parris et al. 73/861.27
D542,888 S * 5/2007 Ye et al. D23/233
2004/0182455 A1 * 9/2004 Wells et al. 137/594

* cited by examiner

Primary Examiner—Cathron C Brooks

Assistant Examiner—Austin Murphy

(74) *Attorney, Agent, or Firm*—Nixon Peabody LLP

(57) **CLAIM**

The ornamental design for a service valve, as shown and described.

DESCRIPTION

FIG. 1 is a front view of a service valve.

FIG. 2 is a back view of the service valve.

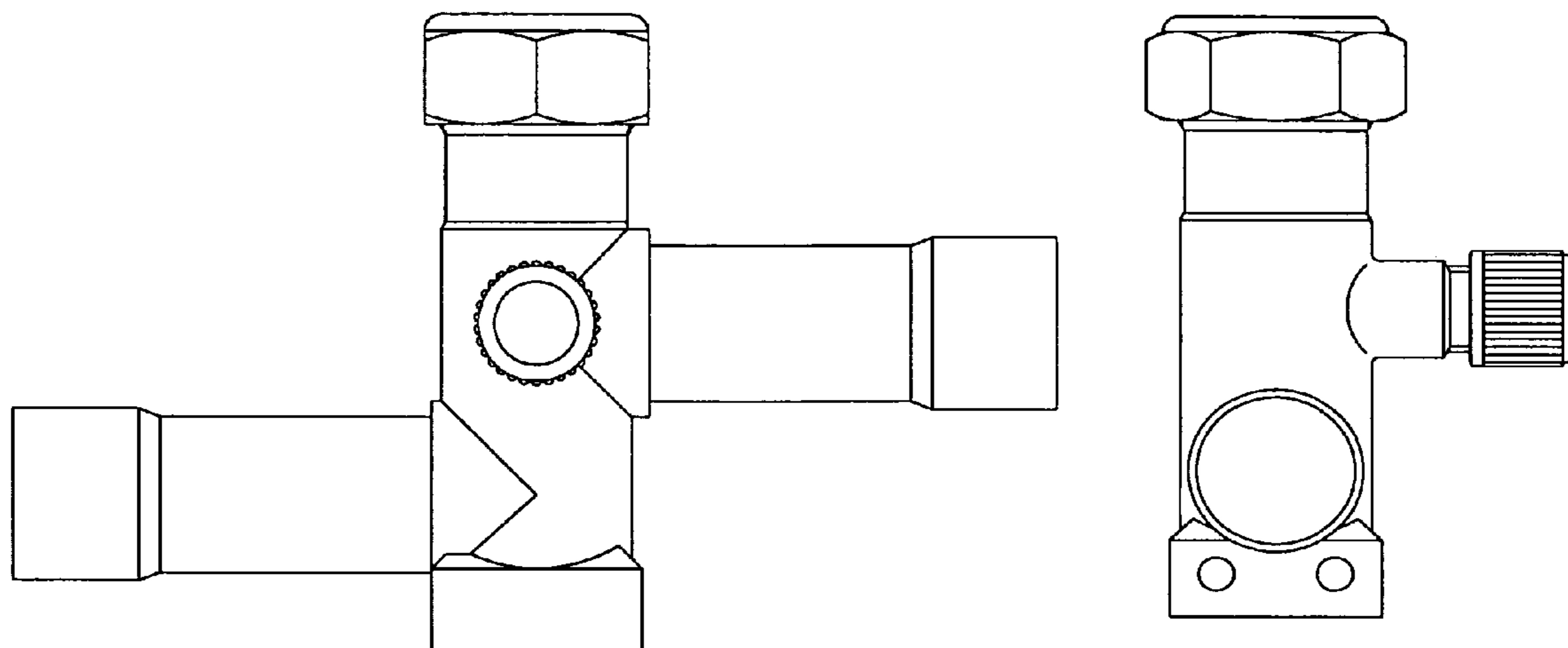
FIG. 3 is a left view of the service valve.

FIG. 4 is a right view of the service valve.

FIG. 5 is a top view of the service valve; and,

FIG. 6 is a bottom view of the service valve.

1 Claim, 3 Drawing Sheets



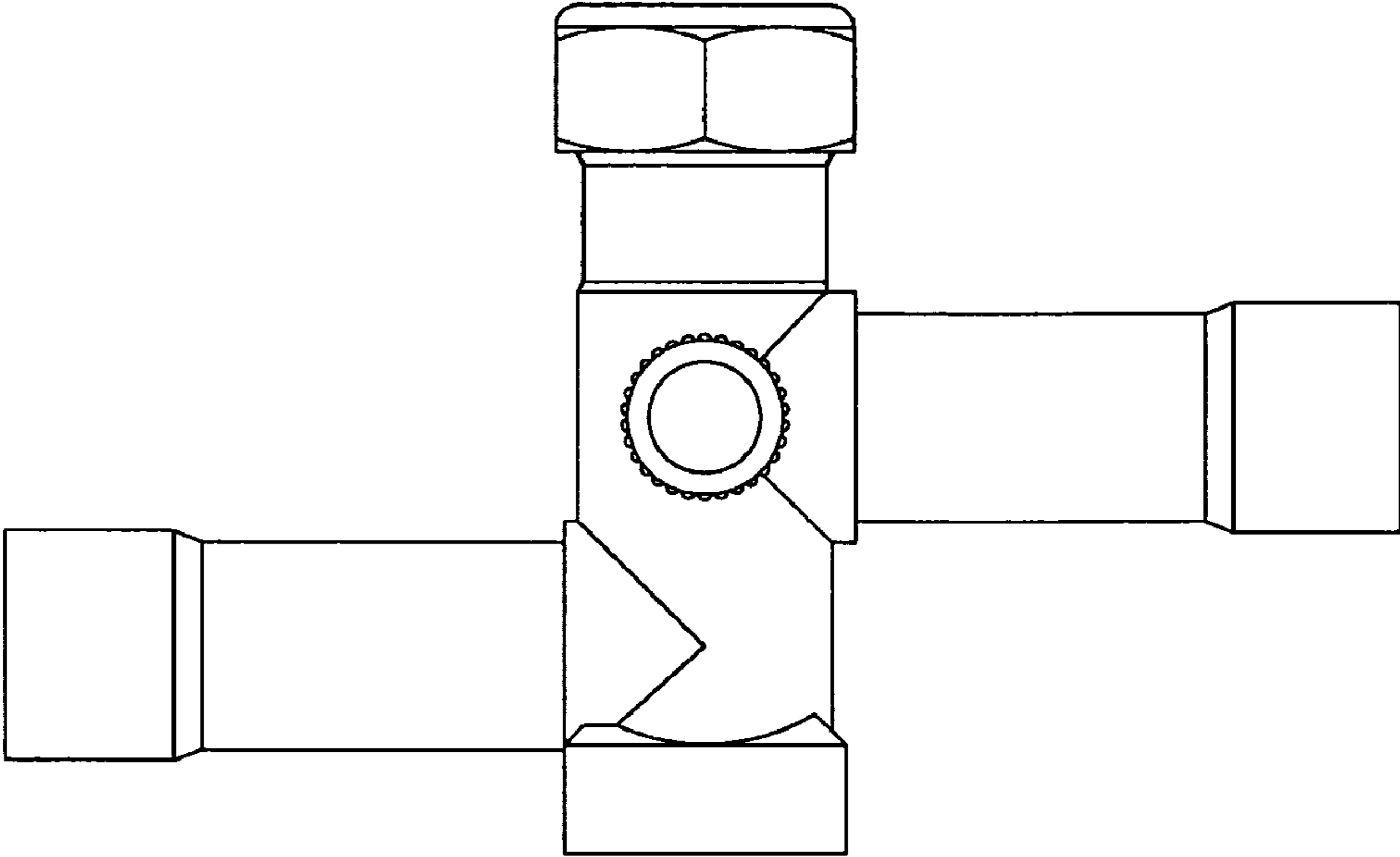


Fig. 1

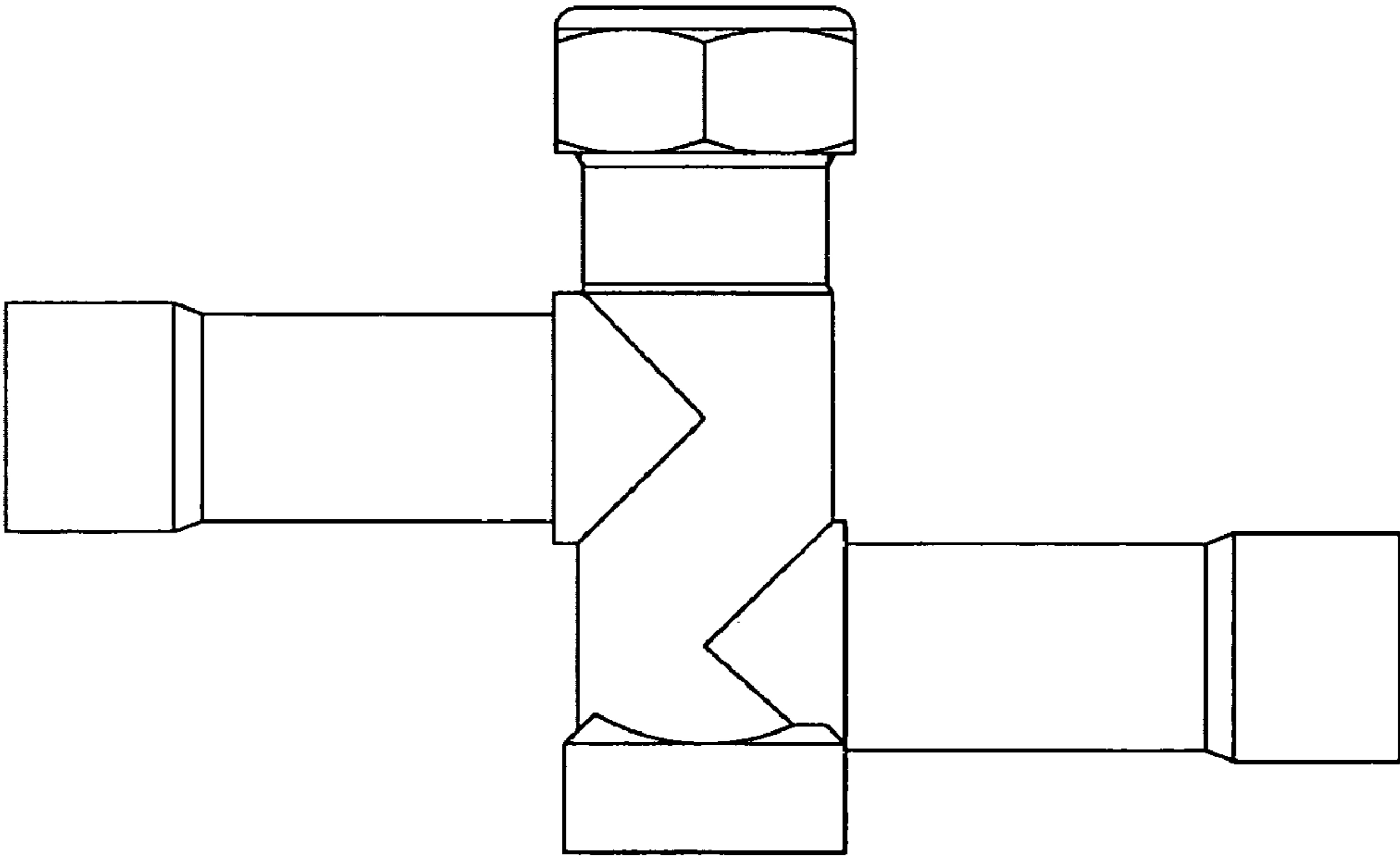


Fig. 2

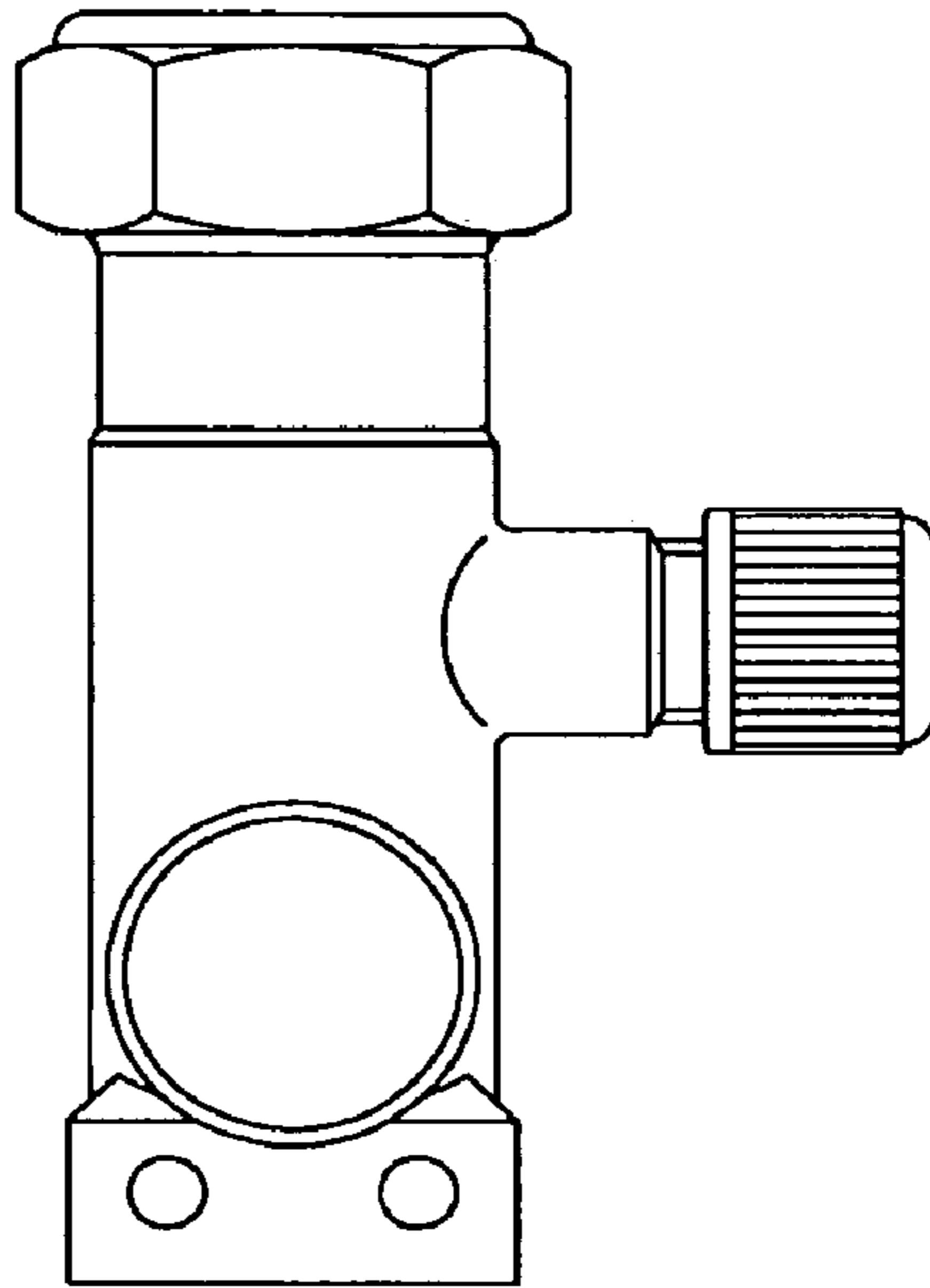


Fig. 3

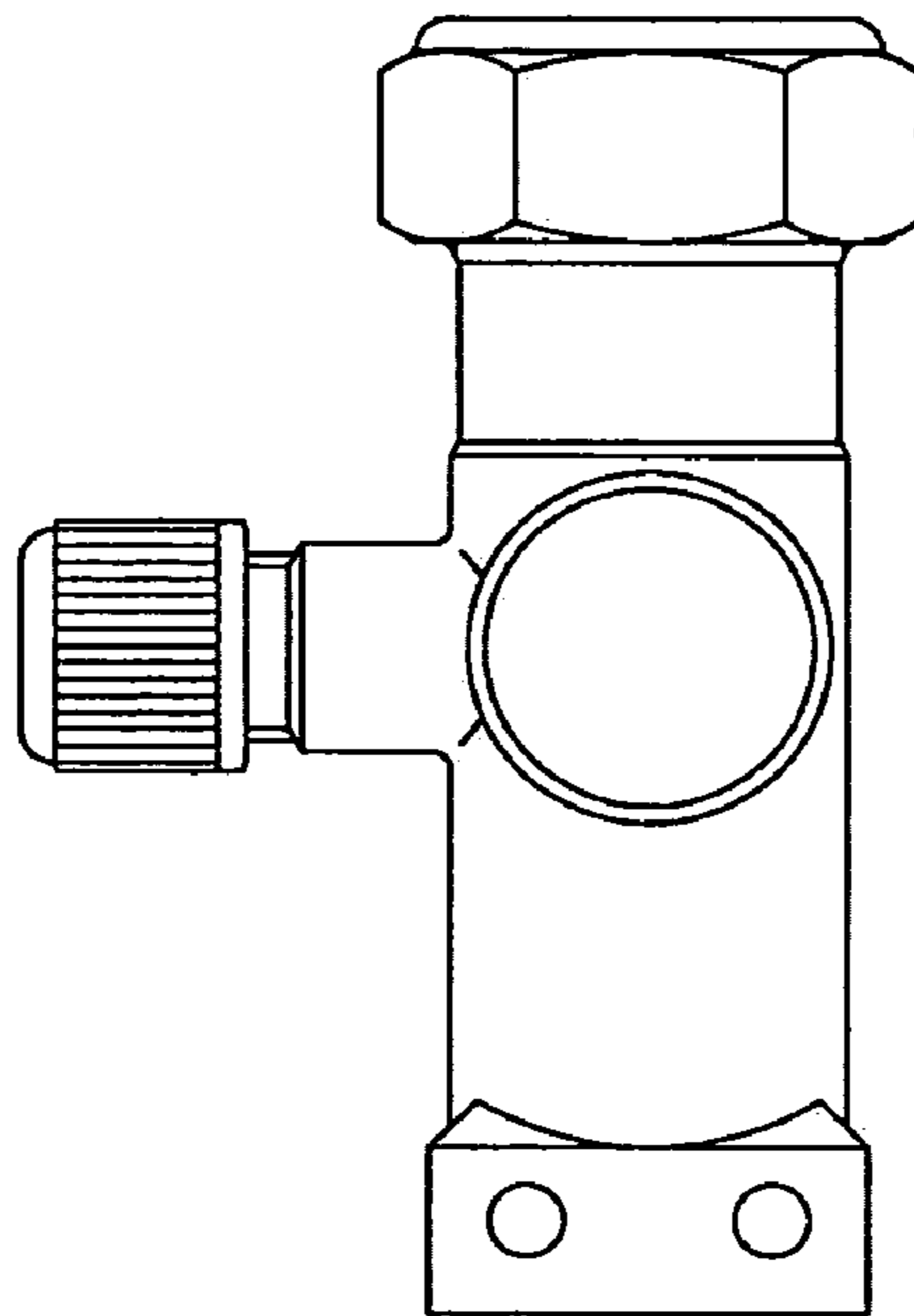


Fig. 4

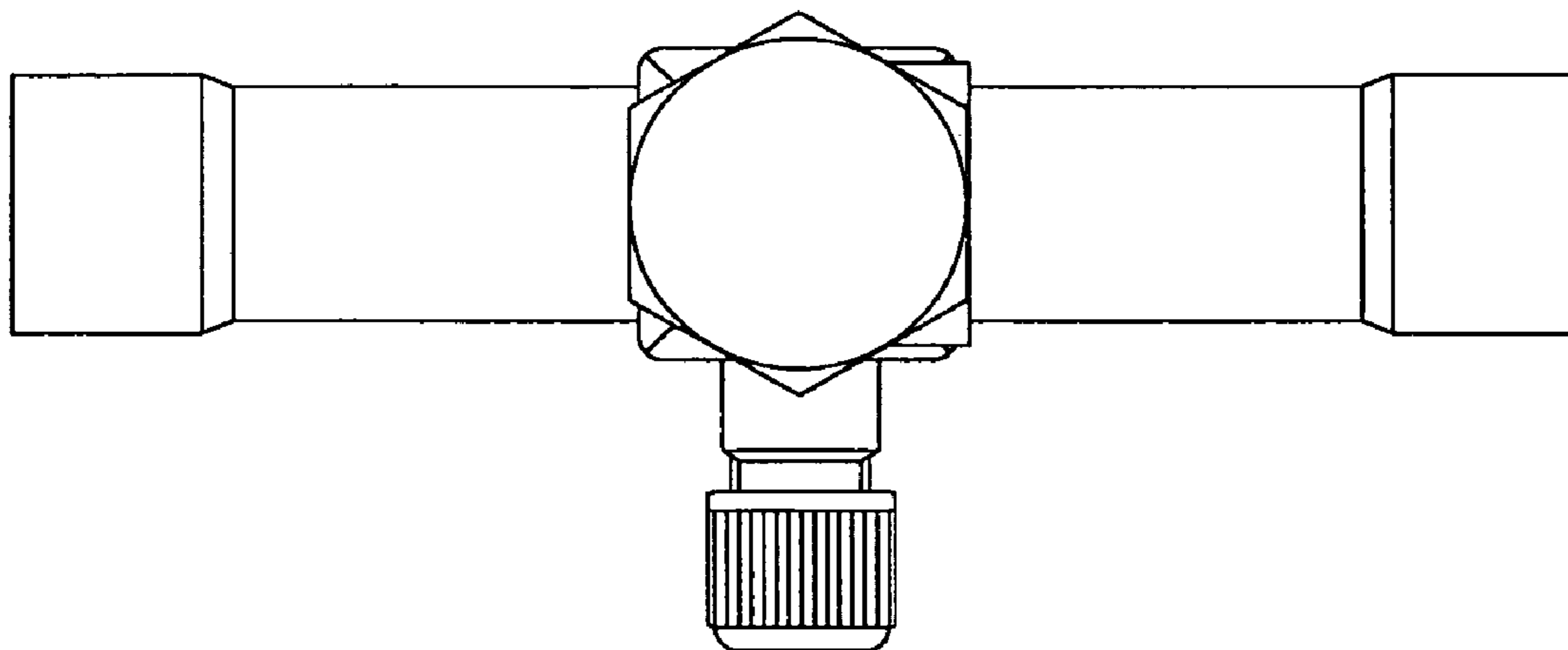


Fig. 5

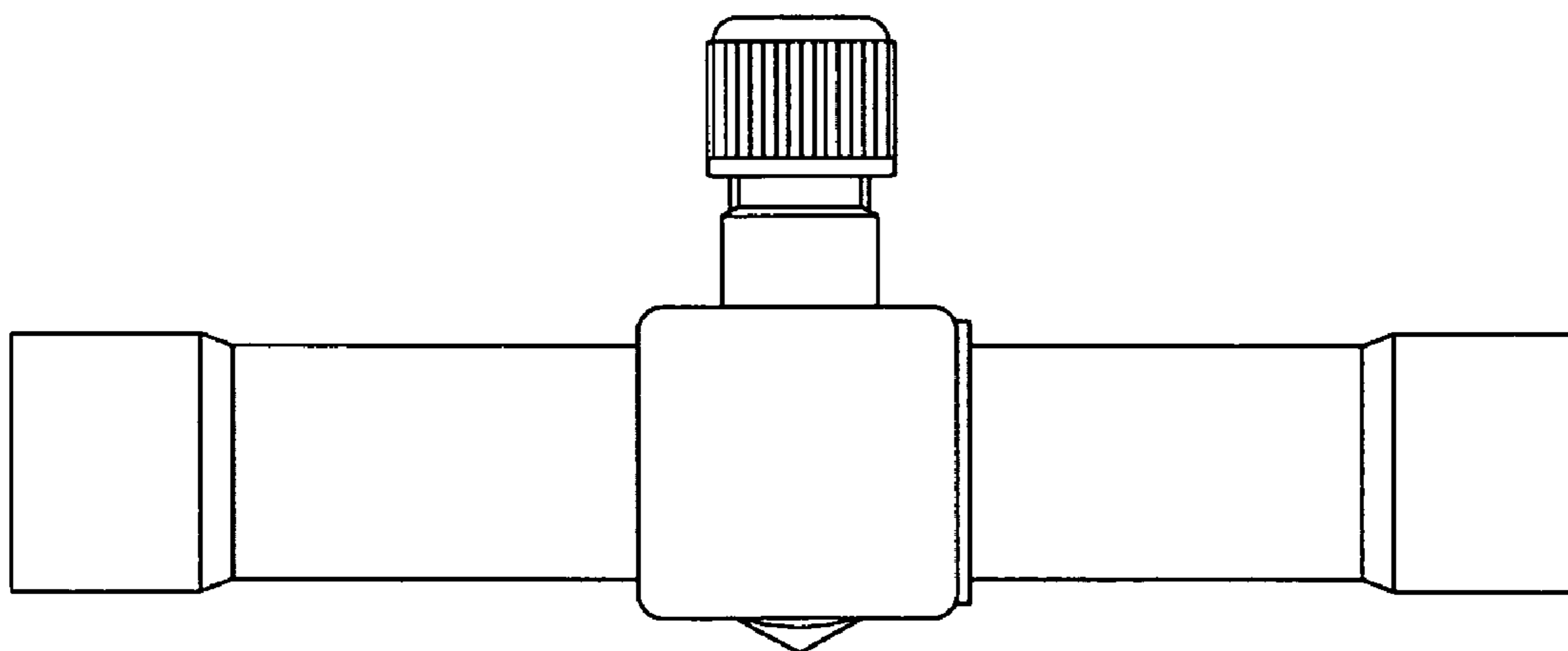


Fig. 6