



US00D620547S

(12) **United States Design Patent**
Bietsch

(10) **Patent No.:** **US D620,547 S**

(45) **Date of Patent:** **** Jul. 27, 2010**

(54) **GUN SIGHT ADJUSTMENT DEVICE**

2003/0106197 A1* 6/2003 Emanuel 29/257

(76) Inventor: **Michael B. Bietsch**, 1162 Hodges, Rio Rico, AZ (US) 85648

* cited by examiner

(**) Term: **14 Years**

Primary Examiner—T. Chase Nelson
Assistant Examiner—Michael A Pratt
(74) *Attorney, Agent, or Firm*—Dale F. Regelman; Quarles & Brady LLP

(21) Appl. No.: **29/336,731**

(22) Filed: **May 7, 2009**

(57) **CLAIM**

(51) **LOC (9) Cl.** **22-99**

The ornamental design for a gun sight adjustment device, as shown and described.

(52) **U.S. Cl.** **D22/199**

(58) **Field of Classification Search** D22/108,
D22/109, 110, 199; D8/16, 80, 83, 88, 89;
42/100; 33/233, 252, 613; 269/249, 251;
81/3.05; 29/257

DESCRIPTION

See application file for complete search history.

FIG. 1 is a perspective view of a gun sight adjustment device according to the present invention;

(56) **References Cited**

U.S. PATENT DOCUMENTS

2,599,839	A *	6/1952	Keifer, Jr.	42/139
3,835,594	A *	9/1974	Szulman	451/369
4,927,126	A *	5/1990	Hoffman	269/60
5,149,071	A *	9/1992	Oliveira	269/43
D335,805	S *	5/1993	Ransom	D8/51
5,864,957	A *	2/1999	Small	42/111
6,513,276	B2 *	2/2003	Mendoza-Orozco	42/137

FIG. 2 is a first side elevational view, the left being a mirror image thereof;

FIG. 3 is a second side elevational view thereof;

FIG. 4 is a front side view thereof;

FIG. 5 is a rear side view thereof;

FIG. 6 is a bottom view thereof; and,

FIG. 7 is a top view thereof.

1 Claim, 7 Drawing Sheets

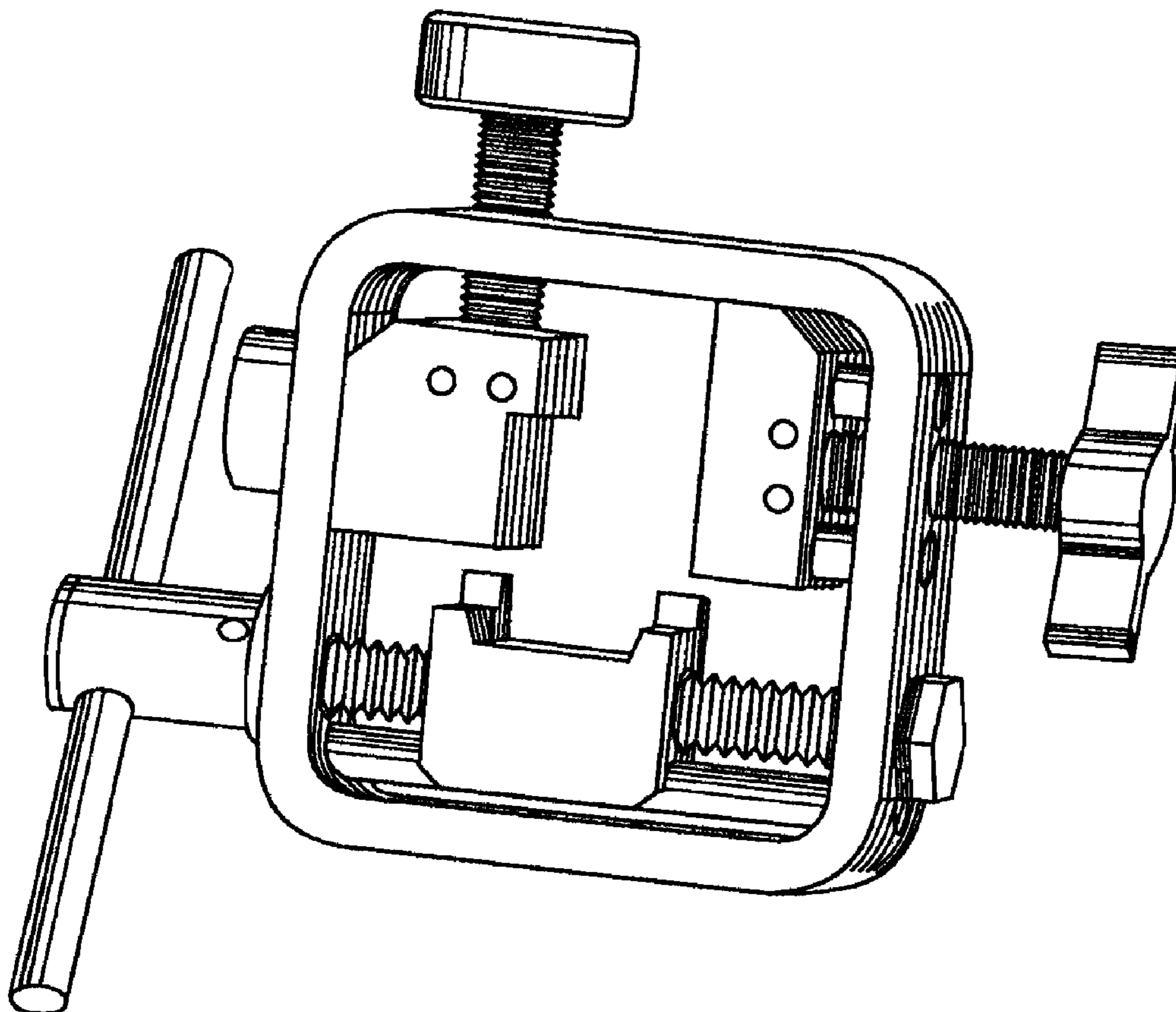


FIG. 1

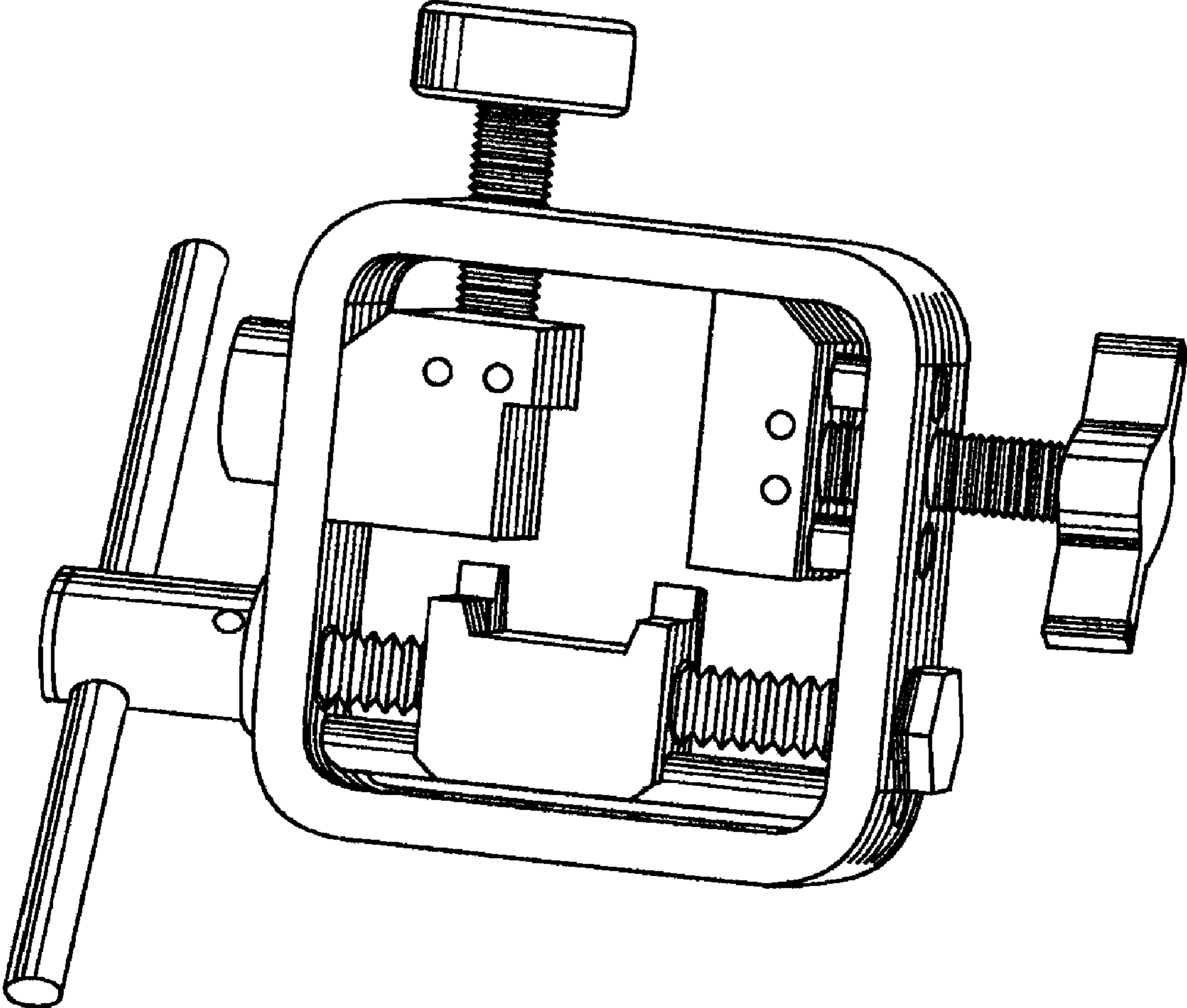


FIG. 2

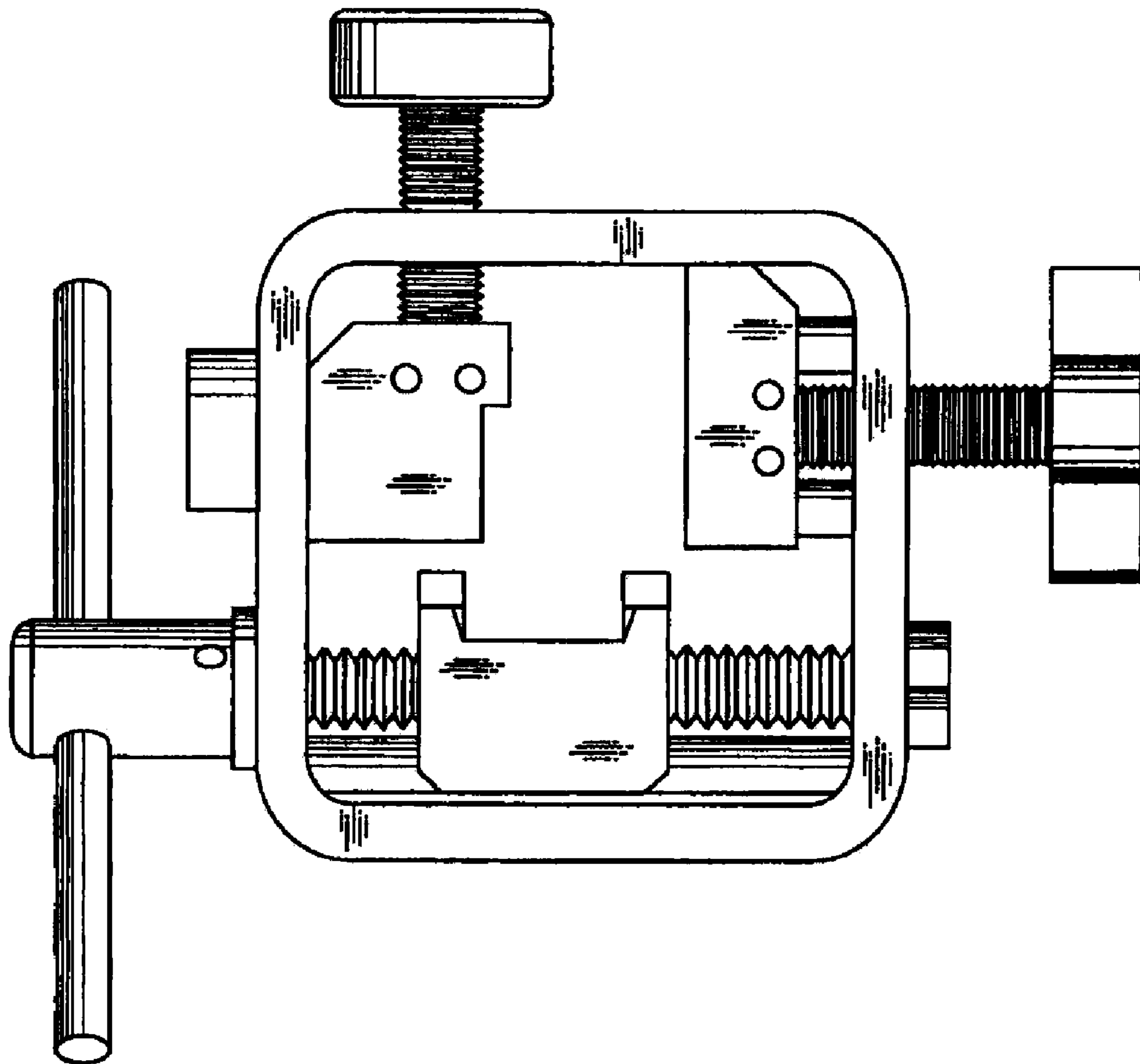


FIG. 3

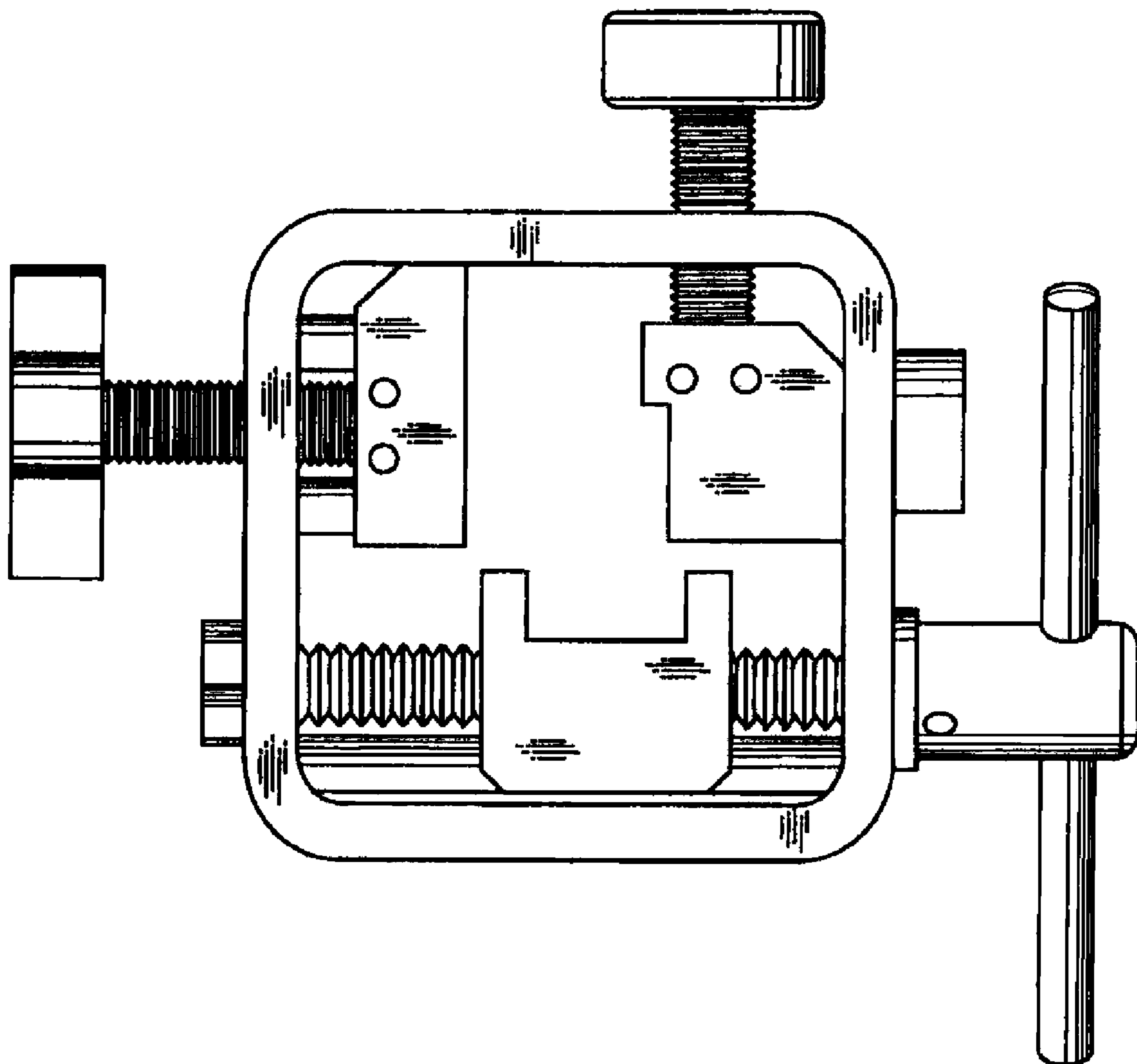


FIG. 4

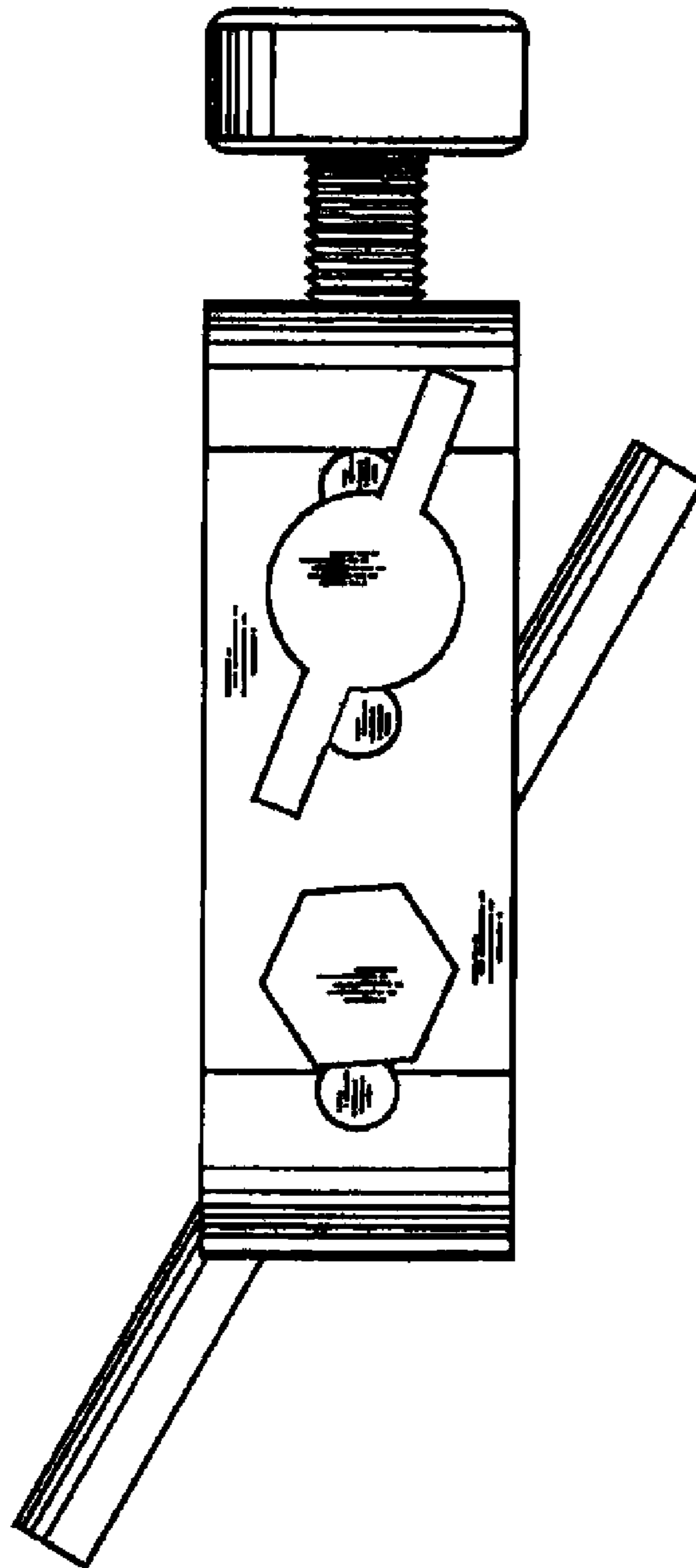


FIG. 5

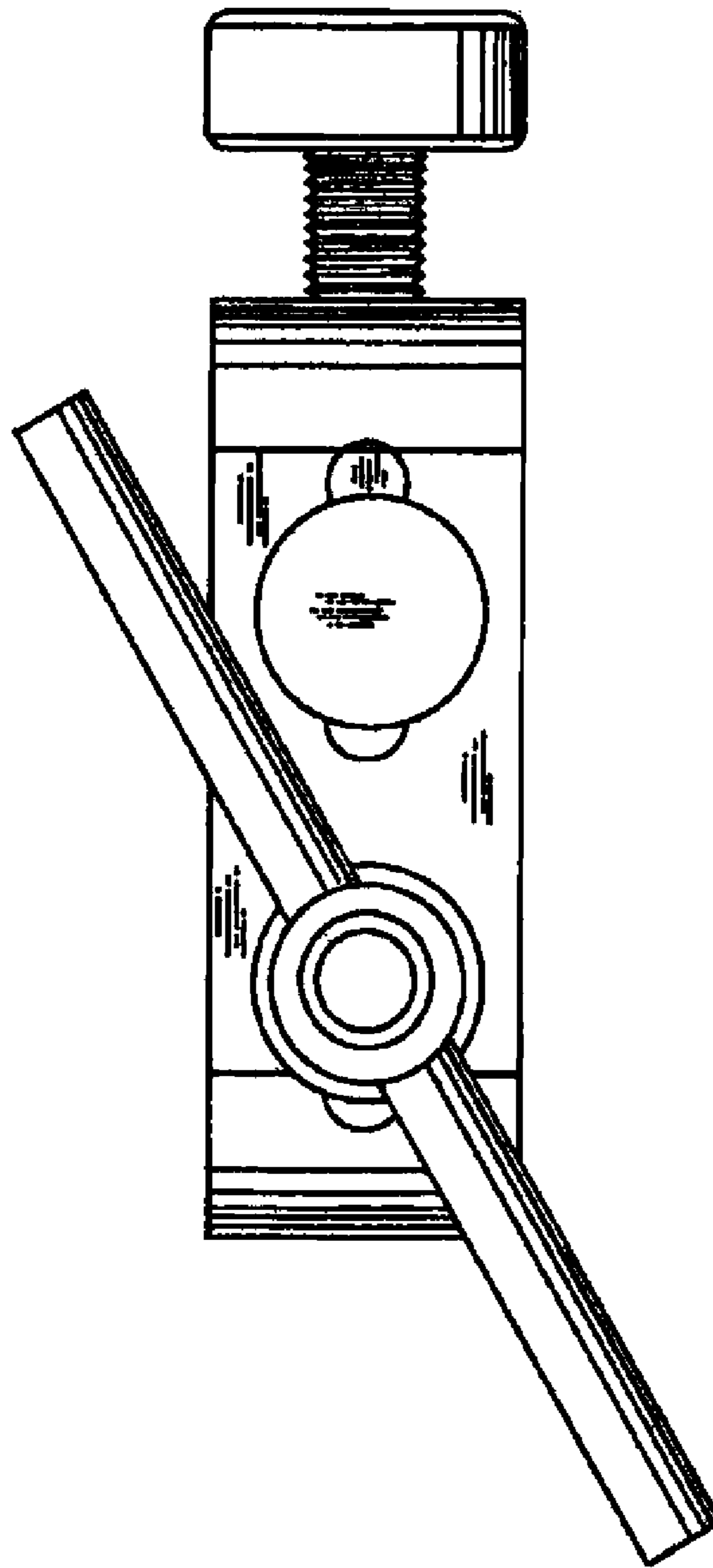


FIG. 6

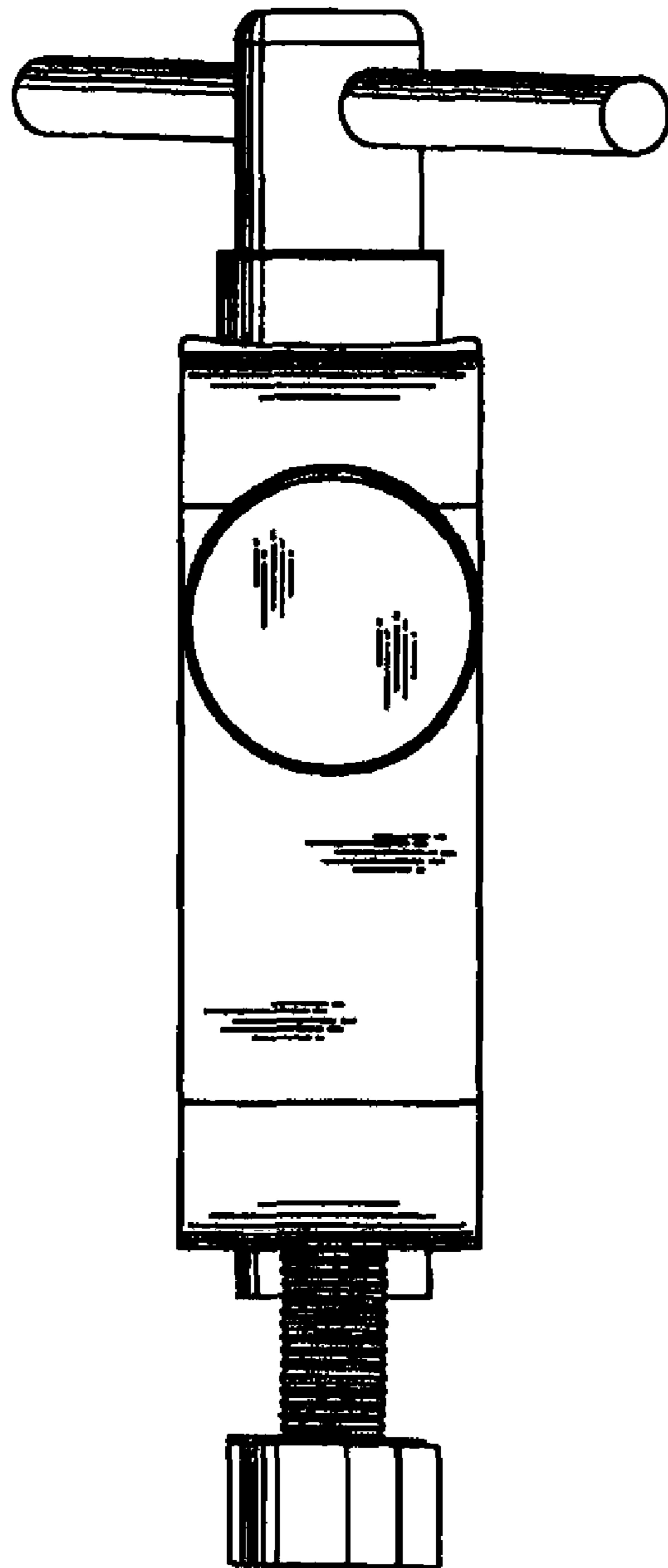


FIG. 7

