



US00D620546S

(12) **United States Design Patent**  
**Fitzpatrick et al.**

(10) **Patent No.:** **US D620,546 S**

(45) **Date of Patent:** **\*\* Jul. 27, 2010**

(54) **BUTT PAD FOR A RIFLE STOCK**

2004/0144011 A1\* 7/2004 Vignaroli et al. .... 42/74

(75) Inventors: **Richard M. Fitzpatrick**, Longmont, CO (US); **Michael T. Mayberry**, Denver, CO (US); **Eric C. Burt**, Broomfield, CO (US)

\* cited by examiner

*Primary Examiner*—T. Chase Nelson  
*Assistant Examiner*—Michael A Pratt  
(74) *Attorney, Agent, or Firm*—Geoffrey E. Dobbin

(73) Assignee: **Magpul Industries Corp.**, Erie, CO (US)

(57) **CLAIM**

(\*\*) Term: **14 Years**

The ornamental design for a butt pad for a rifle stock, as shown and described.

(21) Appl. No.: **29/330,998**

**DESCRIPTION**

(22) Filed: **Jan. 16, 2009**

FIG. 1 is a left/top/rear perspective view of the butt pad for a rifle stock.

**Related U.S. Application Data**

(63) Continuation-in-part of application No. 11/958,274, filed on Dec. 17, 2007.

FIG. 2 is a left plan view of the butt pad for a rifle stock.

(51) **LOC (9) Cl.** ..... **22-01**

(52) **U.S. Cl.** ..... **D22/111**

(58) **Field of Classification Search** ..... D22/100,  
D22/107, 108–111; 42/11, 51, 72, 85, 90,  
42/106, 113, 116, 119, 128, 145, 71.01, 71.02,  
42/73, 75.01, 75.02; 248/124, 125, 201,  
248/205.1

FIG. 3 is a right plan view of the butt pad for a rifle stock.

FIG. 4 is a front plan view of the butt pad for a rifle stock.

FIG. 5 is a rear plan view of the butt pad for a rifle stock.

FIG. 6 is a top plan view of the butt pad for a rifle stock.

FIG. 7 is a bottom plan view of the butt pad for a rifle stock.

FIG. 8 is a right/top/front perspective view of the butt pad for a rifle stock.

See application file for complete search history.

FIG. 9 is a left/bottom/front perspective view of the butt pad for a rifle stock.

(56) **References Cited**

**U.S. PATENT DOCUMENTS**

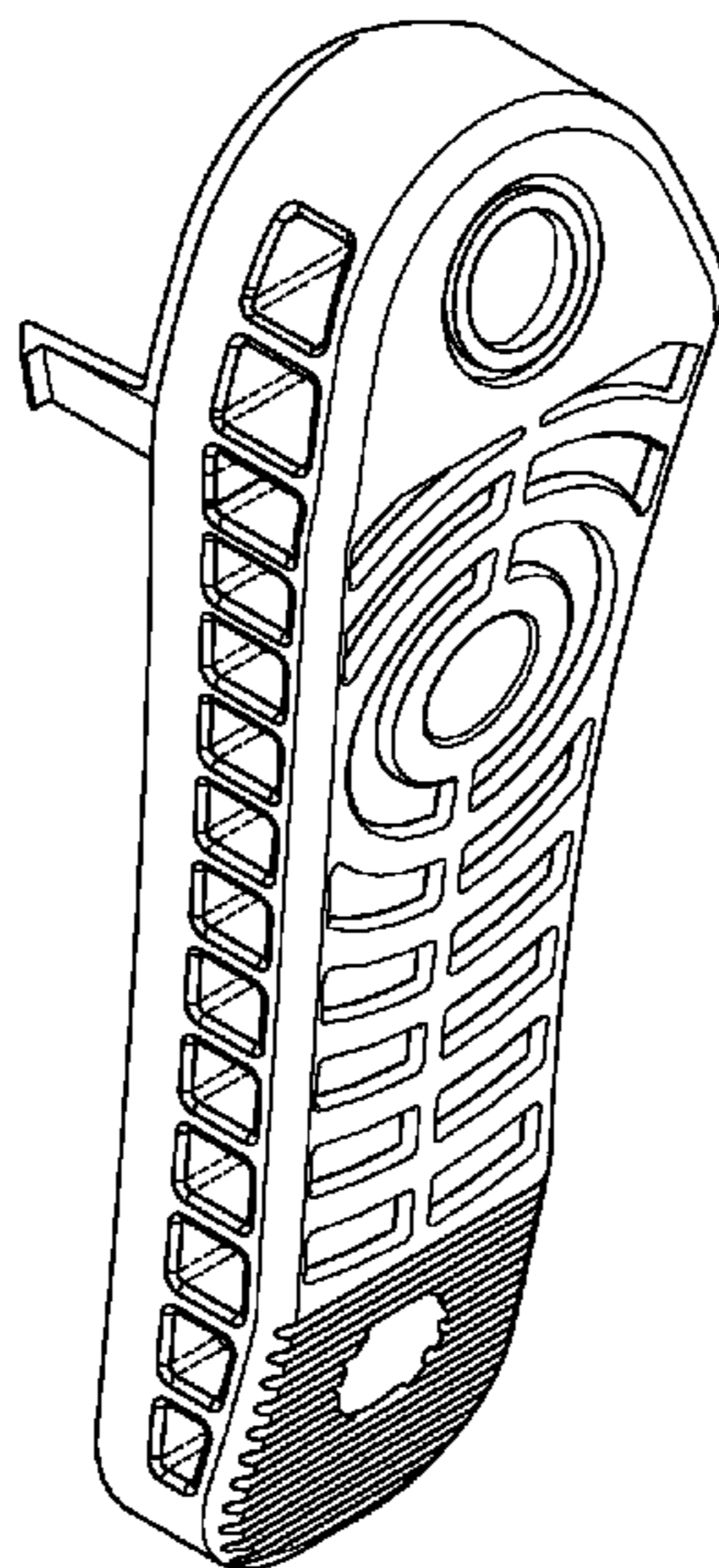
- D162,216 S \* 2/1951 Pachmayr ..... D22/111
- D204,549 S \* 4/1966 Pachmayr ..... D22/111
- D219,144 S \* 11/1970 Hoffmeister ..... D22/111
- D274,541 S \* 7/1984 McCone ..... D22/111
- D275,510 S \* 9/1984 McCone ..... D22/111
- 4,551,937 A \* 11/1985 Seehase ..... 42/74
- 5,235,765 A \* 8/1993 Chesnut ..... 42/74
- D376,188 S \* 12/1996 Riecken ..... D22/111

FIG. 10 is a right/bottom/front perspective view of the butt pad for a rifle stock; and,

FIG. 11 is a left/top/front perspective view of the butt pad for a rifle stock.

The broken lines showing of the depth of the recesses on the sides of the butt pad for a rifle stock are included for the purpose of illustrating environment and forms no part of the claimed design.

**1 Claim, 4 Drawing Sheets**



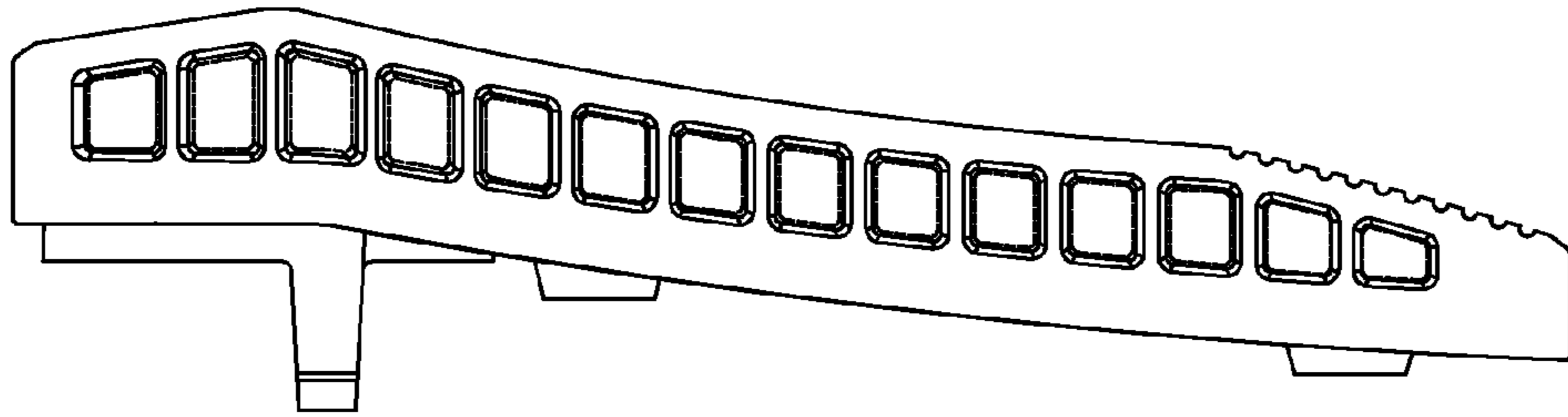


FIG. 2

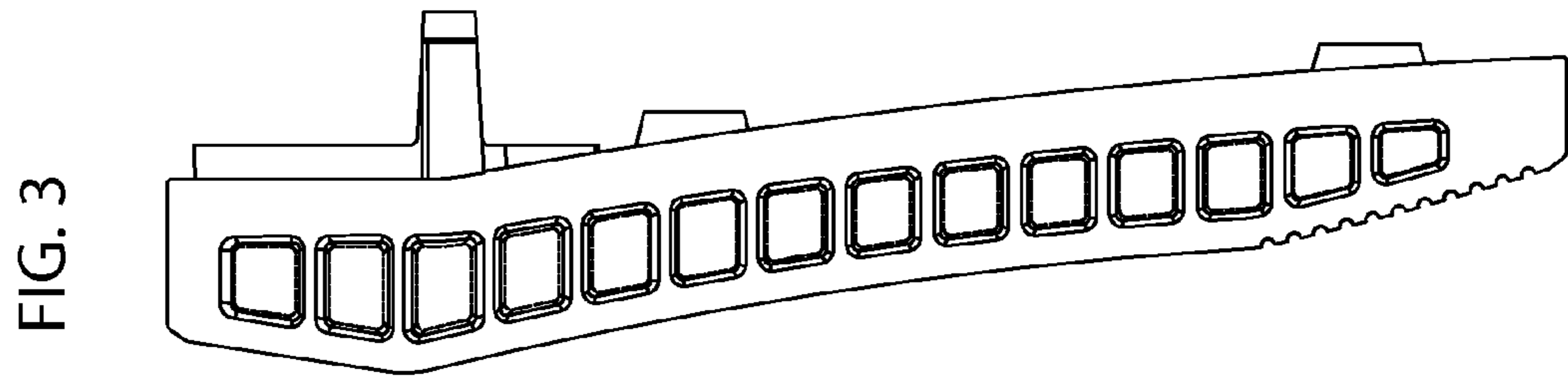


FIG. 3

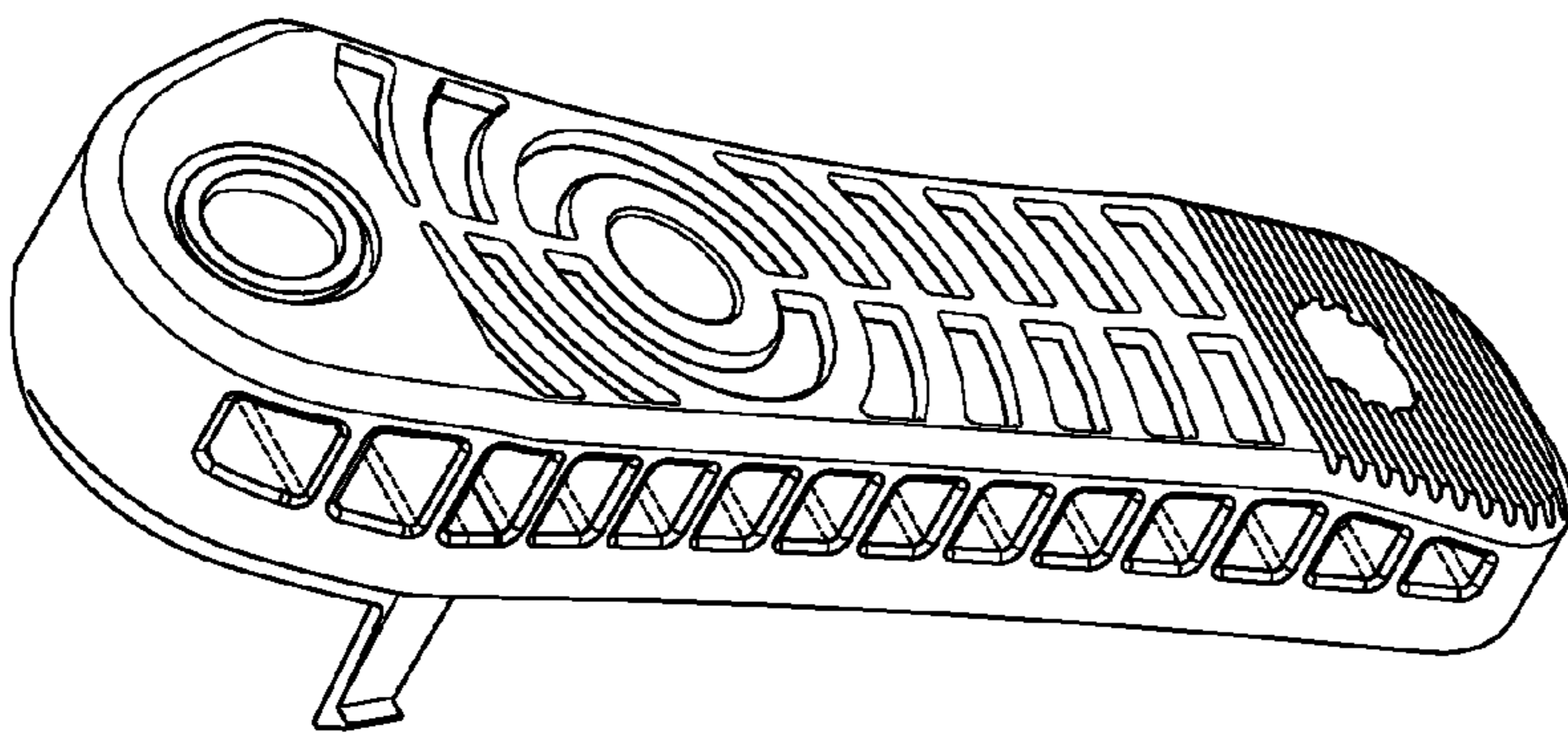


FIG. 1

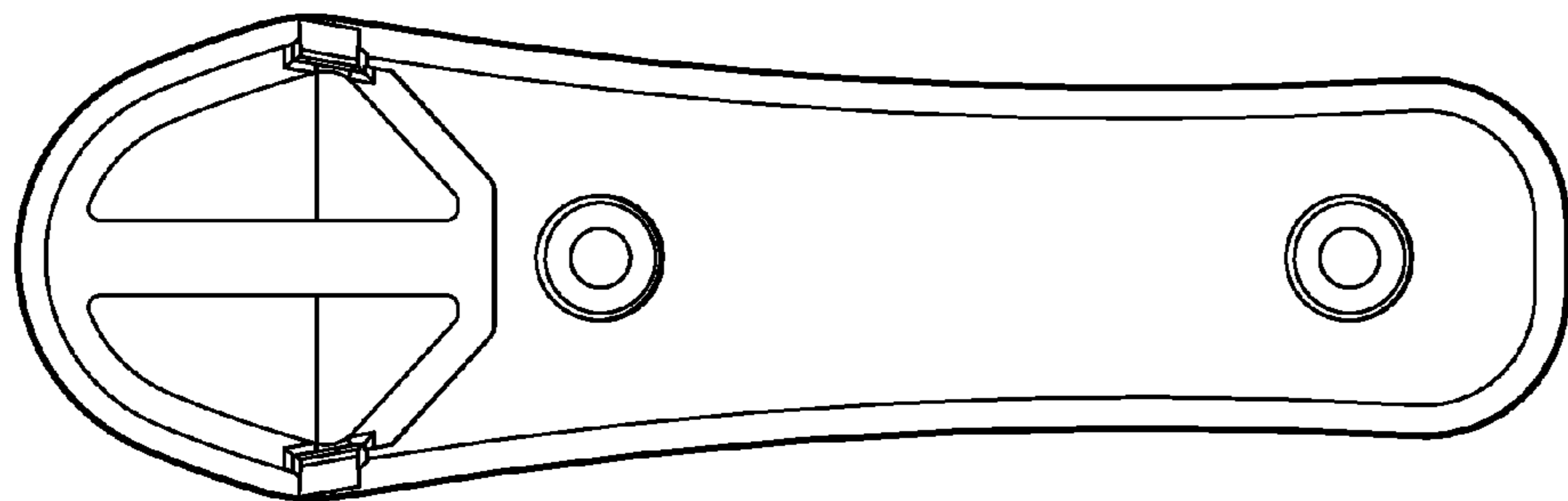


FIG. 4

FIG. 5

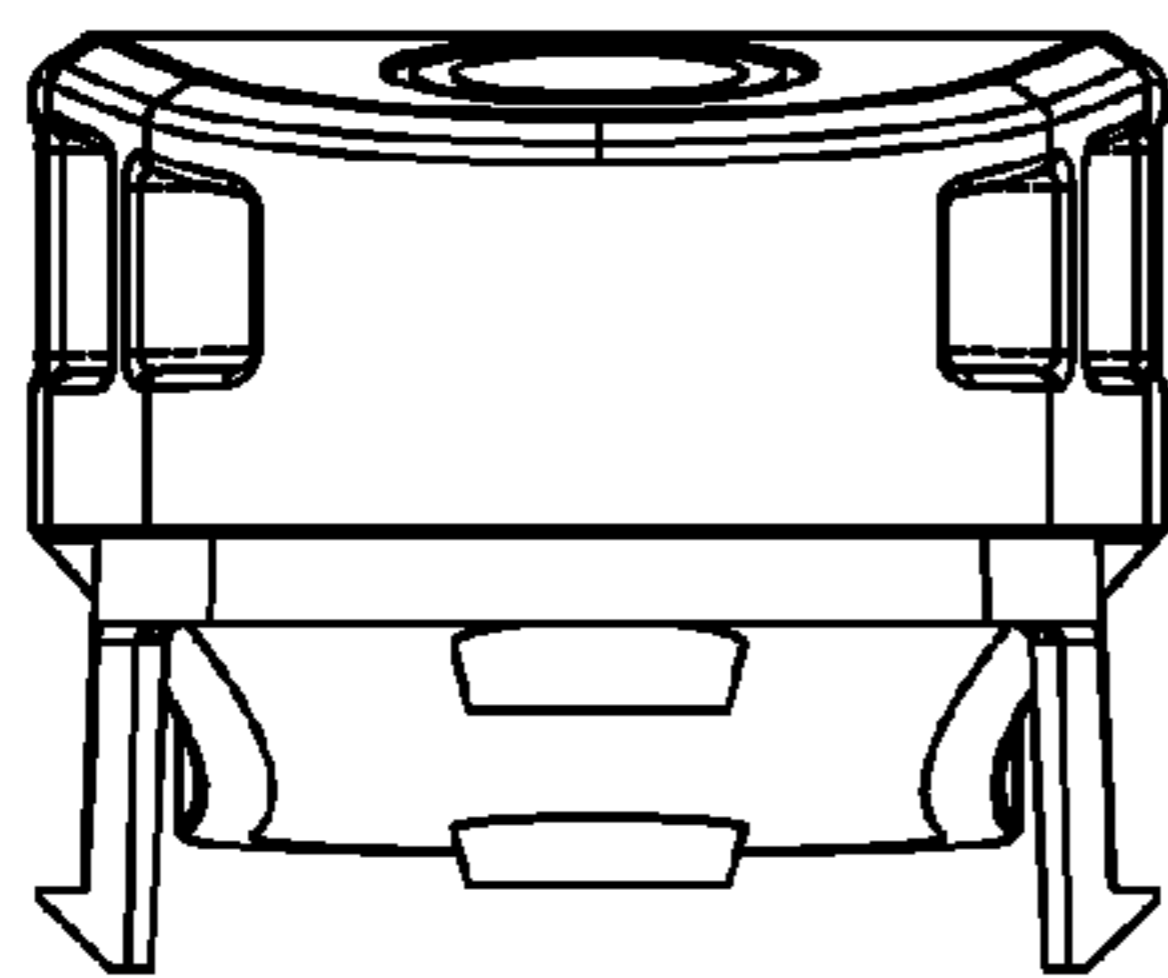
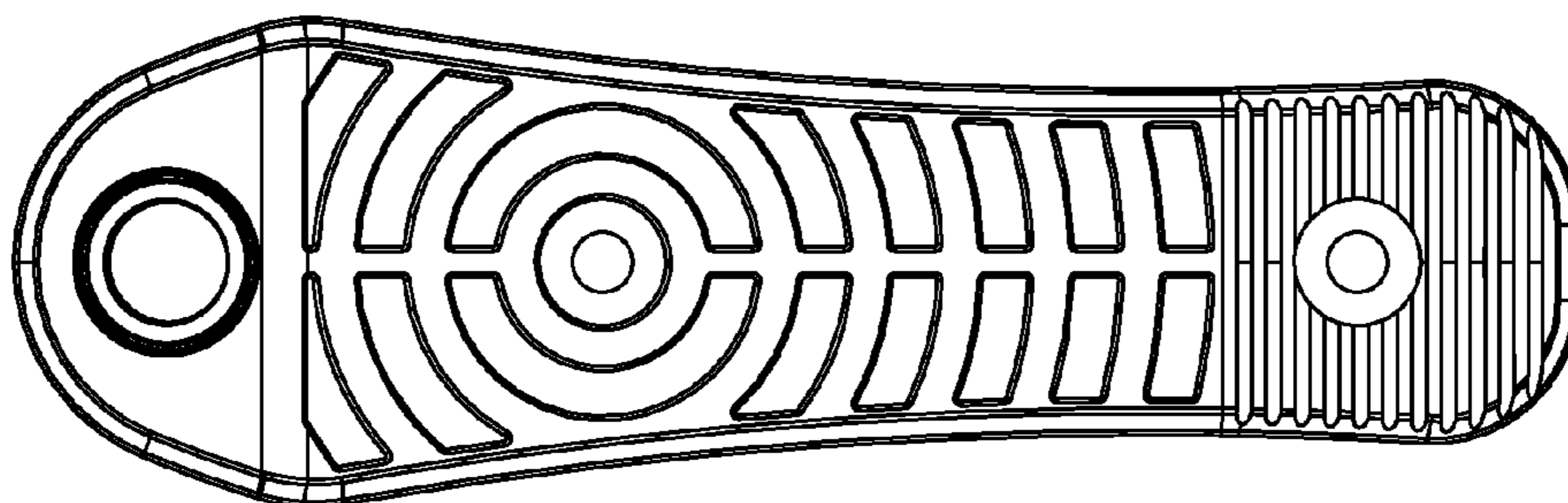


FIG. 6

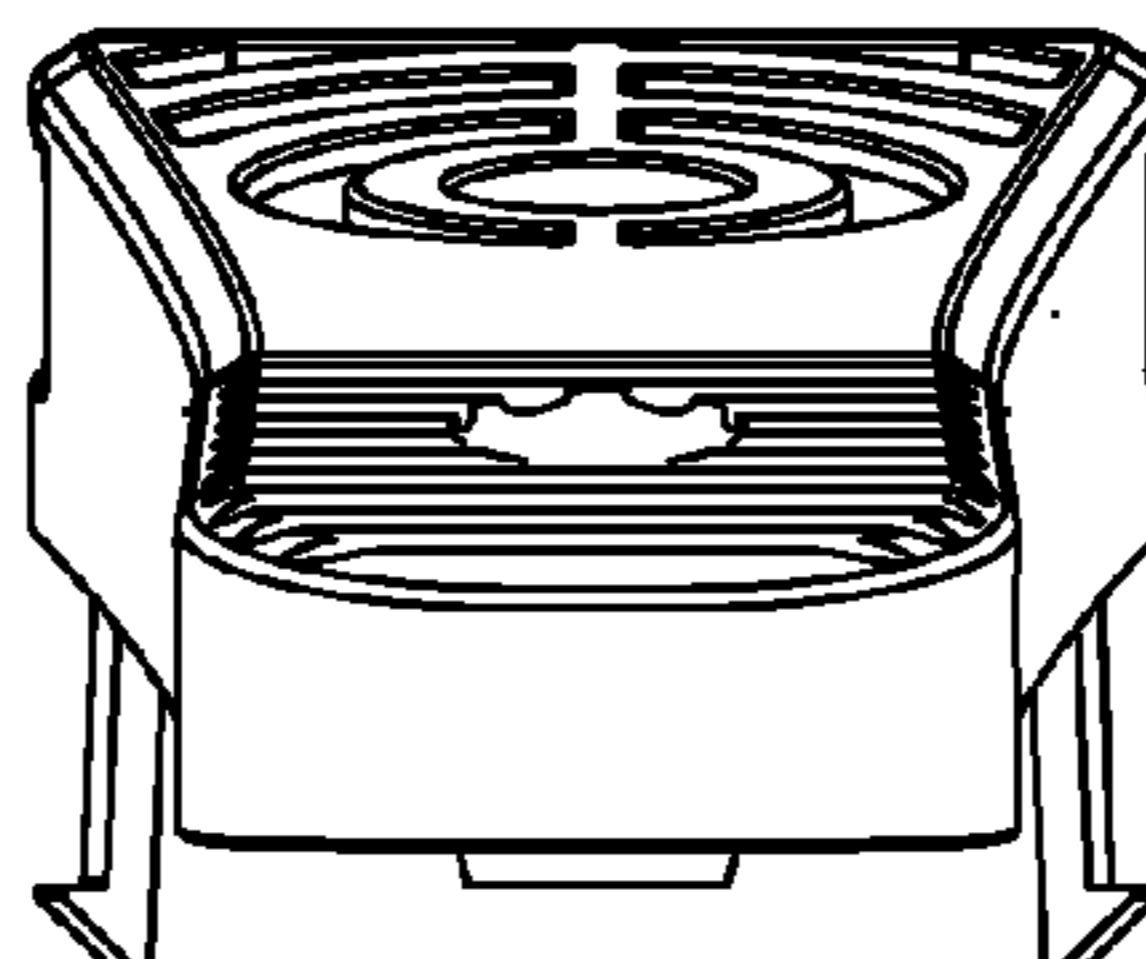


FIG. 7

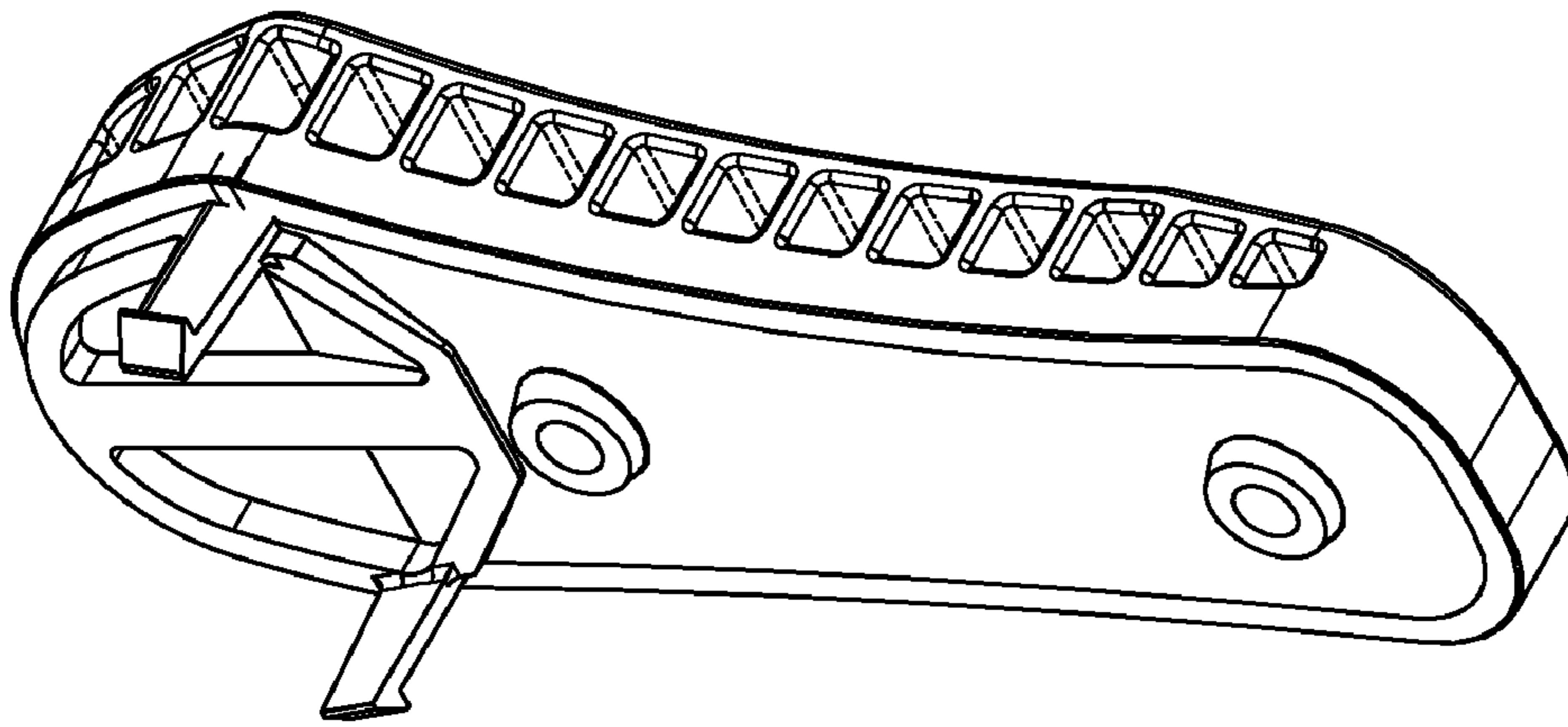


FIG. 9

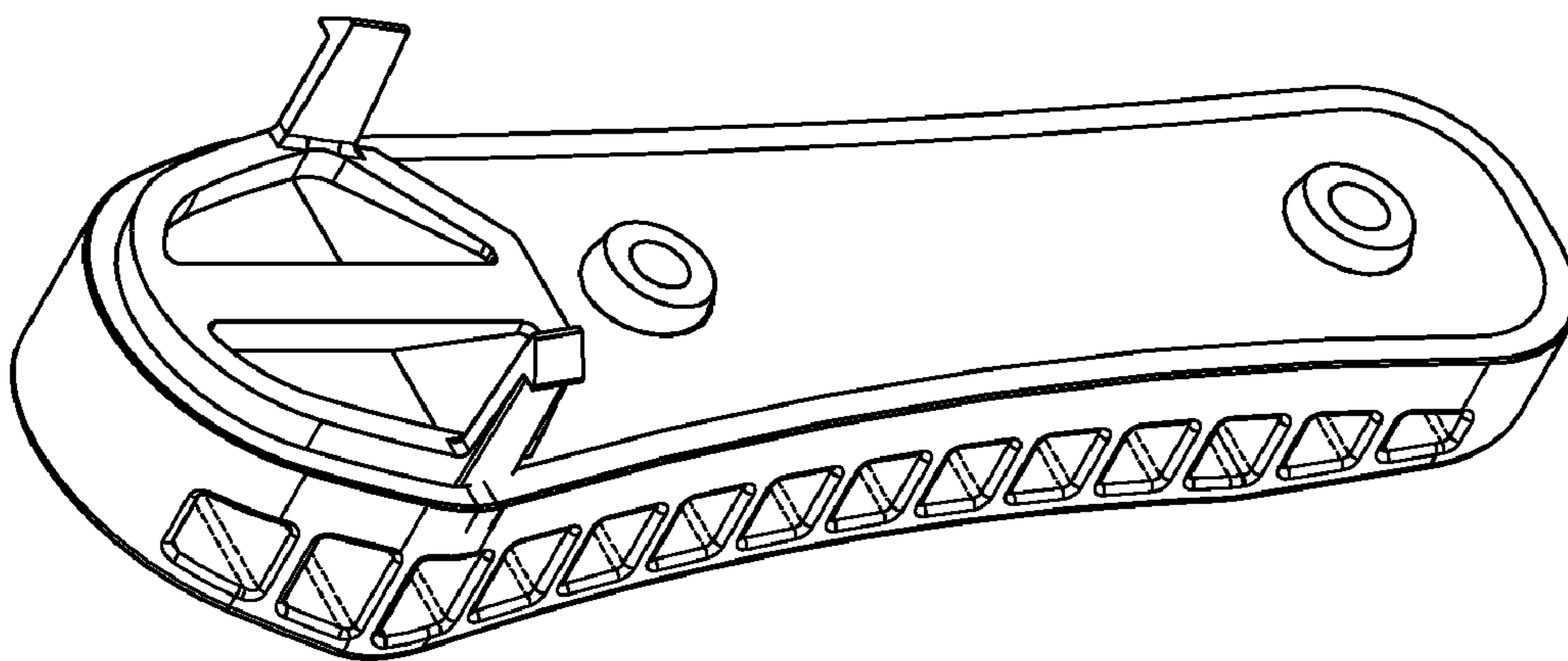


FIG. 8

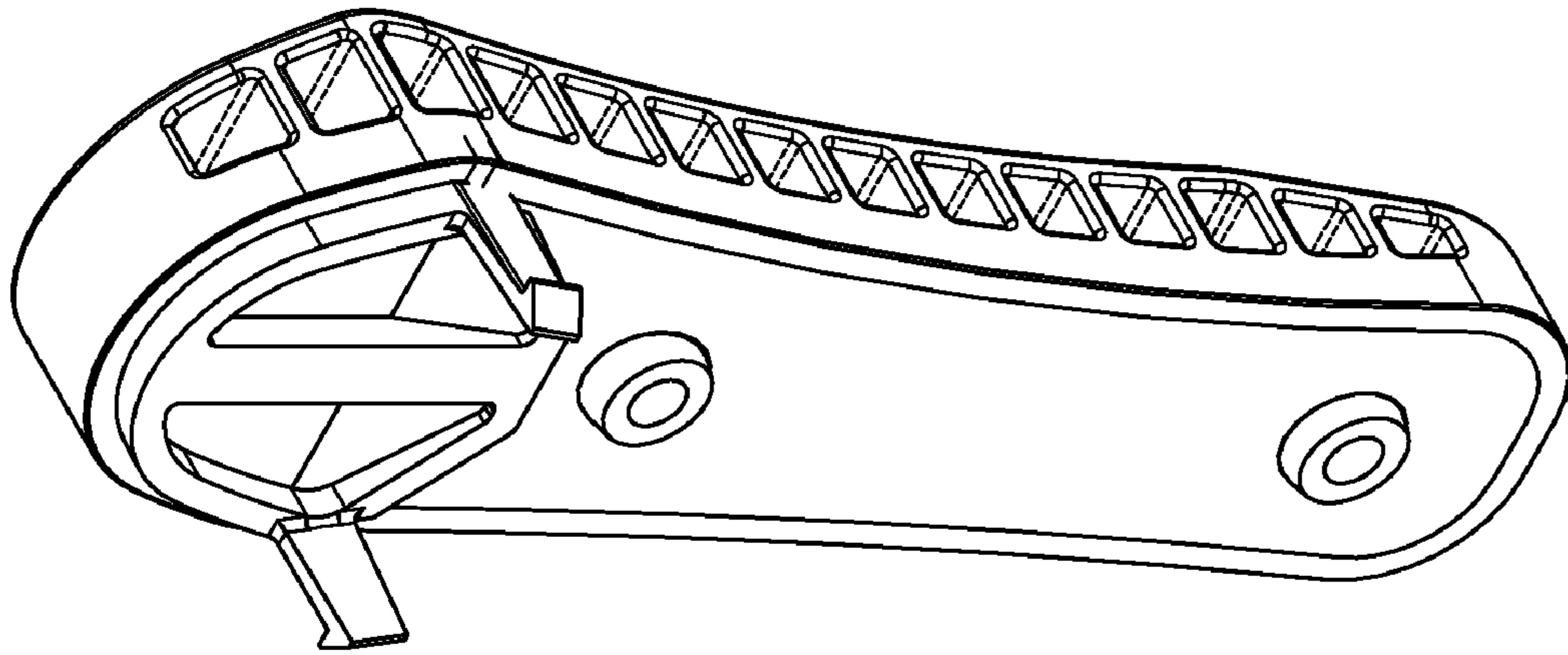


FIG. 11

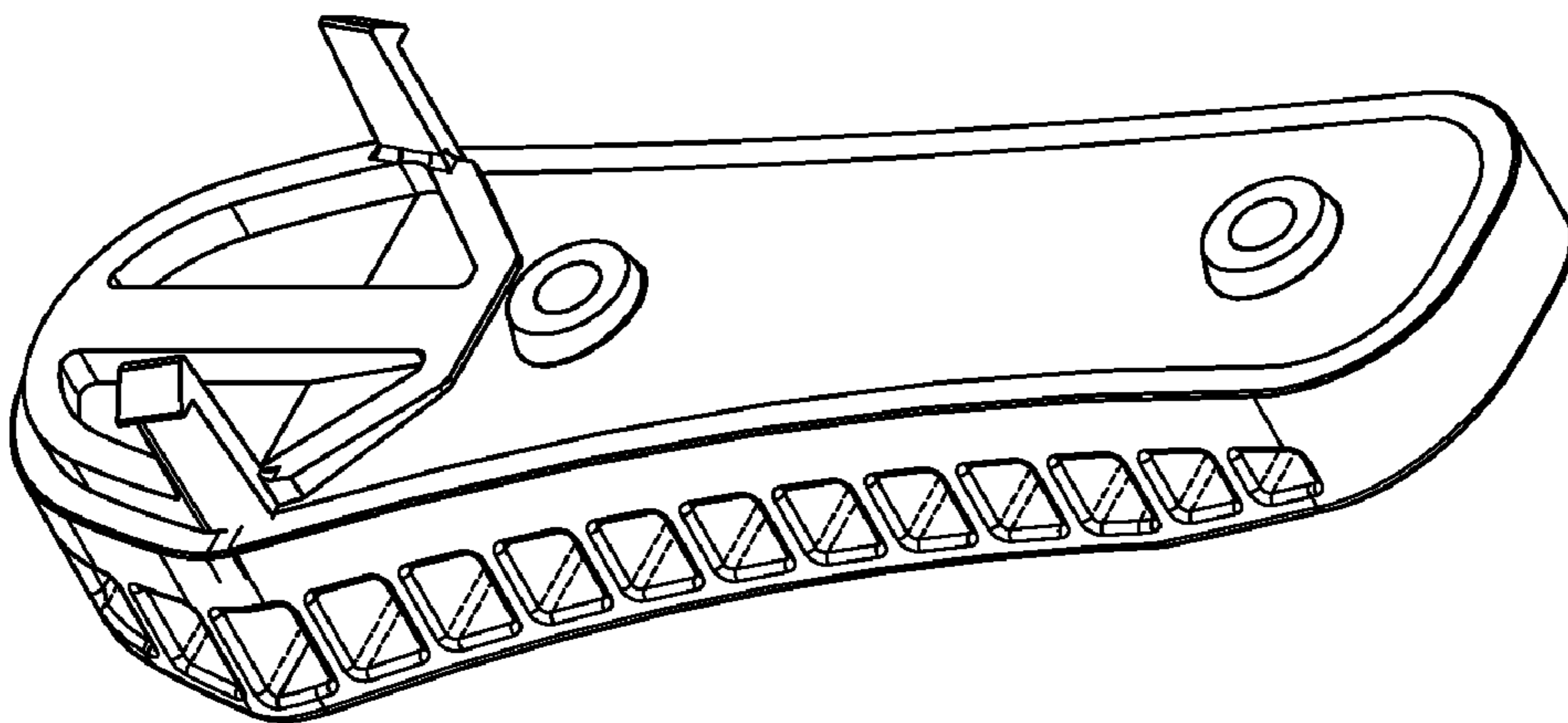


FIG. 10