



US00D620541S

(12) **United States Design Patent**  
**Timbers**

(10) **Patent No.:** **US D620,541 S**

(45) **Date of Patent:** **\*\* Jul. 27, 2010**

(54) **CAMOUFLAGE GOLF TEE**

(76) **Inventor:** **Ed Timbers**, 18604 68th St. East,  
Bonney Lake, WA (US) 98391

(\*\*) **Term:** **14 Years**

(21) **Appl. No.:** **29/314,228**

(22) **Filed:** **Mar. 16, 2009**

(51) **LOC (9) Cl.** ..... **21-02**

(52) **U.S. Cl.** ..... **D21/718**

(58) **Field of Classification Search** ..... D21/715-721,  
D21/789-796, 708, 709, 714; 473/386-403  
See application file for complete search history.

(56) **References Cited**

**U.S. PATENT DOCUMENTS**

1,645,001	A	10/1927	Hodges	
D85,229	S	9/1931	Cannon, Jr.	
D91,149	S	12/1933	Thompson	
1,959,347	A *	5/1934	Czichos	473/401
D142,521	S	10/1945	Hughes	
2,470,817	A *	5/1949	Hendricks	473/396
3,645,537	A *	2/1972	Parenteau	473/396
3,749,409	A *	7/1973	Redmon	473/261
D230,168	S *	1/1974	Redmon	D21/718
4,014,541	A	3/1977	Desmarais	
D285,103	S	8/1986	Kurtz	
D309,380	S	7/1990	Barger et al.	
D315,384	S *	3/1991	Lankford	D21/718
5,085,438	A	2/1992	Takeo	
D348,296	S	6/1994	Salonica	
D366,918	S	2/1996	Mathers	
D375,777	S	11/1996	Whittlesey	
5,741,062	A *	4/1998	Man	362/208
6,290,616	B1 *	9/2001	Evans et al.	473/399
D452,720	S *	1/2002	Blankenship	D21/708

6,500,077	B1 *	12/2002	Wei	473/397
D485,318	S	1/2004	Bonfanti	
D491,136	S *	6/2004	Zanzig et al.	D12/605
D524,885	S	7/2006	Solari	
2003/0104884	A1 *	6/2003	Eastman	473/578
2005/0085319	A1 *	4/2005	Eckert et al.	473/399
2008/0119305	A1 *	5/2008	Wong	473/396
2009/0088274	A1 *	4/2009	Blais	473/398

**FOREIGN PATENT DOCUMENTS**

DE	202005010586	U1 *	10/2005
KR	2004038972	A *	5/2004
WO	WO 2005032668	A1 *	4/2005

\* cited by examiner

*Primary Examiner*—Catherine Tuttle  
(74) *Attorney, Agent, or Firm*—Montgomery Patent and Design; Joseph T. Yaksich; Robert C. Montgomery

(57) **CLAIM**

The ornamental design for a camouflage golf tee, as shown and described.

**DESCRIPTION**

FIG. 1 is a front view of a camouflage golf tee, showing my new design.

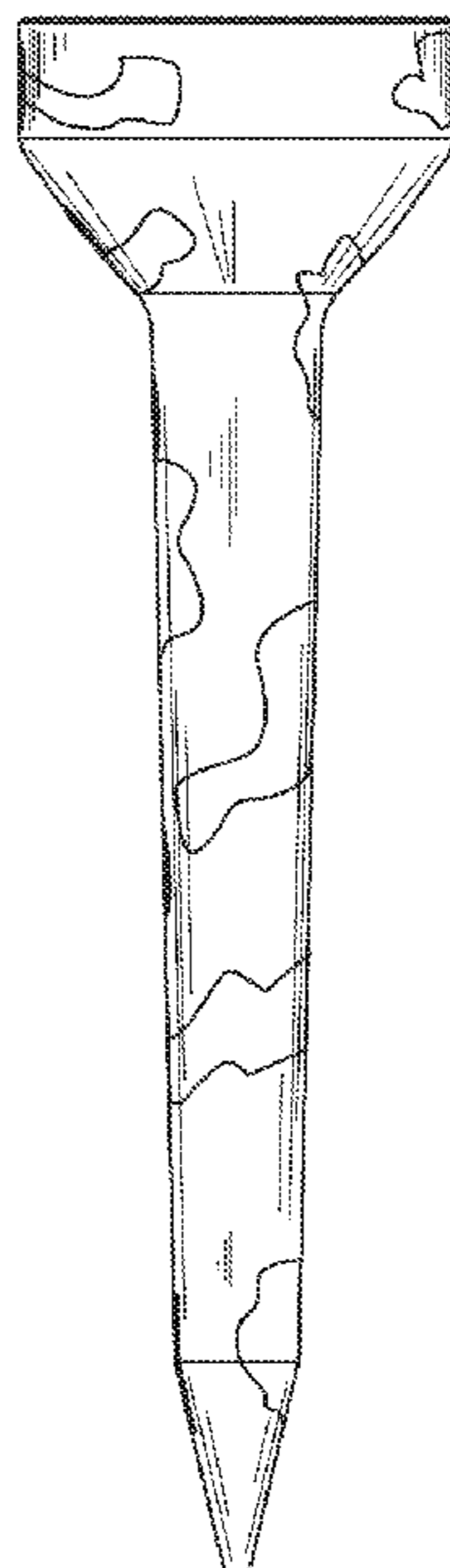
FIG. 2 is a rear view thereof; and,

FIG. 3 is a top view thereof.

Except for the surface pattern, the camouflage golf tee is geometrically symmetrical with a circular shaft and head.

The broken line is included for the purpose of illustrating a portion of the camouflage golf tee that, together with the adjacent unshaded regions forms no part of the claimed design.

**1 Claim, 3 Drawing Sheets**



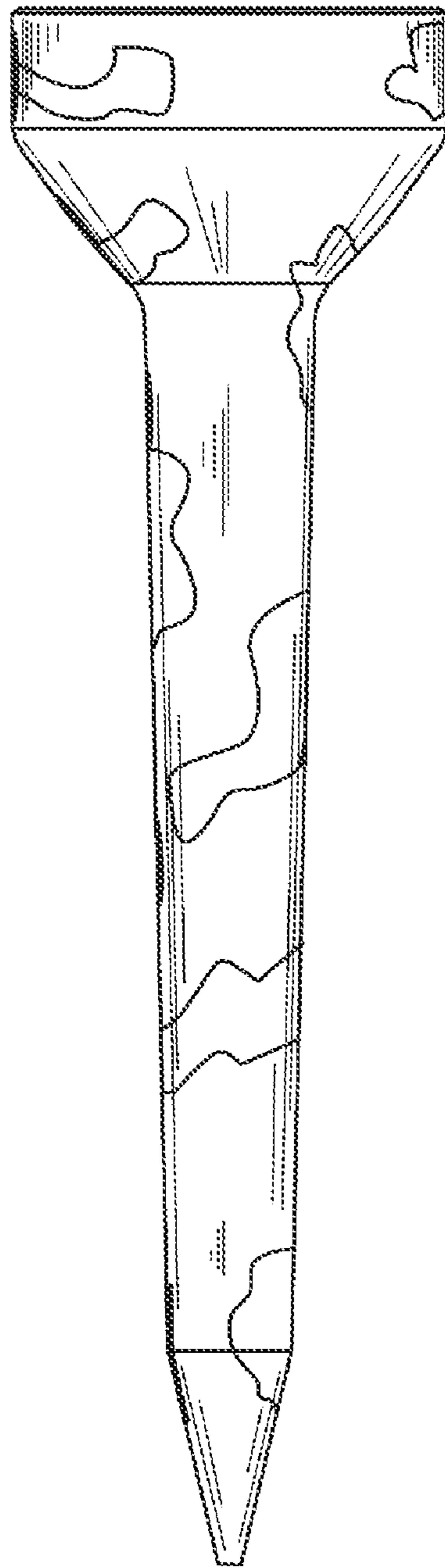


Fig. 1

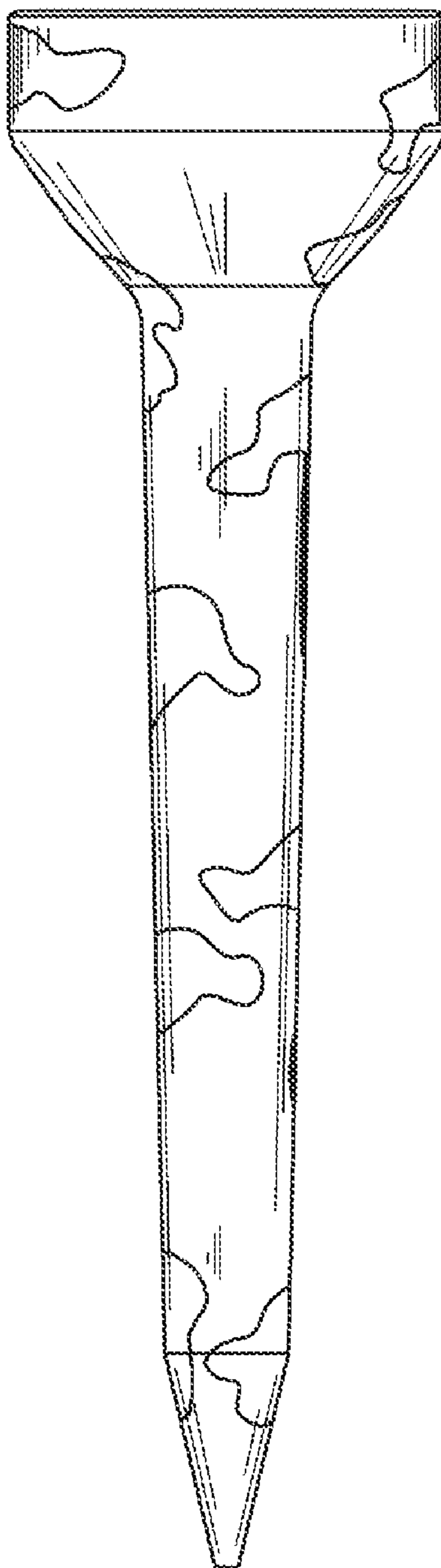


Fig. 2

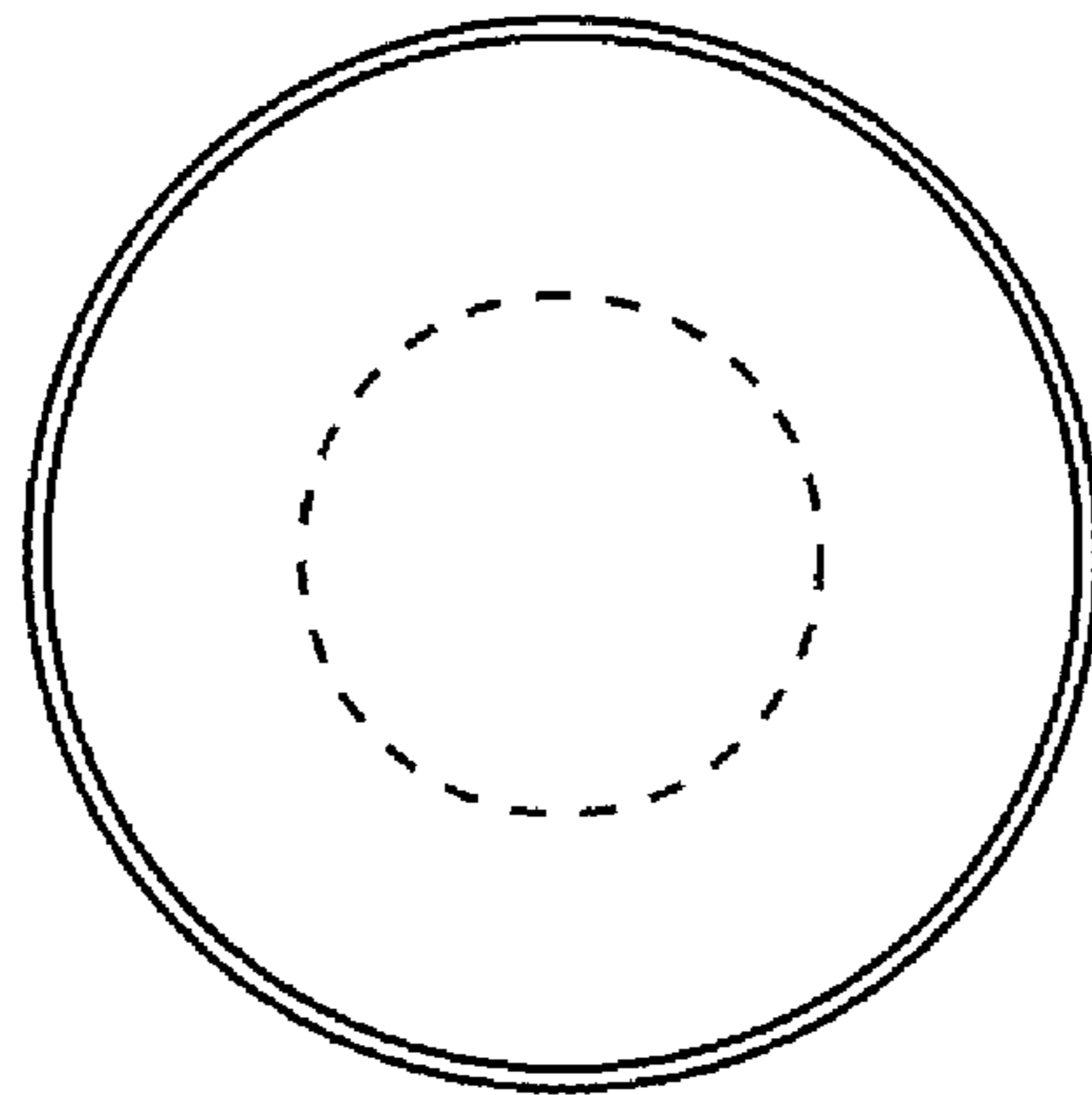


Fig. 3