



US00D620540S

(12) **United States Design Patent**
McVay et al.

(10) **Patent No.:** **US D620,540 S**

(45) **Date of Patent:** **** *Jul. 27, 2010**

(54) **EXERCISE DEVICE**

(75) Inventors: **John R. McVay**, Canton, OH (US); **Jane Kmatz**, Louisville, OH (US); **Brian Stelmarski**, Northfield Center, OH (US); **Neil Summers**, Docking (GB); **Han-Sung Lin**, Xiamen Fujian (CN)

5,279,532 A 1/1994 Chen
5,326,338 A 7/1994 Makous
5,328,427 A 7/1994 Sleamaker
5,425,691 A 6/1995 Van Der Hoeven
5,503,609 A 4/1996 Bull

(73) Assignee: **Enanef, Ltd.**, Docking, Surrey (GB)

(Continued)

(*) Notice: This patent is subject to a terminal disclaimer.

EM 68267-0001 8/2003

FOREIGN PATENT DOCUMENTS

(**) Term: **14 Years**

(Continued)

(21) Appl. No.: **29/331,090**

OTHER PUBLICATIONS

(22) Filed: **Jan. 20, 2009**

Daily Mail, Jul. 14, 2006, 7 pages.

Related U.S. Application Data

(63) Continuation of application No. 29/263,941, filed on Aug. 1, 2006, now Pat. No. Des. 589,573.

Primary Examiner—Susan E Krakower

(74) *Attorney, Agent, or Firm*—Brouse McDowell; Heather M. Barnes

(51) **LOC (9) Cl.** **21-02**

(57) **CLAIM**

(52) **U.S. Cl.** **D21/668**

The ornamental design for an exercise device, as shown and described.

(58) **Field of Classification Search** D21/662, D21/663, 668, 669, 970, 688, 694; 482/51, 482/52, 54, 63, 70, 71

See application file for complete search history.

DESCRIPTION

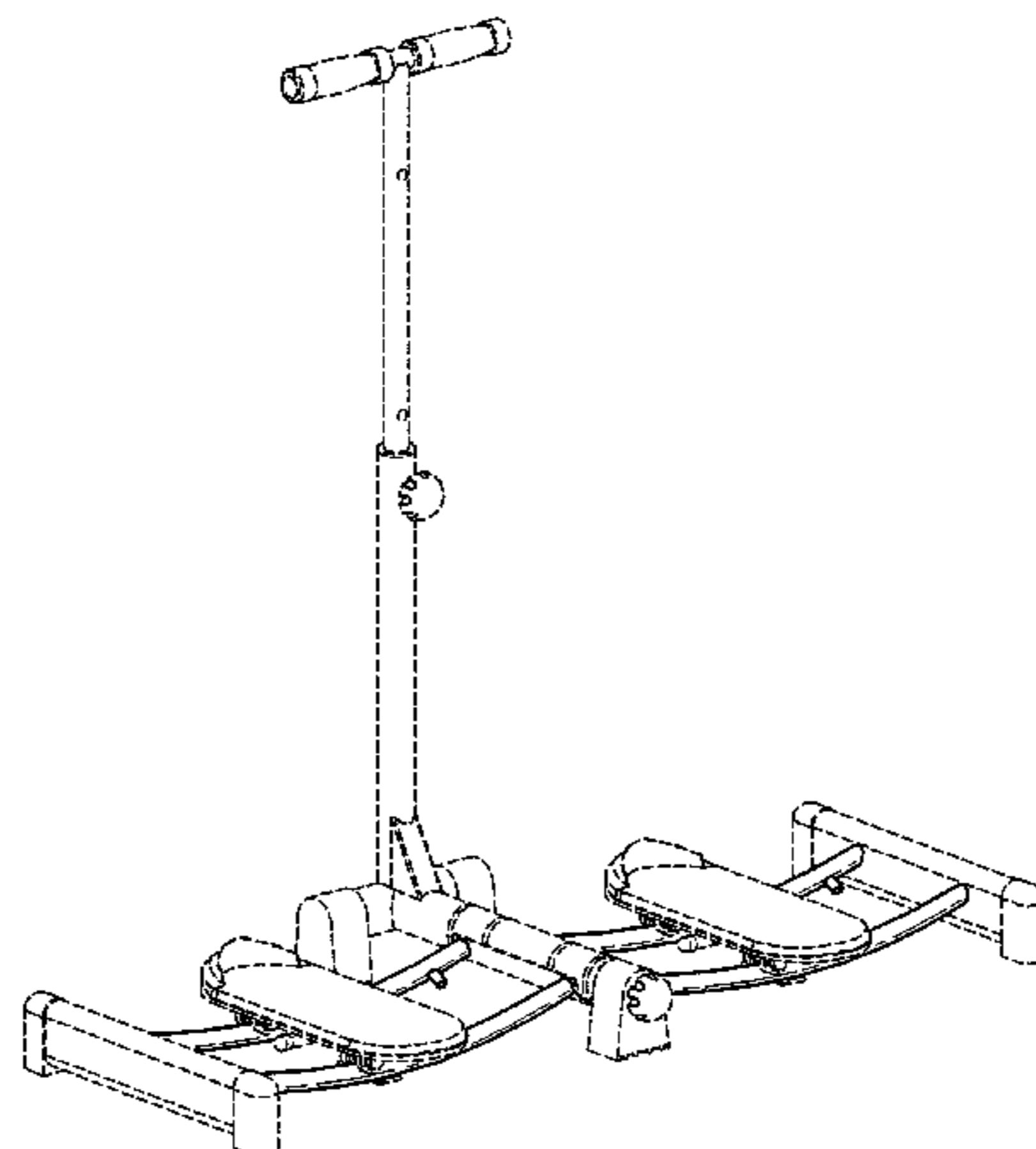
(56) **References Cited**

U.S. PATENT DOCUMENTS

3,791,645 A 2/1974 Stelma
4,340,214 A 7/1982 Schutzer
4,650,184 A 3/1987 Brebner
4,846,463 A 7/1989 Kleinnibbelink
4,869,496 A 9/1989 Colombo
4,909,504 A 3/1990 Yang
5,020,793 A 6/1991 Loane
5,064,190 A 11/1991 Holt
5,078,389 A 1/1992 Chen
5,209,711 A * 5/1993 Scrima 482/70
5,222,928 A 6/1993 Yacullo
5,232,423 A 8/1993 Hajduczek

FIG. 1 is a perspective view showing the new design;
FIG. 2 is a front elevational view thereof;
FIG. 3 is a rear elevational view thereof;
FIG. 4 is a top plan view thereof;
FIG. 5 is a bottom plan view thereof;
FIG. 6 is side elevational view taken from the right of FIG. 1; and,
FIG. 7 is a side elevational view taken from the left of FIG. 1.
The broken lines are for illustrative purposes only and form no part of the claimed design.

1 Claim, 5 Drawing Sheets



US D620,540 S

Page 2

U.S. PATENT DOCUMENTS

5,518,483 A 5/1996 Oswald
5,520,598 A 5/1996 Little
D370,949 S 6/1996 Furner
D371,176 S 6/1996 Furner
5,536,225 A 7/1996 Neuberg et al.
5,582,567 A 12/1996 Chang
5,591,105 A 1/1997 Dalebout et al.
5,613,856 A 3/1997 Hoover
D383,812 S 9/1997 Lo et al.
5,665,033 A 9/1997 Palmer
D385,600 S 10/1997 Lo et al.
5,683,331 A 11/1997 Dalebout
5,690,590 A 11/1997 Lo
D387,107 S 12/1997 Yang
5,692,995 A 12/1997 Alvarez et al.
5,735,778 A 4/1998 Piaget
5,895,340 A 4/1999 Keller
5,971,891 A 10/1999 Humphrey
5,989,163 A 11/1999 Rodgers, Jr.
D419,625 S 1/2000 Barnett et al.
6,042,510 A 3/2000 Miller
6,071,217 A 6/2000 Barnett
6,077,202 A 6/2000 Gray
D439,291 S 3/2001 Barnett et al.
6,231,484 B1 5/2001 Gordon
6,232,423 B1 5/2001 Kohler
6,280,366 B1 8/2001 Hsieh
6,368,112 B1 4/2002 Mason

6,368,254 B1 4/2002 Wall
6,508,746 B1 1/2003 Jacobs et al.
6,514,180 B1 2/2003 Rawls
6,620,080 B1 9/2003 Gray
6,626,802 B1 9/2003 Rodgers, Jr.
6,679,813 B1 1/2004 Gray
6,786,850 B2 9/2004 Nizamuddin
6,837,830 B2 1/2005 Eldridge
6,849,032 B2 2/2005 Chu
D512,111 S 11/2005 Summers
6,984,195 B1 1/2006 Phillips
6,991,588 B1 1/2006 Adams
D550,312 S 9/2007 Summers
7,294,100 B2 * 11/2007 Bull 482/51
7,419,459 B2 * 9/2008 Van Straaten 482/70
D582,997 S * 12/2008 Olason et al. D21/694
D589,573 S * 3/2009 McVay et al. D21/668
7,556,592 B2 * 7/2009 Nizam 482/70
D603,001 S * 10/2009 Wong D21/688
2002/0042329 A1 * 4/2002 Nizamuddin 482/51
2006/0189454 A1 * 8/2006 Bull 482/71
2007/0179027 A1 * 8/2007 Van Straaten 482/71
2009/0176623 A1 * 7/2009 Chen 482/51

FOREIGN PATENT DOCUMENTS

GB 3011754 3/2003
JP 2005-177405 12/2003

* cited by examiner

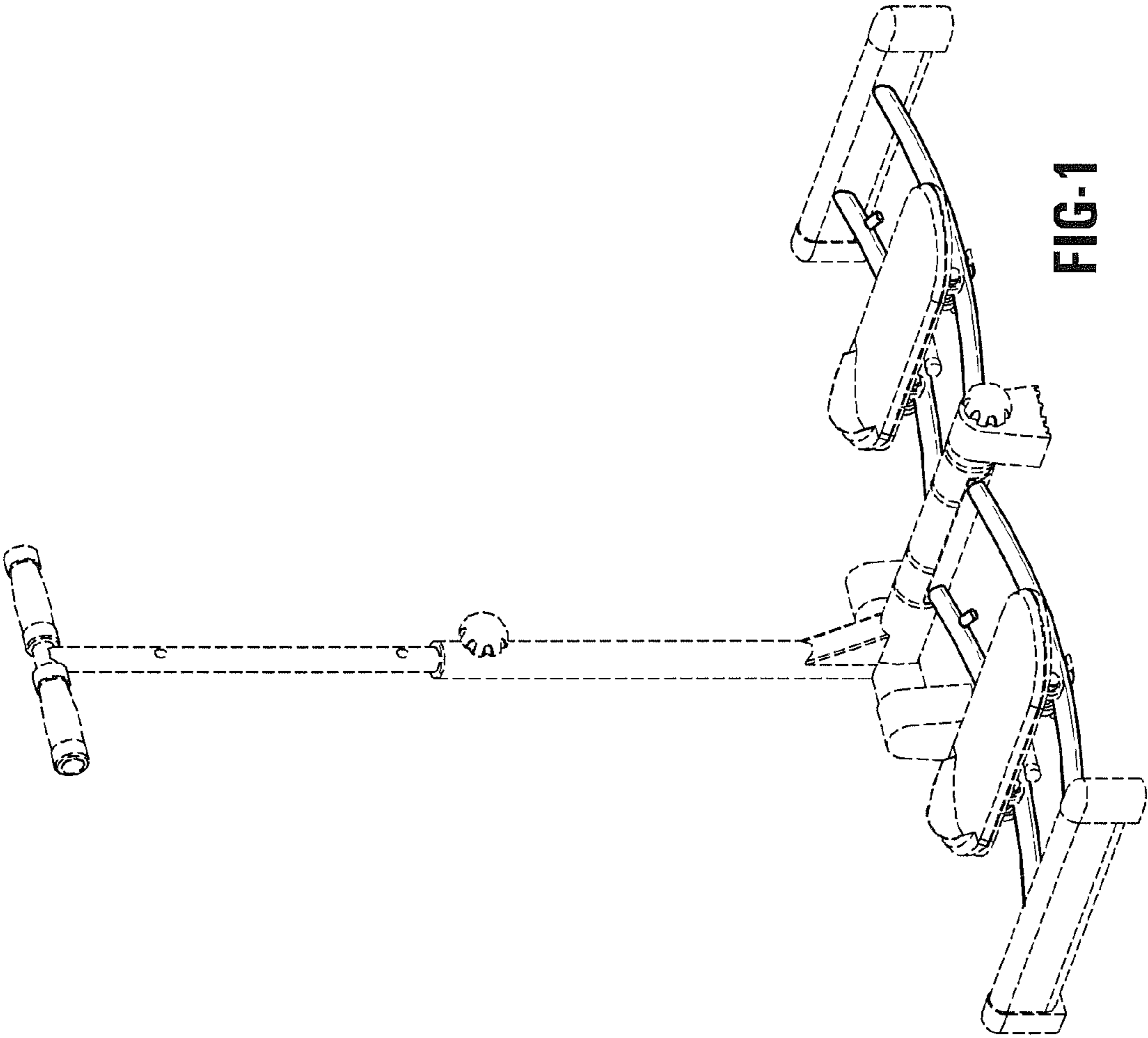


FIG-1

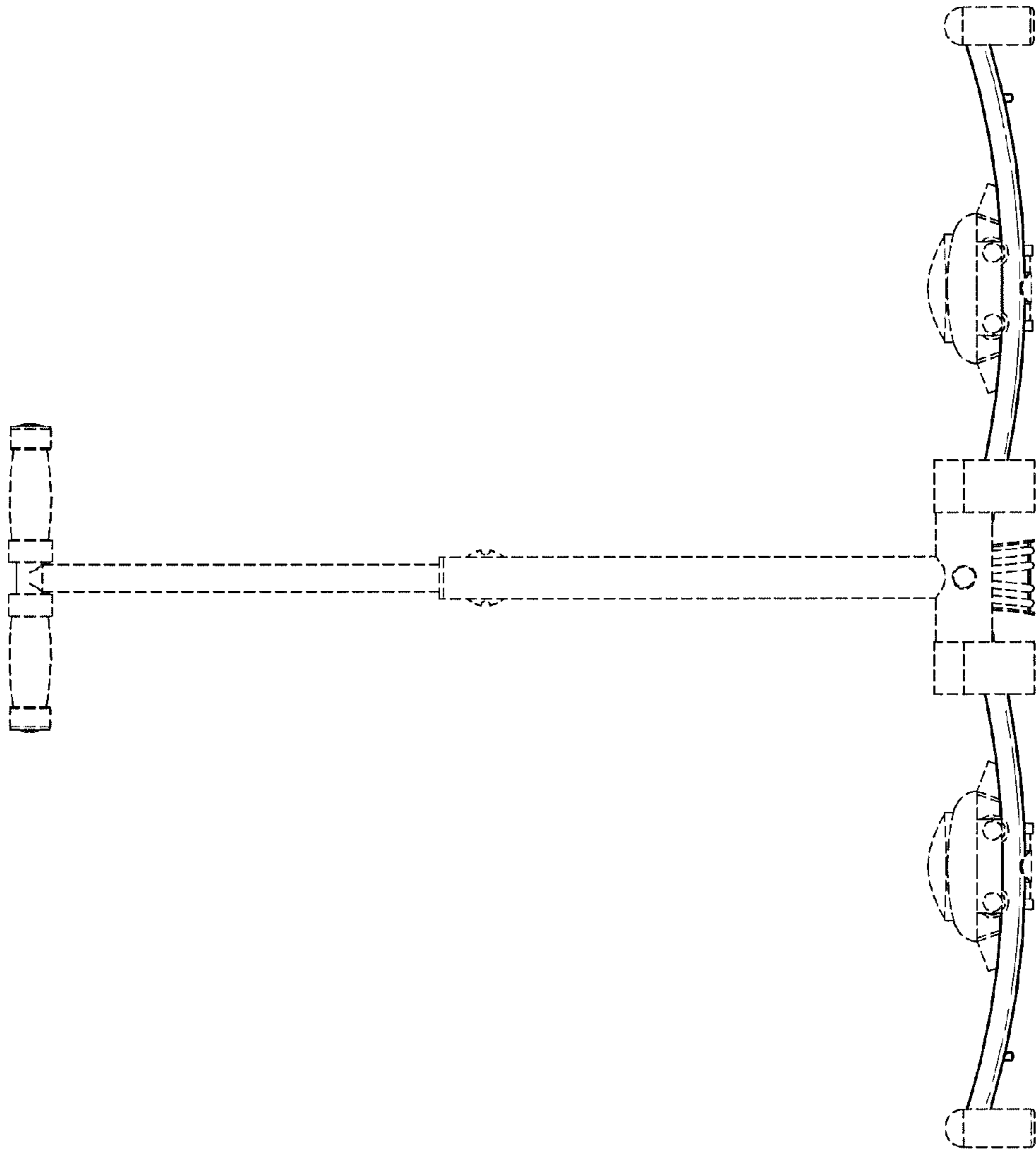


FIG-2

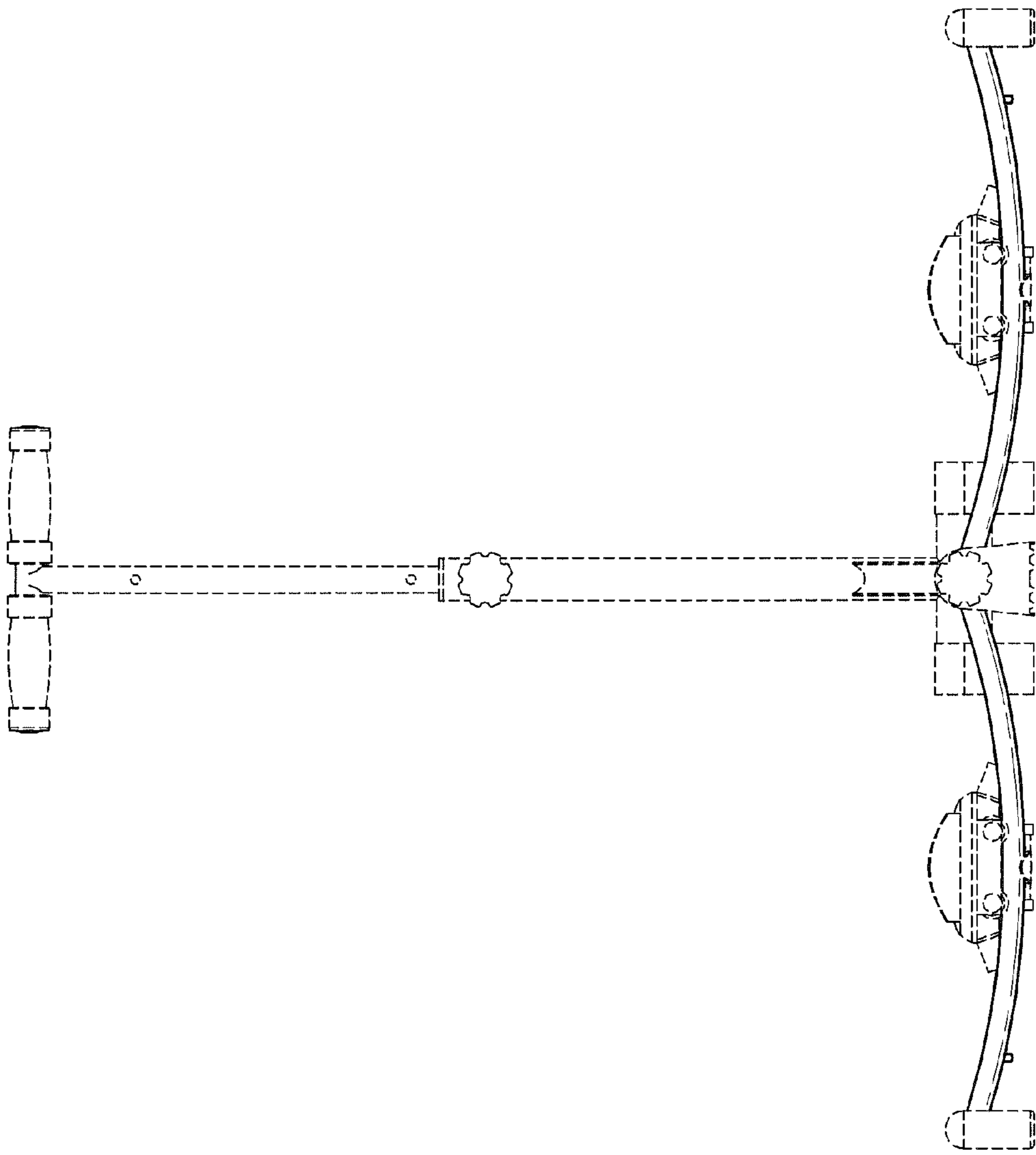


FIG-3

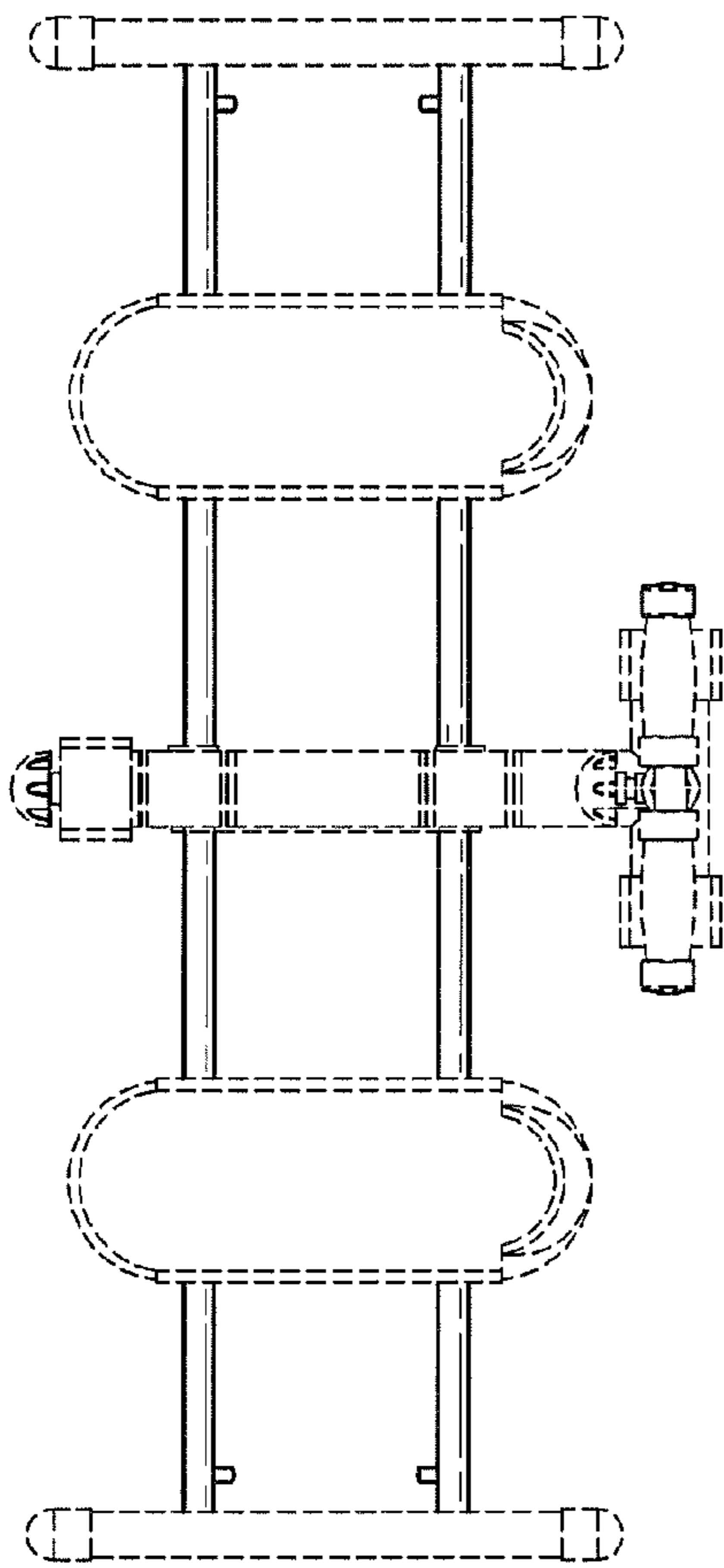


FIG-4

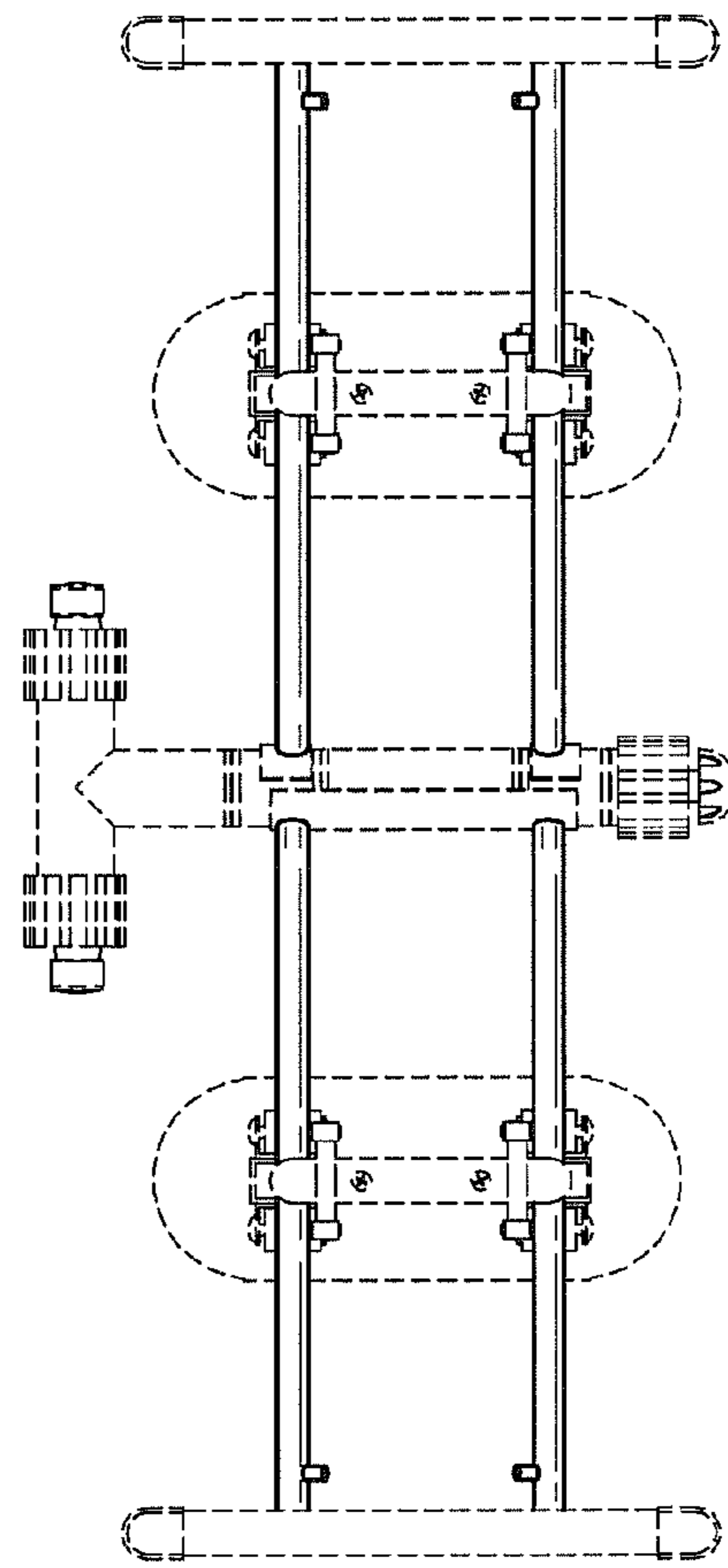


FIG-5

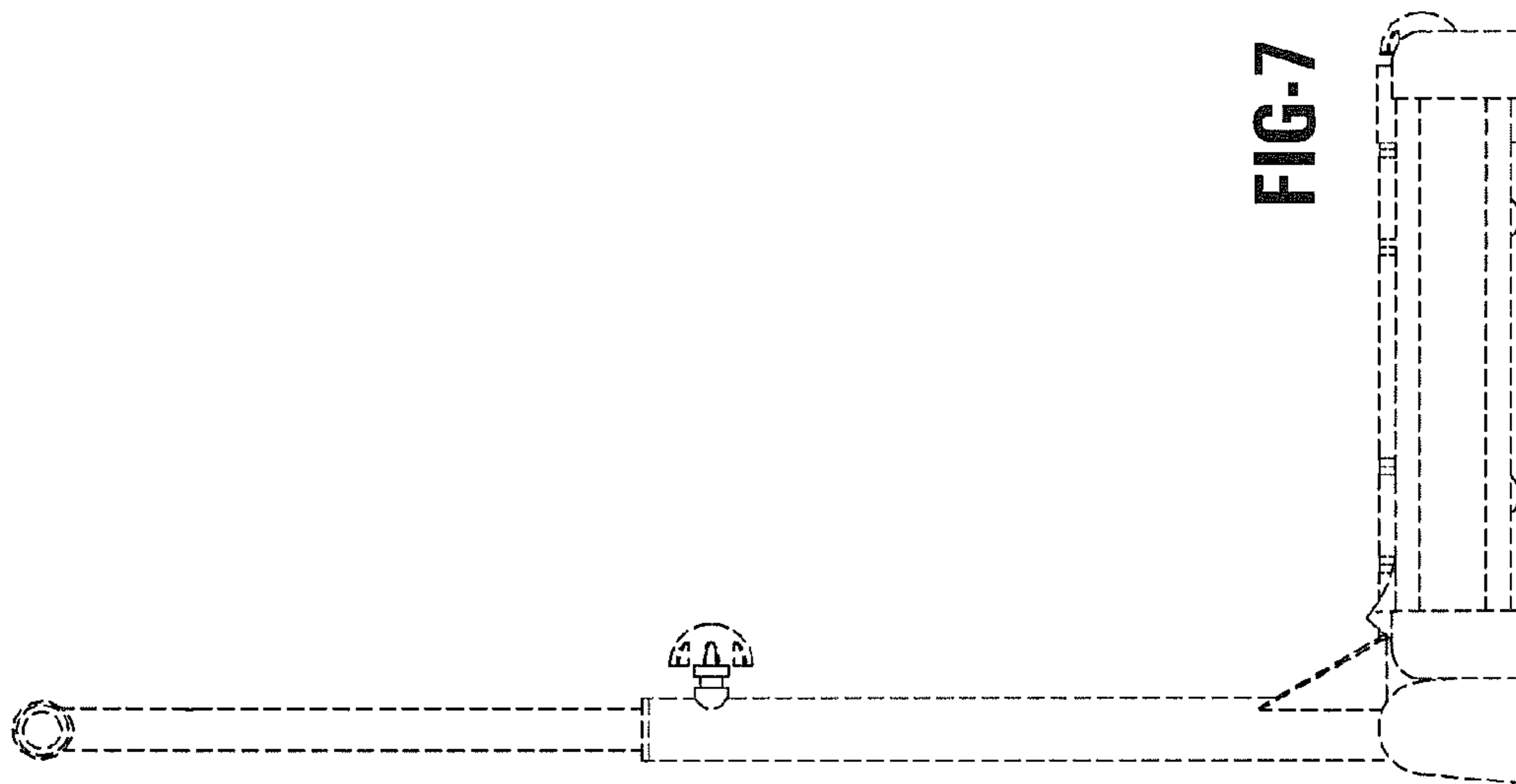


FIG-7

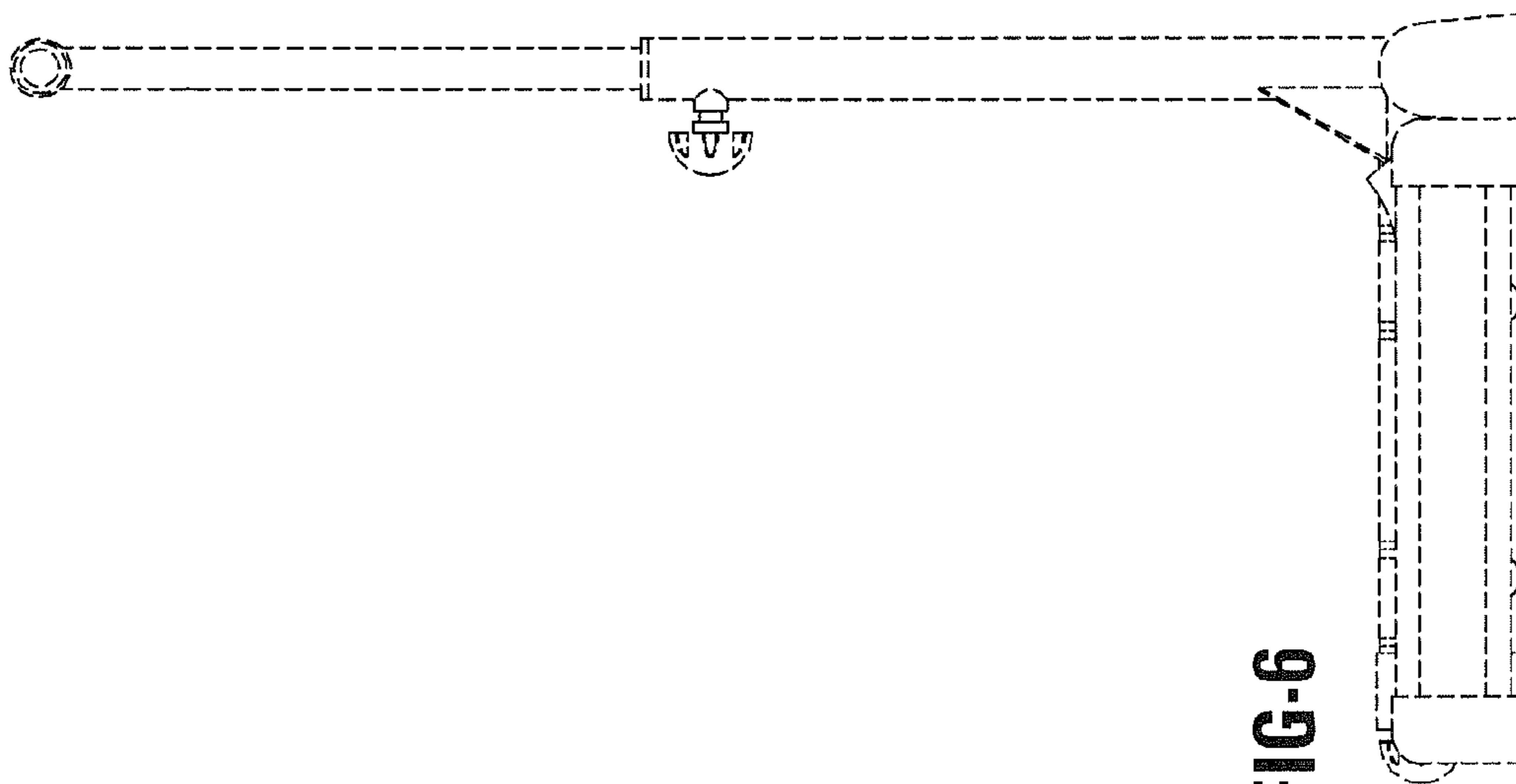


FIG-6