



US00D620539S

(12) **United States Design Patent**
Badanjo

(10) **Patent No.:** **US D620,539 S**
(45) **Date of Patent:** **** Jul. 27, 2010**

(54) **CAR**
(75) Inventor: **Ariel Badanjo**, Shanghai (CN)
(73) Assignee: **Toymonster Intellectual Property Limited (VG)**
(**) Term: **14 Years**
(21) Appl. No.: **29/299,487**
(22) Filed: **Dec. 27, 2007**

2,501,035 A * 3/1950 Doak et al. 280/828
D202,180 S * 9/1965 Exner, Sr. et al. D21/551
D226,813 S * 5/1973 French D21/765
D282,676 S * 2/1986 Effler et al. D21/551
D303,408 S * 9/1989 Wallace D21/550
D374,256 S * 10/1996 Golling D21/433
D449,861 S * 10/2001 Chiapetta et al. D21/433

* cited by examiner

Primary Examiner—Philip S Hyder
Assistant Examiner—Cynthia M Chin
(74) *Attorney, Agent, or Firm*—Ostrolenk Faber LLP

(51) **LOC (9) Cl.** **21-01**
(52) **U.S. Cl.** **D21/551; D21/433**
(58) **Field of Classification Search** D21/533,
D21/548, 549, 550, 561, 562, 424, 433; D12/82,
D12/86, 88, 89, 90, 91, 92, 93; 466/465,
466/468, 470, 431, 454–456; 280/1.023,
280/47.11, 87.01, 87.021
See application file for complete search history.

(57) **CLAIM**

The ornamental design for a car, as shown and described.

DESCRIPTION

FIG. 1 is a perspective view of a car showing my new design;
FIG. 2 is a front view thereof;
FIG. 3 is a right side view thereof, the left side being a mirror
image;
FIG. 4 is a top view thereof;
FIG. 5 is a bottom view thereof; and,
FIG. 6 is a back view thereof.

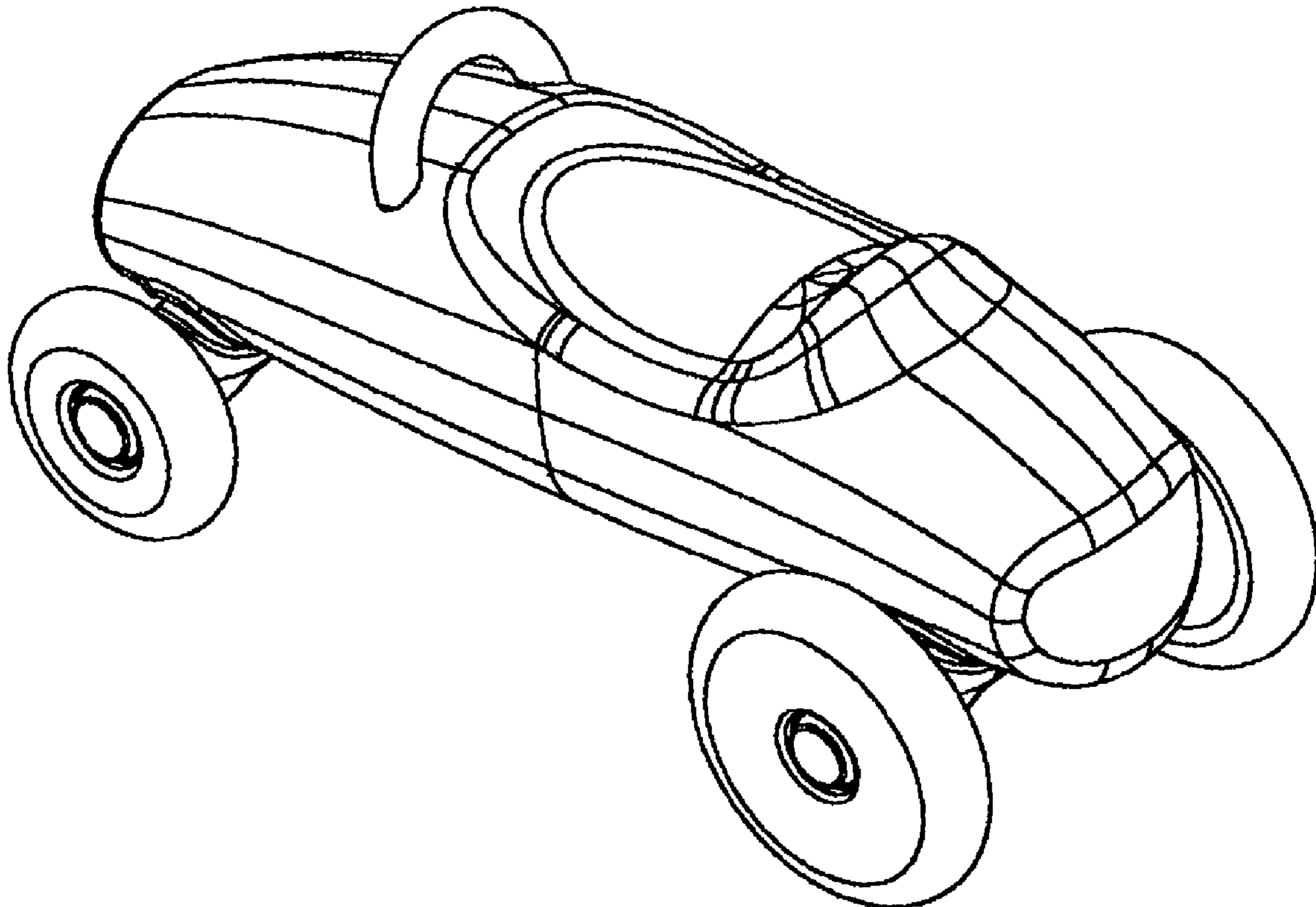
The broken lines in FIG. 5 represent portions of the design
that form no part of the claim.

1 Claim, 3 Drawing Sheets

(56) **References Cited**

U.S. PATENT DOCUMENTS

D75,910 S * 7/1928 Gordon D21/433
1,990,793 A * 2/1935 Matsumoto 446/470
D143,099 S * 12/1945 Stack, Jr. D21/549
D147,423 S * 9/1947 Smith D21/433
D152,154 S * 12/1948 Hoffman D21/548
2,470,061 A * 5/1949 Wheeler 280/87.01



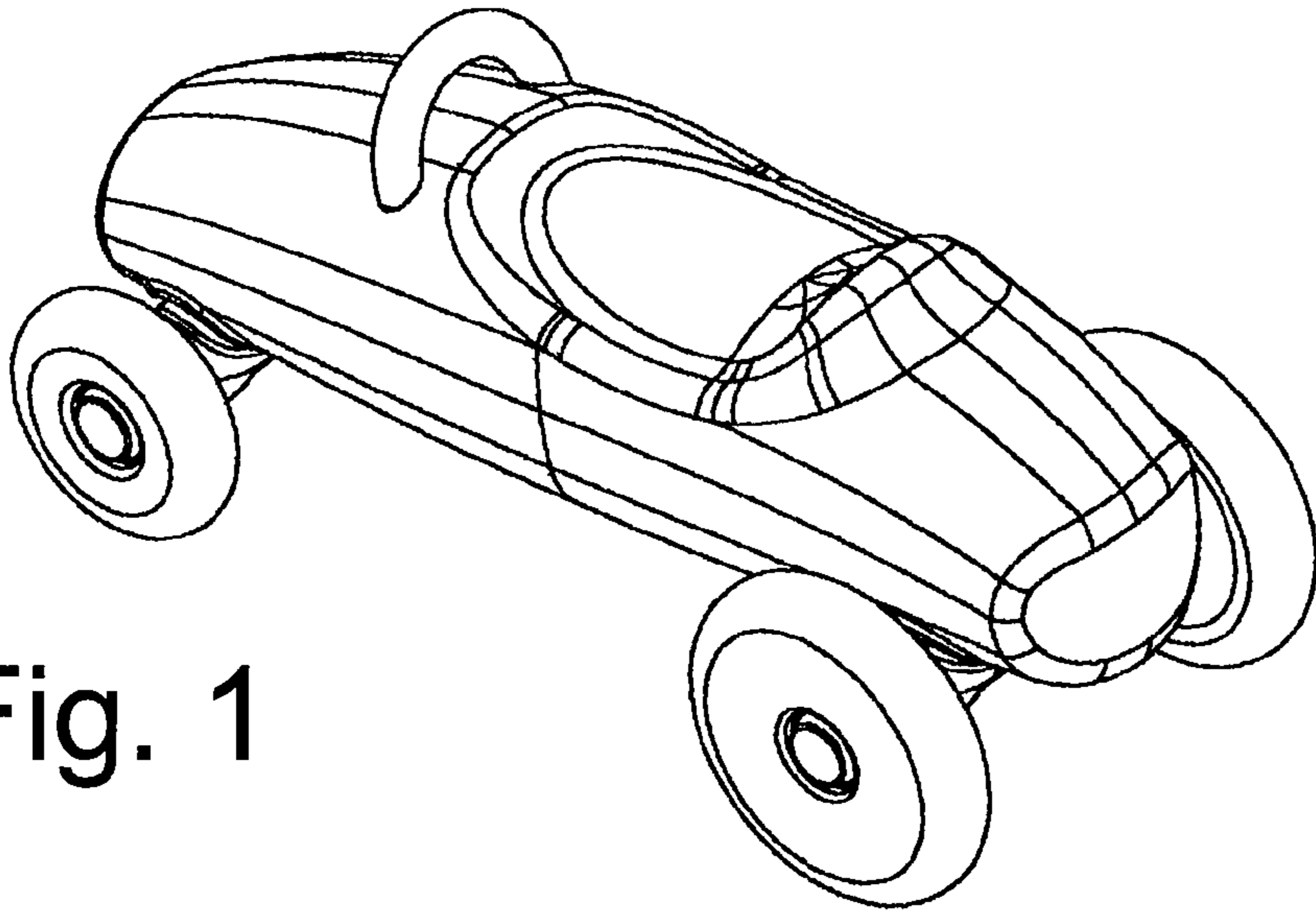


Fig. 1

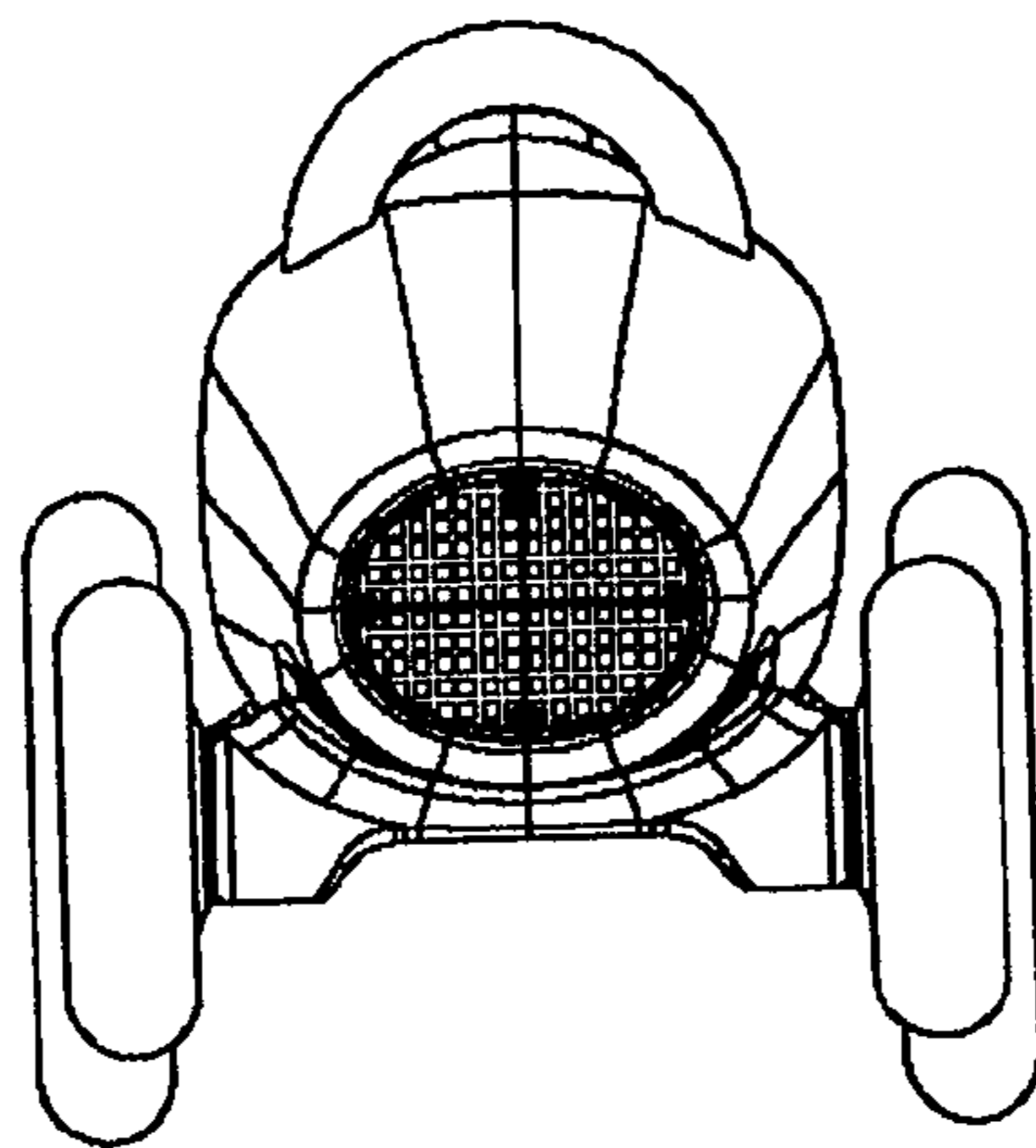


Fig. 2

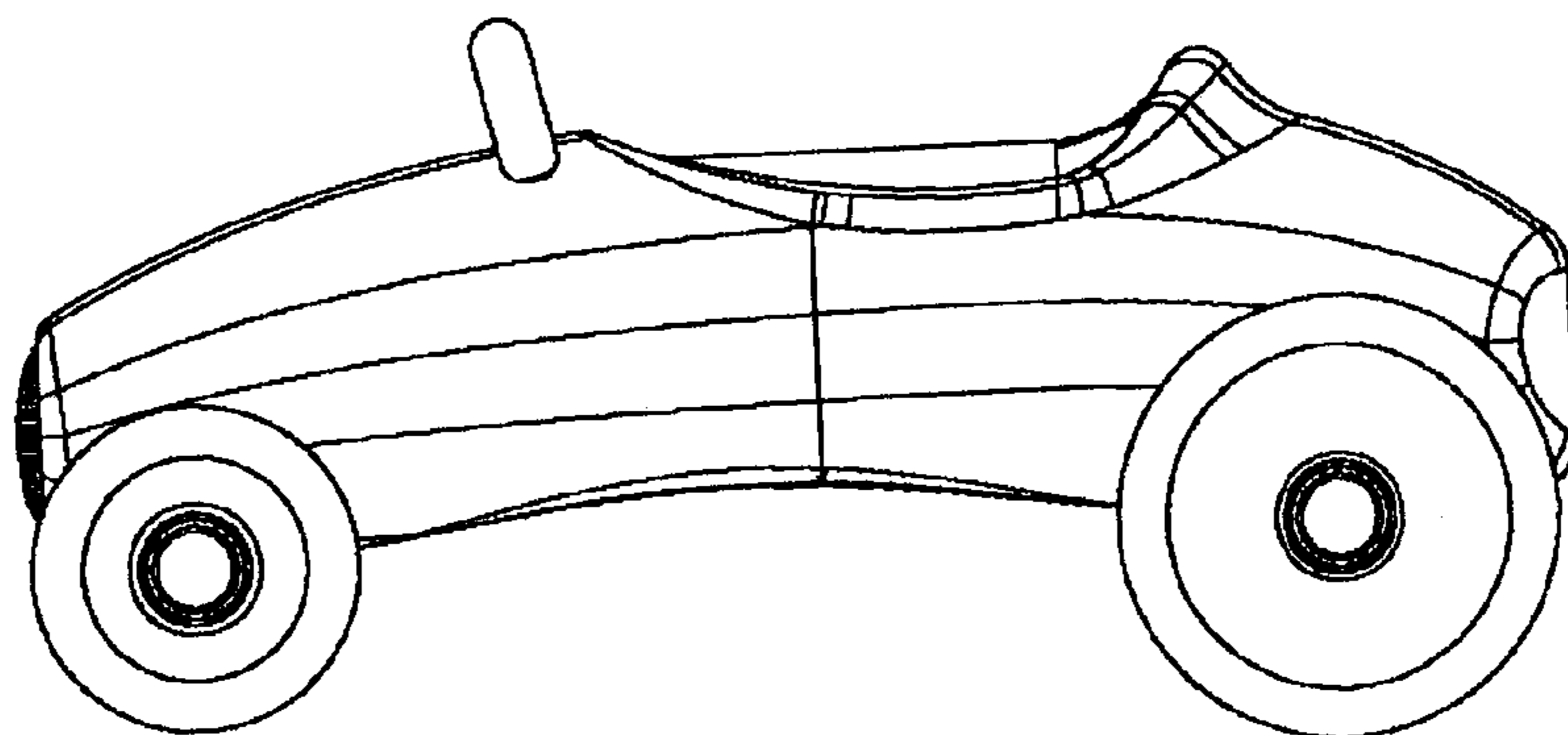


Fig. 3

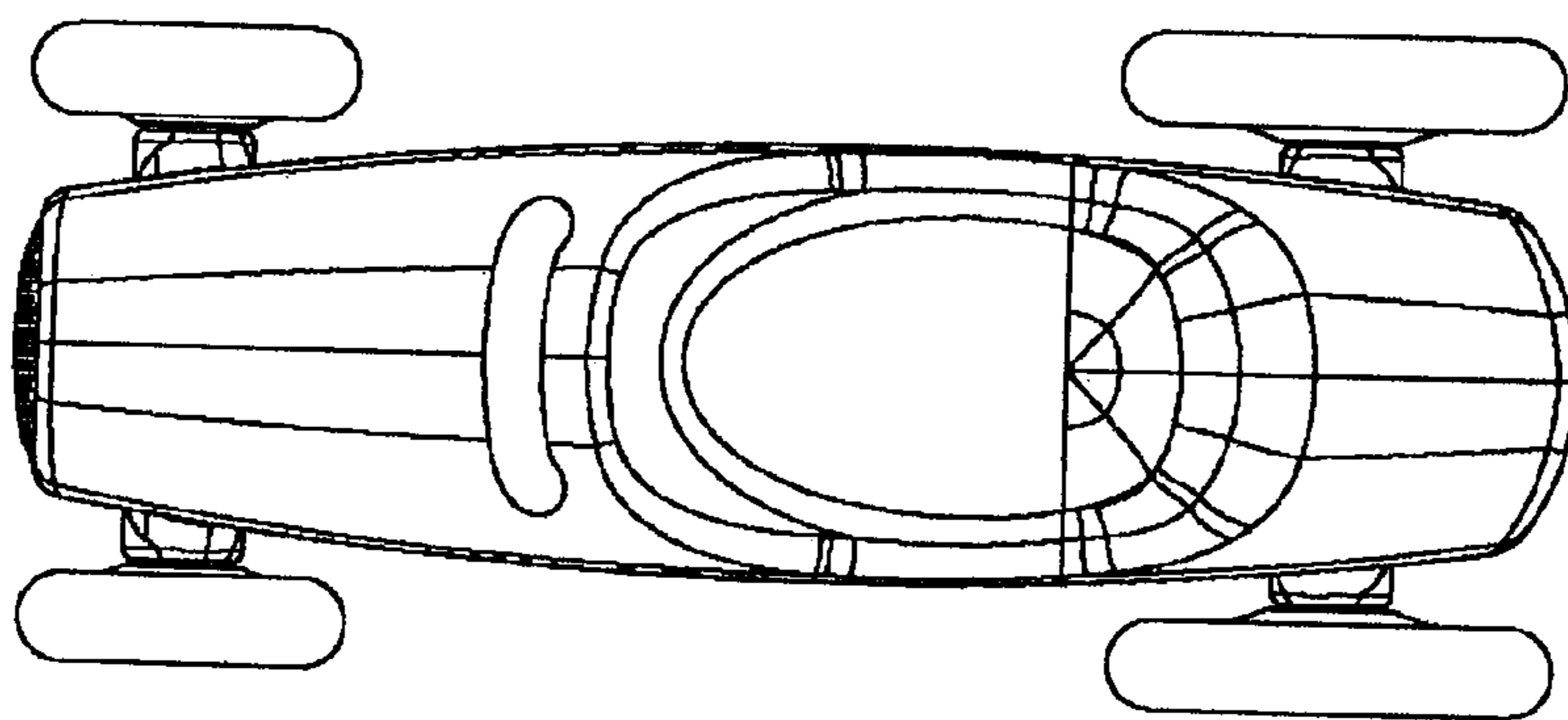


Fig. 4

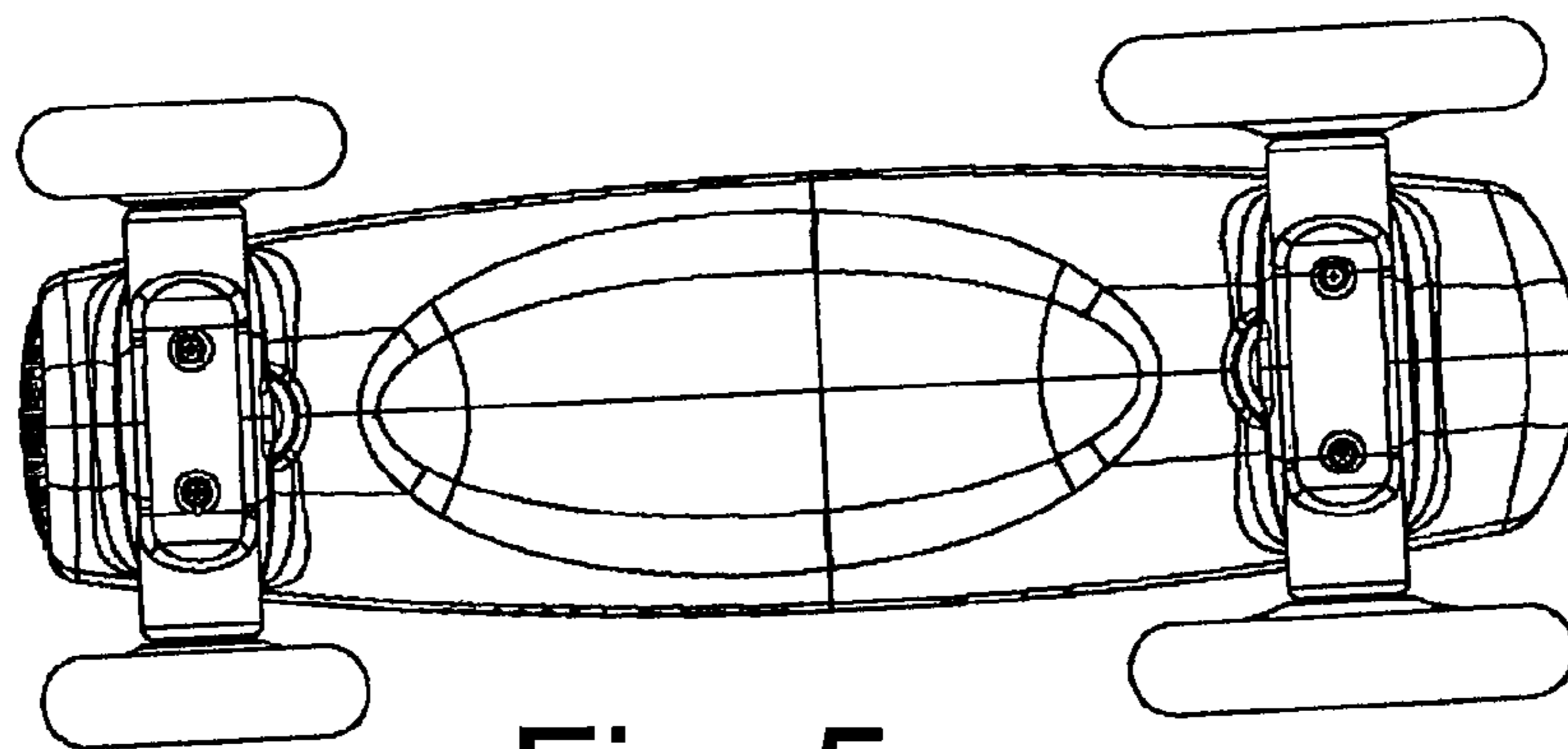


Fig. 5

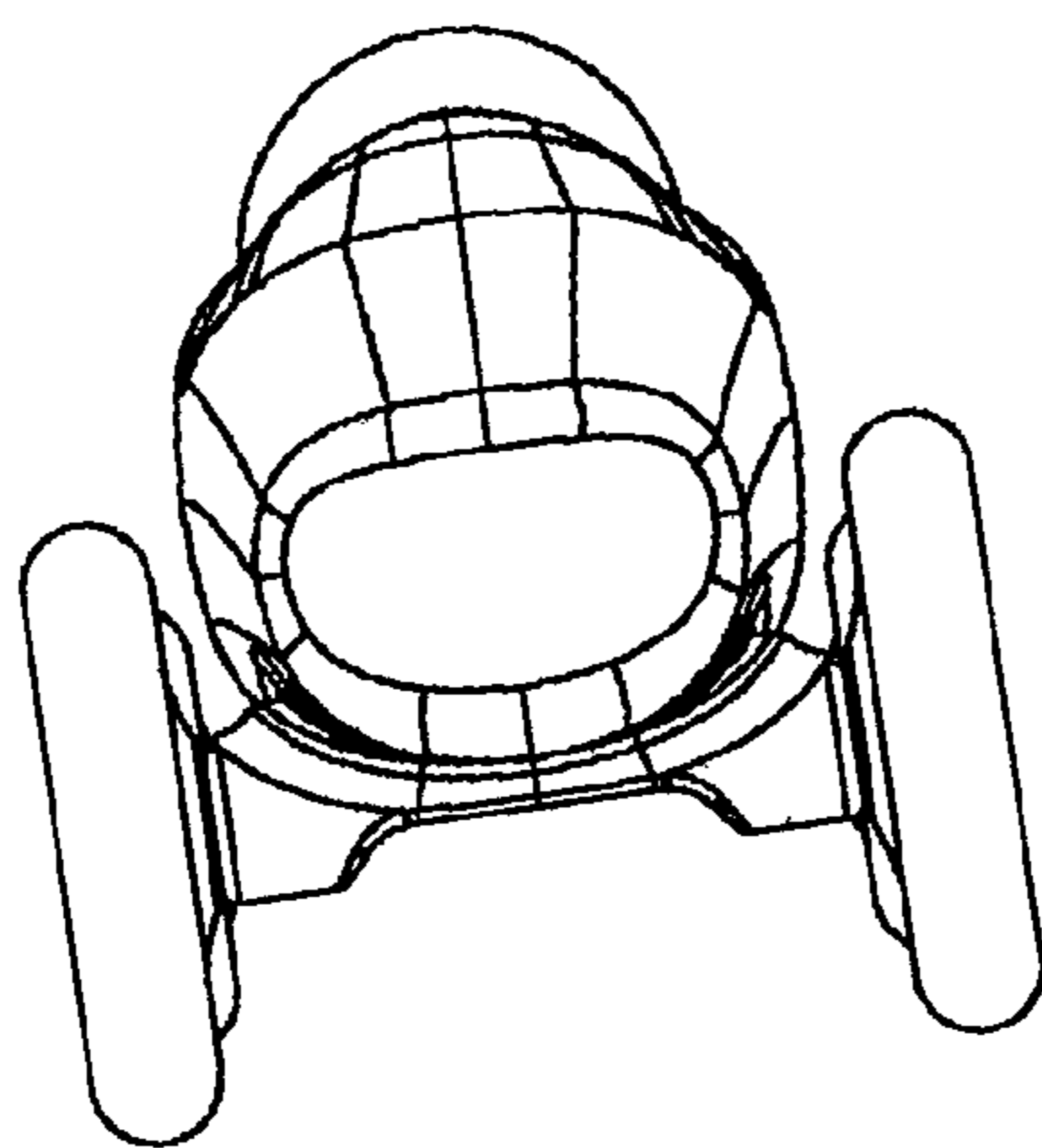


Fig. 6