



US00D620535S

(12) **United States Design Patent**
Thomas

(10) **Patent No.:** **US D620,535 S**
(45) **Date of Patent:** **** Jul. 27, 2010**

(54) **VIDEO GAME JOYSTICK COVER**

(76) Inventor: **Phillip M. Thomas**, 5079 Royal Mills Court, Mississauga, ON (CA) L5M 4X9

(**) Term: **14 Years**

(21) Appl. No.: **29/343,796**

(22) Filed: **Sep. 18, 2009**

(51) **LOC (9) Cl.** **21-01**

(52) **U.S. Cl.** **D21/333**

(58) **Field of Classification Search** D21/324,
D21/332, 333; D14/440, 401, 412-416,
D14/432, 433, 454; 273/148 B; 463/37,
463/38, 46, 47; 345/156, 159-169; 200/5 A,
200/6 A, 5 R; 74/471 XY

See application file for complete search history.

(56) **References Cited**

U.S. PATENT DOCUMENTS

D291,203	S *	8/1987	Silver	D14/454
4,908,881	A	3/1990	Field		
5,046,739	A *	9/1991	Reichow	273/148 B
5,501,458	A *	3/1996	Mallory	273/148 B
5,517,692	A	5/1996	Wunderlich-Kehm		
6,099,934	A *	8/2000	Held	428/100
6,146,348	A	11/2000	Slautterback		
6,256,015	B1 *	7/2001	Adler	345/163
6,459,420	B1	10/2002	Harris		
6,557,853	B2 *	5/2003	Huettlinger	273/148 B
6,865,748	B2	3/2005	Young		

6,932,341	B1 *	8/2005	Kenyon	273/148 B
D521,567	S	5/2006	Svendsen et al.		
7,167,159	B2	1/2007	Bailey		
D540,395	S	4/2007	Bailey		
D540,881	S *	4/2007	Waugh et al.	D21/333
D587,717	S *	3/2009	Harris	D14/454

* cited by examiner

Primary Examiner—Prabhakar Deshmukh

(74) *Attorney, Agent, or Firm*—Crossley Patent Law; Mark A. Crossley

(57) **CLAIM**

The ornamental design for a video game joystick cover, as shown and described.

DESCRIPTION

FIG. 1 is a front elevation view of a video game joystick cover showing my new design, the opposite side being a mirror image of the shown;

FIG. 2 is a left elevation view thereof;

FIG. 3 is a right elevation view thereof;

FIG. 4 is a top plan view thereof;

FIG. 5 is a bottom plan view thereof; and,

FIG. 6 is a perspective view thereof, shown in its environmental use.

The broken lines in the drawings depict environmental subject matter only and form no part of the claimed design.

1 Claim, 4 Drawing Sheets

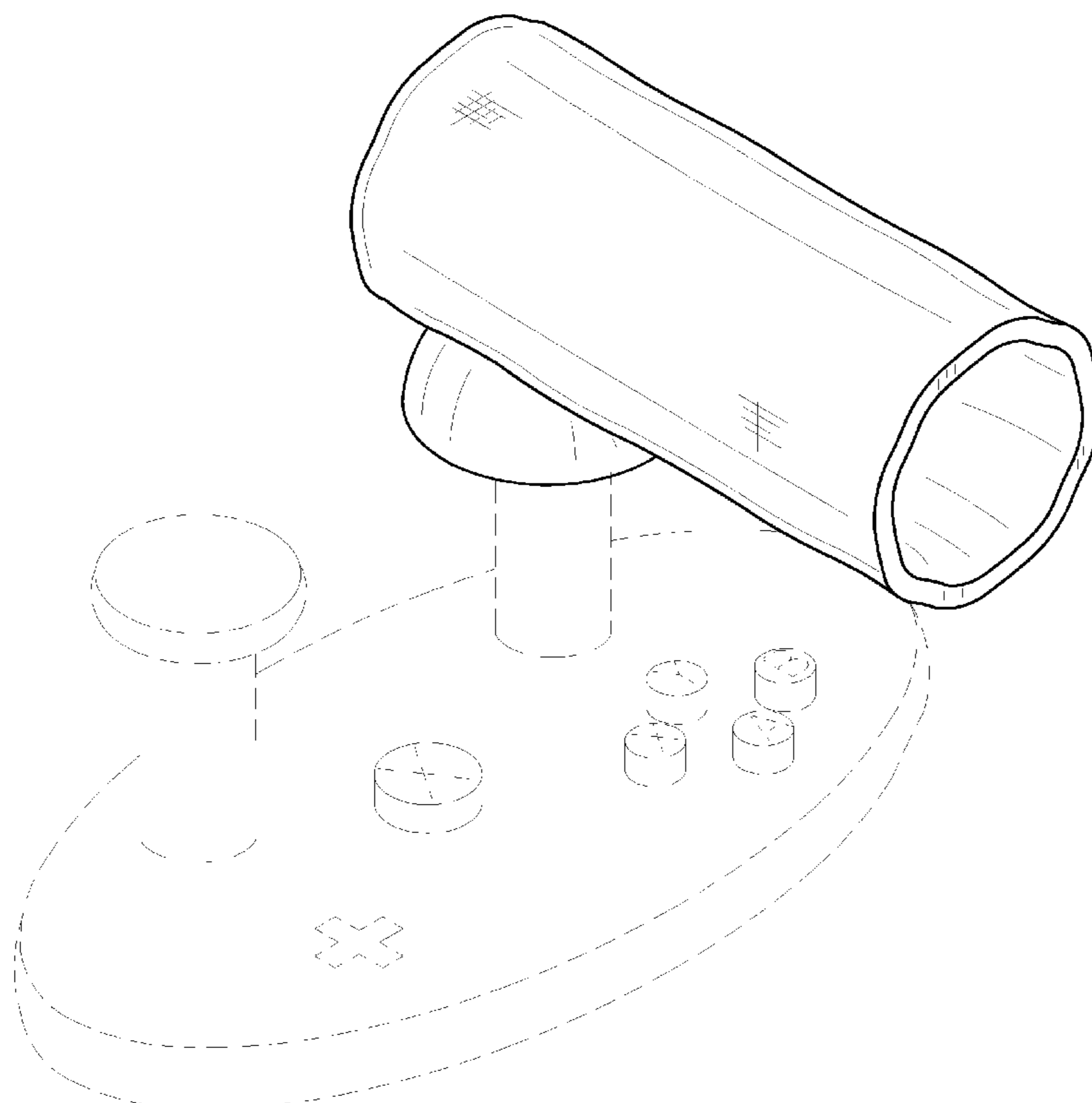




FIG. 1

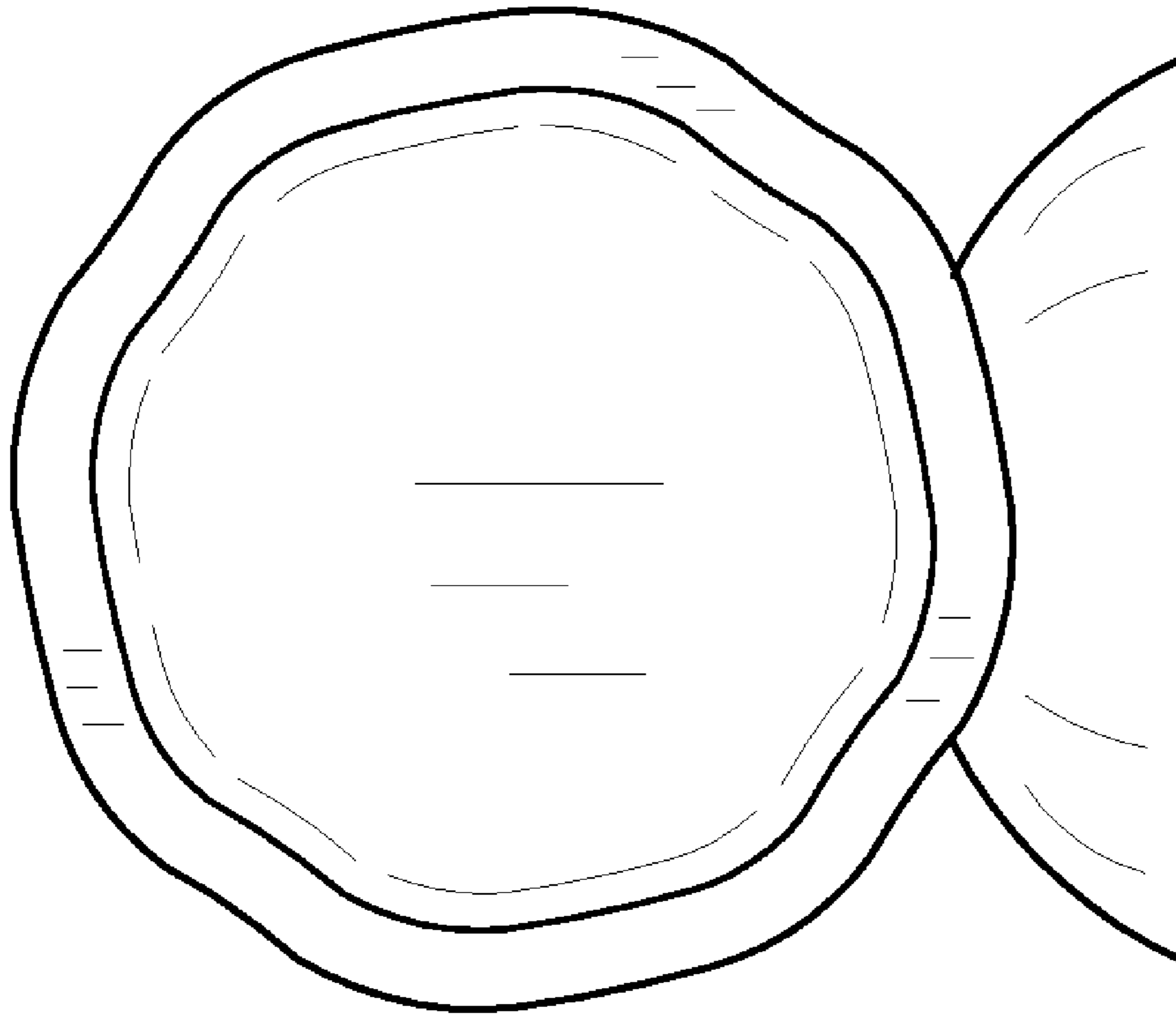


FIG. 2

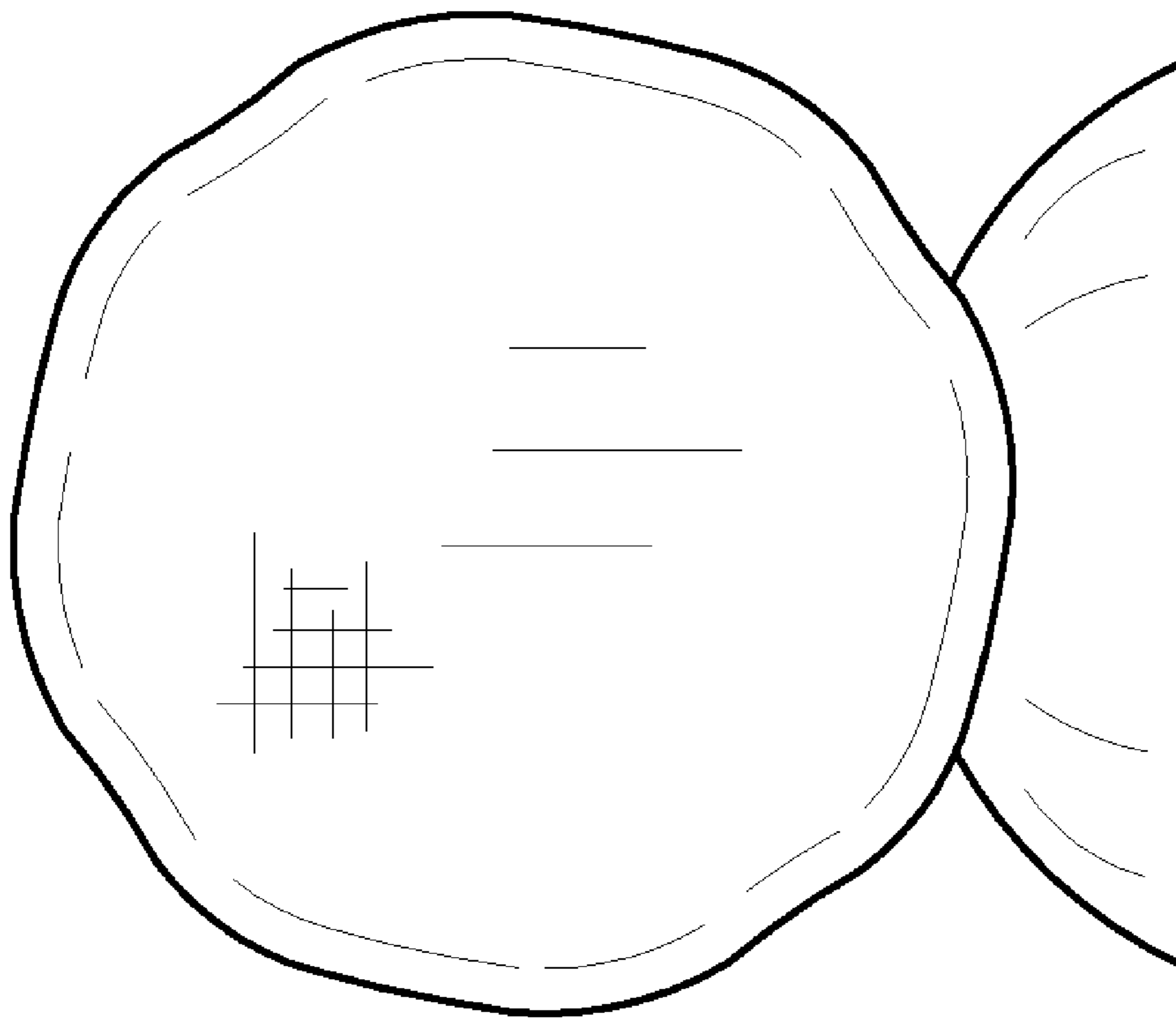


FIG. 3

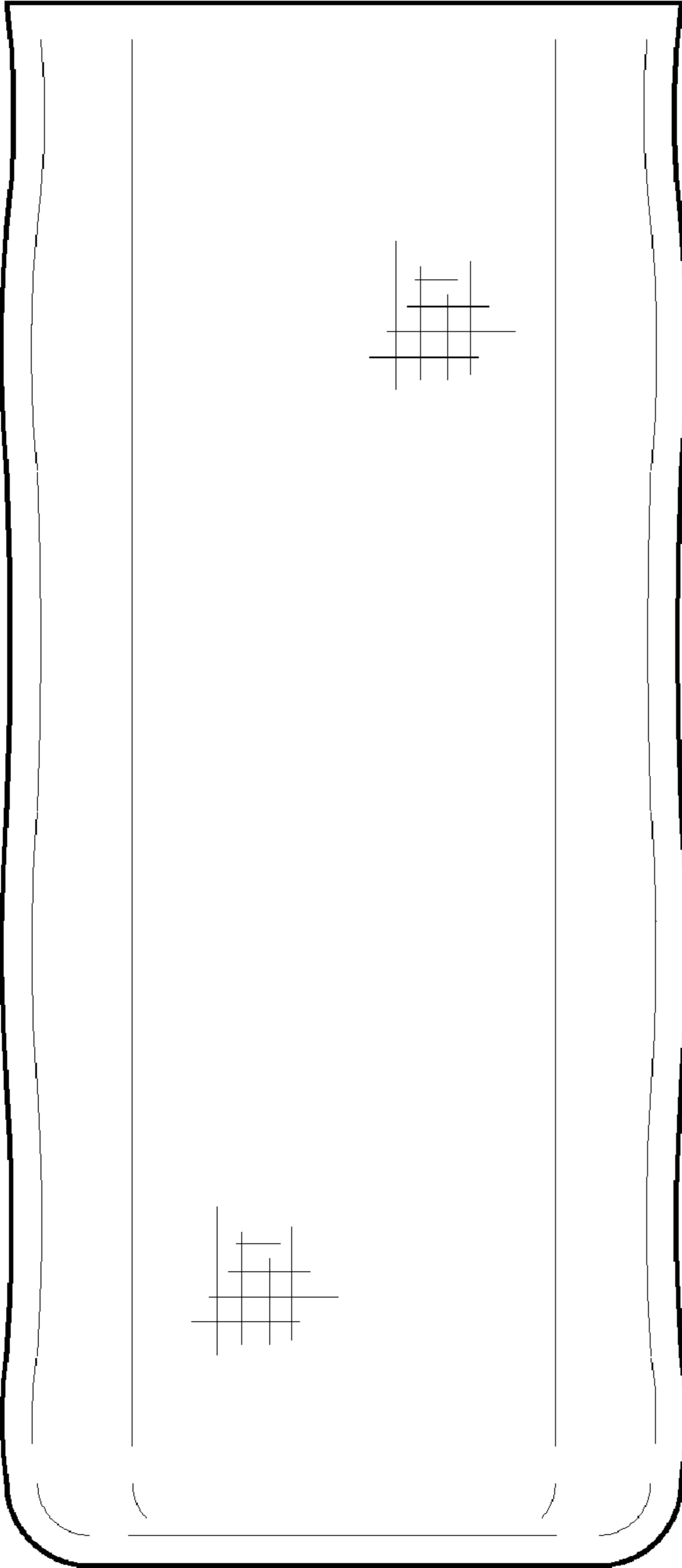


FIG. 4

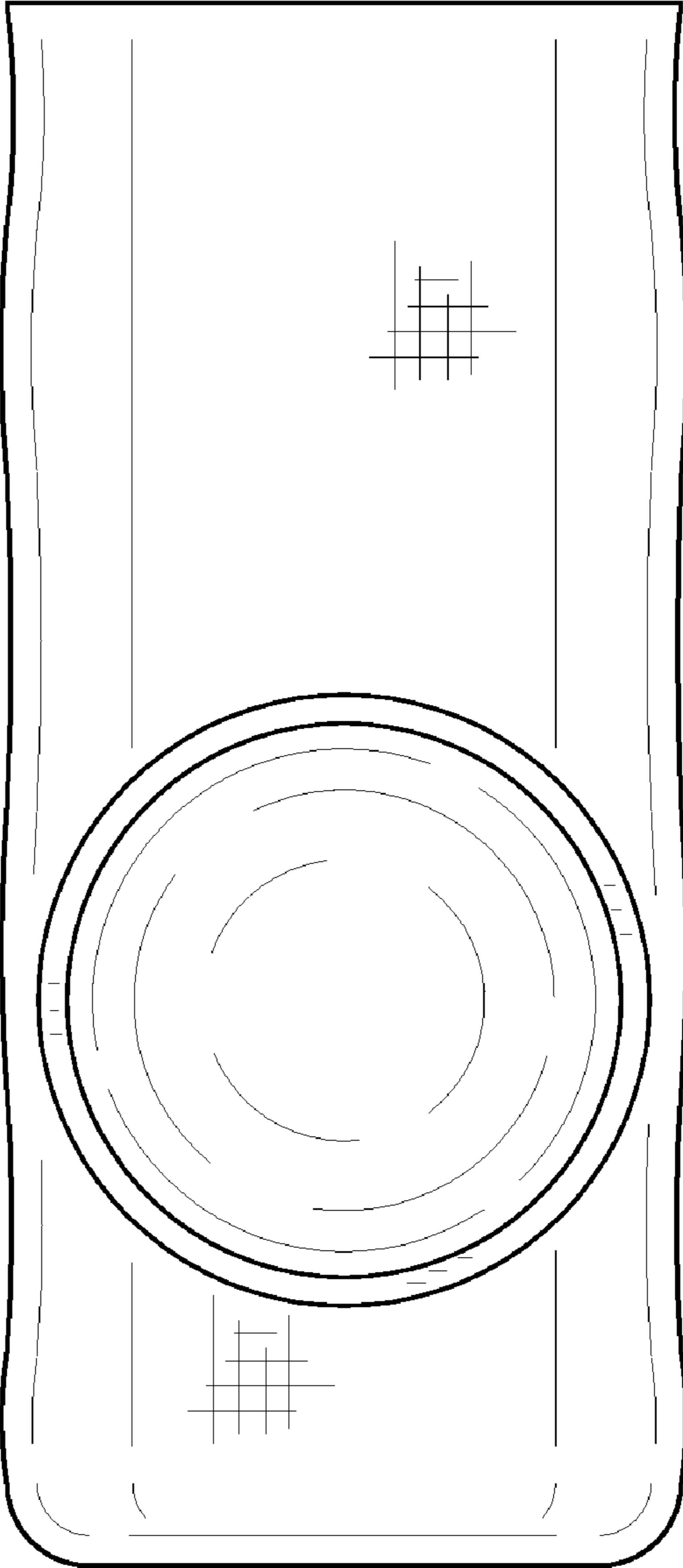


FIG. 5

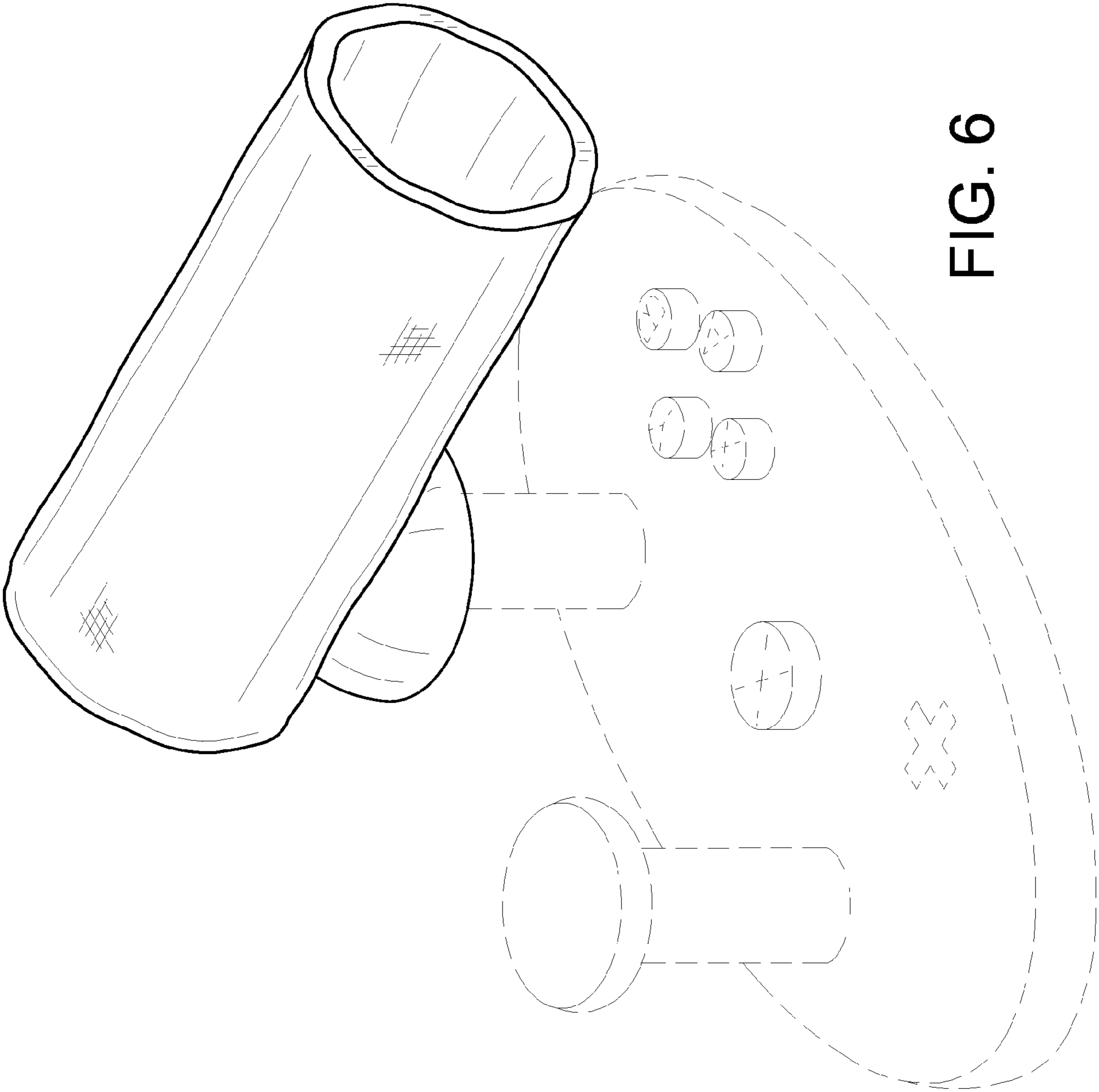


FIG. 6