



US00D620528S

(12) **United States Design Patent**  
**Suzuki**

(10) **Patent No.:** **US D620,528 S**  
(45) **Date of Patent:** **\*\* Jul. 27, 2010**

- (54) **CORRECTION TAPE DISPENSER**
- (75) Inventor: **Kazuhiko Suzuki**, Kanagawa (JP)
- (73) Assignee: **Tombow Pencil Co., Ltd.**, Tokyo (JP)
- (\*\*) Term: **14 Years**
- (21) Appl. No.: **29/316,272**
- (22) Filed: **Sep. 9, 2009**
- (30) **Foreign Application Priority Data**  
Mar. 13, 2009 (JP) ..... 2009-005620
- (51) **LOC (9) Cl.** ..... **19-02**
- (52) **U.S. Cl.** ..... **D19/69**
- (58) **Field of Classification Search** ..... D19/66,  
D19/67, 68, 69, 70; 156/523, 257, 540, 577;  
206/411; 225/6, 25, 39, 77; 242/588, 588.1,  
242/588.2, 588.3, 588.6, 5  
See application file for complete search history.

- D573,195 S \* 7/2008 Rushe et al. .... D19/69
- 7,438,489 B2 \* 10/2008 Fujii ..... 400/697
- 7,654,297 B2 \* 2/2010 Wu ..... 156/577
- 2009/0185848 A1 \* 7/2009 Ushijima ..... 400/697

\* cited by examiner

*Primary Examiner*—Cathron C Brooks  
*Assistant Examiner*—Austin Murphy  
(74) *Attorney, Agent, or Firm*—Edwards Angell Palmer & Dodge LLP; Scott D. Wofsy

(57) **CLAIM**

The ornamental design for a correction tape dispenser, as is shown and described.

**DESCRIPTION**

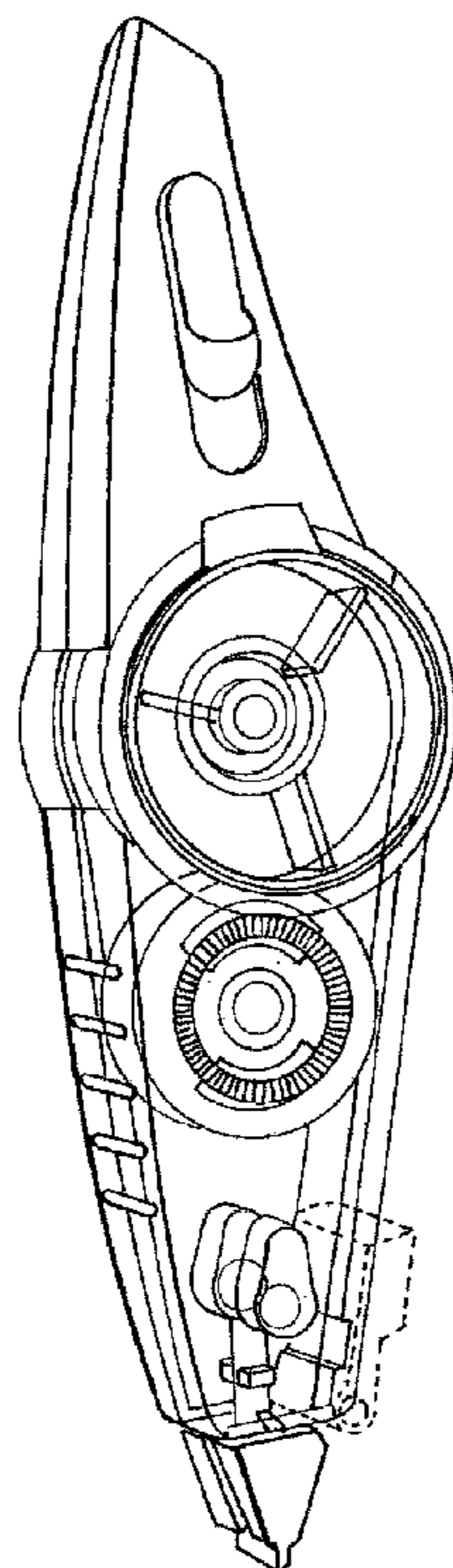
FIG. 1 is a perspective view of the correction tape dispenser; FIG. 2 is a front view of the correction tape dispenser; FIG. 3 is a rear view of the correction tape dispenser; FIG. 4 is a right side view of the correction tape dispenser; FIG. 5 is a left side view of the correction tape dispenser; FIG. 6 is a top view of the correction tape dispenser; FIG. 7 is a bottom view of the correction tape dispenser; and, FIG. 8 is a front view of the correction tape dispenser showing the cover element as disclaimed and in a closed position. The broken lines shown in the drawings represent unclaimed portions of the correction tape dispenser and form no part of the claimed design.

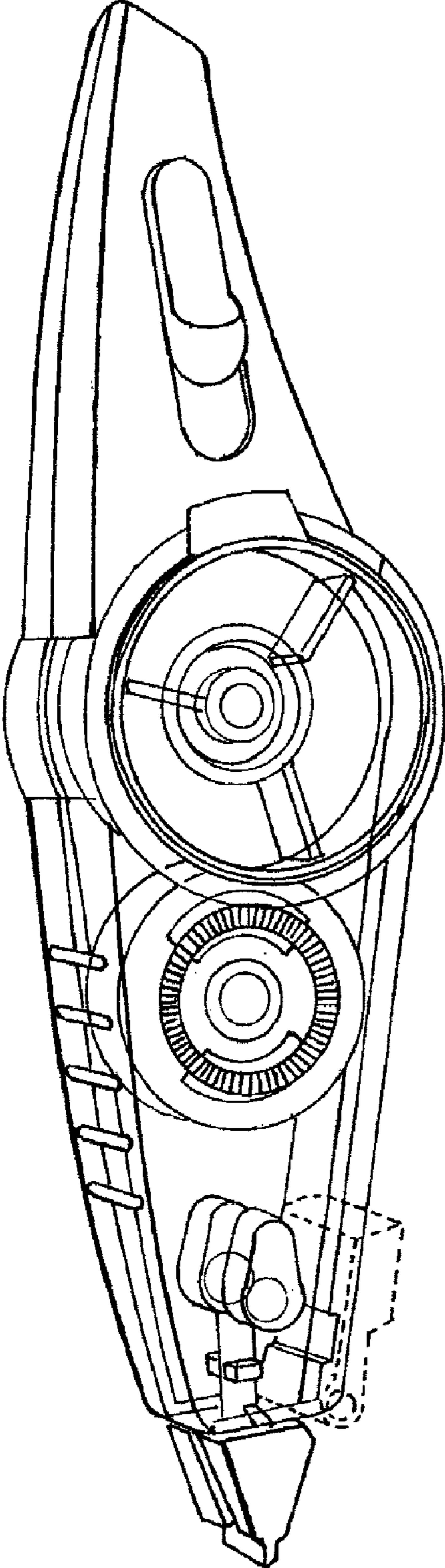
**1 Claim, 8 Drawing Sheets**

(56) **References Cited**

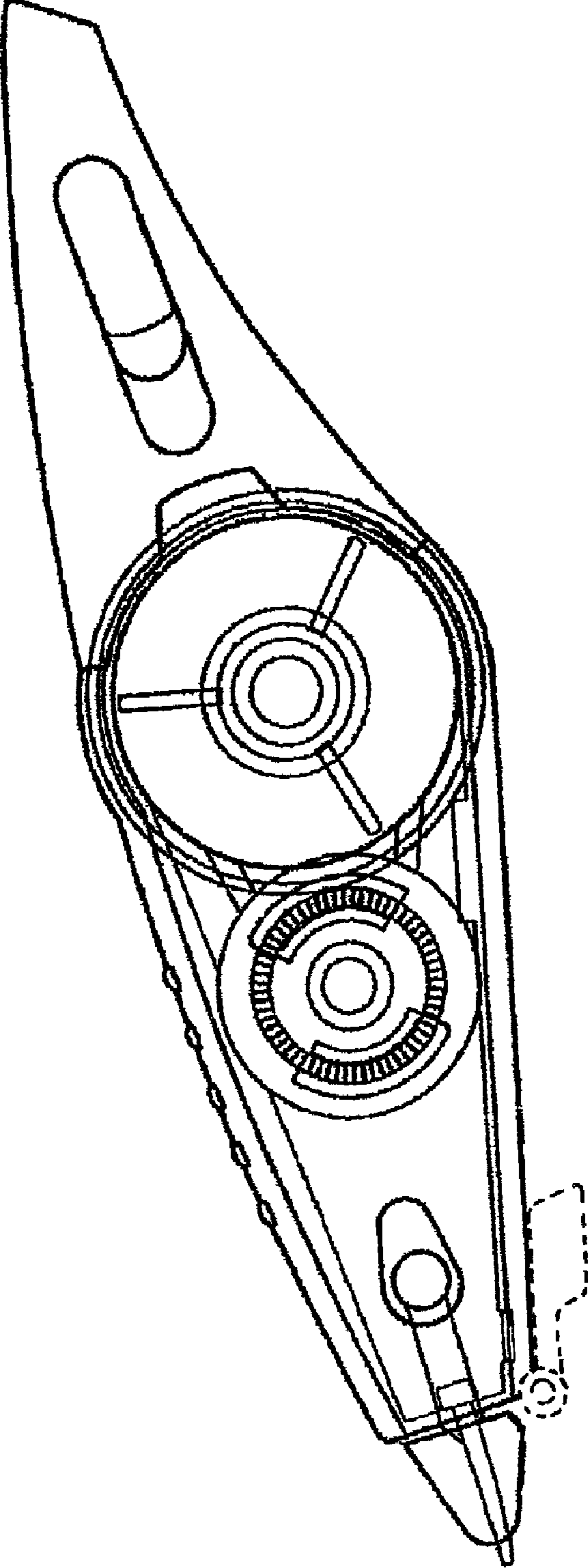
U.S. PATENT DOCUMENTS

- D378,532 S \* 3/1997 Suzuki ..... D19/69
- 5,772,840 A \* 6/1998 Morinaga ..... 156/540
- D467,617 S \* 12/2002 Soetewey ..... D19/69
- D475,747 S \* 6/2003 Ono ..... D19/69
- D492,352 S \* 6/2004 Lammers et al. .... D19/68
- D506,508 S \* 6/2005 Shimizu et al. .... D19/69
- D520,062 S \* 5/2006 Kimura ..... D19/69
- D532,457 S \* 11/2006 Chen ..... D19/69
- D571,403 S \* 6/2008 Rolion et al. .... D19/69

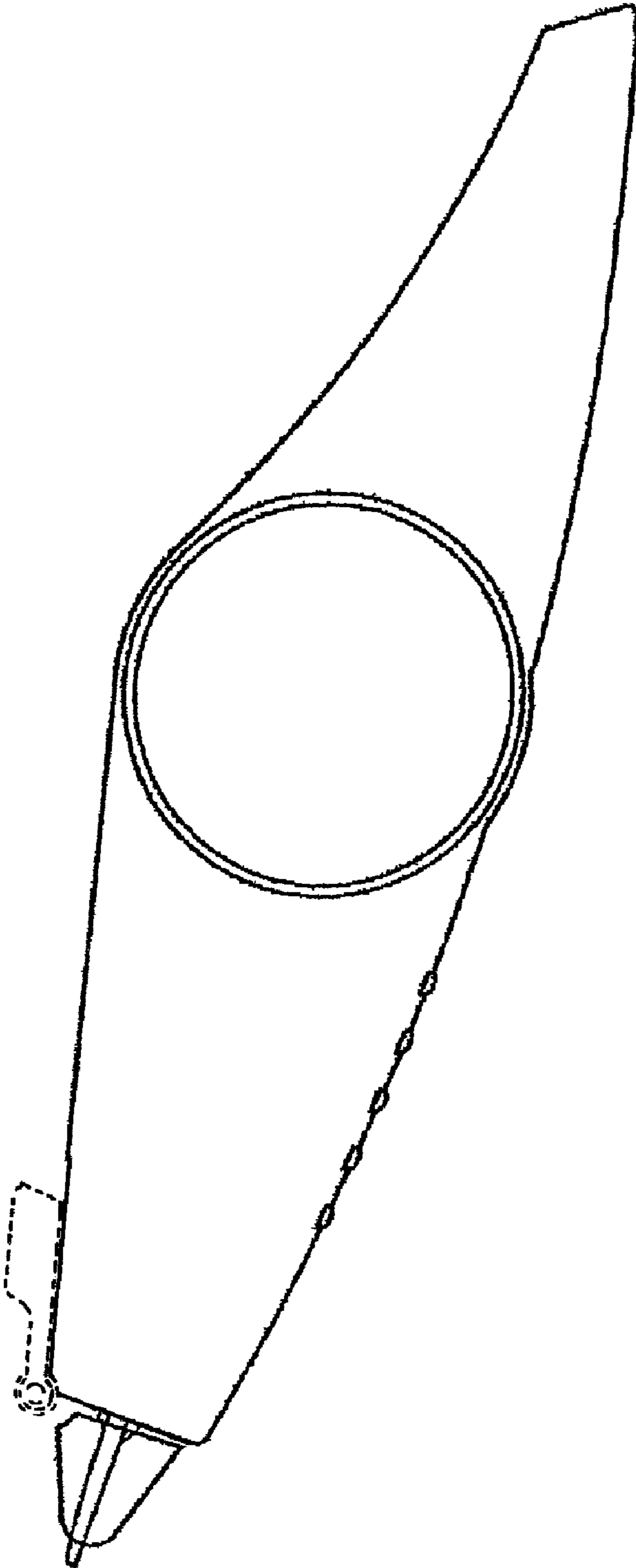




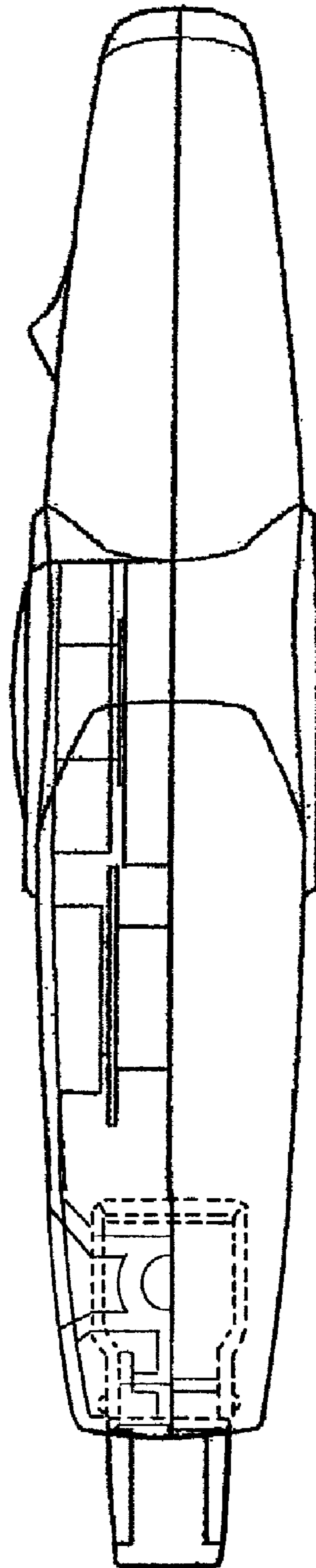
**Fig. 1**



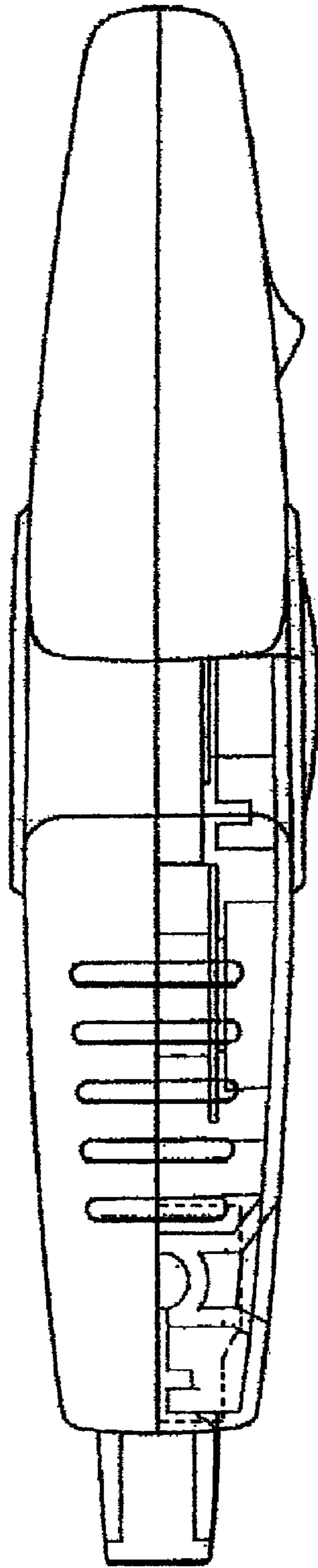
**Fig. 2**



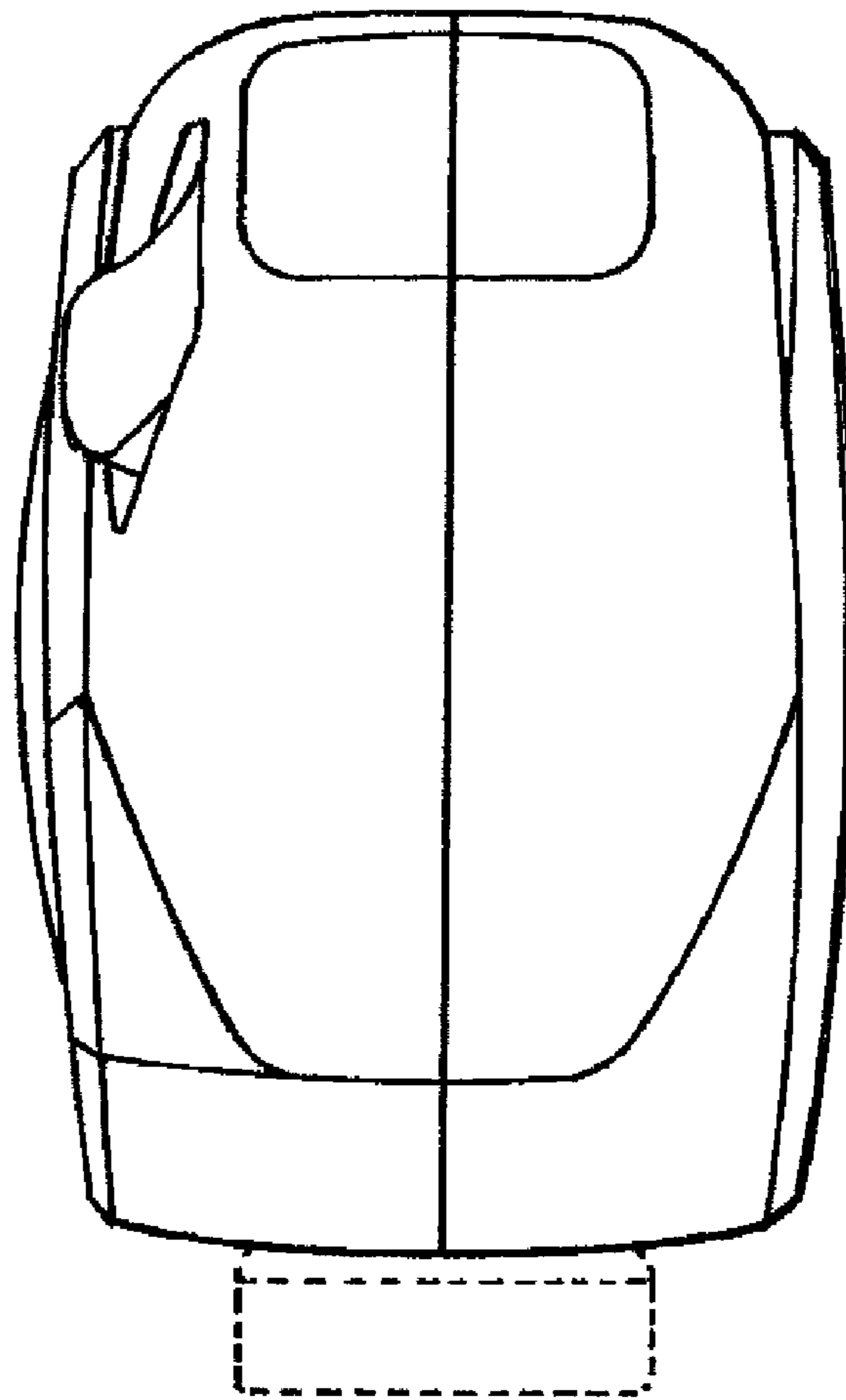
**Fig. 3**



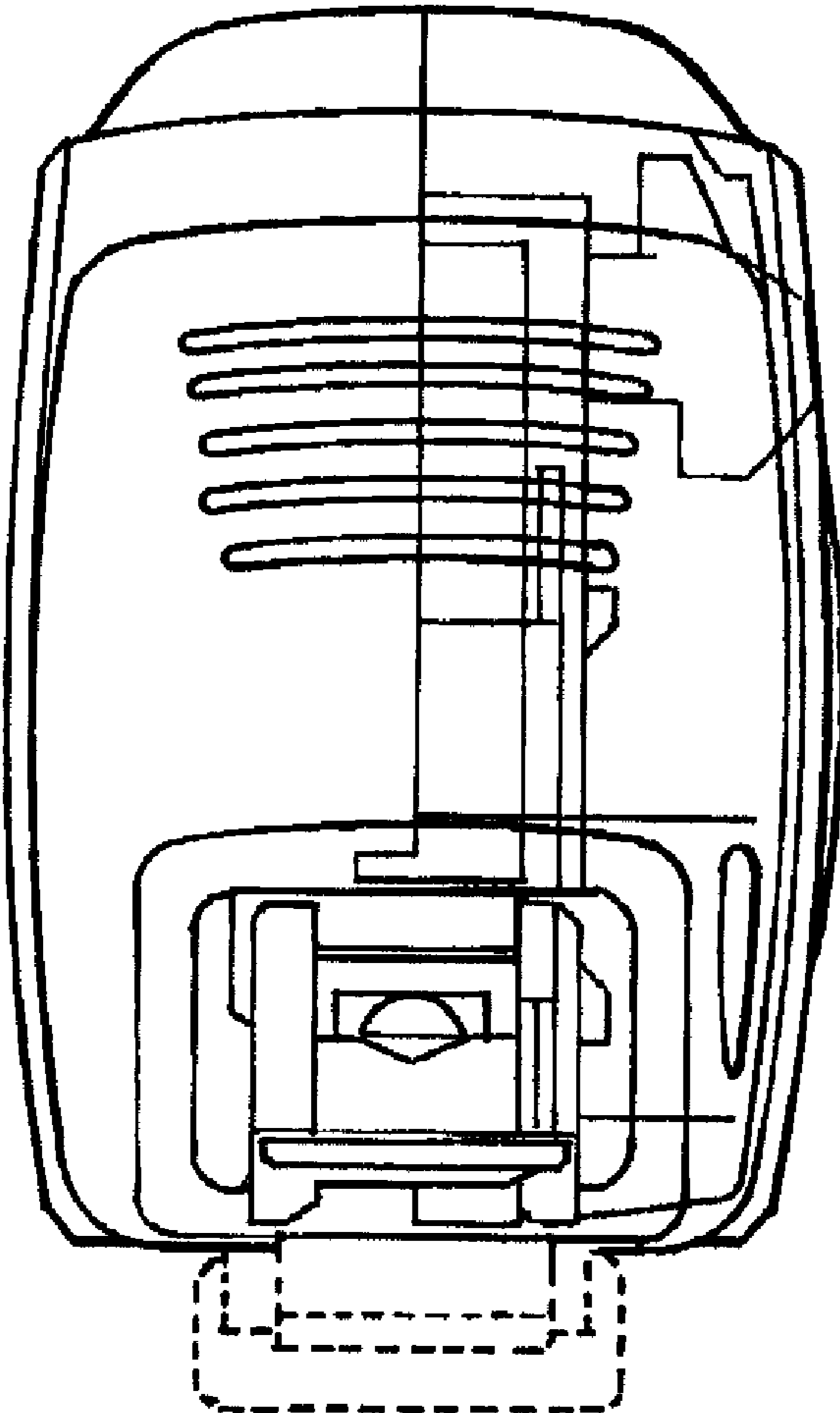
**Fig. 4**



***Fig. 5***

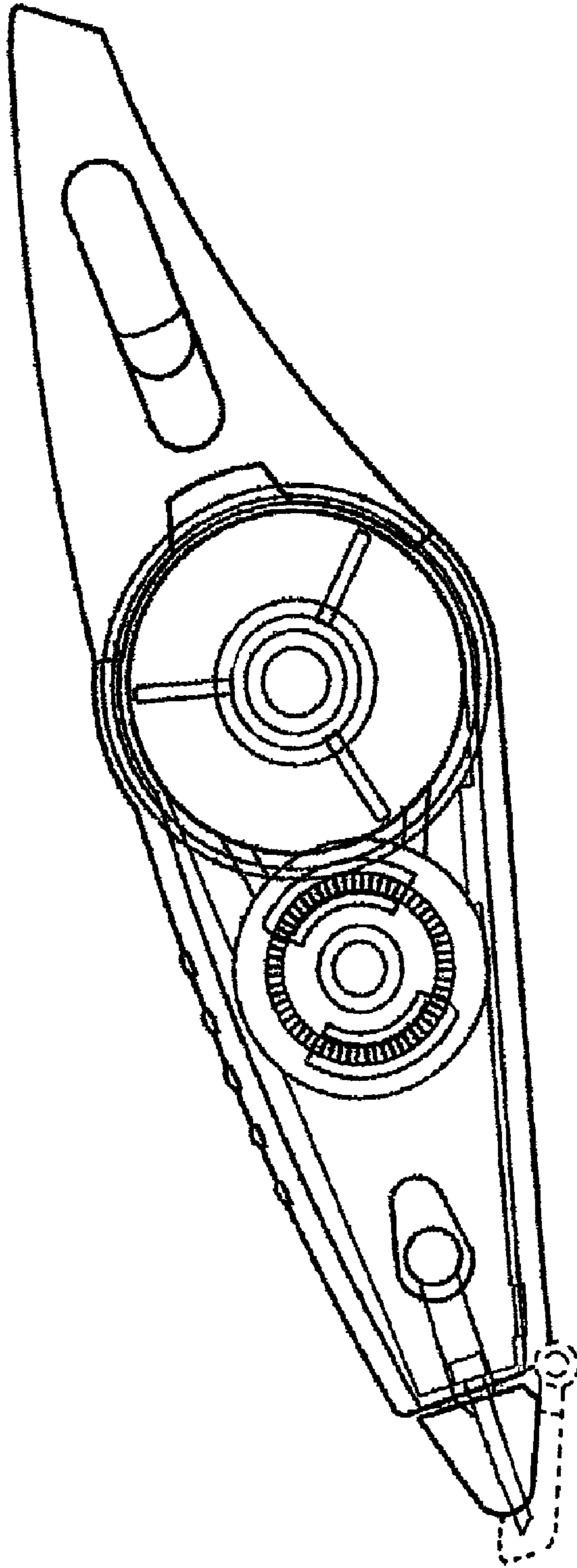


***Fig. 6***



**Fig. 7**





**Fig. 8**