



US00D620527S

(12) **United States Design Patent**
Suzuki

(10) **Patent No.:** **US D620,527 S**
(45) **Date of Patent:** **** Jul. 27, 2010**

(54) **CORRECTION TAPE DISPENSER**
(75) Inventor: **Kazuhiko Suzuki**, Kanagawa (JP)
(73) Assignee: **Tombow Pencil Co., Ltd.**, Tokyo (JP)
(**) Term: **14 Years**

D476,687 S * 7/2003 Katami D19/69
D494,221 S * 8/2004 Suzuki D19/69
D520,062 S * 5/2006 Kimura D19/69
D571,404 S * 6/2008 Tullney et al. D19/69
D574,431 S * 8/2008 Kouda D19/69
D577,771 S * 9/2008 Kouda D19/69
D595,774 S * 7/2009 Kouda D19/69

* cited by examiner

(21) Appl. No.: **29/316,270**

Primary Examiner—Cathron C Brooks

(22) Filed: **Sep. 9, 2009**

Assistant Examiner—Austin Murphy

(30) **Foreign Application Priority Data**

(74) *Attorney, Agent, or Firm*—Edwards Angell Palmer & Dodge LLP; Scott D. Wofsy

Mar. 13, 2009 (JP) 2009-005622

(57) **CLAIM**

(51) **LOC (9) Cl.** **19-02**
(52) **U.S. Cl.** **D19/69**
(58) **Field of Classification Search** D19/66,
D19/67, 68, 69, 70; 156/523, 257, 540, 577;
206/411; 225/6, 25, 39, 77; 242/588, 588.1,
242/588.2, 588.3, 588.6, 5
See application file for complete search history.

The ornamental design for a correction tape dispenser, as is shown and described.

DESCRIPTION

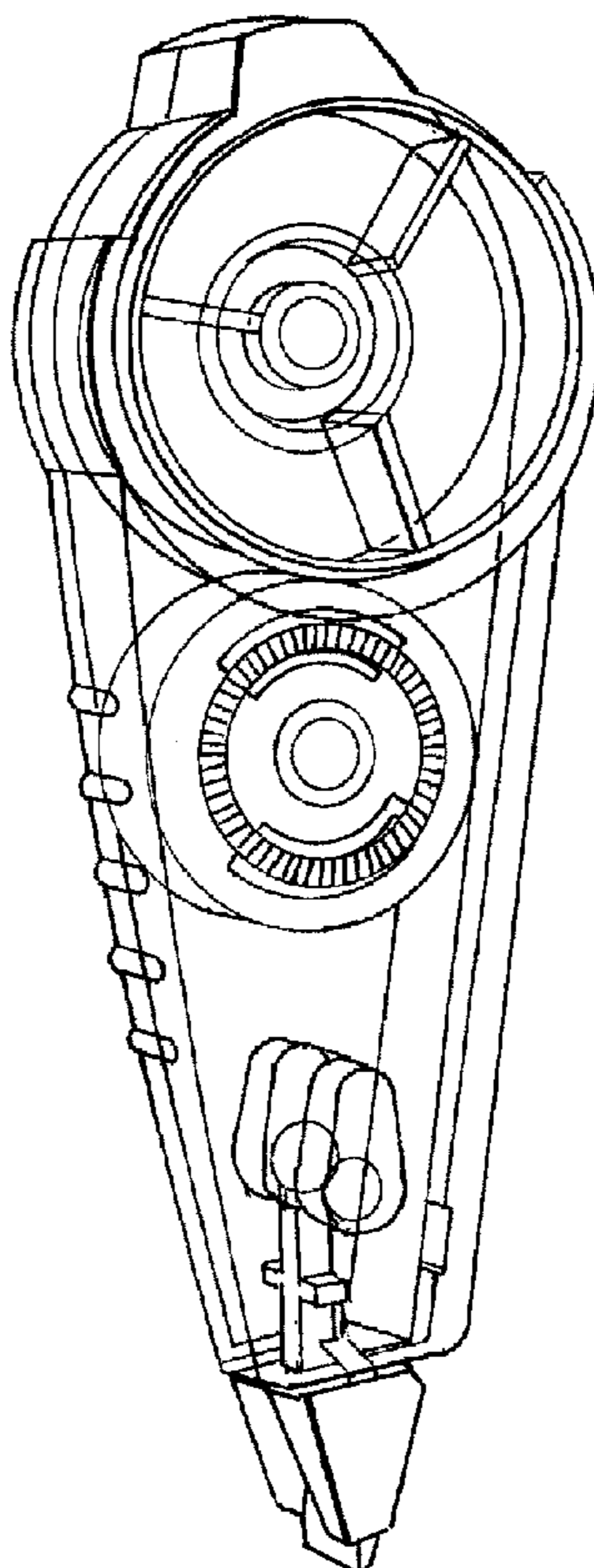
(56) **References Cited**

FIG. 1 is a perspective view of the correction tape dispenser;
FIG. 2 is a front view of the correction tape dispenser;
FIG. 3 is a rear view of the correction tape dispenser;
FIG. 4 is a right side view of the correction tape dispenser;
FIG. 5 is a left side view of the correction tape dispenser;
FIG. 6 is a top view of the correction tape dispenser; and,
FIG. 7 is a bottom view of the correction tape dispenser.

U.S. PATENT DOCUMENTS

D378,532 S * 3/1997 Suzuki D19/69
D424,116 S * 5/2000 You D19/69
D446,246 S * 8/2001 Kimura D19/69
D456,450 S * 4/2002 Kimura D19/69
D476,035 S * 6/2003 Katami D19/69

1 Claim, 7 Drawing Sheets



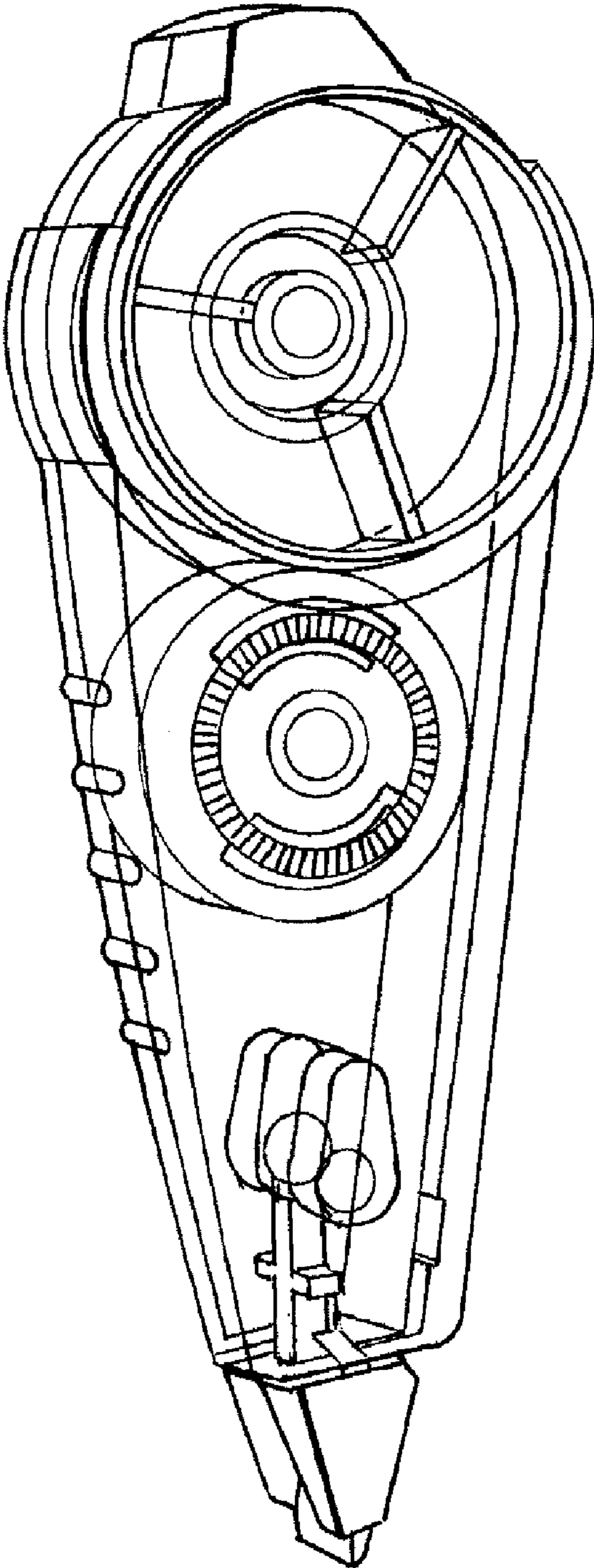


Fig. 1

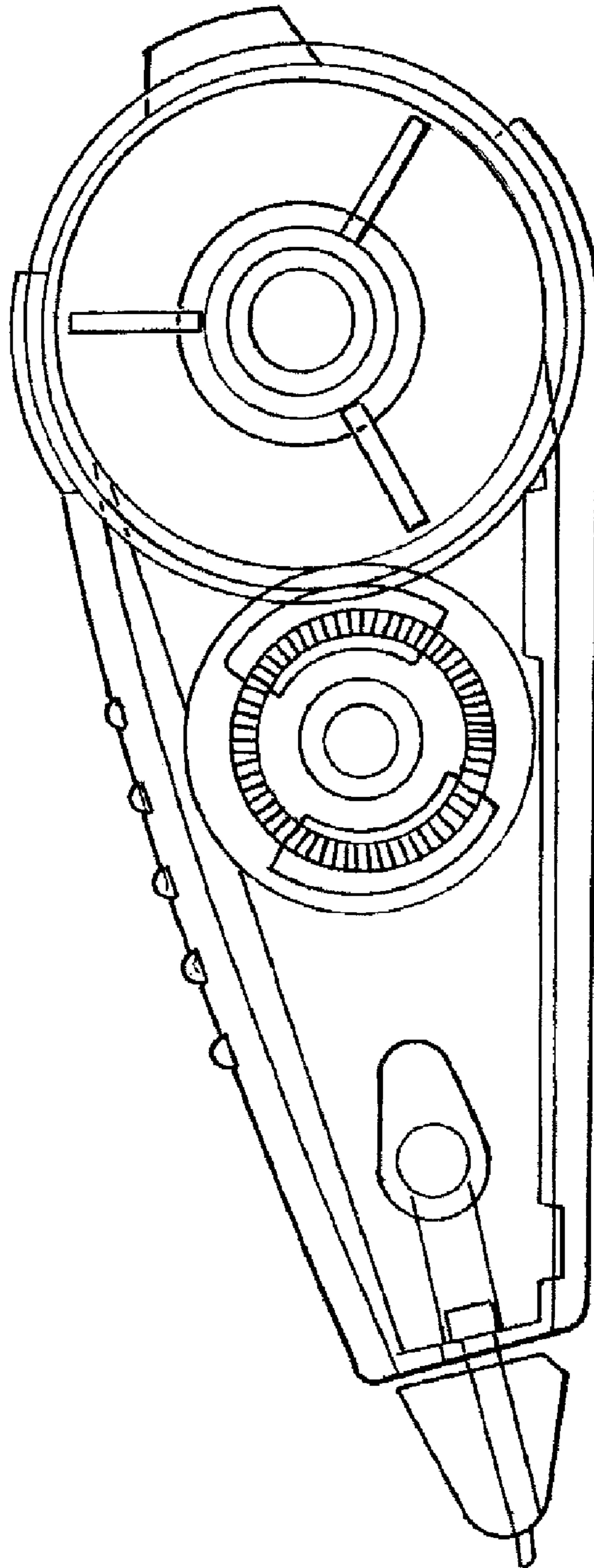


Fig. 2

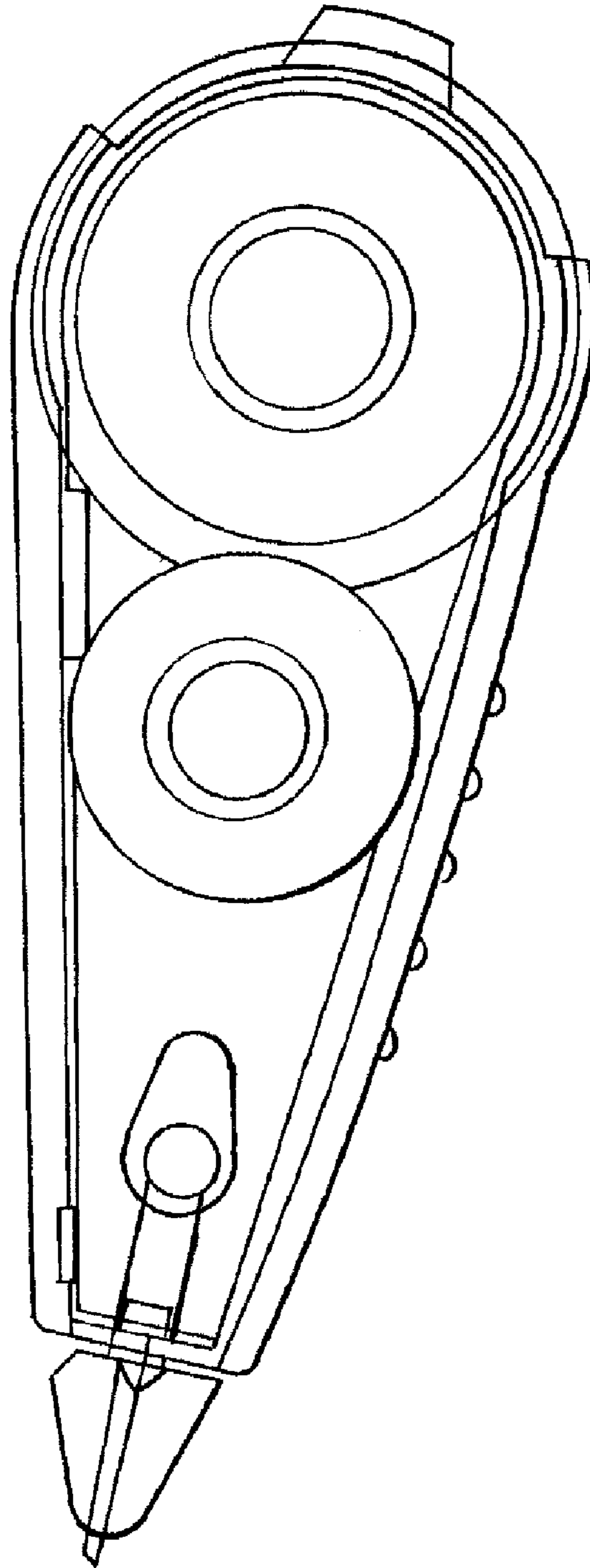


Fig. 3

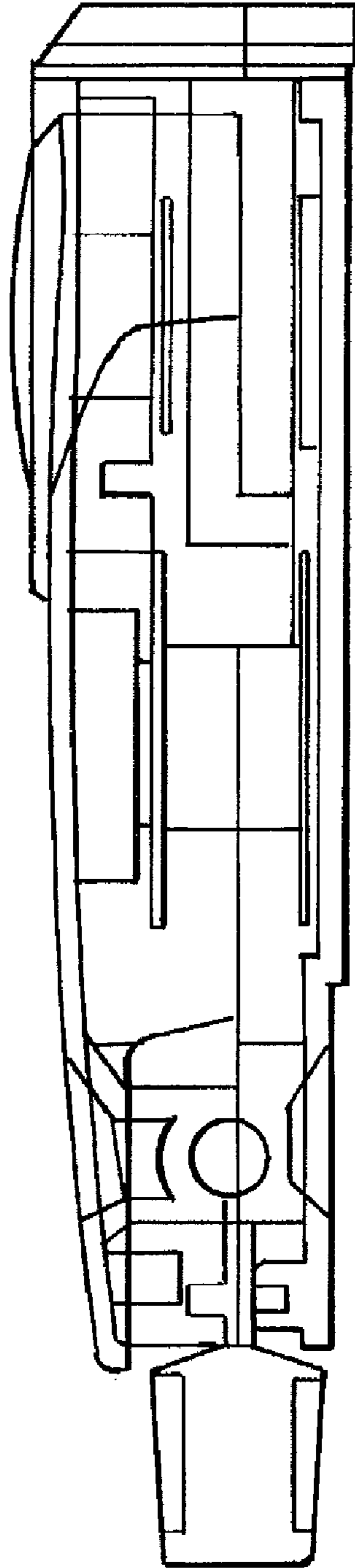


Fig. 4

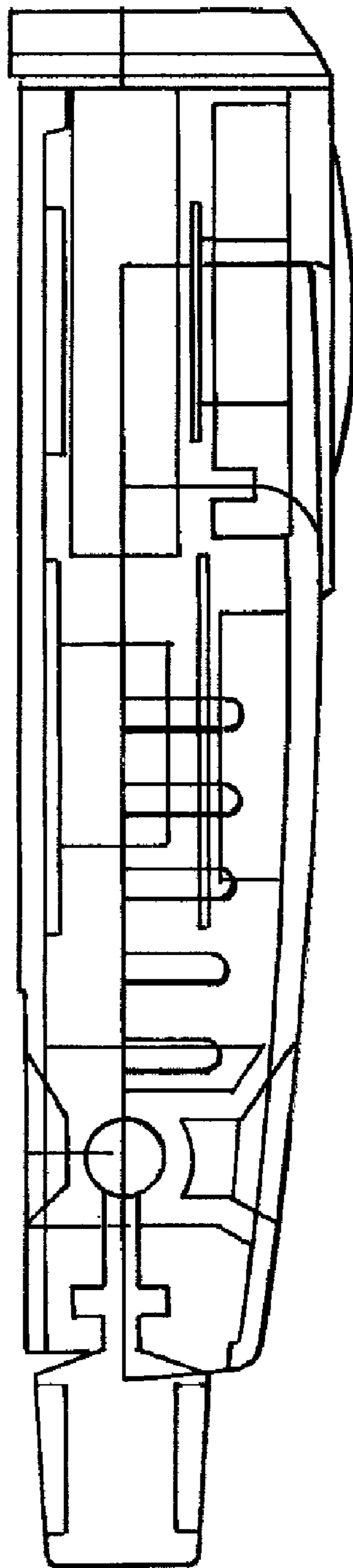


Fig. 5

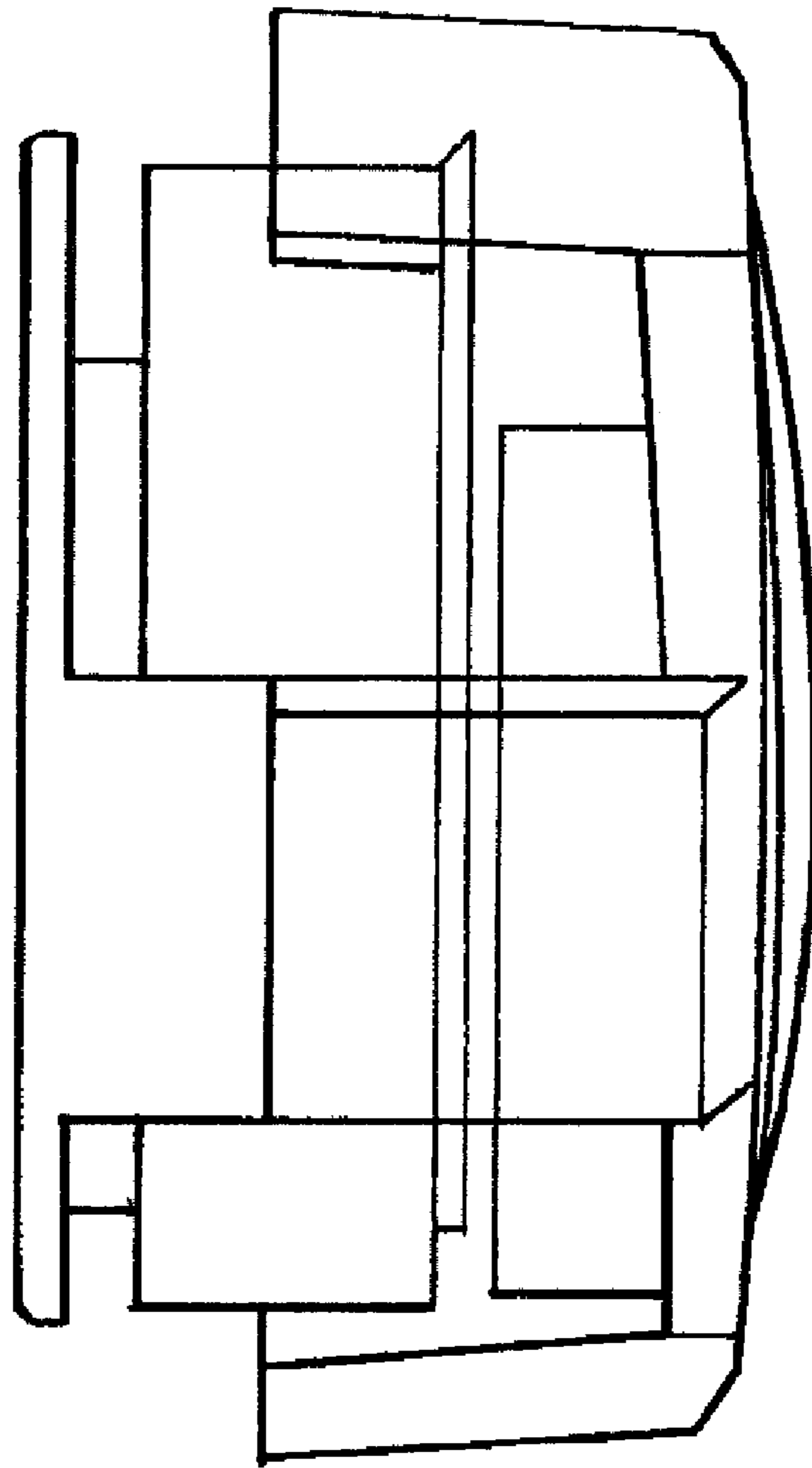


Fig. 6

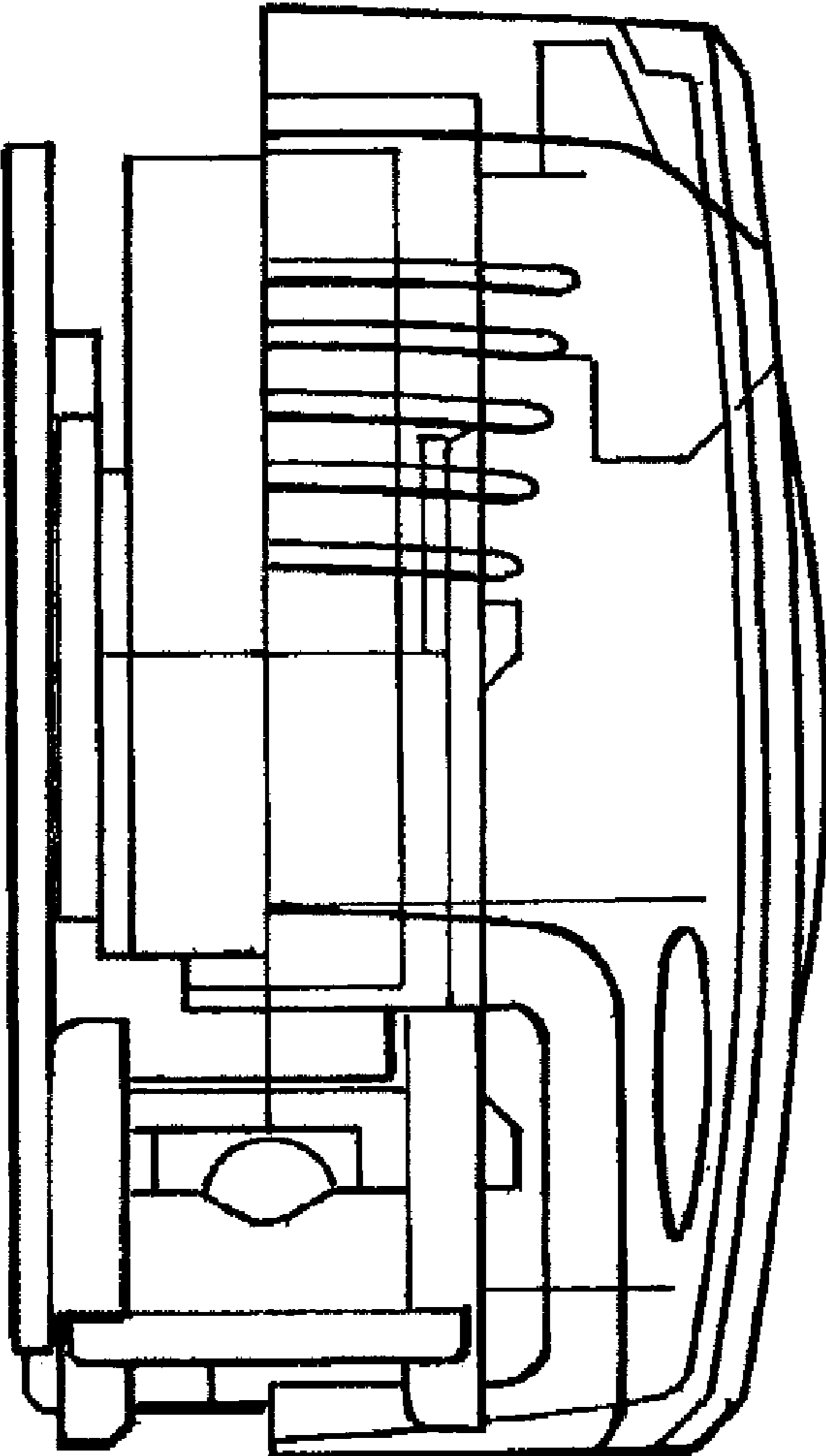


Fig. 7