



US00D620524S

(12) **United States Design Patent**
Shibata

(10) **Patent No.:** **US D620,524 S**

(45) **Date of Patent:** **** Jul. 27, 2010**

(54) **BALLPOINT PEN**

D564,025 S * 3/2008 Oas D19/49

(75) Inventor: **Tomoaki Shibata**, Yokohama (JP)

OTHER PUBLICATIONS

(73) Assignee: **Pentel Kabushiki Kaisha** (JP)

Pentel RSVP RR Pen, as shown in Pentel 2009 Promotional Products Catalog, front cover, index, and p. 11 (of 48), dated Jan. 7, 2009 in hyperlink.*

(**) Term: **14 Years**

* cited by examiner

(21) Appl. No.: **29/314,013**

(22) Filed: **Feb. 26, 2009**

(30) **Foreign Application Priority Data**

Aug. 27, 2008 (JP) 2008-021946

Jan. 20, 2009 (JP) 2009-000961

Primary Examiner—Elizabeth A Albert
Assistant Examiner—Karen E Eldridge Powers
(74) *Attorney, Agent, or Firm*—Adams & Wilks

(51) **LOC (9) Cl.** **19-06**

(52) **U.S. Cl.** **D19/47**

(58) **Field of Classification Search** D19/35,
D19/36, 41, 42, 43, 44, 45, 46, 47, 48, 49,
D19/50, 51, 54, 55, 56, 57; 24/11 F, 11 P,
24/11 R; 401/6, 52, 99, 100, 104, 105, 106,
401/107, 108, 109, 192, 195, 243, 244, 245,
401/246, 247

See application file for complete search history.

(57) **CLAIM**

The ornamental design for a ballpoint pen, as shown and described.

(56) **References Cited**

U.S. PATENT DOCUMENTS

- 4,371,278 A * 2/1983 Joo 401/195
- D324,238 S * 2/1992 Nitta D19/49
- D359,758 S * 6/1995 Inami D19/55
- D368,738 S * 4/1996 Osada et al. D19/51
- D418,163 S * 12/1999 Rosen D19/51
- D421,625 S * 3/2000 Oka D19/49
- D425,559 S * 5/2000 Beneyto D19/51
- D427,238 S * 6/2000 Beneyto D19/43
- D438,566 S * 3/2001 Nagel D19/51
- D443,642 S * 6/2001 Tsuchikura D19/36
- D444,499 S * 7/2001 Nakazawa D19/49
- D450,769 S * 11/2001 Nishida D19/49
- D451,545 S * 12/2001 Tsuchikura D19/36
- D451,547 S * 12/2001 Nishida D19/48
- D453,790 S * 2/2002 Tsuchikura D19/36
- D458,964 S * 6/2002 Nakazawa D19/48
- D490,852 S * 6/2004 Finney et al. D19/51
- 6,802,664 B2 * 10/2004 Vial et al. 401/6
- 7,311,457 B2 * 12/2007 Pink 401/129
- D559,318 S * 1/2008 Qiu et al. D19/51

DESCRIPTION

FIG. 1 is a perspective view of the front, right and top of a ballpoint pen according to a first embodiment showing my new design;

FIG. 2 is a front view thereof;

FIG. 3 is a bottom view thereof;

FIG. 4 is a rear view thereof;

FIG. 5 is a left side view thereof;

FIG. 6 is a right side view thereof;

FIG. 7 is a front reference view in usage thereof;

FIG. 8 is a bottom reference view in usage thereof;

FIG. 9 is a perspective view of the front, right and top of a ballpoint pen according to a second embodiment showing my new design;

FIG. 10 is a front view thereof;

FIG. 11 is a bottom view thereof;

FIG. 12 is a bottom view thereof;

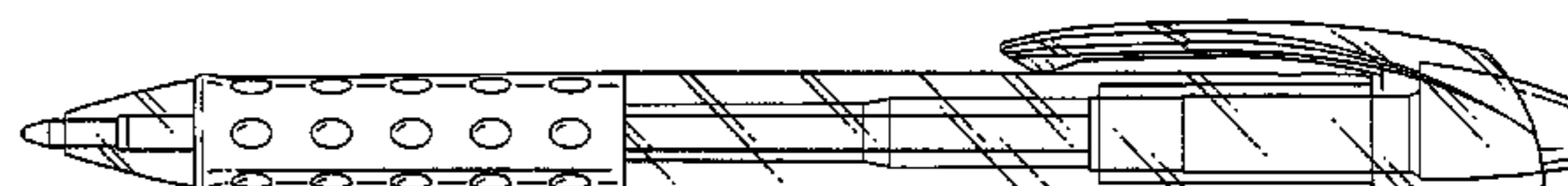
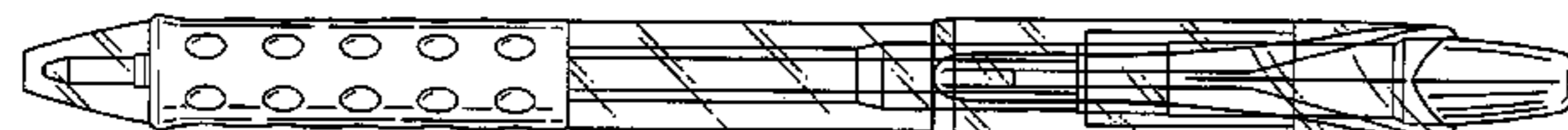
FIG. 13 is a left view thereof;

FIG. 14 is a right side view thereof;

FIG. 15 is a front reference view in usage thereof; and,

FIG. 16 is a bottom reference view in usage thereof.

1 Claim, 6 Drawing Sheets



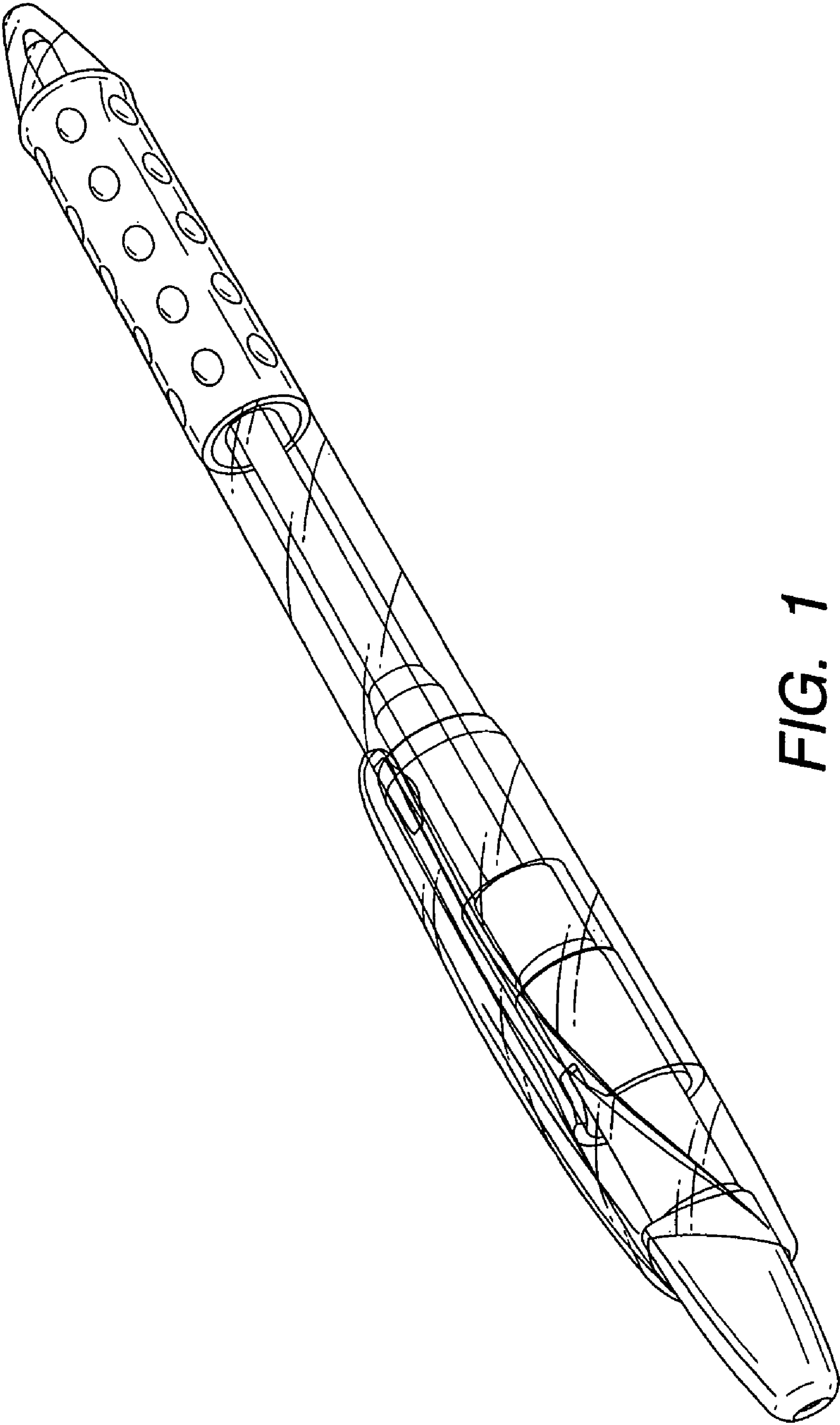


FIG. 1

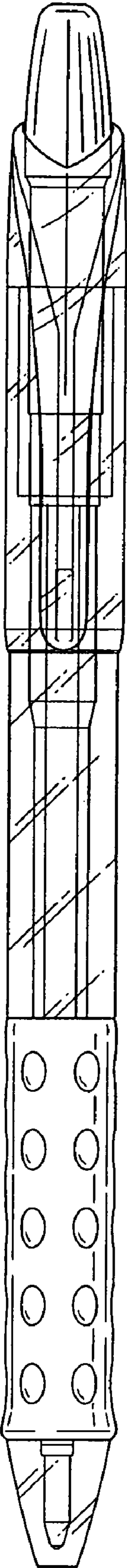


FIG. 2

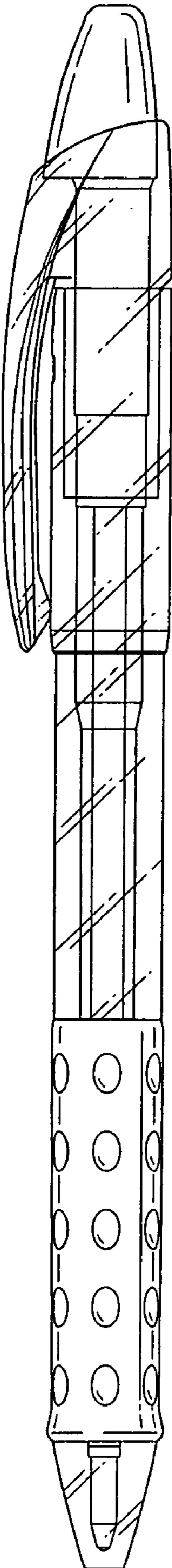


FIG. 3

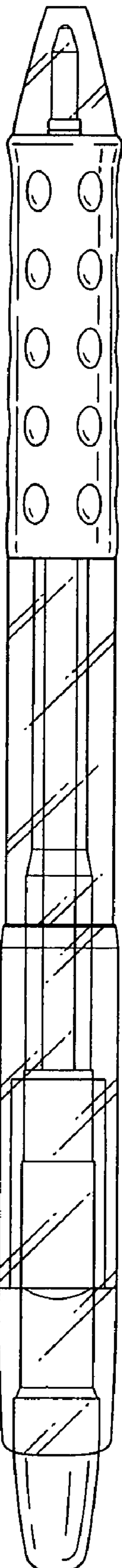


FIG. 4

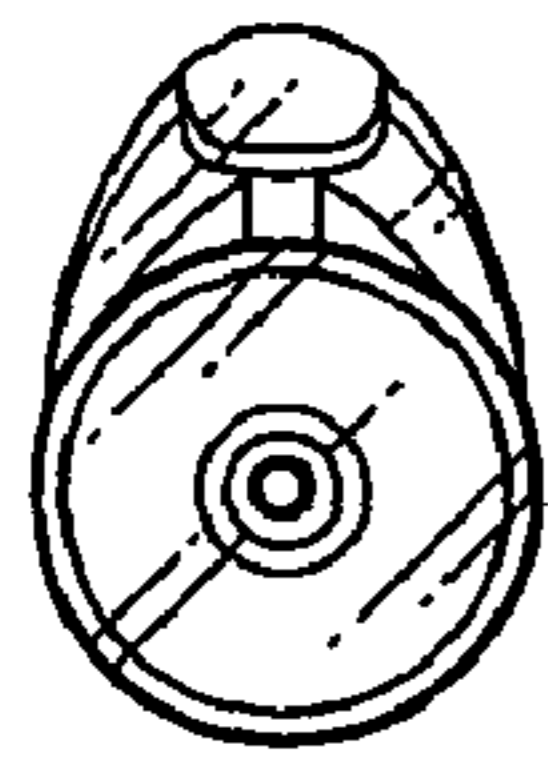


FIG. 5

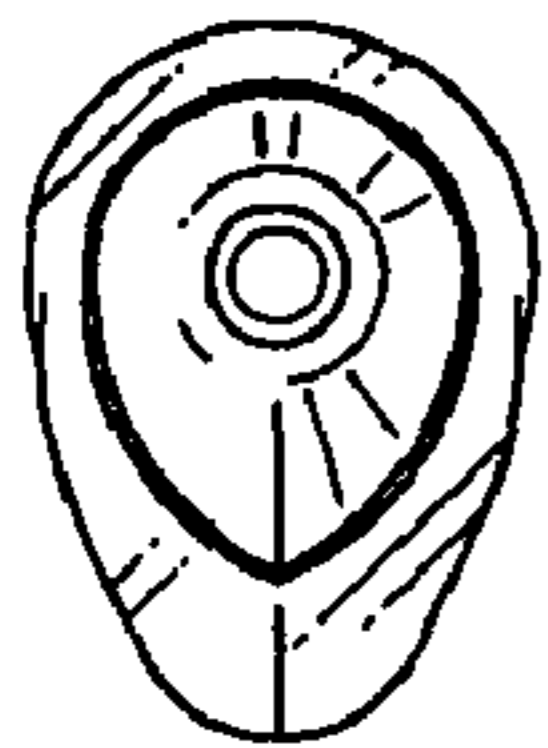


FIG. 6

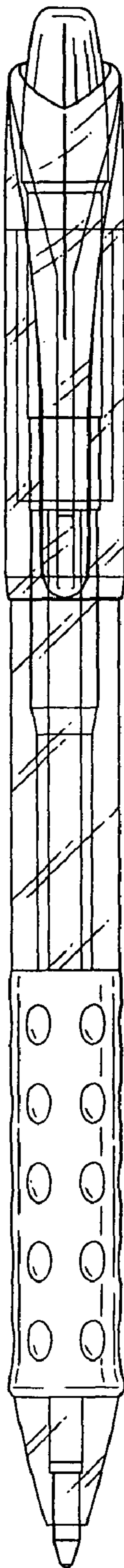


FIG. 7

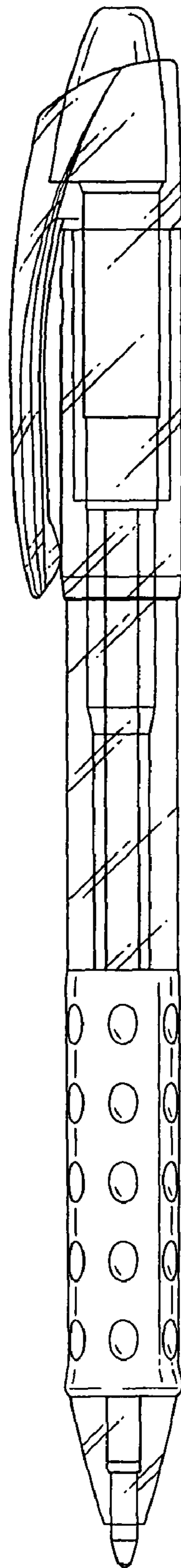


FIG. 8

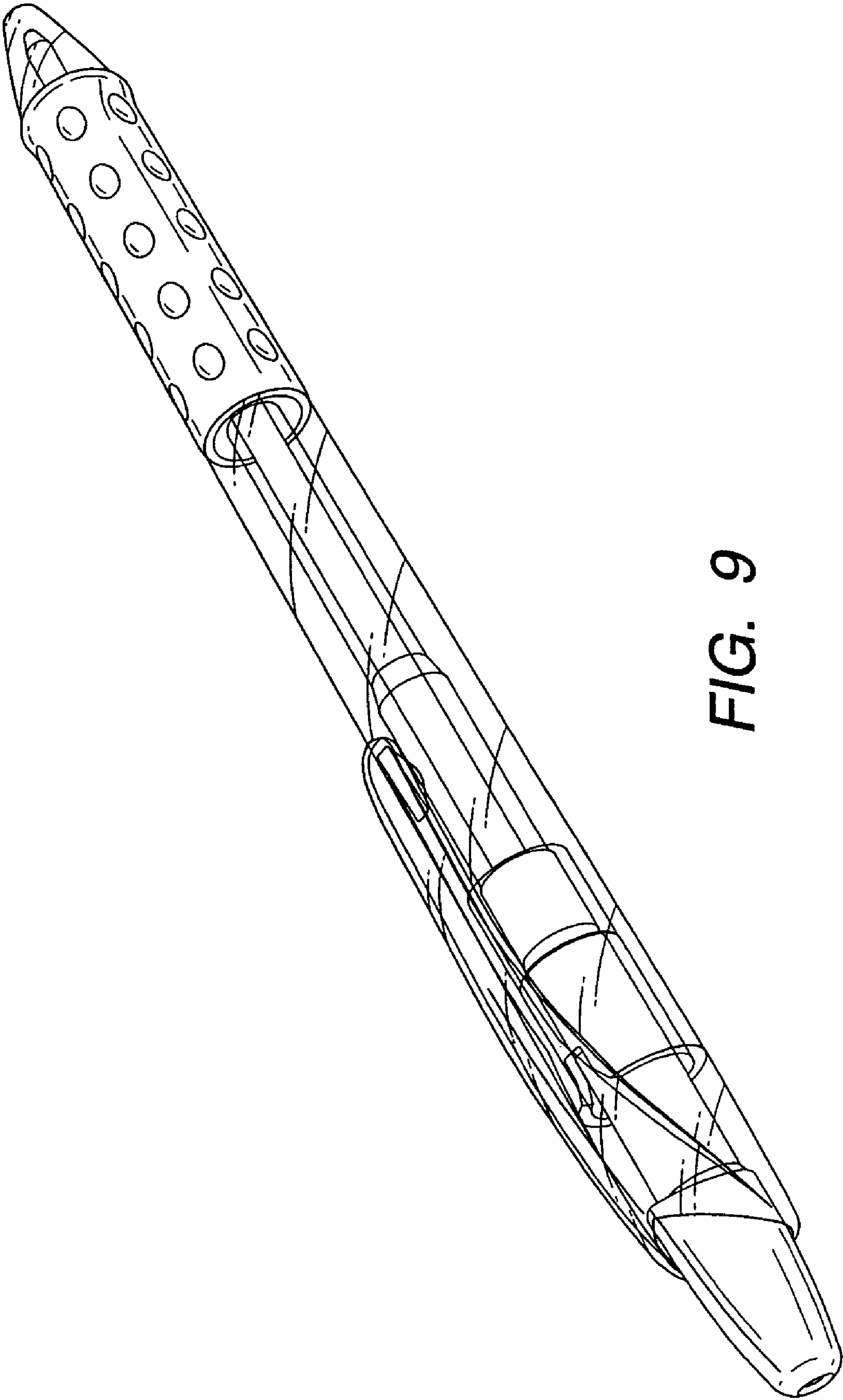


FIG. 9

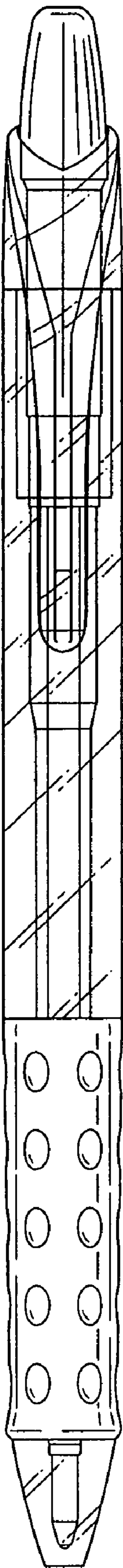


FIG. 10

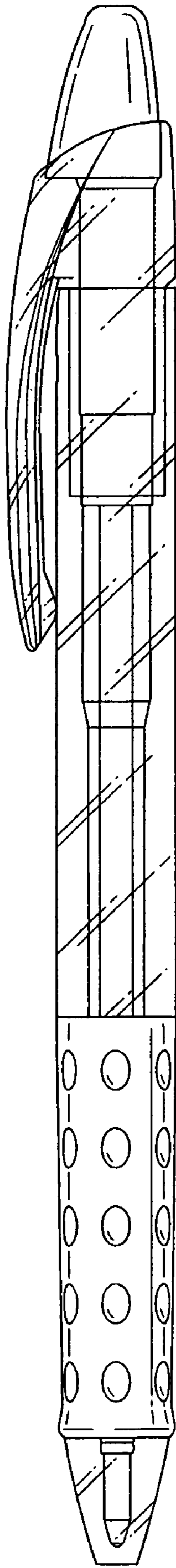


FIG. 11

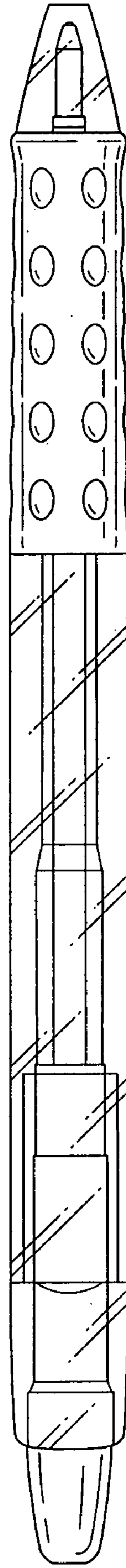


FIG. 12

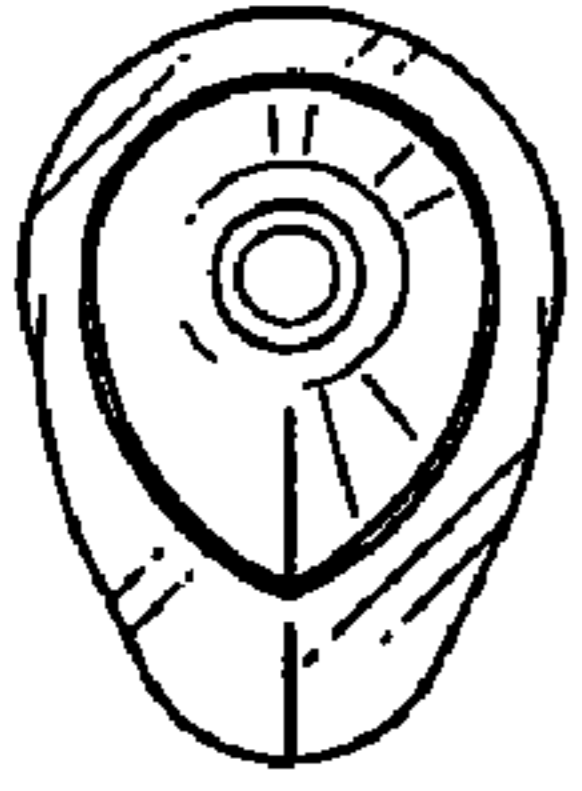


FIG. 13

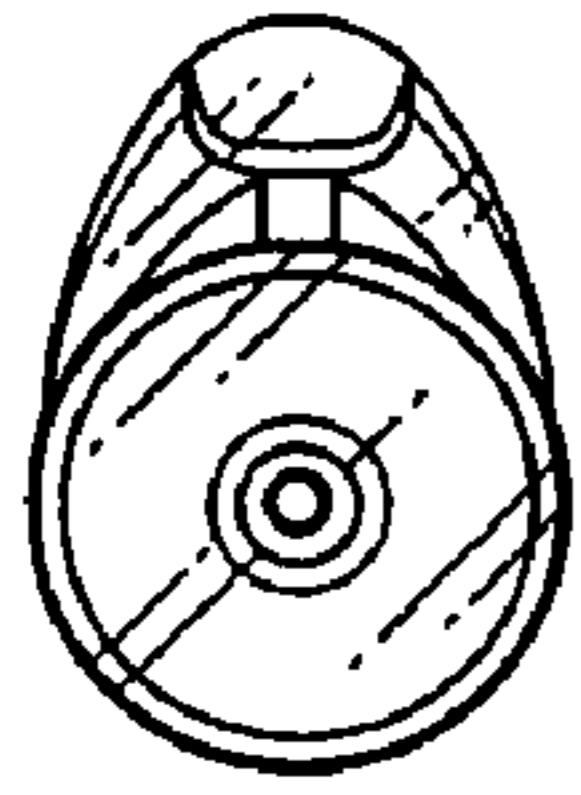


FIG. 14

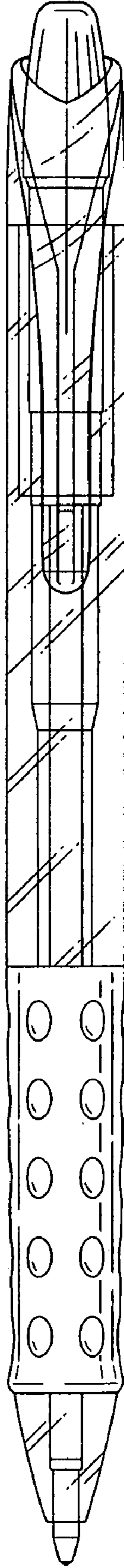


FIG. 15

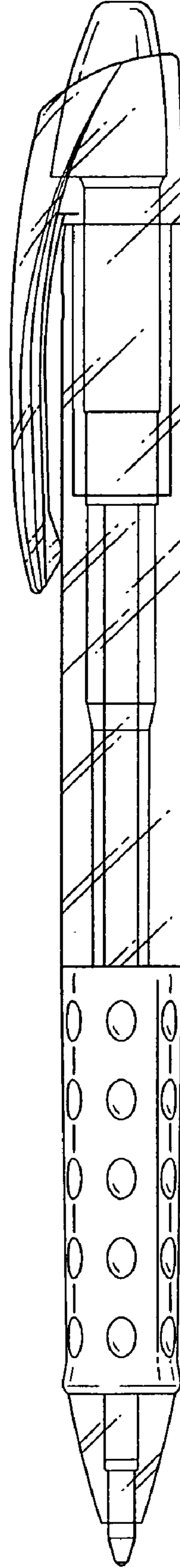


FIG. 16