



US00D620522S

(12) **United States Design Patent**  
**Amano**

(10) **Patent No.:** **US D620,522 S**  
(45) **Date of Patent:** **\*\* Jul. 27, 2010**

(54) **COUPLING FOR TONER CARTRIDGE**

(75) Inventor: **Takafumi Amano**, Kanagawa (JP)

(73) Assignee: **Toshiba Tec Kabushiki Kaisha** (JP)

(\*\*) Term: **14 Years**

(21) Appl. No.: **29/314,692**

(22) Filed: **Apr. 20, 2009**

(30) **Foreign Application Priority Data**

Mar. 3, 2009 (JP) ..... 2009-004695

(51) **LOC (9) Cl.** ..... **16-03**

(52) **U.S. Cl.** ..... **D18/43**

(58) **Field of Classification Search** ..... D14/471;  
D18/12, 36, 40, 43, 44, 56; 222/DIG. 1;  
347/197, 222; 399/24-28, 107-112, 119,  
399/121, 122, 222-224

See application file for complete search history.

(56) **References Cited**

**U.S. PATENT DOCUMENTS**

5,619,244 A \* 4/1997 Manna ..... D18/56  
D449,069 S \* 10/2001 Stouffer ..... D18/56  
D450,758 S \* 11/2001 Stouffer ..... D18/56  
D478,118 S \* 8/2003 Neri ..... D18/40  
6,623,192 B1 \* 9/2003 Kameyama ..... 400/208  
D511,186 S \* 11/2005 Neri et al. .... D18/56  
7,102,659 B2 \* 9/2006 Hayashi ..... 347/214  
D537,472 S \* 2/2007 Amano ..... D18/43

2001/0042810 A1 \* 11/2001 Christensen et al. .... 242/597.2  
2006/0008299 A1 \* 1/2006 Amano et al. .... 399/262  
2007/0036586 A1 \* 2/2007 Funamoto ..... 399/122  
2009/0317135 A1 \* 12/2009 Miyabe et al. .... 399/119

\* cited by examiner

*Primary Examiner*—Caron Veynar

*Assistant Examiner*—Garth Rademaker

(74) *Attorney, Agent, or Firm*—Harness, Dickey & Pierce,  
P.L.C.

(57) **CLAIM**

The ornamental design for a coupling for toner cartridge, as shown and described.

**DESCRIPTION**

FIG. 1 is a front perspective view of a coupling for toner cartridge, showing my new design;

FIG. 2 is a rear perspective view thereof;

FIG. 3 is a front elevational view thereof;

FIG. 4 is a rear elevational view thereof;

FIG. 5 is a top plan view thereof;

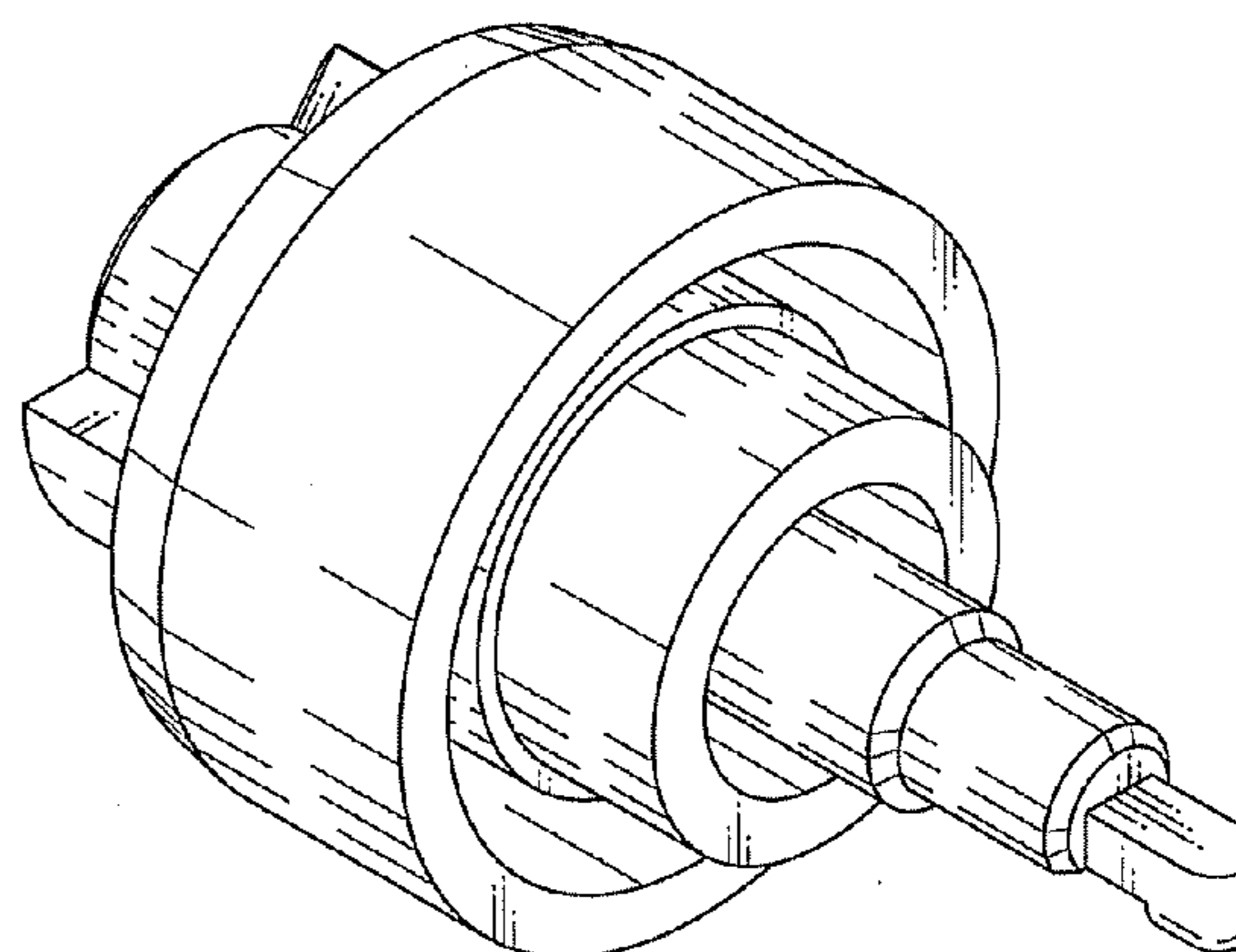
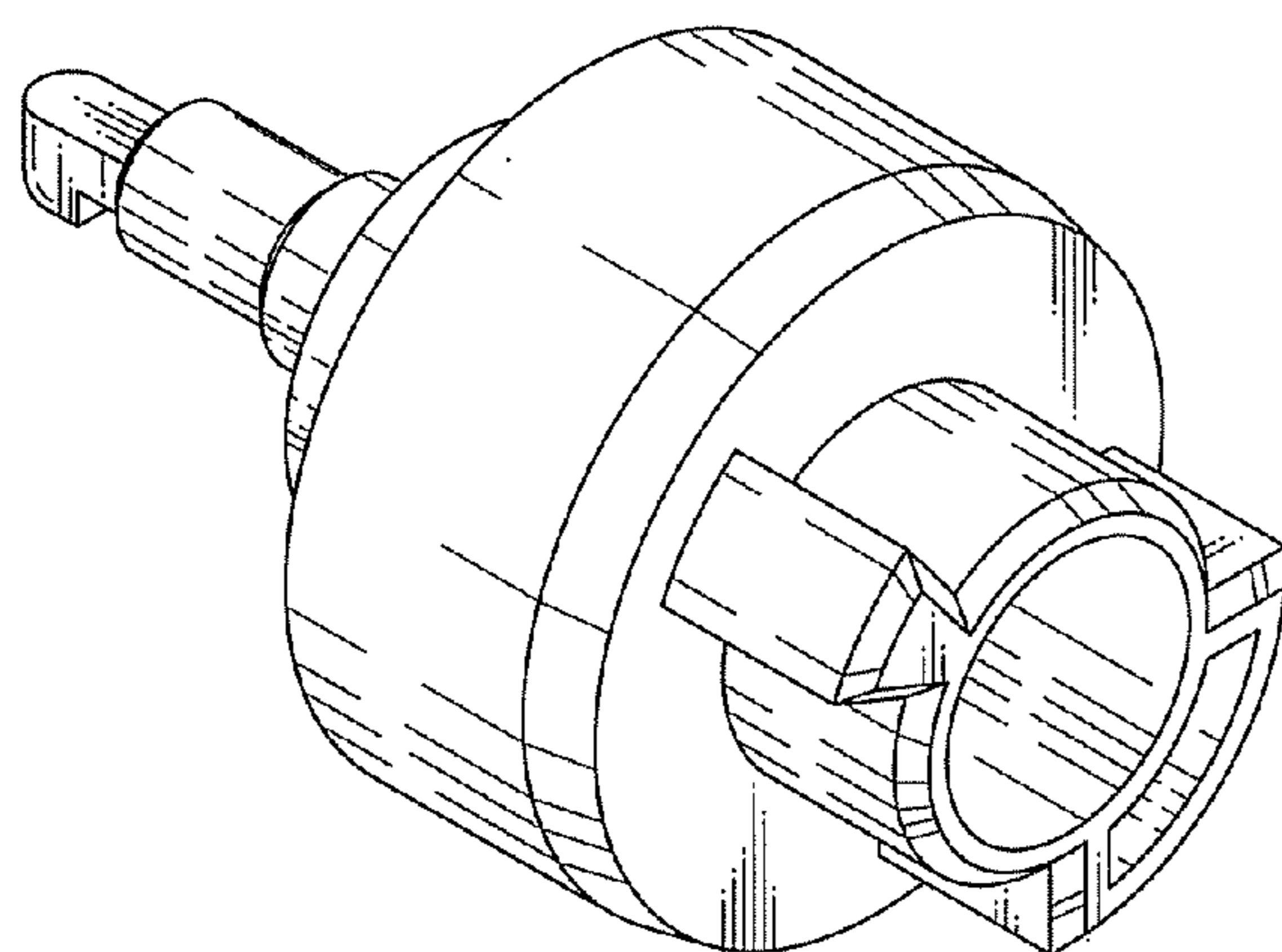
FIG. 6 is a bottom plan view thereof;

FIG. 7 is a right side elevational view thereof; and,

FIG. 8 is a left side elevational view thereof.

The broken lines depict environmental subject matter only and form no part of the claimed design.

**1 Claim, 2 Drawing Sheets**



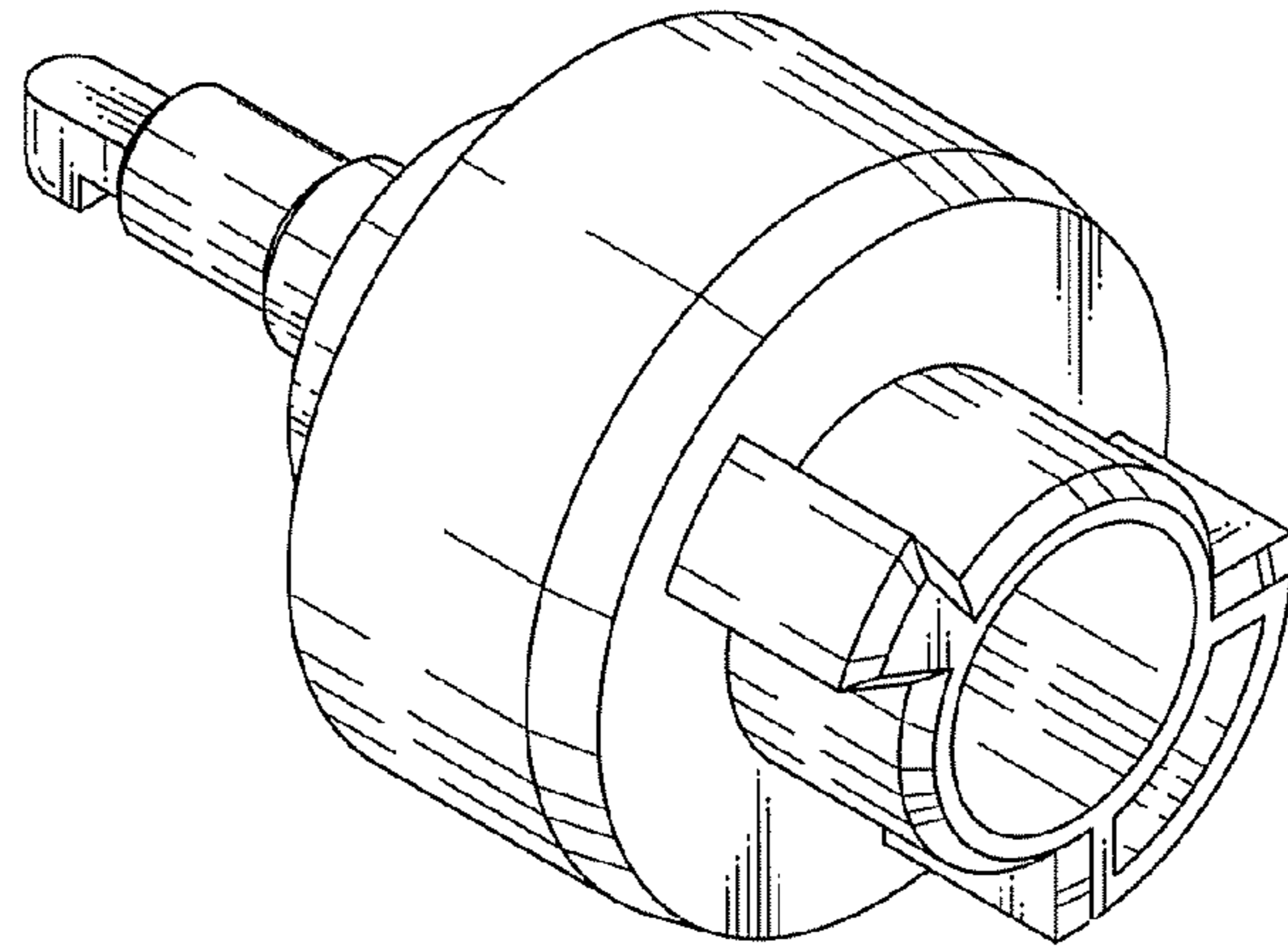


FIG. 1

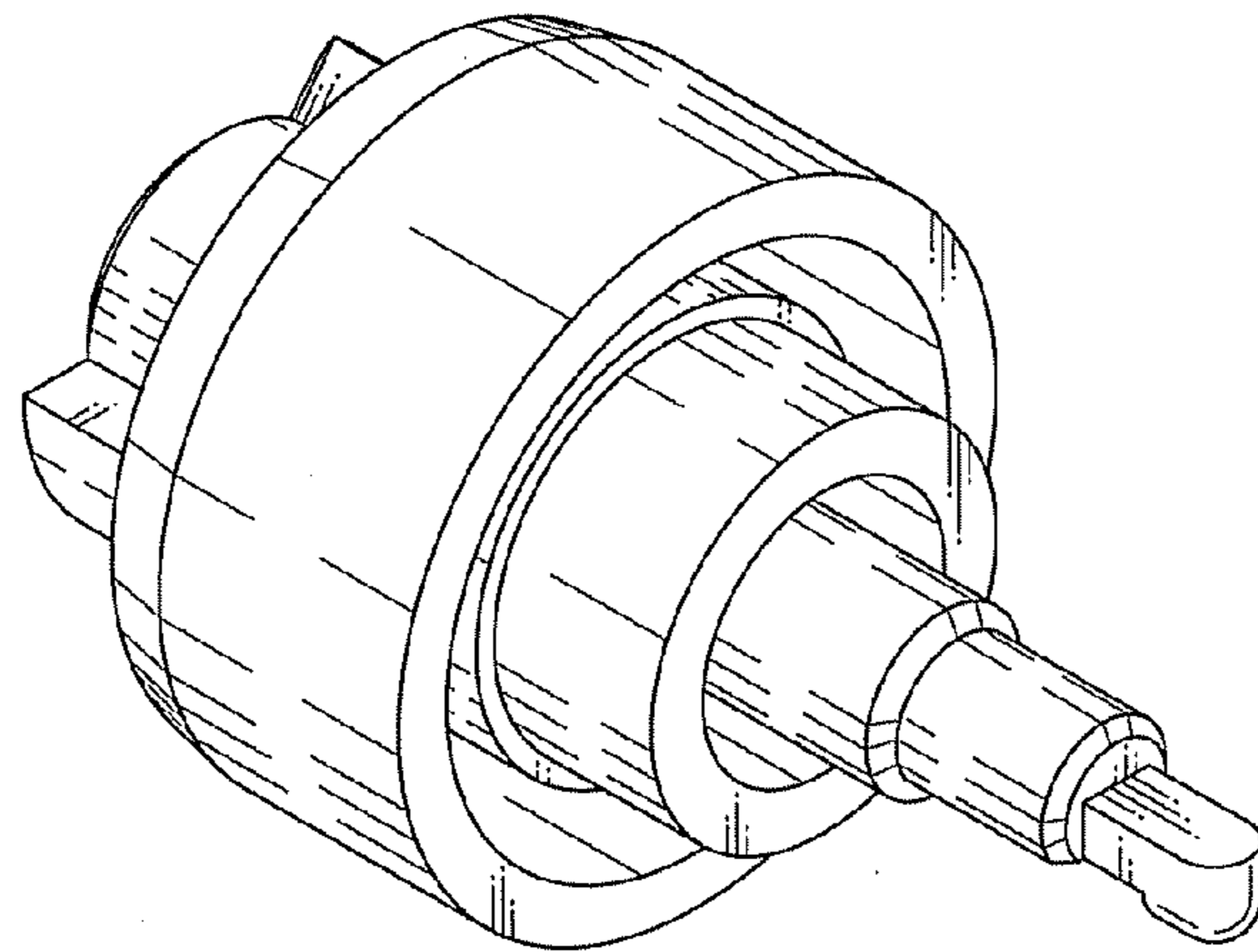


FIG. 2

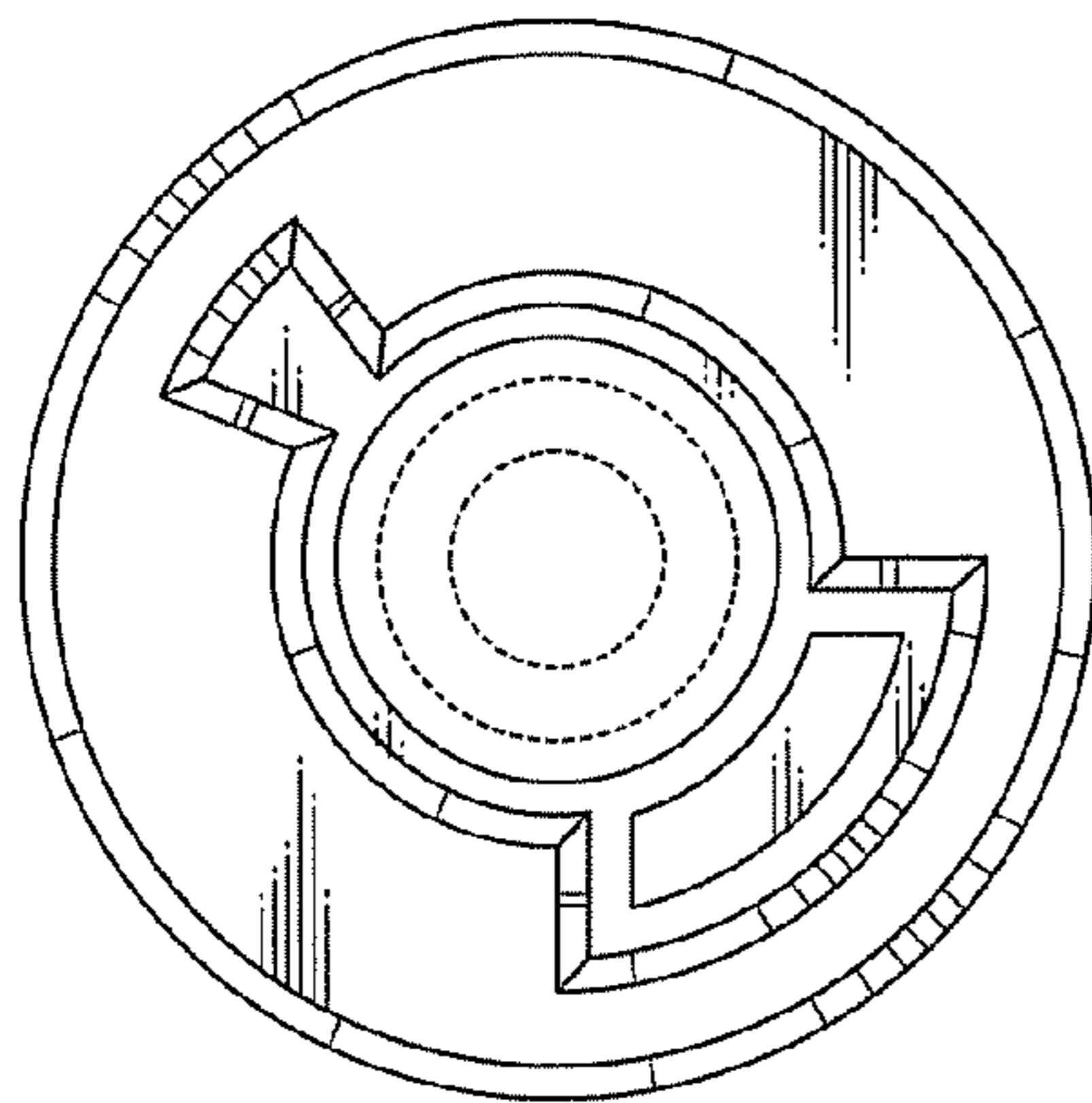


FIG. 3

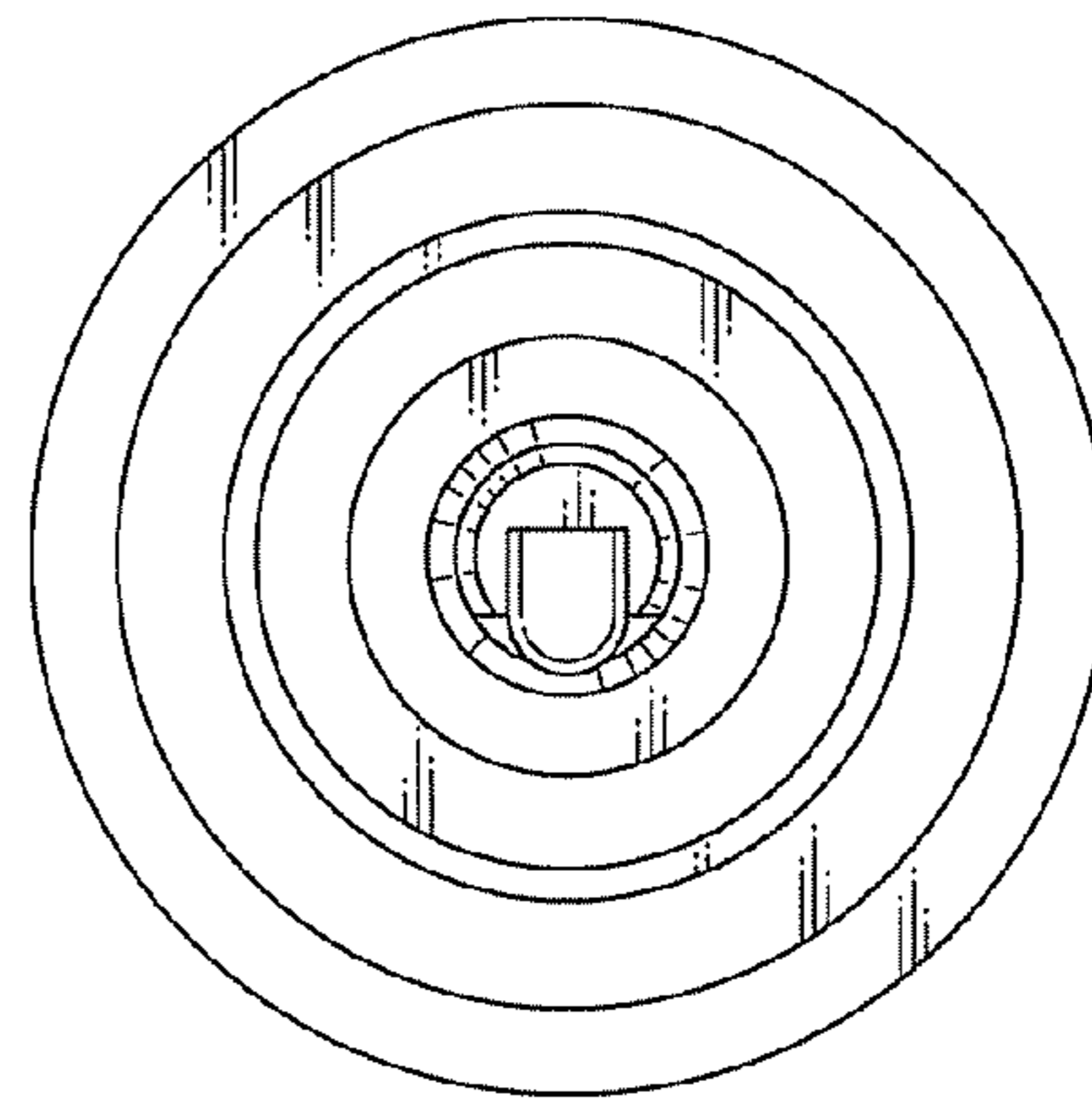


FIG. 4

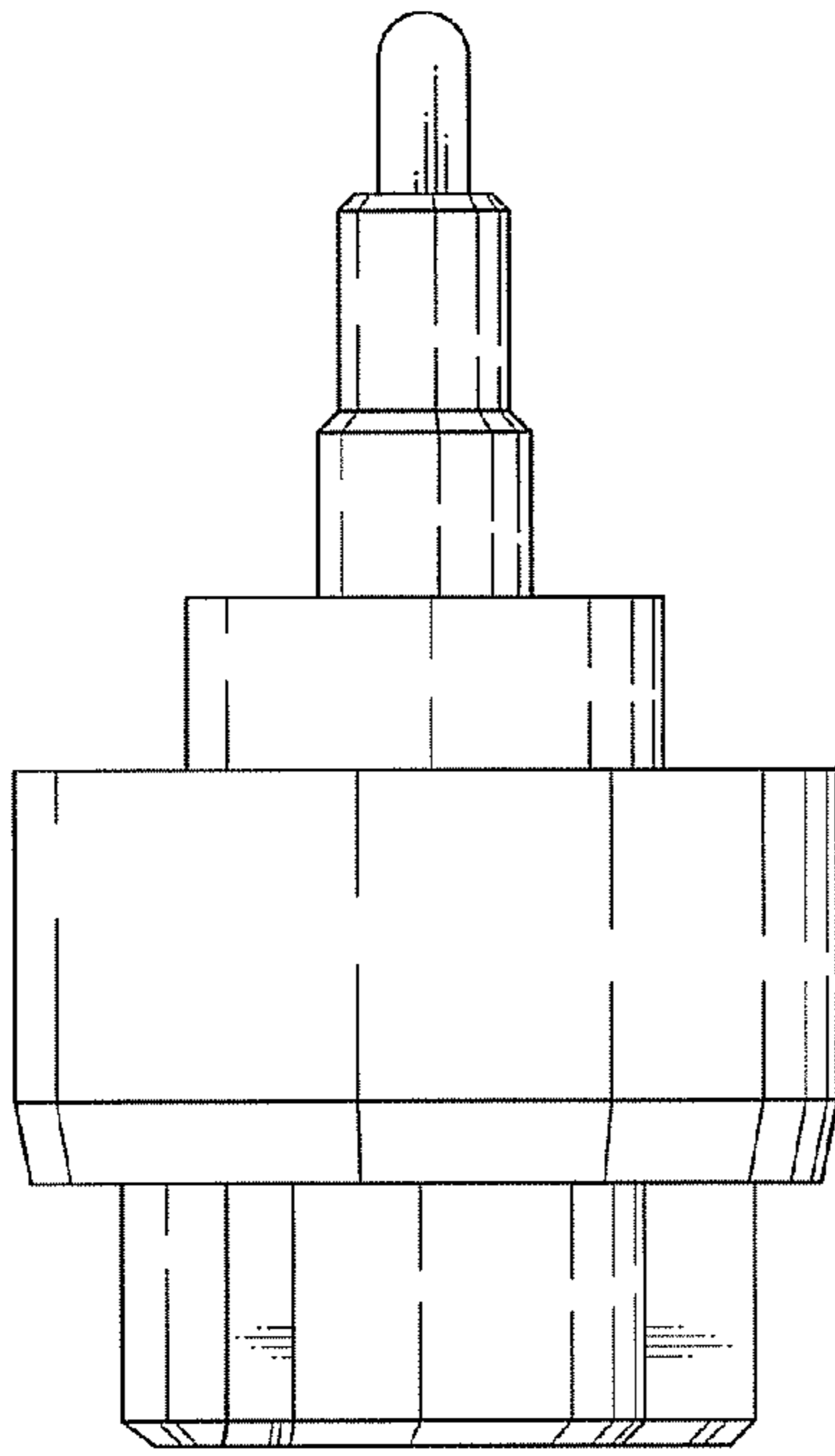


FIG. 5

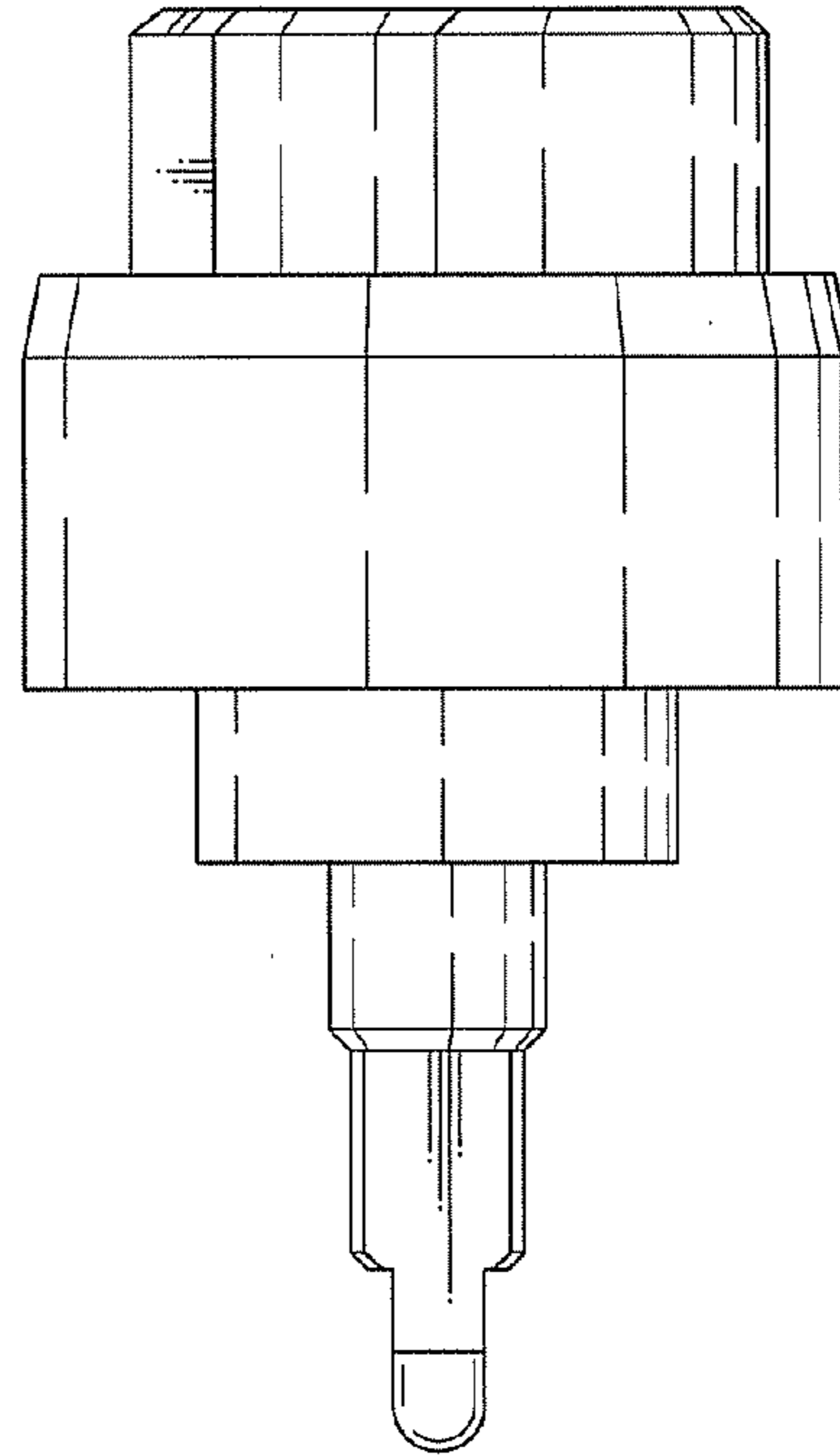


FIG. 6

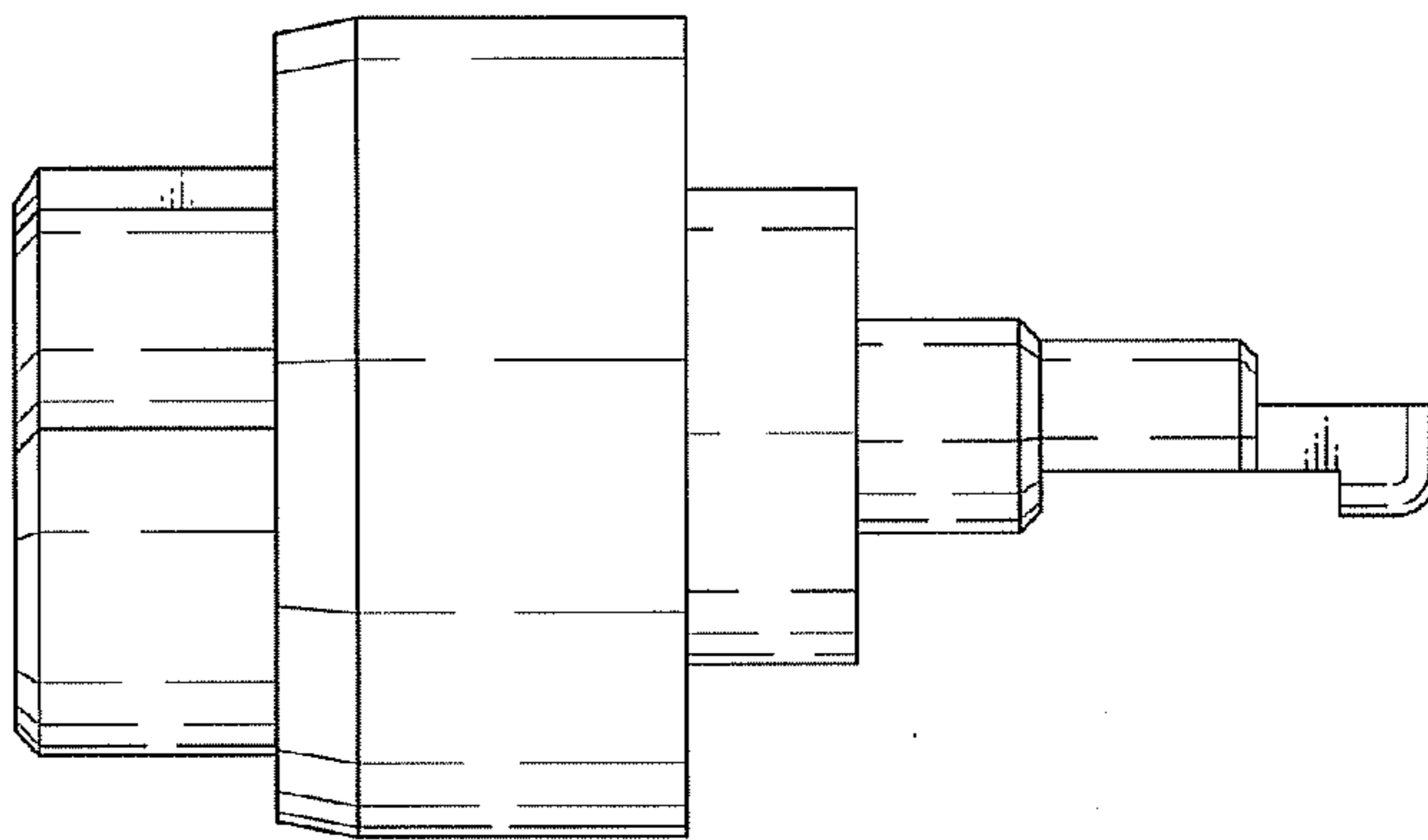


FIG. 7

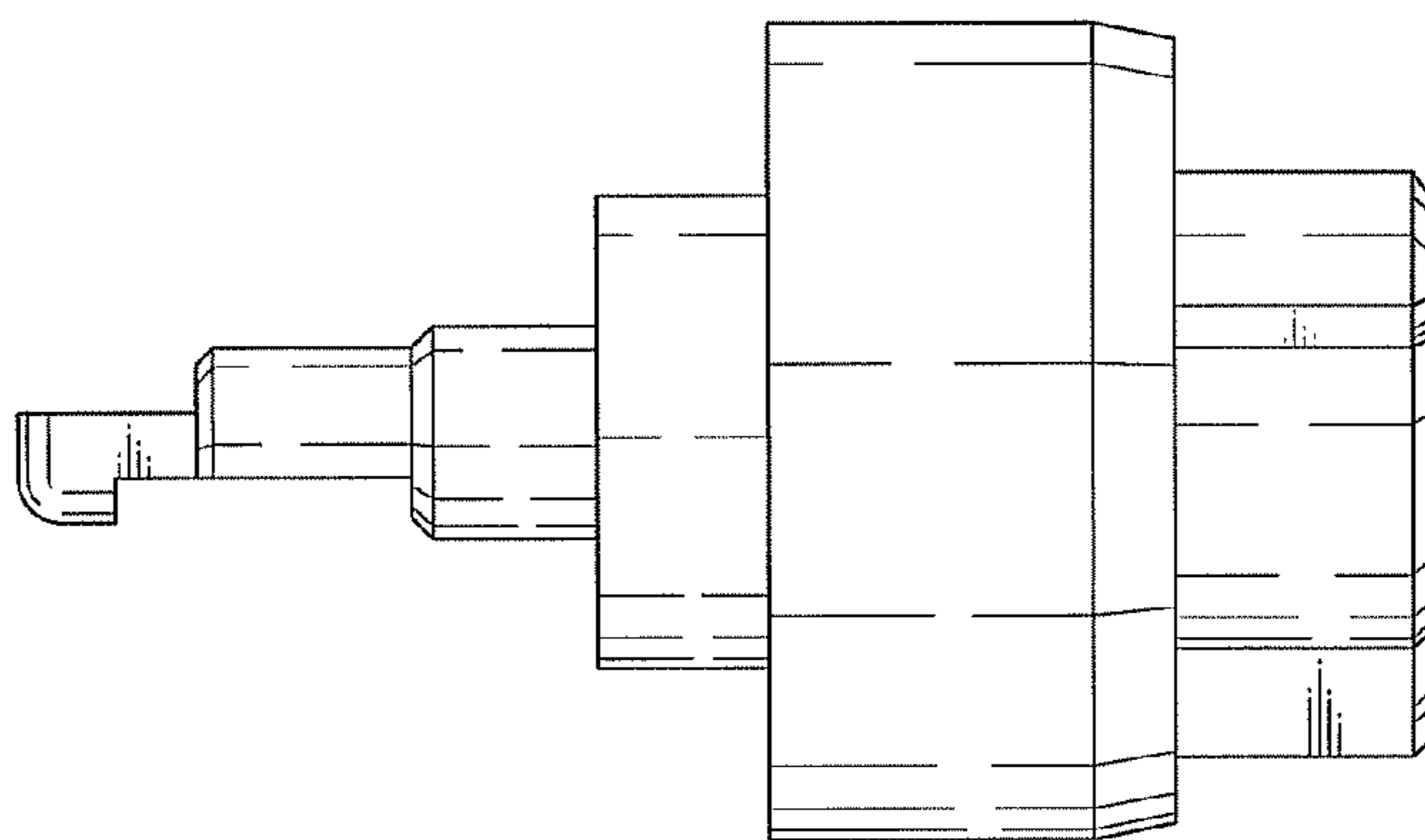


FIG. 8