



US00D620518S

(12) **United States Design Patent**
Csakvary

(10) **Patent No.:** **US D620,518 S**
(45) **Date of Patent:** **** Jul. 27, 2010**

(54) **GUITAR**

(75) Inventor: **Attila Jozsef Csakvary**, 43-40 42nd St.,
Apt. 3F, Sunnyside, NY (US) 11104

(73) Assignee: **Attila Jozsef Csakvary**, Sunnyside, NY
(US)

(**) Term: **14 Years**

(21) Appl. No.: **29/348,394**

(22) Filed: **Dec. 30, 2009**

(51) **LOC (9) Cl.** **17-03**

(52) **U.S. Cl.** **D17/20; D17/14**

(58) **Field of Classification Search** D17/14,
D17/18-20; 84/173, 267, 290-292; D21/405
See application file for complete search history.

(56) **References Cited**

U.S. PATENT DOCUMENTS

D269,788 S	7/1983	LeBlue	D17/14
D277,292 S	1/1985	Leifheit	D17/19
D278,541 S	4/1985	Toth	D17/14
D280,208 S	8/1985	Edwards	D17/19
D329,865 S	9/1992	Harriott	D17/20
D331,252 S *	11/1992	Kroptavich	D17/18
D337,125 S	7/1993	Rumdell	D17/20
D340,737 S	10/1993	Sandberg	D17/14
D442,208 S	5/2001	Shafer	D17/14
D466,547 S *	12/2002	Silvey	D17/20

D477,012 S	7/2003	Rico	D17/14
D486,175 S	2/2004	Villalba	D17/14
D499,757 S *	12/2004	Hoffman	D17/14
D501,018 S	1/2005	Harrington	D17/20
D529,071 S	9/2006	Blake	D17/20
D549,272 S	8/2007	Houser	D17/20
D564,575 S	3/2008	Csakvary	D17/20
D580,964 S	11/2008	Csakvary	D17/14
D594,502 S *	6/2009	Csakvary	D17/14
D594,896 S	6/2009	Peavey	D17/14
D595,762 S	7/2009	Rischke	D17/14
D598,044 S	8/2009	Bouwmeester	D17/14
D611,087 S *	3/2010	Csakvary	D17/14

* cited by examiner

Primary Examiner—Ian Simmons
Assistant Examiner—Charles D Hanson

(57) **CLAIM**

The ornamental design for a guitar, as shown and described.

DESCRIPTION

FIG. 1 is a front elevational view of a guitar showing my new design;

FIG. 2 is a rear elevational view thereof; and,

FIG. 3 is a right side elevational view thereof.

The broken lines shown in the drawings are for illustrative purpose only and form no part of the claimed design.

1 Claim, 3 Drawing Sheets

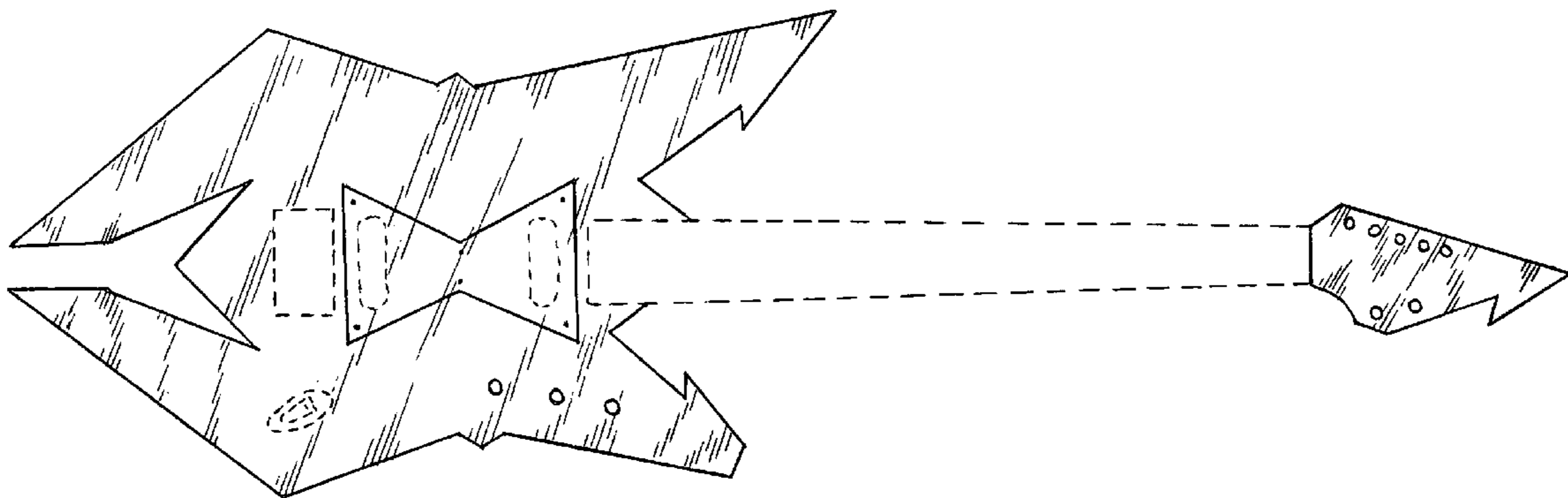


FIG. 1

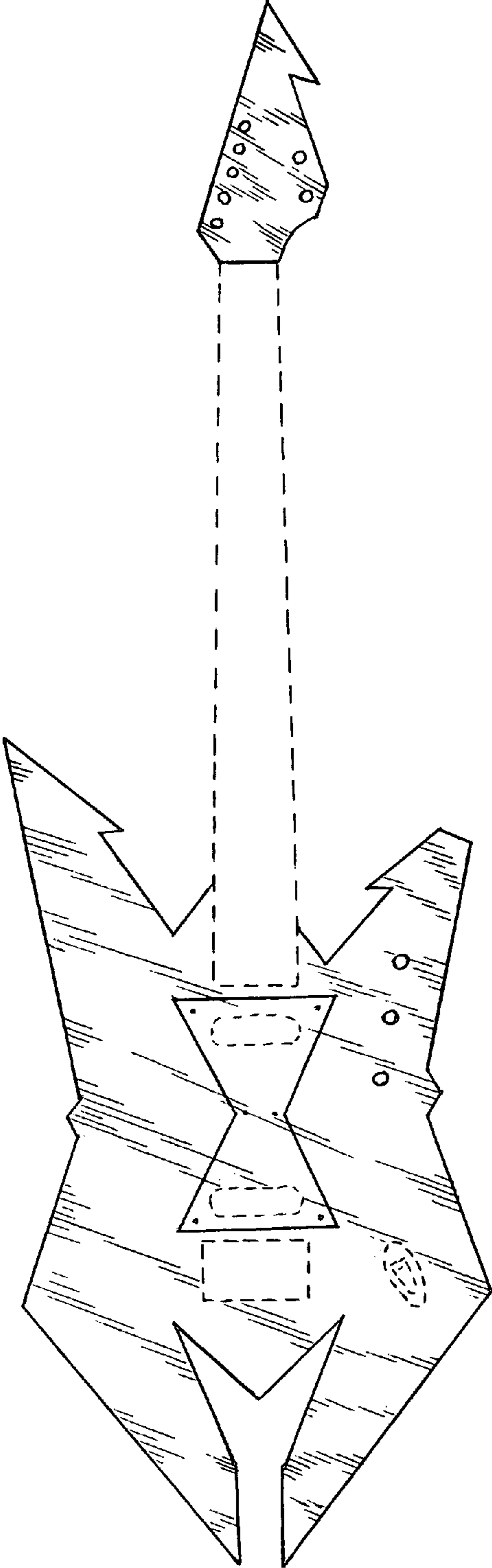


FIG. 2

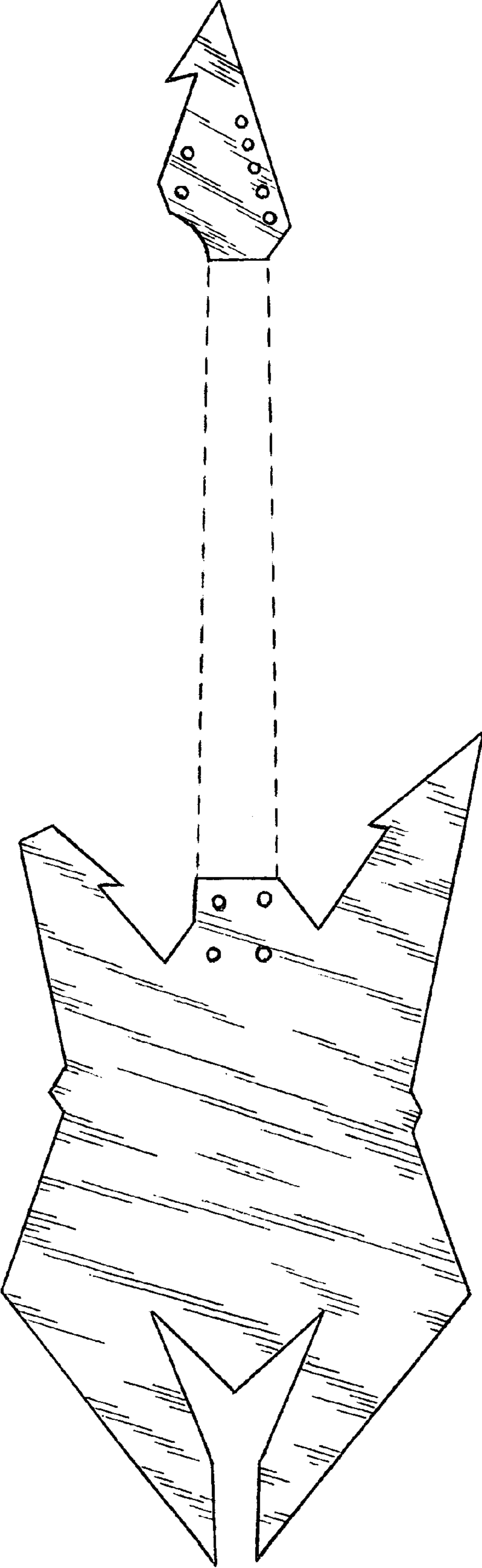


FIG. 3

