



US00D620516S

(12) **United States Design Patent**
Hadehara

(10) **Patent No.:** **US D620,516 S**
(45) **Date of Patent:** **** Jul. 27, 2010**

(54) **SWIMMING GOGGLES**

(75) Inventor: **Shinichi Hadehara**, Higashiosaka (JP)

(73) Assignee: **Yamamoto Kogaku Co., Ltd.**, Osaka (JP)

(**) Term: **14 Years**

(21) Appl. No.: **29/308,642**

(22) Filed: **Jun. 27, 2008**

(30) **Foreign Application Priority Data**

Dec. 28, 2007 (JP) 2007-36073

(51) **LOC (9) Cl.** **16-06**

(52) **U.S. Cl.** **D16/303**

(58) **Field of Classification Search** D16/101,
D16/300-342; D29/109-110; D24/110.2;
351/41, 44, 51-52, 62, 158, 92, 103-123,
351/140, 153, 45-46, 157; 2/426-432, 447-449,
2/441, 434-437, 13, 15; D21/483, 659-661
See application file for complete search history.

(56) **References Cited**

U.S. PATENT DOCUMENTS

D243,482 S * 3/1977 Fireman D16/303
4,279,039 A * 7/1981 Drew 2/428
D282,500 S * 2/1986 Fireman D16/303
5,655,228 A * 8/1997 Chiang 2/428
D395,666 S * 6/1998 Yashiro D16/303

D413,914 S * 9/1999 Tsubooka D16/303
D415,780 S * 10/1999 Minamidani D16/303
D435,057 S * 12/2000 Chen D16/311

OTHER PUBLICATIONS

“2005 Mid-Summer Speedo Collection”, p. 86, Mizuno Corporation of Japan, 2005.

* cited by examiner

Primary Examiner—Raphael Barkai

(74) *Attorney, Agent, or Firm*—William L. Androlia; H. Henry Koda

(57) **CLAIM**

The ornamental design for swimming goggles, as shown and described.

DESCRIPTION

FIG. 1 is a front elevational view of swimming goggles showing my new design;

FIG. 2 is a rear elevational view thereof;

FIG. 3 is a top plan view thereof;

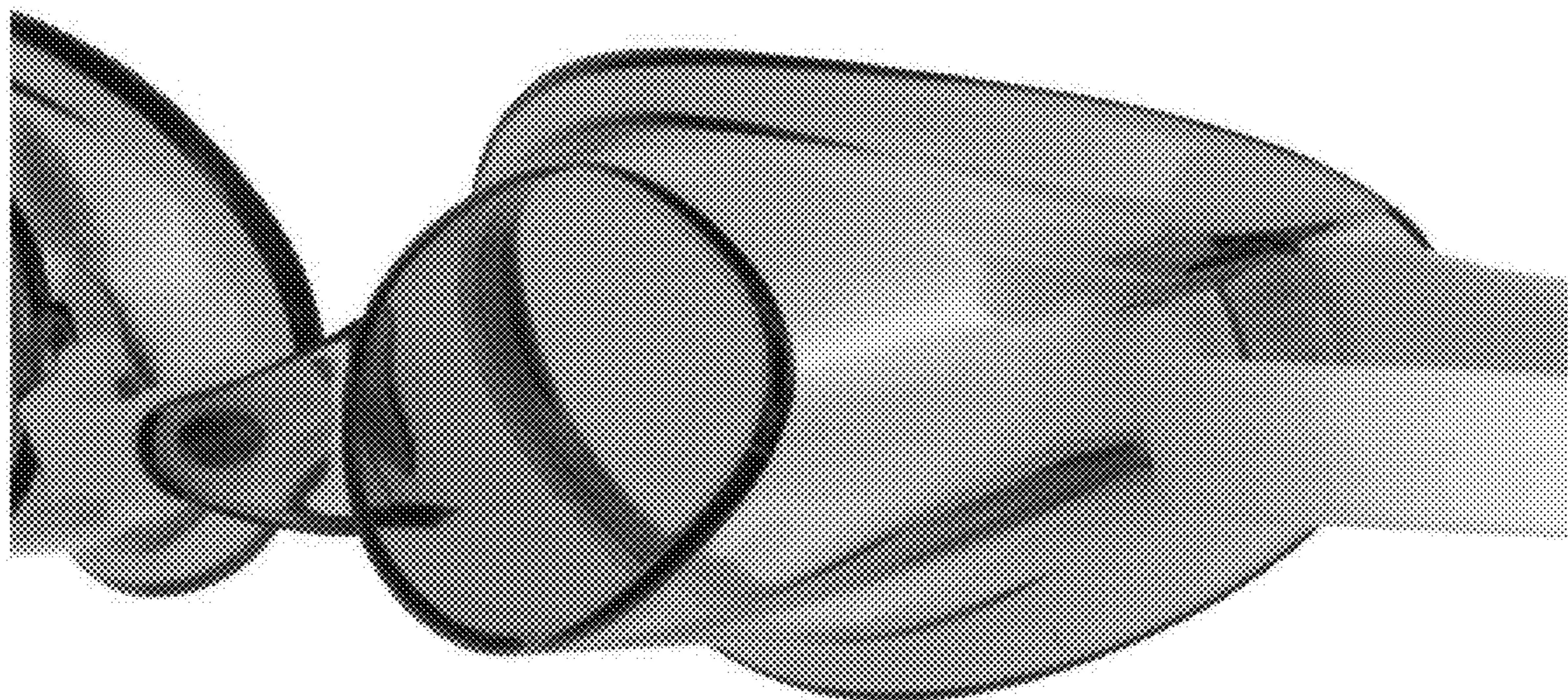
FIG. 4 is a bottom plan view thereof;

FIG. 5 is a right side elevational view thereof;

FIG. 6 is a left side elevational view thereof; and,

FIG. 7 is a partially enlarged perspective view taken from the front and right side of the goggles.

1 Claim, 5 Drawing Sheets



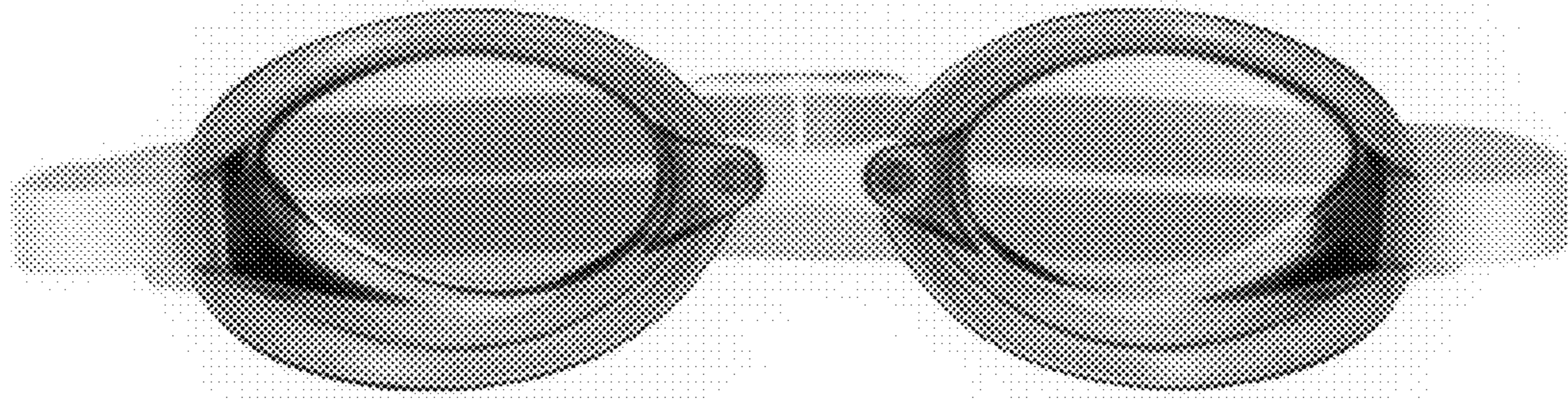


Fig.1

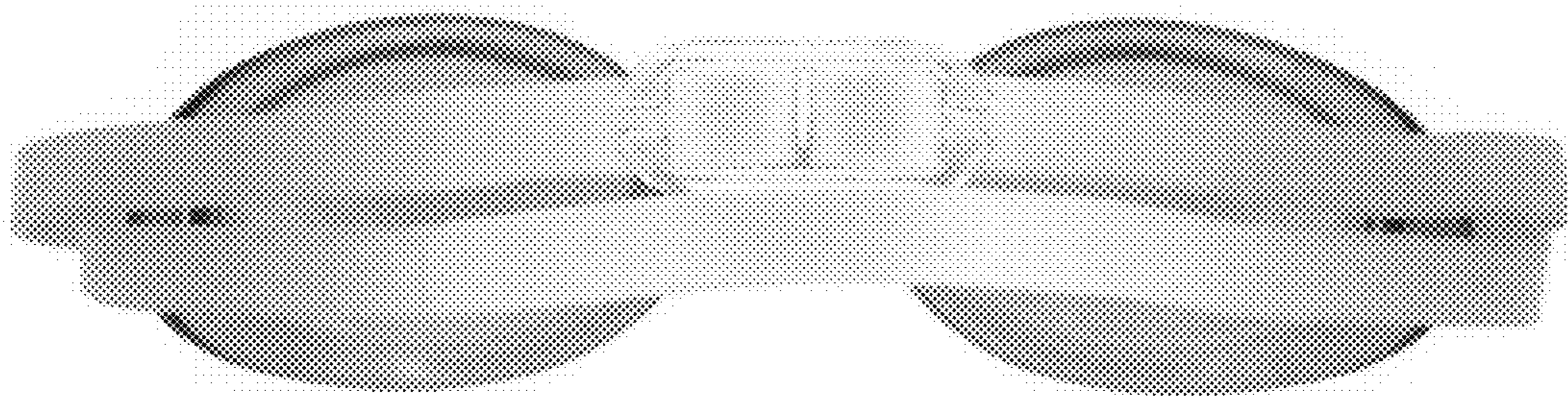


Fig.2



Fig. 3



Fig.4

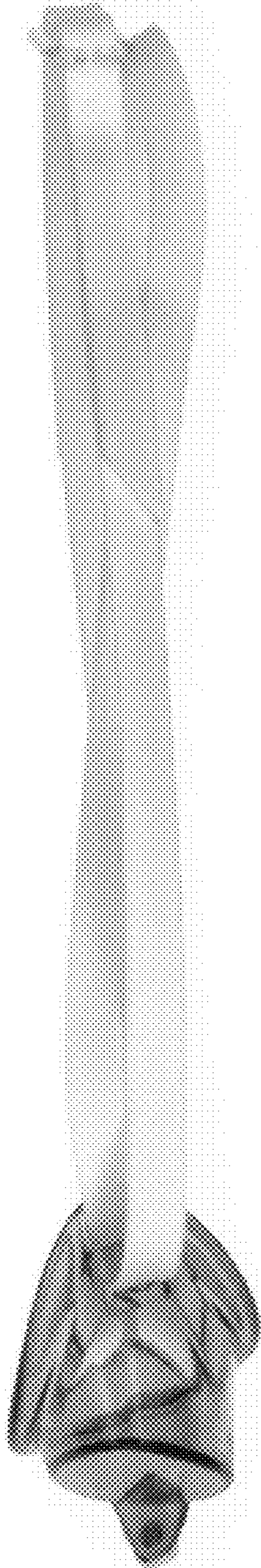


Fig. 5

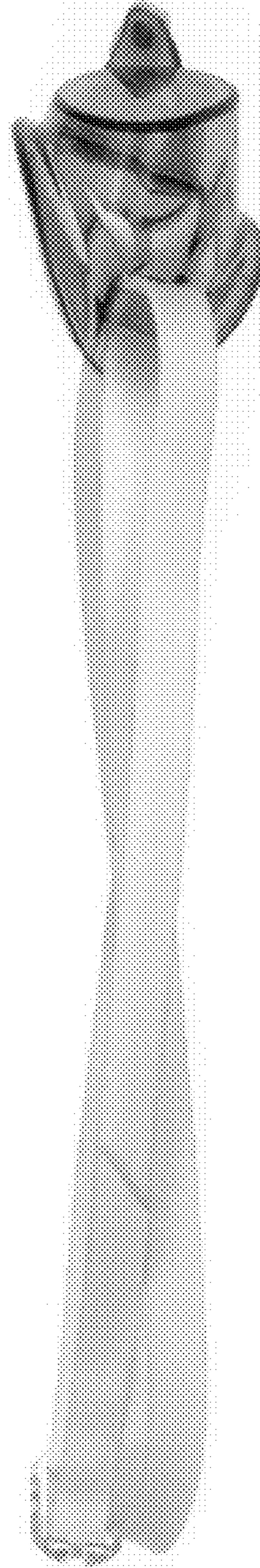


Fig. 6

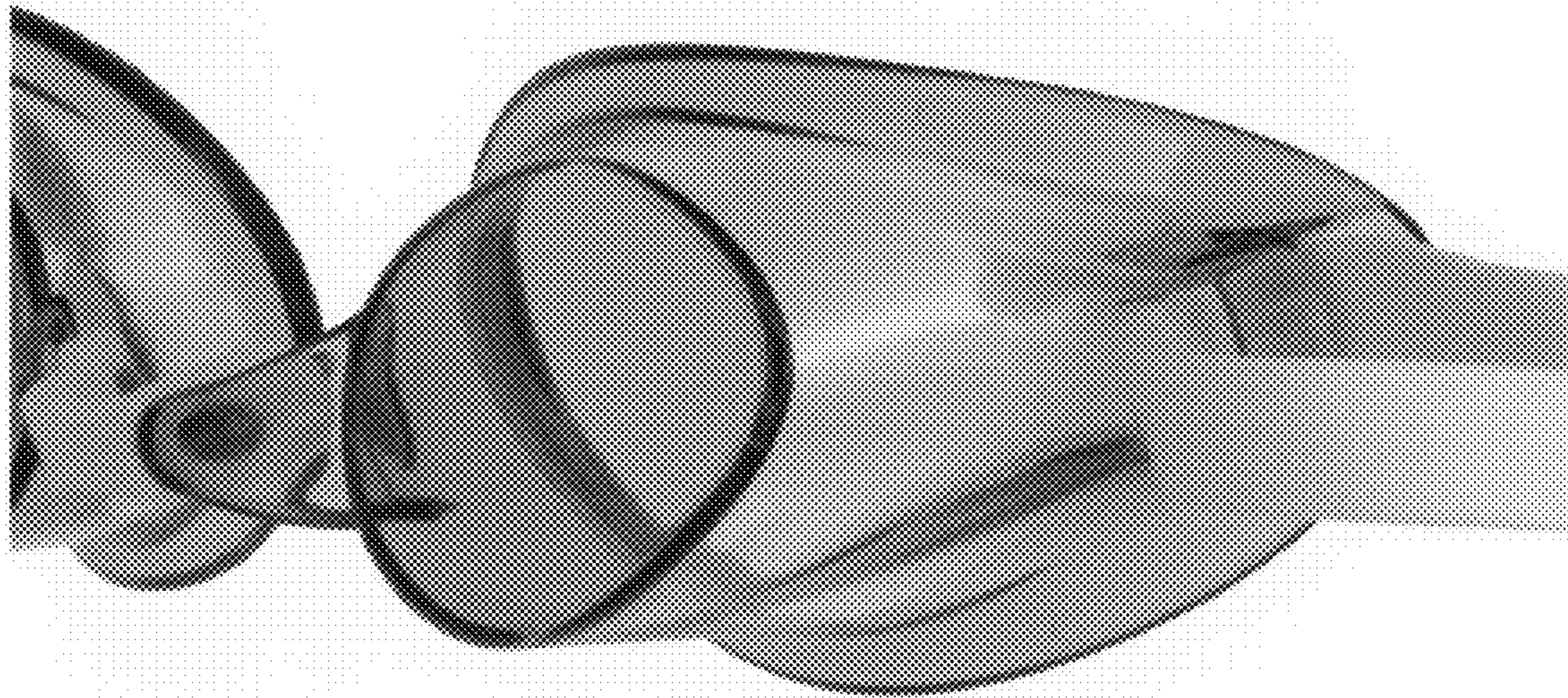


Fig.7