



US00D620513S

(12) **United States Design Patent**
Richards

(10) **Patent No.:** **US D620,513 S**
(45) **Date of Patent:** **** Jul. 27, 2010**

(54) **SENSOR ENCLOSURE**

D414,504 S 9/1999 Madden
D416,032 S 11/1999 Bakshi

(75) Inventor: **Paul Montgomery Richards**, San Mateo, CA (US)

(73) Assignee: **Firetide, Inc.**, Los Gatos, CA (US)

(Continued)

(**) Term: **14 Years**

OTHER PUBLICATIONS

(21) Appl. No.: **29/334,579**

“Firetide Integrated Video Solution IVS-100”, Data Sheet DS017B-0809, Firetide, Inc., 2009, 2 pages.

(22) Filed: **Mar. 28, 2009**

(51) **LOC (9) Cl.** **16-01**

(52) **U.S. Cl.** **D16/203**

(58) **Field of Classification Search** D10/46;

D14/358, 496, 137; D16/202, 203, 242;
348/211–211.3, 99, 143; 396/427, 429

See application file for complete search history.

Primary Examiner—Antoine D Davis

(74) *Attorney, Agent, or Firm*—PatentVentures; Bennett Smith; Korbin Van Dyke

(57) **CLAIM**

The ornamental design for a sensor enclosure, as shown and described.

(56) **References Cited**

U.S. PATENT DOCUMENTS

D248,305 S	6/1978	Scott	
D255,362 S	6/1980	Coleman	
D273,012 S	3/1984	Kozloski	
D275,294 S	8/1984	Pagano	
D303,675 S	9/1989	Beaver	
D307,557 S	5/1990	Frahm	
D307,759 S	5/1990	Pagano	
D307,915 S	5/1990	Kuester, III	
D311,924 S	11/1990	Loyd et al.	
D325,355 S	4/1992	Meguerdichian et al.	
D333,629 S	3/1993	Johnson	
D339,997 S	10/1993	Manor, Jr. et al.	
D340,940 S	11/1993	Ellenberger et al.	
D348,621 S	7/1994	Blake	
D360,960 S	8/1995	Wedell et al.	
D361,149 S	8/1995	Wedell	
D365,834 S	1/1996	Dozier	
D377,940 S	2/1997	Totsch	
D381,997 S *	8/1997	Morooka D16/202
D392,300 S	3/1998	Chow et al.	
D395,408 S	6/1998	Wiesemann	
D400,451 S	11/1998	Walter	
D403,340 S	12/1998	Arbuckle	
D405,456 S	2/1999	Lefkowitz	

DESCRIPTION

FIG. 1 is a perspective view of a sensor enclosure, showing our new design;

FIG. 2 is a view of a first end of a sensor enclosure, showing our new design;

FIG. 3 is a view of a second end of a sensor enclosure, showing our new design;

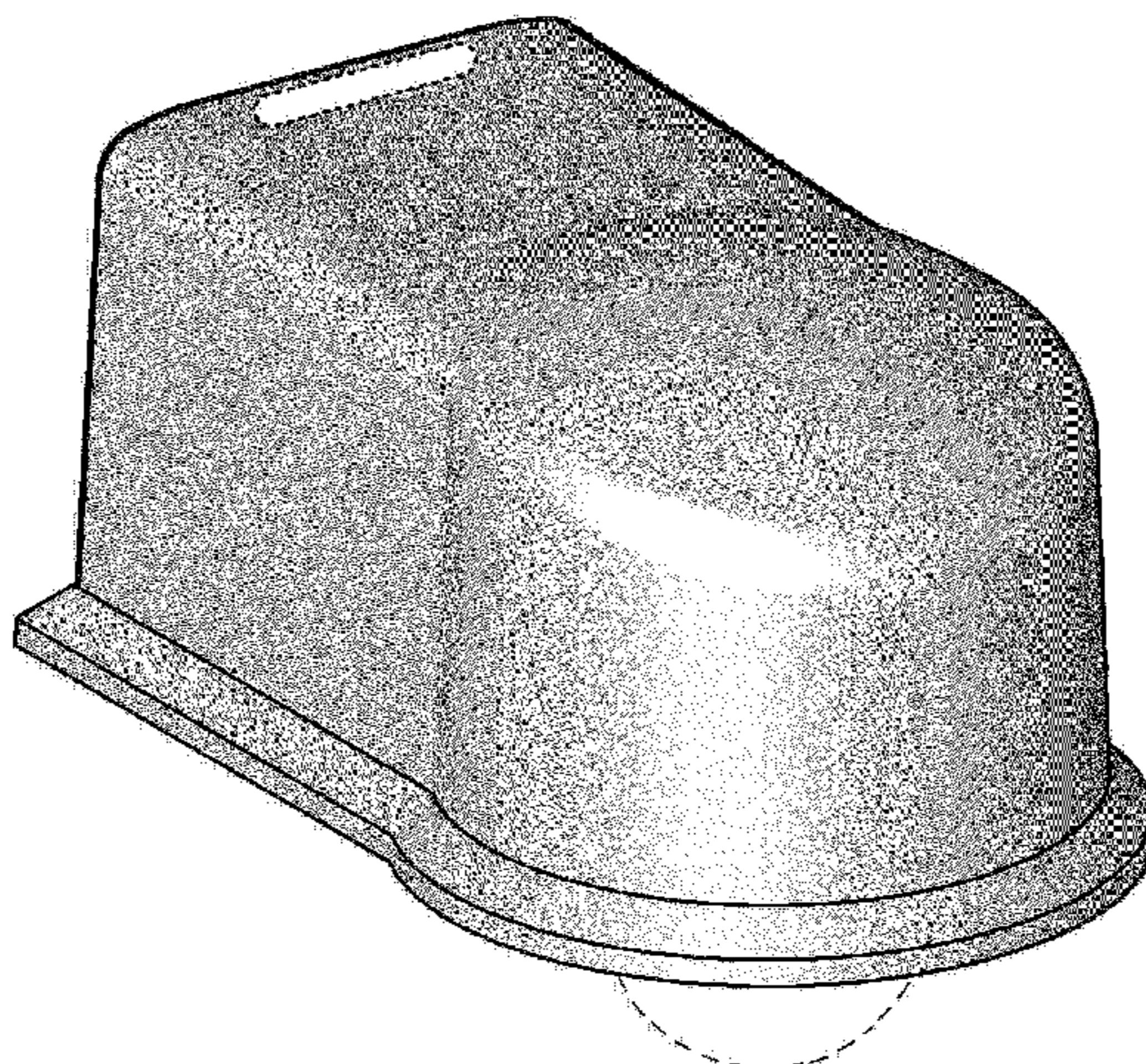
FIG. 4 is a top view of a sensor enclosure, showing our new design;

FIG. 5 is a side view of a sensor enclosure, showing our new design, the other side view being a mirror image; and,

FIG. 6 is a bottom view of a sensor enclosure, showing our new design.

Broken line areas in the figures form no part of the claimed design and are for illustrative purposes only.

1 Claim, 4 Drawing Sheets



US D620,513 S

Page 2

U.S. PATENT DOCUMENTS

D416,569 S	11/1999	Green	D510,374 S	10/2005	Greenwood et al.
D420,298 S	2/2000	Eisenhower	D515,124 S	2/2006	Bleau et al.
D424,087 S	5/2000	Frick et al.	D519,860 S	5/2006	Bugbee
D426,250 S	6/2000	Lefkowitz	D524,834 S	7/2006	Dozier et al.
D428,618 S	7/2000	McBride	D527,405 S *	8/2006	Kim et al. D16/203
D435,576 S	12/2000	McBride	D528,029 S	9/2006	Cronin et al.
D435,577 S	12/2000	McBride	D540,358 S	4/2007	Orbach
D438,227 S	2/2001	Grotto	D541,326 S	4/2007	Ford et al.
D439,591 S	3/2001	Reidt et al.	D541,679 S	5/2007	Disselkoen et al.
D450,738 S	11/2001	Rak	D542,160 S	5/2007	Disselkoen et al.
D461,485 S	8/2002	Jones et al.	D542,684 S	5/2007	Nama
D473,887 S	4/2003	Jones et al.	D545,706 S	7/2007	Nurczyk et al.
D473,888 S	4/2003	Jones et al.	D552,651 S	10/2007	Arbuckle
D477,345 S	7/2003	Hildreth	D556,233 S	11/2007	Webb et al.
D481,406 S	10/2003	Alessio	D556,235 S	11/2007	Todd et al.
D481,407 S	10/2003	Alessio	D558,811 S	1/2008	Higgins et al.
D489,278 S	5/2004	Rittmann	D561,808 S	2/2008	Arnold et al.
D500,511 S	1/2005	Sybilrud	D564,003 S	3/2008	Throckmorton et al.
D501,863 S	2/2005	Nagai	D568,361 S	5/2008	Arnold et al.
D503,183 S	3/2005	Arbuckle et al.	D575,810 S	8/2008	Alm
D504,335 S	4/2005	Stevenson et al.	D577,758 S	9/2008	Ferris et al.
D507,804 S	7/2005	Nagai	D579,799 S	11/2008	Barton et al.
D508,710 S	8/2005	Nagai	D586,834 S	2/2009	Andrews et al.
D508,934 S	8/2005	Nagai	D594,354 S	6/2009	Disselkoen et al.

* cited by examiner

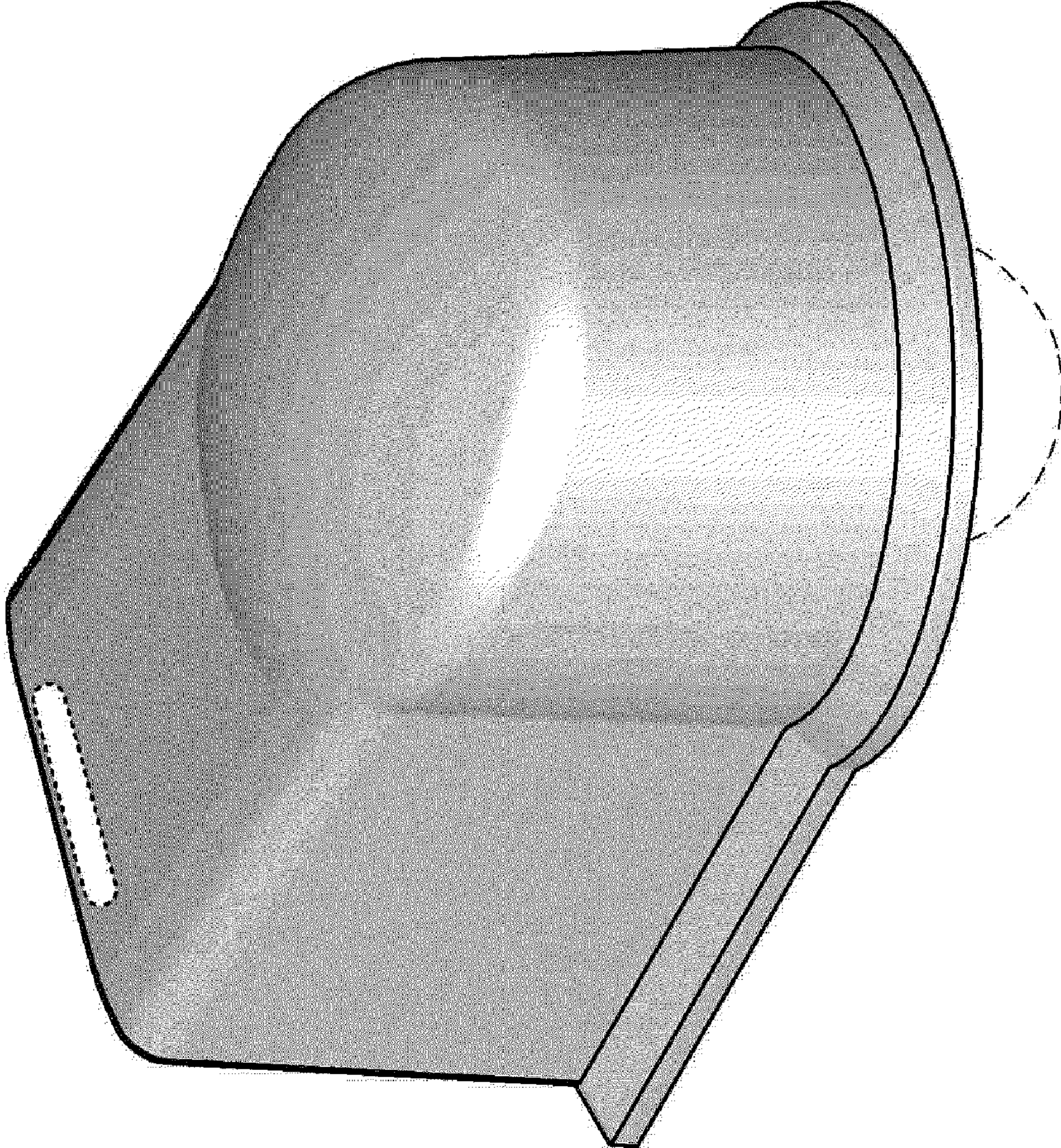


Fig. 1

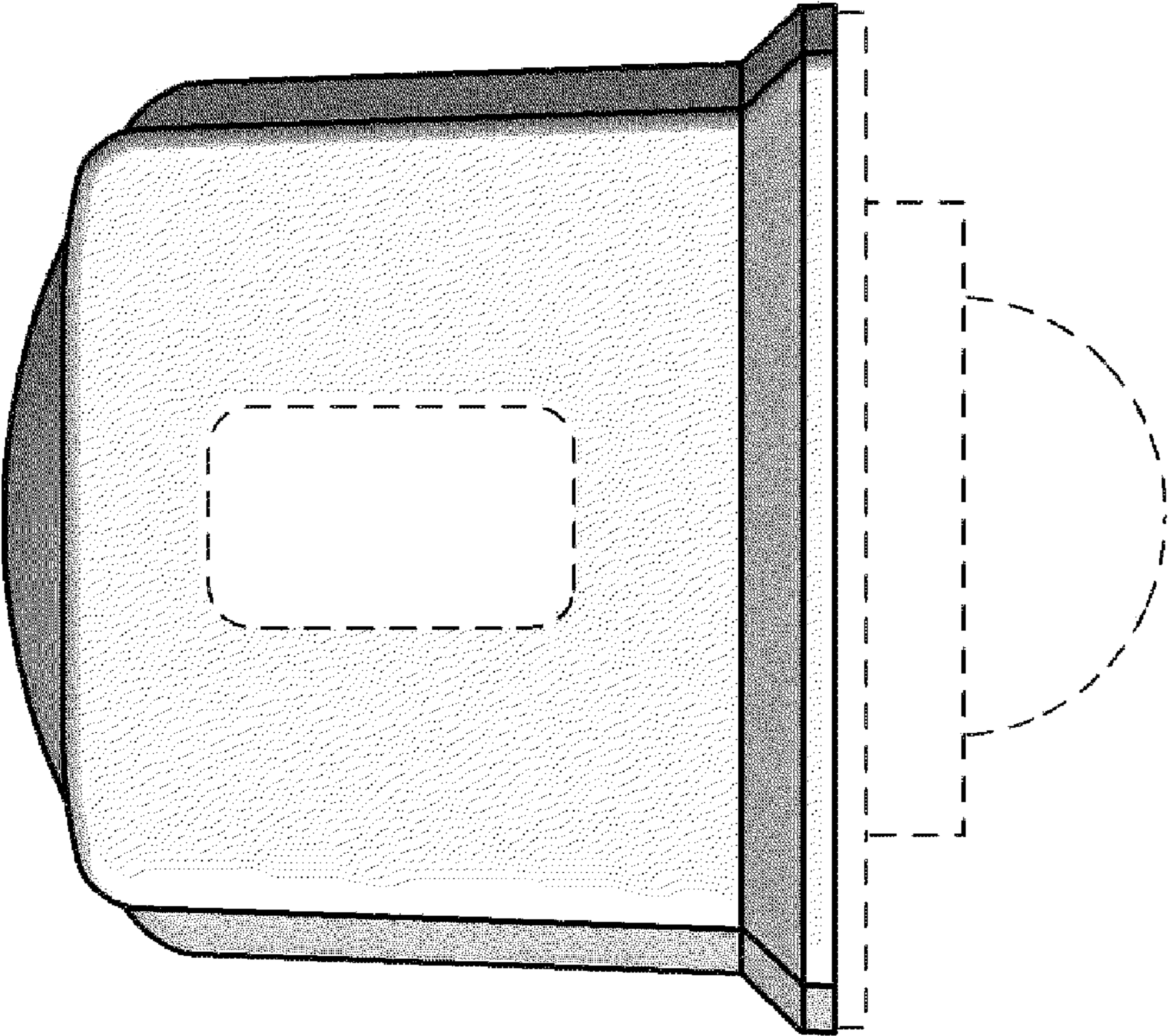


Fig. 3

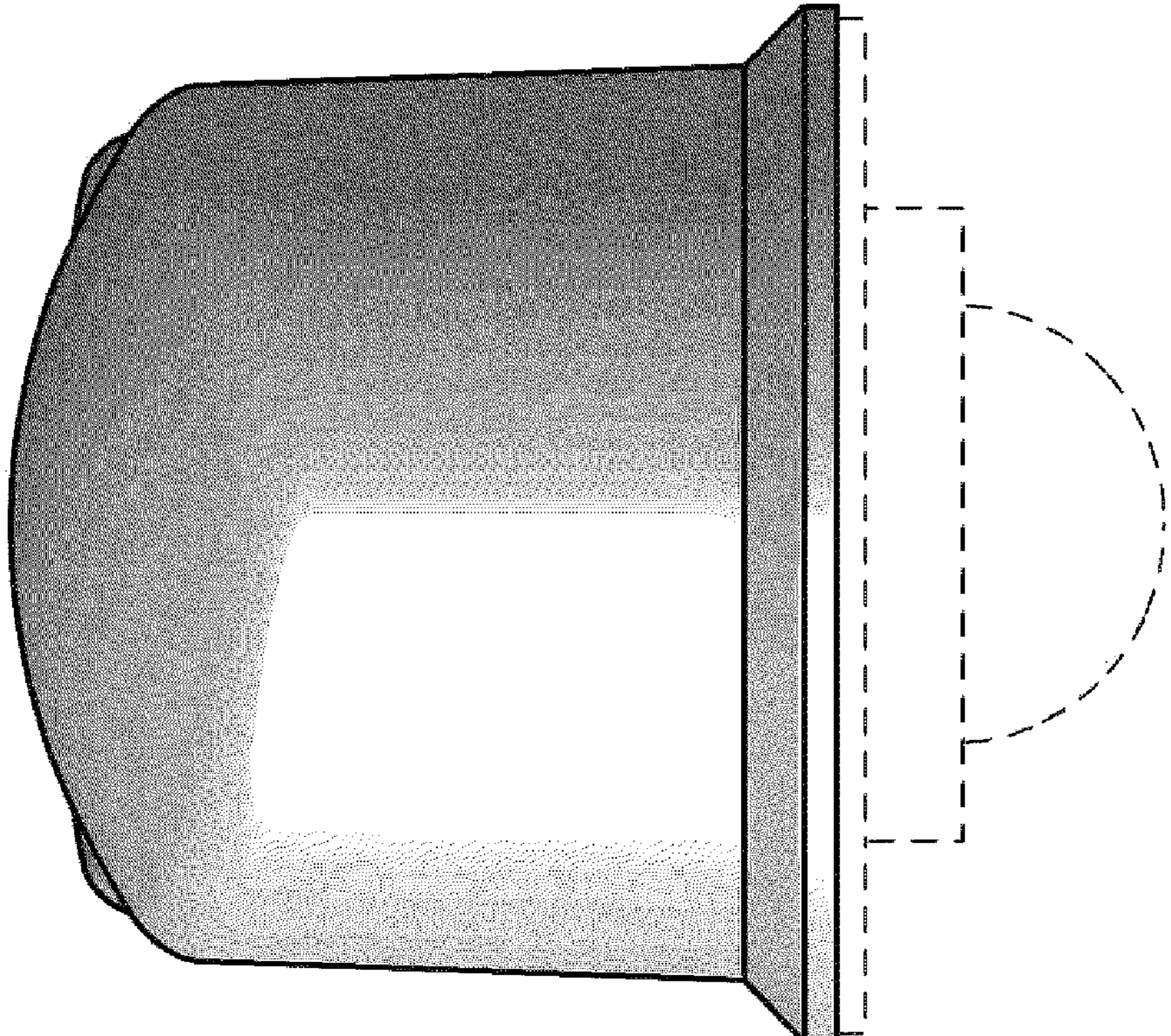


Fig. 2

Fig. 4

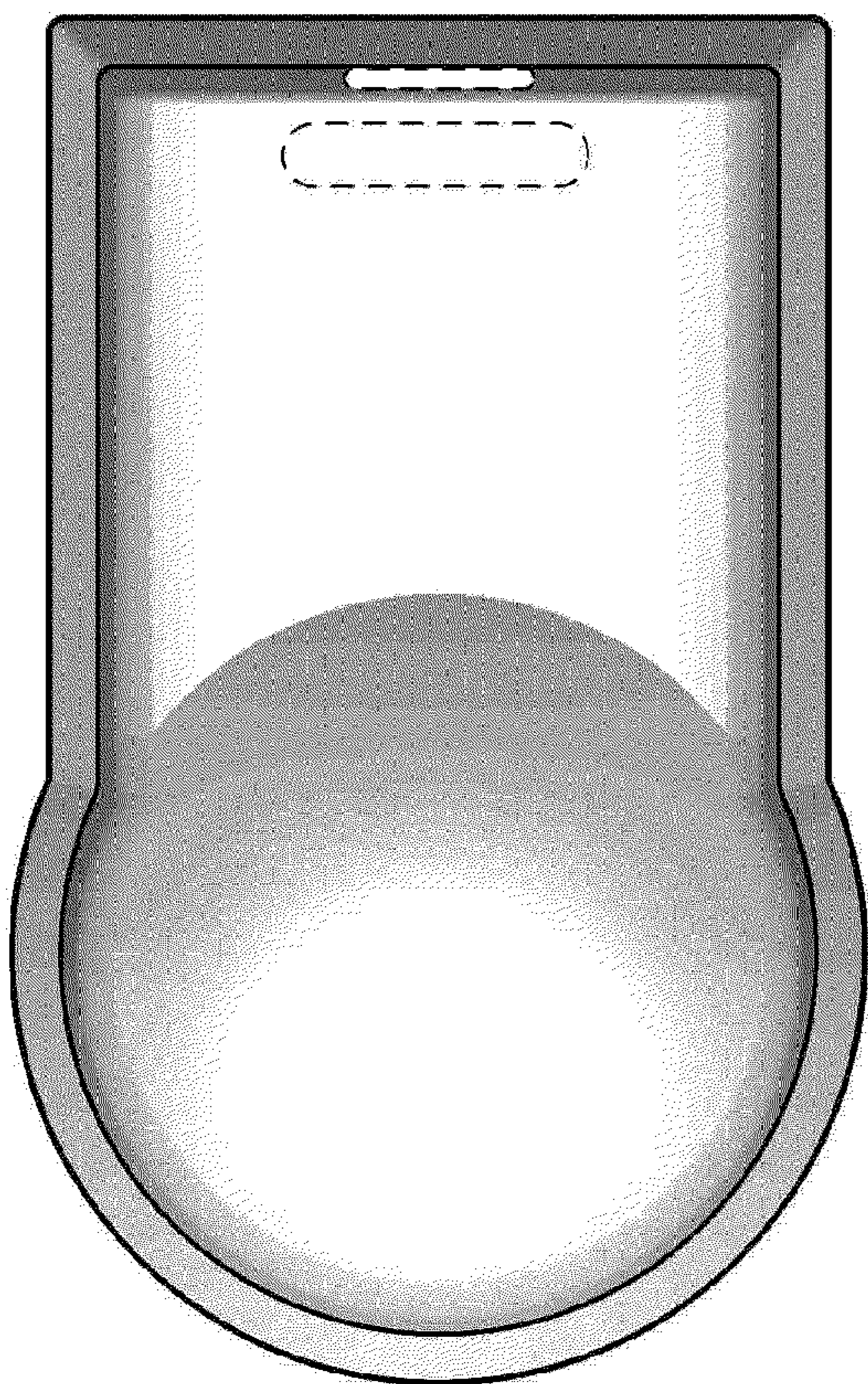
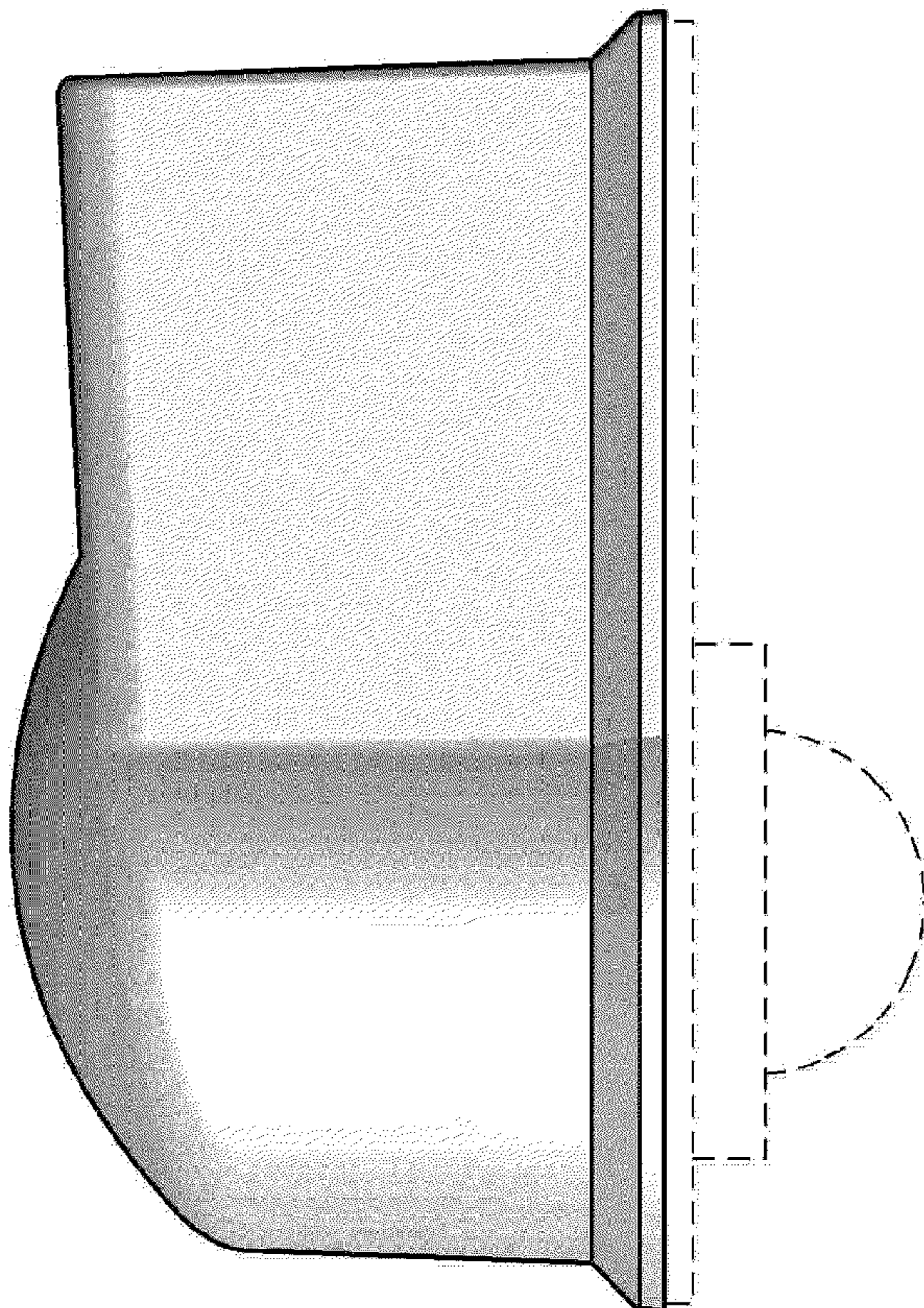


Fig. 5



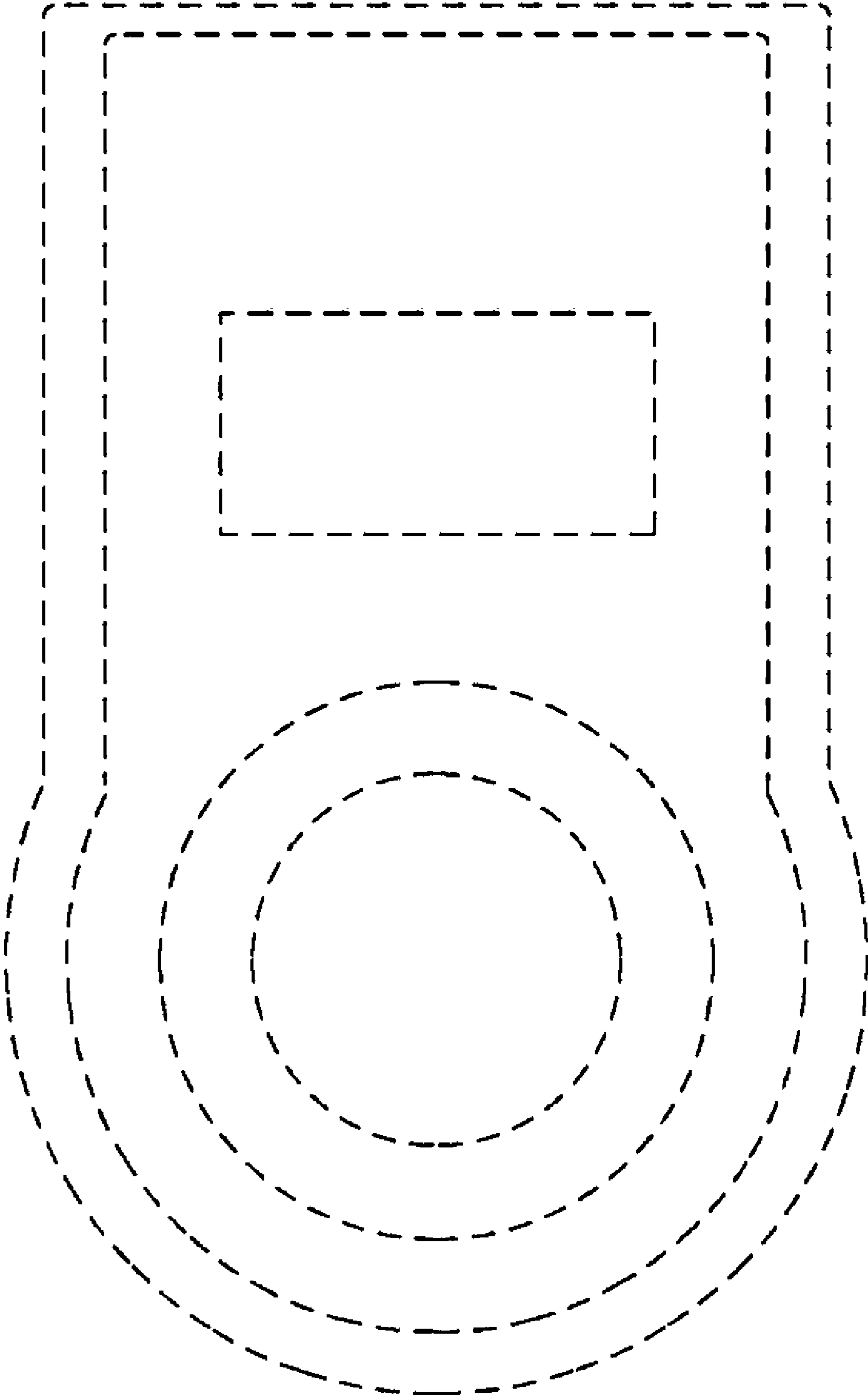


Fig. 6