



US00D620512S

(12) **United States Design Patent**  
**Kao**

(10) **Patent No.:** **US D620,512 S**  
(45) **Date of Patent:** **\*\* Jul. 27, 2010**

(54) **WIRELESS WEBCAM**

(75) Inventor: **Hsing-Yi Kao**, Tu-Cheng (TW)

(73) Assignee: **Cheng Uei Precision Industry Co., Ltd.**, Tu-Cheng, Taipei Hsien (TW)

(\*\*) Term: **14 Years**

(21) Appl. No.: **29/350,615**

(22) Filed: **Nov. 19, 2009**

(51) **LOC (9) Cl.** ..... **16-01**

(52) **U.S. Cl.** ..... **D16/202; D16/211**

(58) **Field of Classification Search** ..... D16/200–204, D16/208, 211, 218; 348/158, 373, 376; 396/535–541  
See application file for complete search history.

(56) **References Cited**

**U.S. PATENT DOCUMENTS**

D383,475	S *	9/1997	Yamauchi et al.	.....	D16/202
5,719,799	A *	2/1998	Isashi	.....	348/158
D543,569	S *	5/2007	Clark et al.	.....	D16/211
7,431,253	B2 *	10/2008	Yeh	.....	248/918
7,495,700	B2 *	2/2009	Watanabe	.....	348/373
7,526,325	B2 *	4/2009	Park et al.	.....	348/373
7,605,862	B2 *	10/2009	Hou	.....	348/373

2008/0143870 A1\* 6/2008 Tanaka et al. .... 348/373

\* cited by examiner

*Primary Examiner*—Adir Aronovich

(74) *Attorney, Agent, or Firm*—Cheng-Ju Chiang

(57) **CLAIM**

The ornamental design for a wireless webcam, as shown and described.

**DESCRIPTION**

FIG. 1 is a perspective view of a wireless webcam showing my new design;

FIG. 2 is a front elevational view thereof;

FIG. 3 is a rear elevational view thereof;

FIG. 4 is a left side elevational view thereof;

FIG. 5 is a right side elevational view thereof;

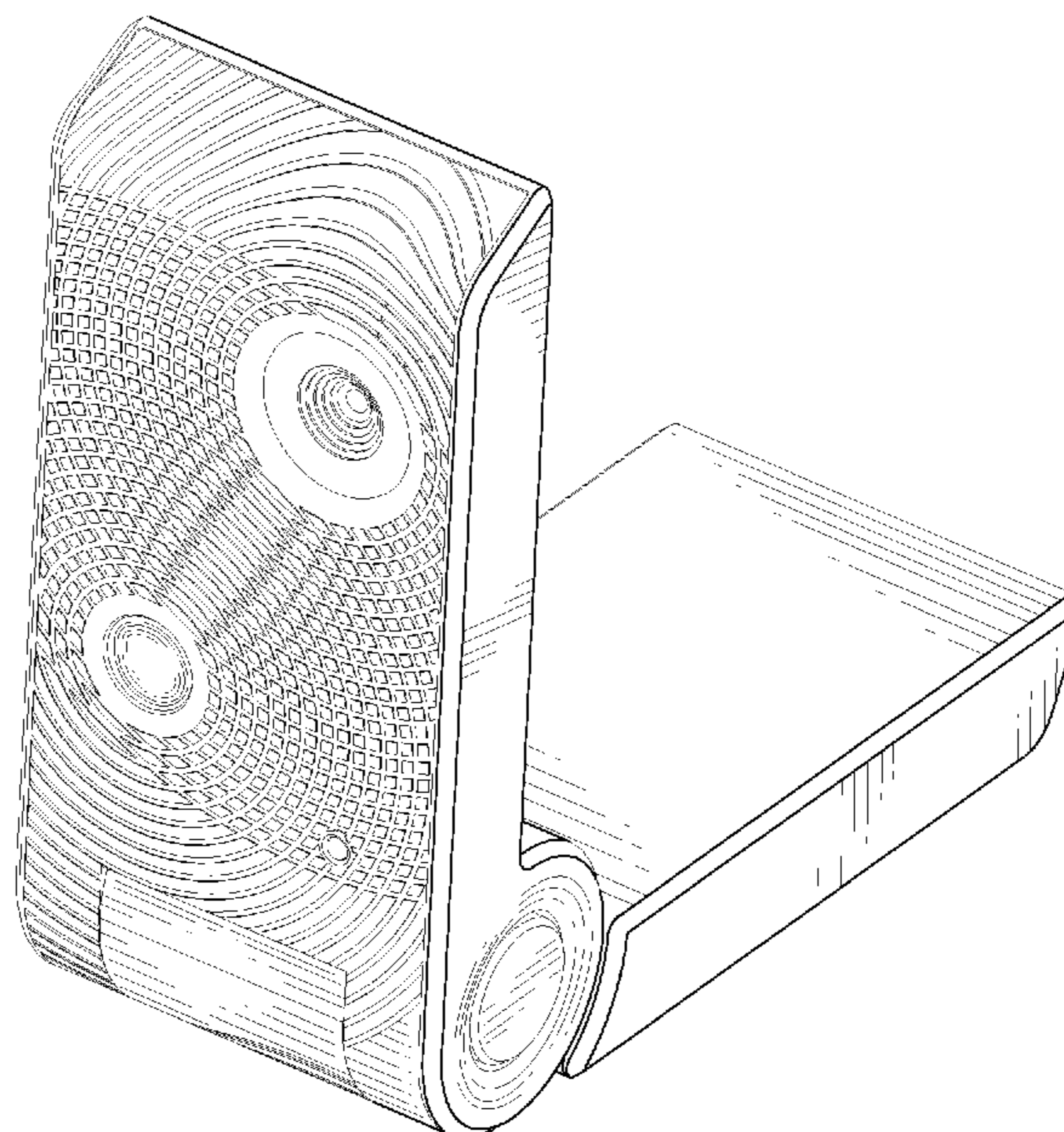
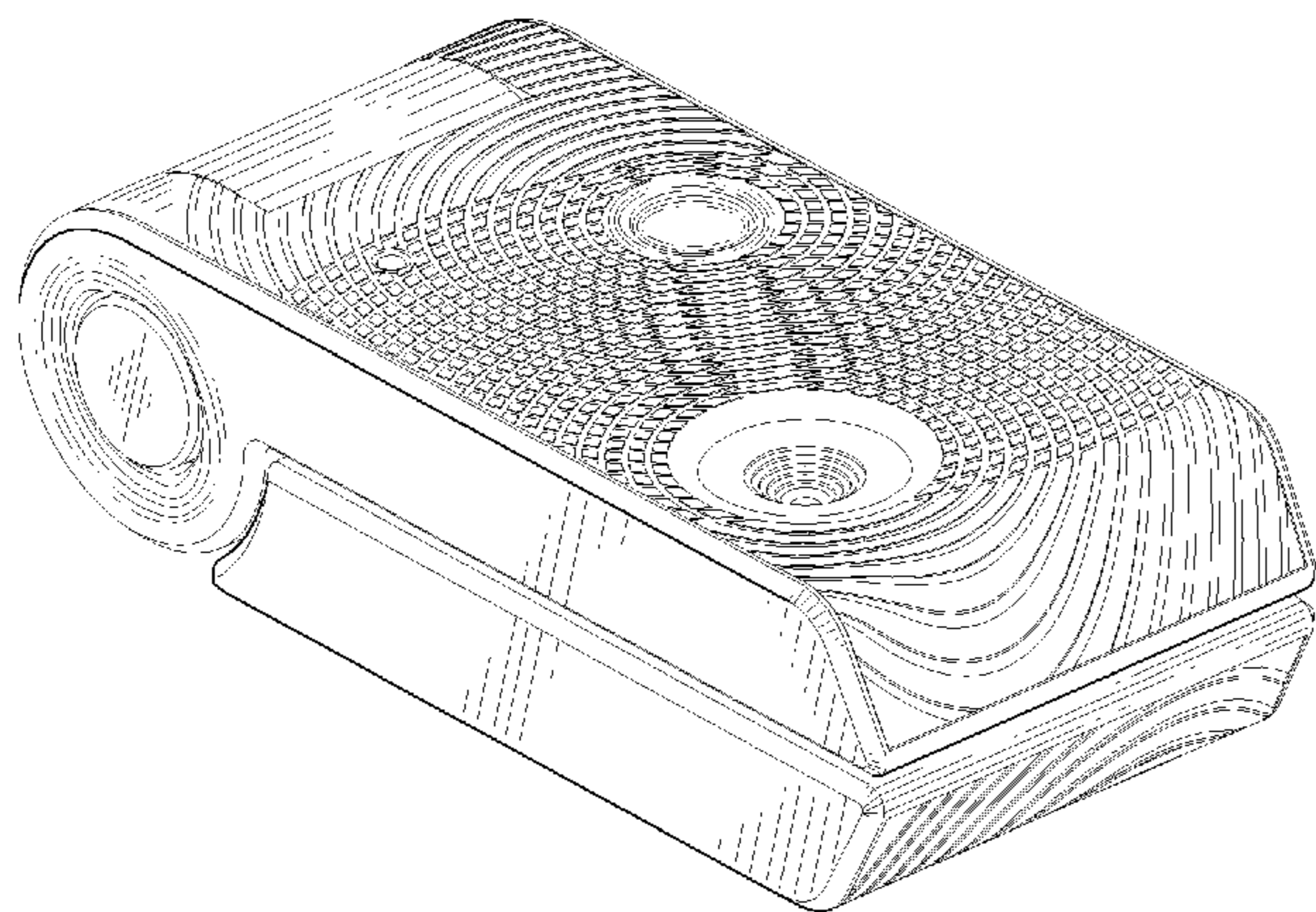
FIG. 6 is a top plan view thereof;

FIG. 7 is a bottom plan view thereof; and,

FIG. 8 is a perspective view showing the wireless webcam in a using status.

The broken lines in the Figures are for illustrative purposes and form no part of the claimed designs.

**1 Claim, 8 Drawing Sheets**



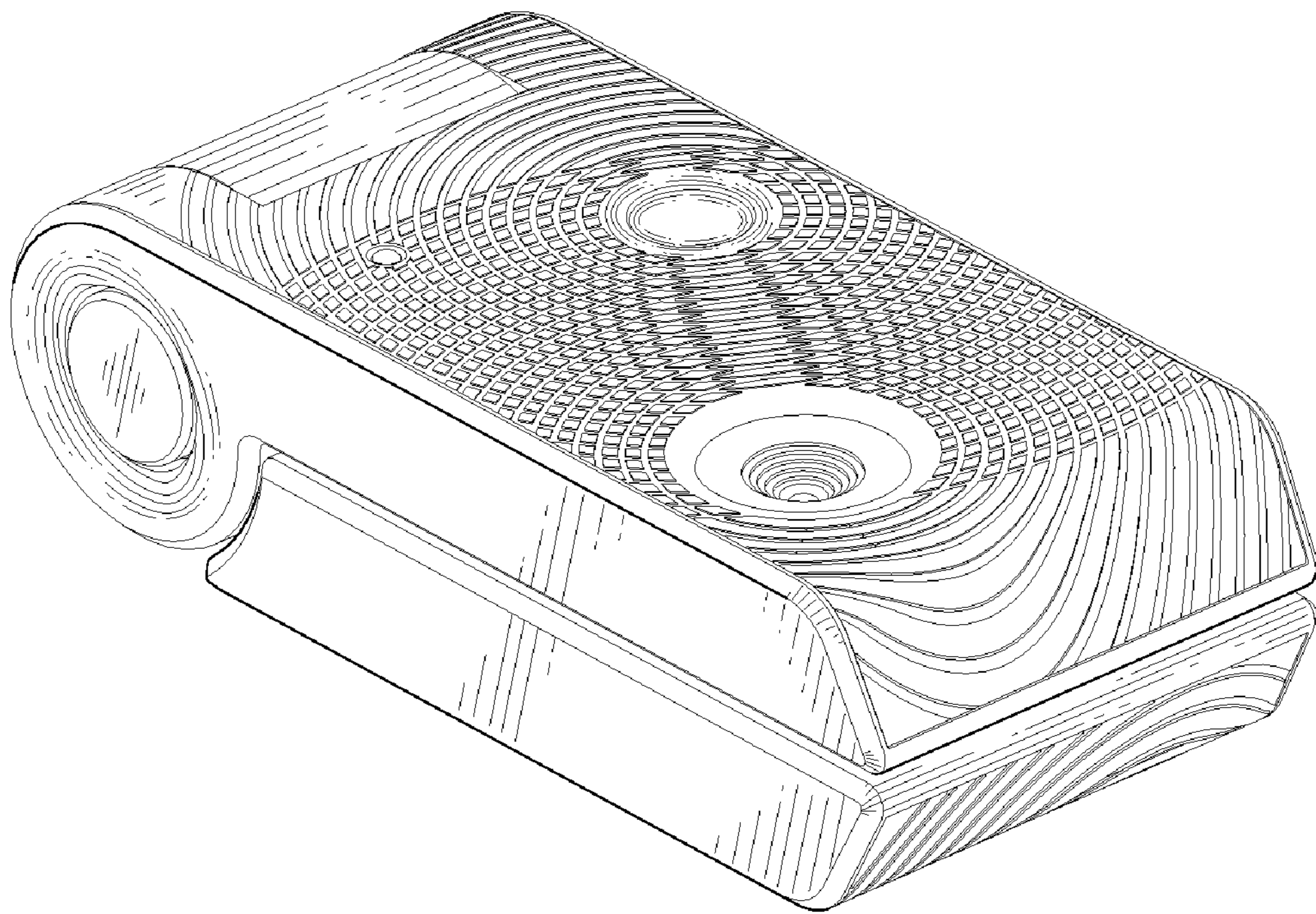


FIG. 1

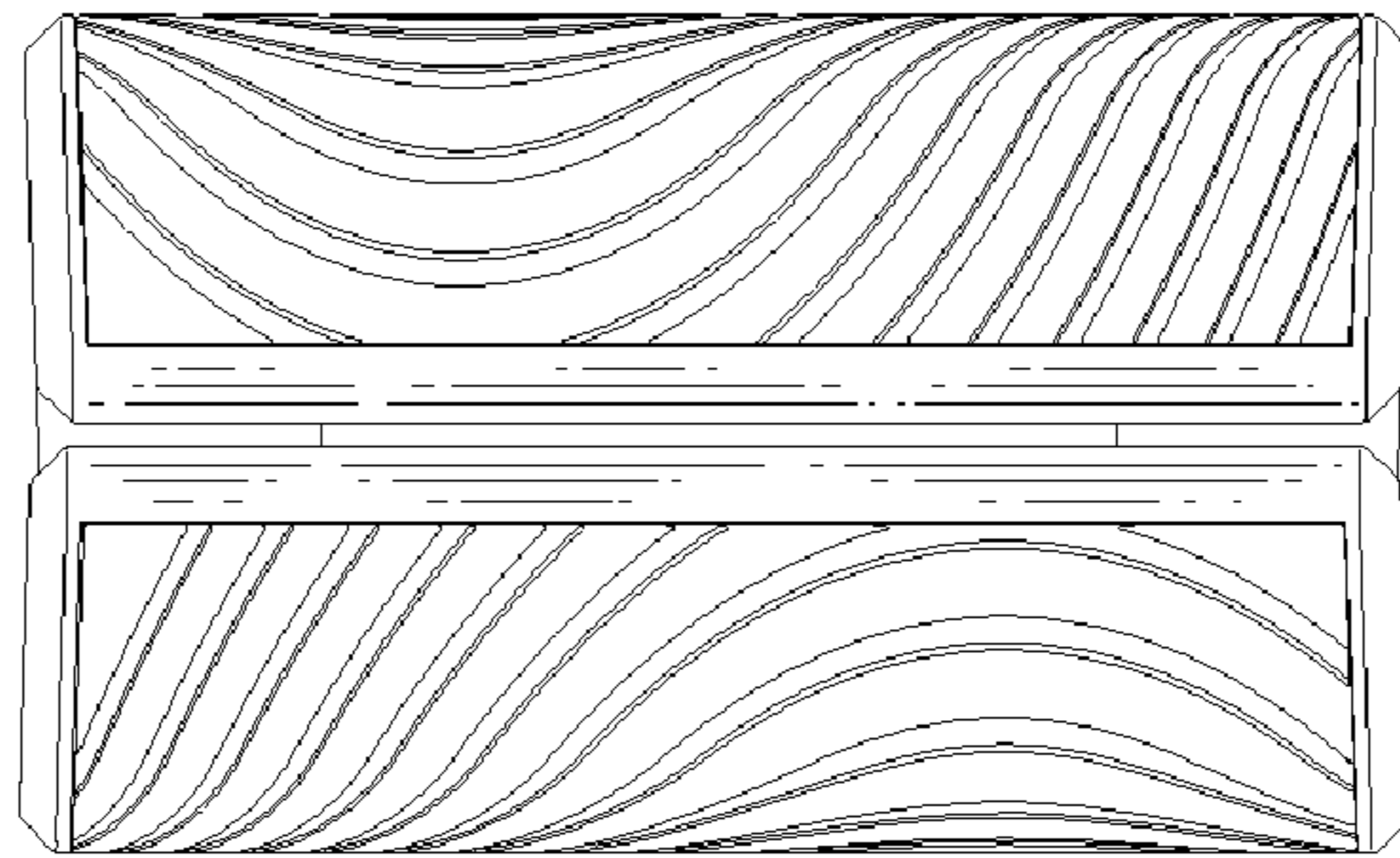


FIG. 2

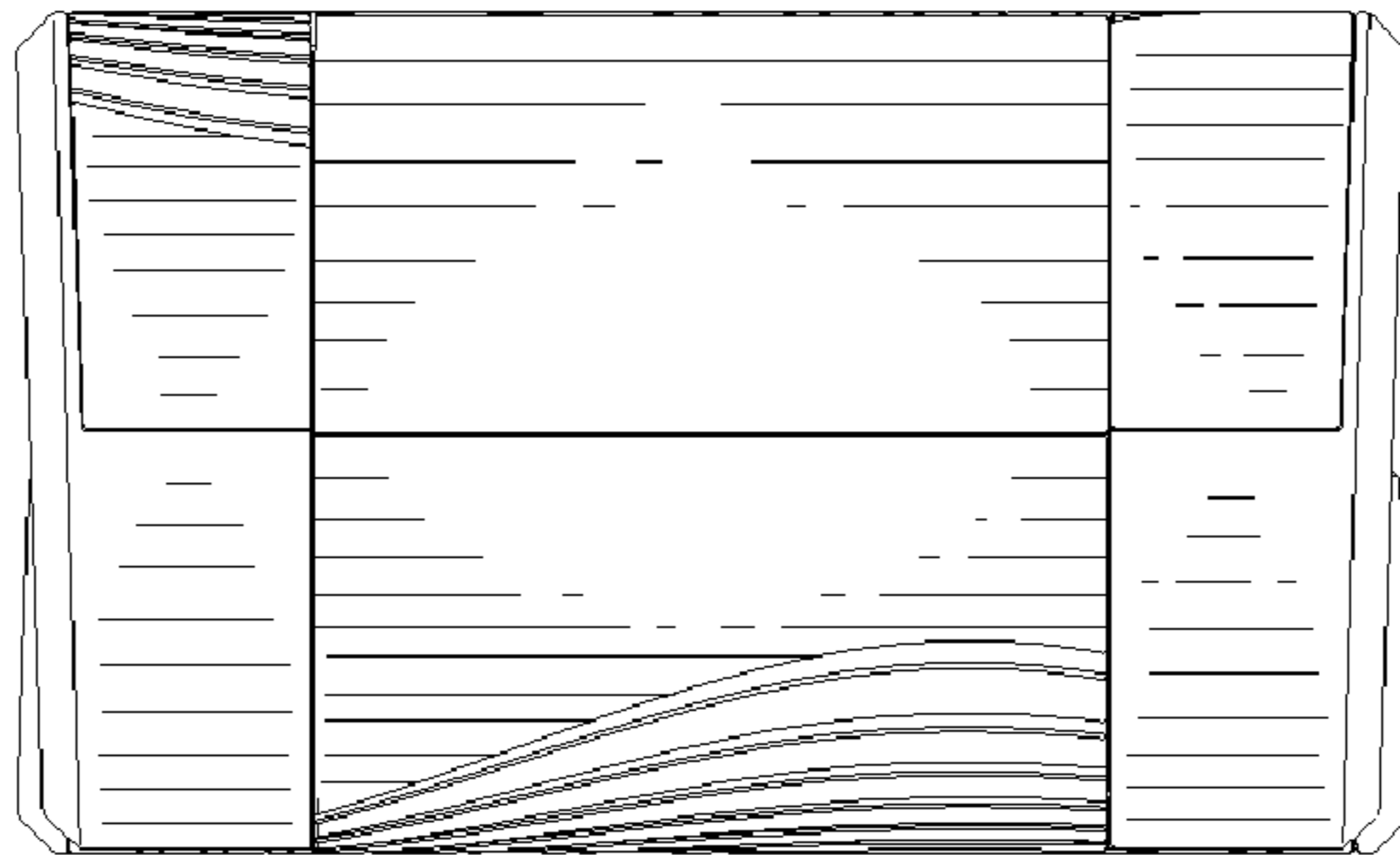


FIG. 3



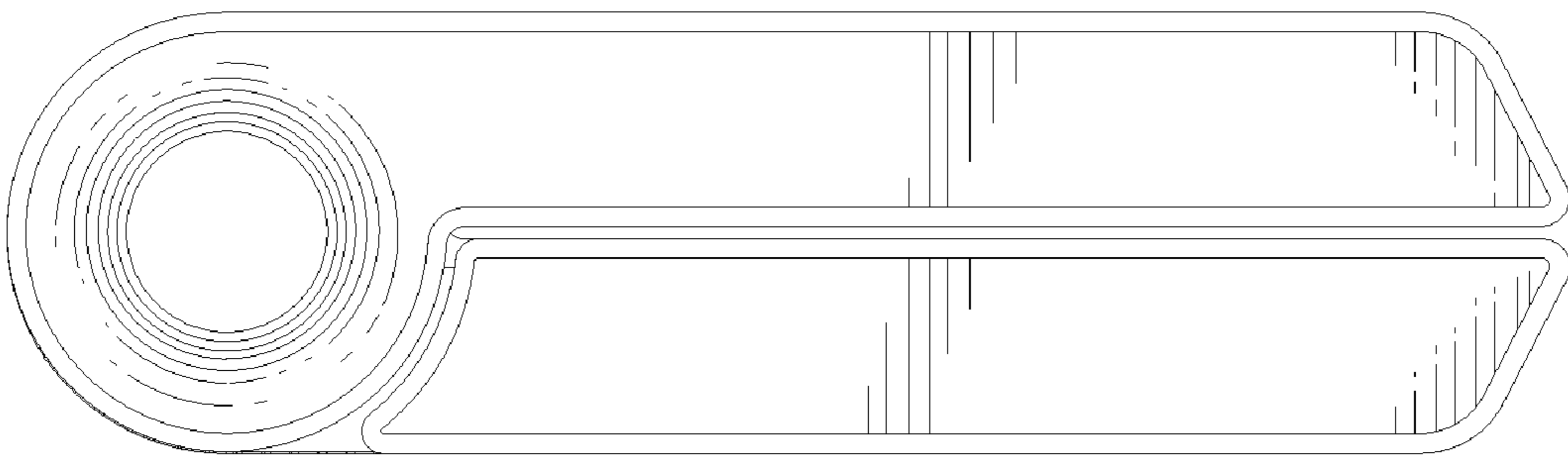


FIG. 4

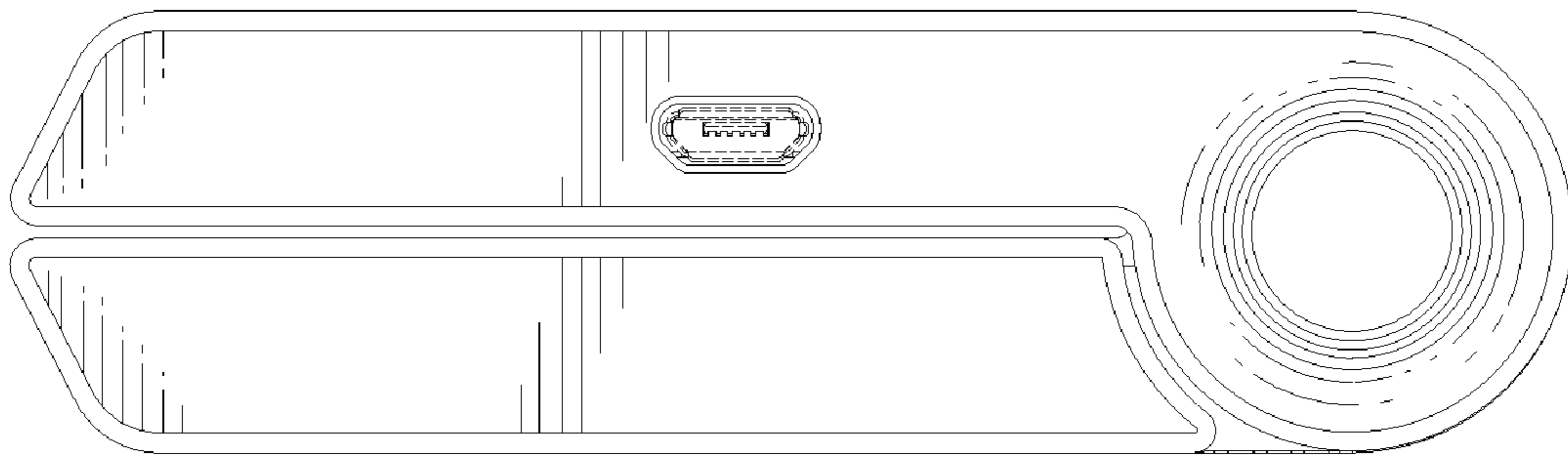


FIG. 5

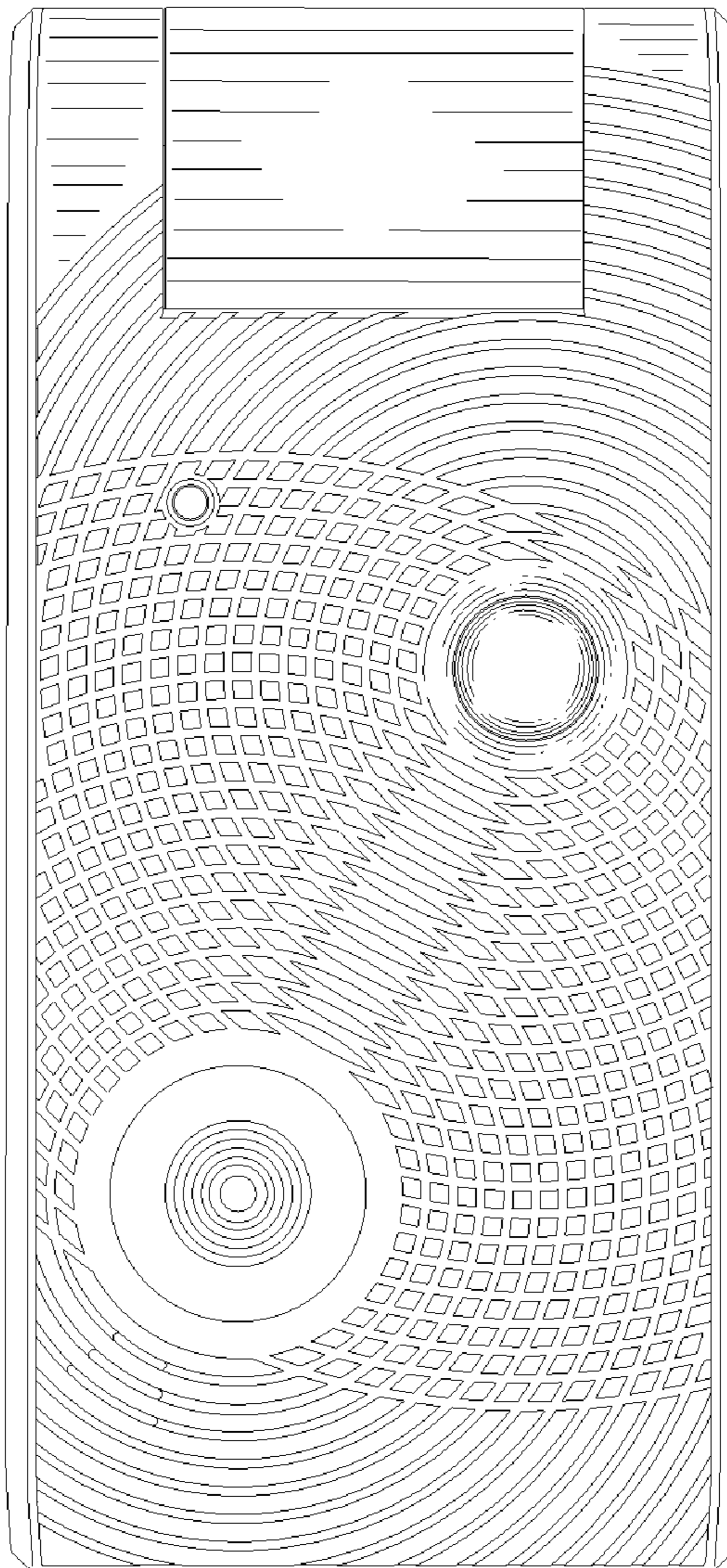


FIG. 6

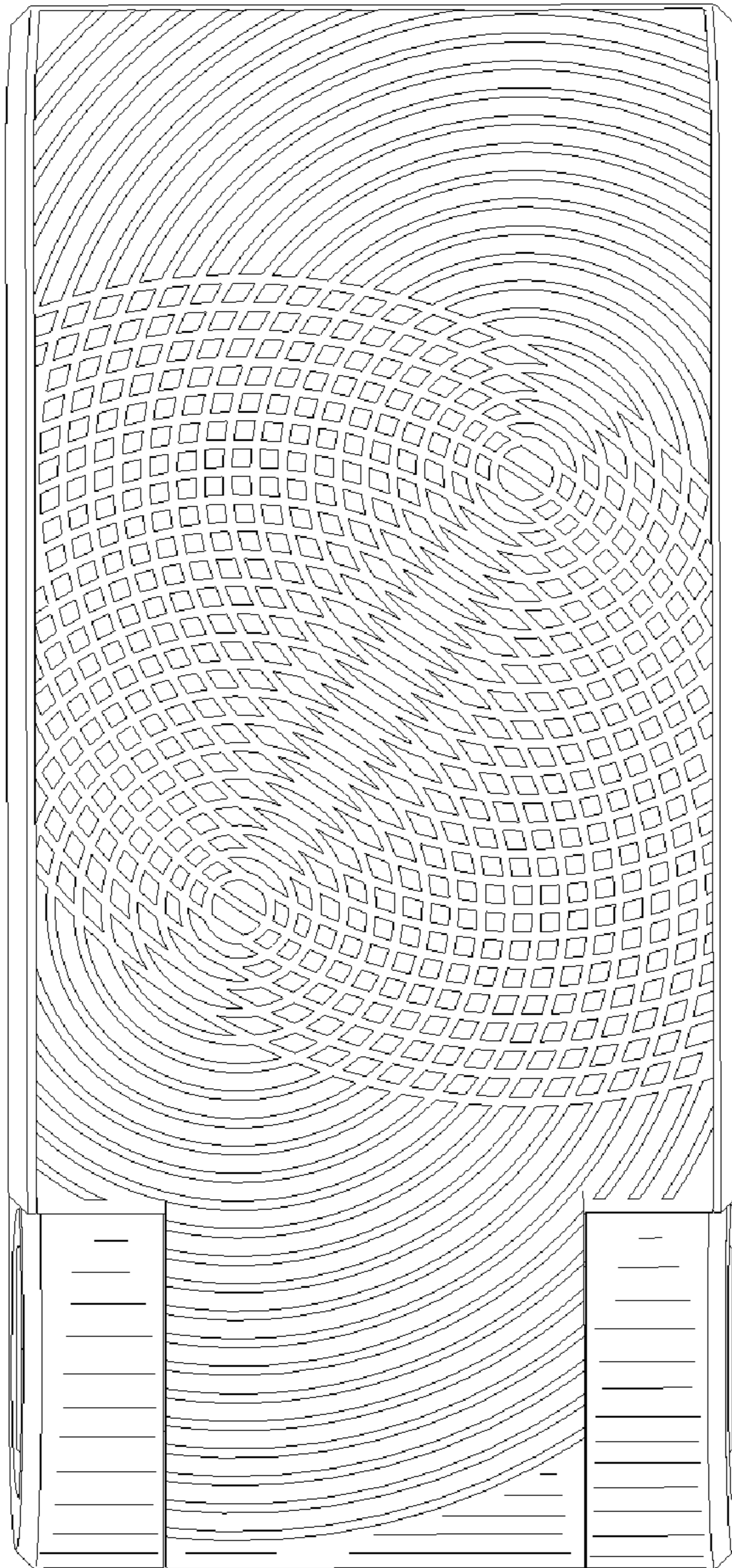


FIG. 7



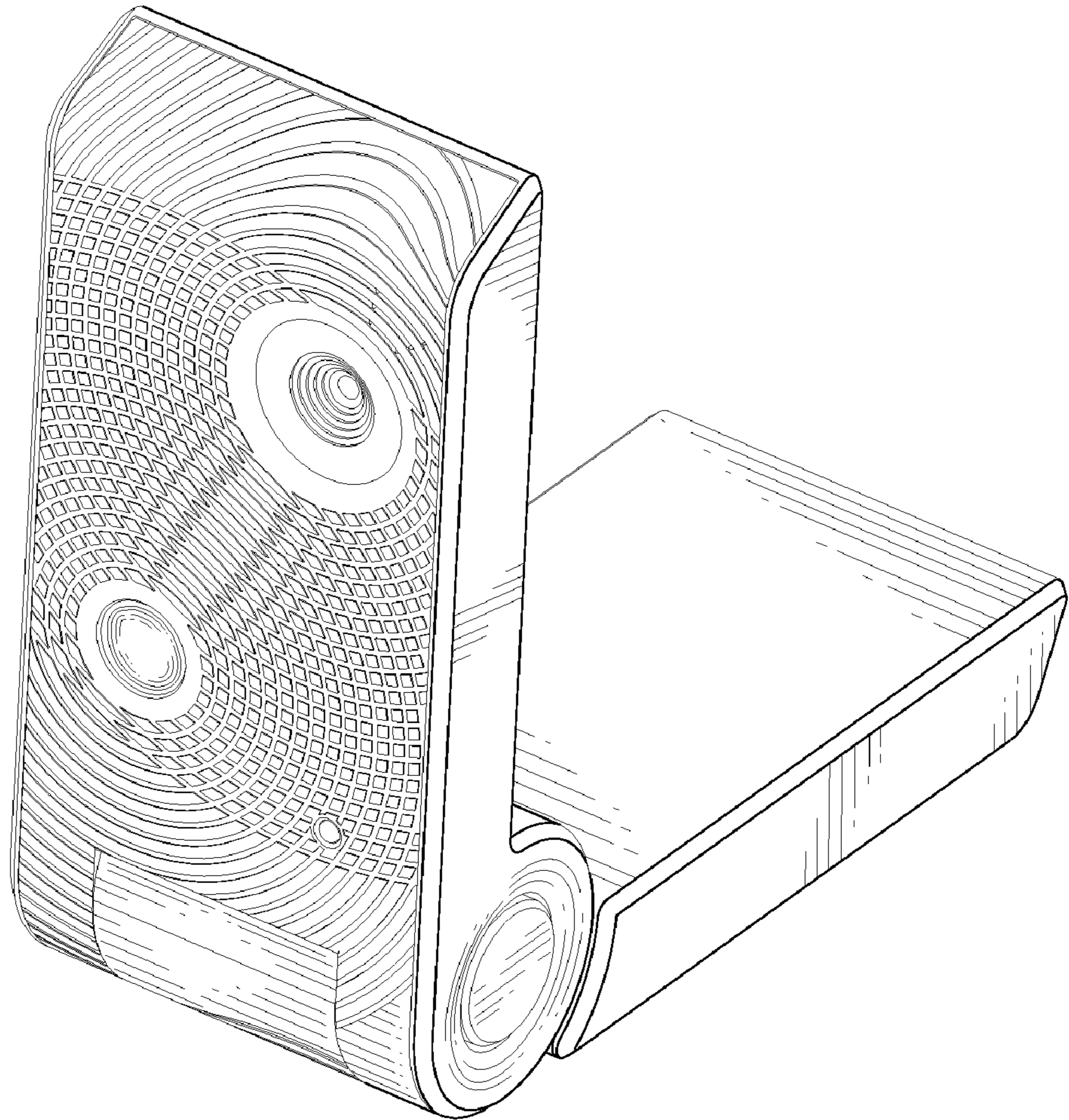


FIG. 8