



US00D620510S

(12) **United States Design Patent**
Hall

(10) **Patent No.:** **US D620,510 S**
(45) **Date of Patent:** **** Jul. 27, 2010**

(54) **DRILL BIT**

(75) Inventor: **David R. Hall**, Provo, UT (US)

(73) Assignee: **Schlumberger Technology Corporation**, Houston, TX (US)

(**) Term: **14 Years**

(21) Appl. No.: **29/304,177**

(22) Filed: **Feb. 26, 2008**

Related U.S. Application Data

(63) Continuation-in-part of application No. 11/837,321, filed on Aug. 10, 2007, now Pat. No. 7,559,379, which is a continuation-in-part of application No. 11/750,700, filed on May 18, 2007, now Pat. No. 7,549,489, which is a continuation-in-part of application No. 11/737,034, filed on Apr. 18, 2007, now Pat. No. 7,503,405, which is a continuation-in-part of application No. 11/686,638, filed on Mar. 15, 2007, now Pat. No. 7,424,922, which is a continuation-in-part of application No. 11/680,997, filed on Mar. 1, 2007, now Pat. No. 7,419,016, which is a continuation-in-part of application No. 11/673,872, filed on Feb. 12, 2007, now Pat. No. 7,484,576, which is a continuation-in-part of application No. 11/611,310, filed on Dec. 15, 2006, now Pat. No. 7,600,586, application No. 29/304,144, which is a continuation-in-part of application No. 11/278,935, filed on Apr. 6, 2006, now Pat. No. 7,426,968, which is a continuation-in-part of application No. 11/277,294, filed on Mar. 23, 2006.

(51) **LOC (9) Cl.** **15-09**

(52) **U.S. Cl.** **D15/139; D15/131**

(58) **Field of Classification Search** D15/131, D15/132, 138, 139, 140; 175/377, 378, 393, 175/415, 417, 418, 420.1, 429, 430; 177/378, 177/379, 385, 393, 418, 420.1, 421, 427, 177/429, 430, 431, 432; 299/29, 79.1

See application file for complete search history.

(56)

References Cited

U.S. PATENT DOCUMENTS

616,118 A	12/1889	Kunhe
465,103 A	12/1891	Wegner
946,060 A	1/1910	Looker
1,116,154 A	11/1914	Stowers
1,183,630 A	5/1916	Bryson
1,189,560 A	7/1916	Gondos
1,360,908 A	11/1920	Everson
1,387,733 A	6/1921	Midgett
1,460,671 A	7/1923	Hebsacker
1,544,757 A	7/1925	Hufford
2,169,223 A	8/1931	Christian

(Continued)

Primary Examiner—Sandra Snapp

Assistant Examiner—Patricia Palasik

(74) *Attorney, Agent, or Firm*—Holme Roberts & Owens LLP

(57)

CLAIM

The ornamental design for a drill bit, as shown and described.

DESCRIPTION

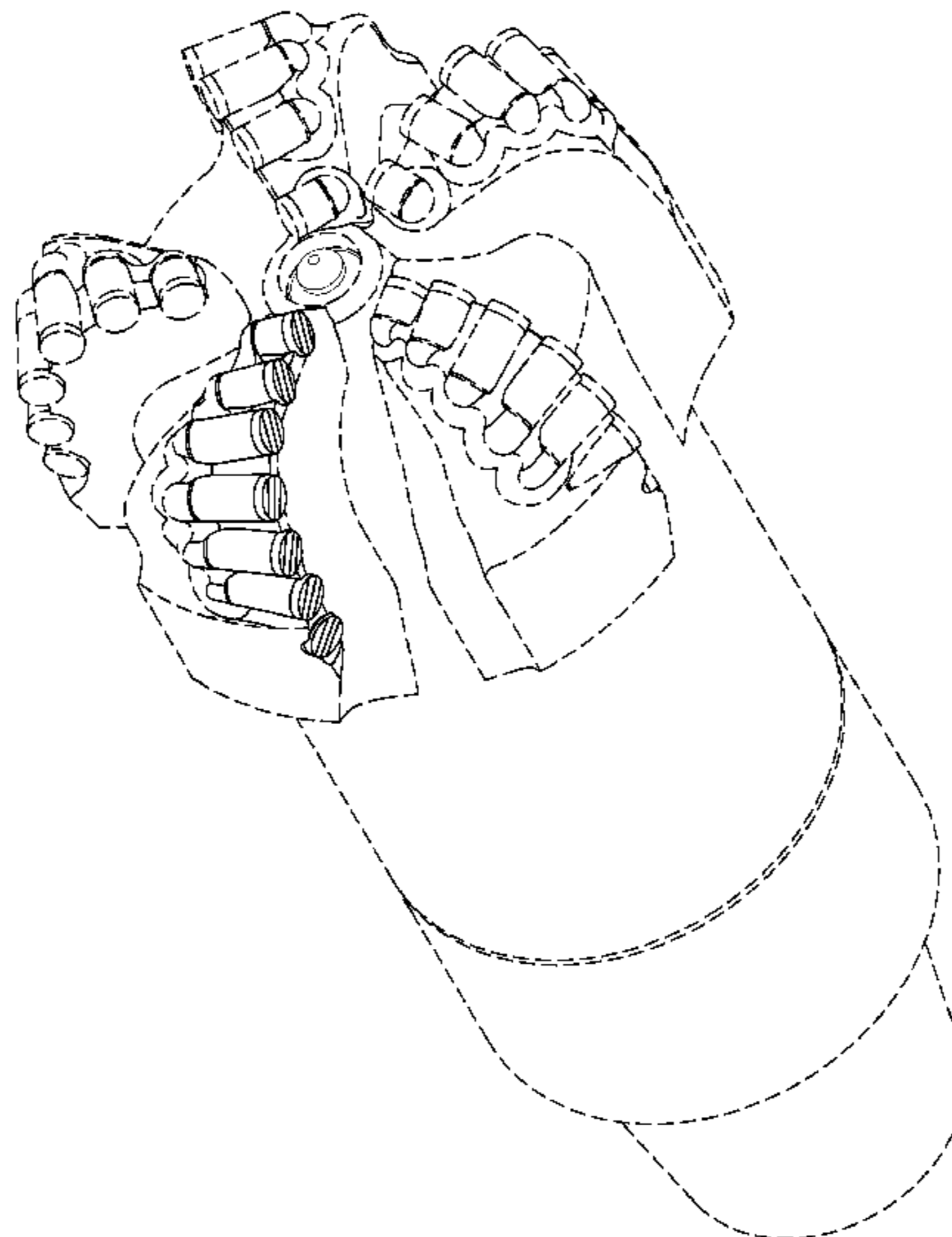
FIG. 1 is a bottom perspective view of the drill bit.

FIG. 2 is a side view of the drill bit with an enlarged detail; and,

FIG. 3 is a perspective view of the drill bit.

The broken line showing of the drill bit is included for the purpose of illustrating portions of the drill bit and forms no part of the claimed invention.

1 Claim, 2 Drawing Sheets



US D620,510 S

U.S. PATENT DOCUMENTS				
		5,947,215	A	9/1999 Lundell
		5,950,743	A	9/1999 Cox
		5,957,223	A	9/1999 Doster
		5,957,225	A	9/1999 Sinor
		5,967,247	A	10/1999 Pessier
		5,979,571	A	11/1999 Scott
		5,992,547	A	11/1999 Caraway
		5,992,548	A	11/1999 Silva
		6,021,859	A	2/2000 Tibbitts
		6,039,131	A	3/2000 Beaton
		6,131,675	A	10/2000 Anderson
		6,150,822	A	11/2000 Hong
		6,186,251	B1	2/2001 Butcher
		6,199,956	B1 *	3/2001 Kammerer 299/111
		6,202,761	B1	3/2001 Forney
		6,213,226	B1	4/2001 Eppink
		6,223,824	B1	5/2001 Moyes
		6,269,893	B1	8/2001 Beaton
		6,296,069	B1	10/2001 Lamine
		6,340,064	B2	1/2002 Fielder
		6,364,034	B1	4/2002 Schoeffler
		6,394,200	B1	5/2002 Watson
		6,439,326	B1	8/2002 Huang
		6,474,425	B1	11/2002 Truax
		6,478,383	B1 *	11/2002 Ojanen et al. 299/104
		6,484,825	B2	11/2002 Watson
		6,510,906	B1	1/2003 Richert
		6,513,606	B1	2/2003 Krueger
		6,533,050	B2	3/2003 Molloy
		6,594,881	B2	7/2003 Tibbitts
		6,601,454	B1	8/2003 Botnan
		6,622,803	B2	9/2003 Harvey
		6,666,949	B1	12/2003 Rives
		6,729,420	B2	5/2004 Mensa-Wilmot
		6,732,817	B2	5/2004 Dewey
		D492,331	S *	6/2004 Matti D15/139
		D496,948	S *	10/2004 Charland et al. D15/139
		6,822,579	B2	11/2004 Goswani
		6,929,076	B2	4/2005 Fanuel
		6,953,096	B2	10/2005 Glenhill
		7,025,155	B1 *	4/2006 Estes 175/413
		3,301,339	A1	9/2006 Pennebaker
		7,204,560	B2 *	4/2007 Mercier et al. 299/105
		D566,137	S *	4/2008 Hall et al. D15/21
		7,360,612	B2 *	4/2008 Chen et al. 175/372
		D572,735	S *	7/2008 Kammerer D15/139
		2001/0007290	A1 *	7/2001 Saxman 175/374
		2002/0079139	A1 *	6/2002 Mensa-Wilmot et al. 175/408
		2002/0079140	A1 *	6/2002 Eyre et al. 175/432
		2002/0175555	A1 *	11/2002 Mercier 299/107
		2003/0209366	A1 *	11/2003 McAlvain 175/427
		2003/0213621	A1	11/2003 Britten
		2004/0026132	A1 *	2/2004 Hall et al. 175/427
		2004/0065484	A1 *	4/2004 McAlvain 175/434
		2004/0238221	A1	12/2004 Runia
		2004/0256155	A1	12/2004 Kriesels
		2005/0082093	A1 *	4/2005 Keshavan et al. 175/374
		2006/0033379	A1 *	2/2006 Frear 299/107
		2006/0196699	A1 *	9/2006 Estes et al. 175/374
		2006/0207802	A1 *	9/2006 Zhang et al. 175/374
		2006/0283640	A1 *	12/2006 Estes et al. 175/434
		2007/0029116	A1 *	2/2007 Keshavan 175/428
		2007/0205023	A1 *	9/2007 Hoffmaster et al. 175/408
		2007/0272448	A1 *	11/2007 Griffio 175/426
		2007/0277651	A1 *	12/2007 Calnan et al. 76/108.4
		2008/0006448	A1 *	1/2008 Zhang et al. 175/430
		2008/0011521	A1 *	1/2008 Hall et al. 175/432
		2008/0029312	A1 *	2/2008 Hall et al. 175/429
		2008/0073126	A1 *	3/2008 Shen et al. 175/434
		2008/0230278	A9 *	9/2008 Hoffmaster et al. 175/408
1,821,474	A	9/1931	Mercer	
1,879,177	A	9/1932	Gault	
2,054,255	A	9/1936	Howard	
2,064,255	A	12/1936	Garfield	
2,218,130	A	10/1940	Court	
2,320,136	A	5/1943	Kammerer	
2,466,991	A	4/1949	Kammerer	
2,540,464	A	2/1951	Stokes	
2,544,036	A	3/1951	Kammerer	
2,755,071	A	7/1956	Kammerer	
2,776,819	A	1/1957	Brown	
2,819,043	A	1/1958	Henderson	
2,838,284	A	6/1958	Austin	
2,894,722	A	7/1959	Buttolph	
2,901,223	A	8/1959	Scott	
2,963,102	A	12/1960	Smith	
3,135,341	A	6/1964	Ritter	
3,294,186	A	12/1966	Buell	
3,379,264	A	4/1968	Cox	
3,429,390	A	2/1969	Bennett	
3,493,165	A	2/1970	Schonfield	
3,583,504	A	6/1971	Aalund	
3,764,493	A	10/1973	Rosar	
3,821,993	A	7/1974	Kniff	
3,955,635	A	5/1976	Skidmore	
3,960,223	A	6/1976	Kleine	
4,081,042	A	3/1978	Johnson	
4,096,917	A	6/1978	Harris	
4,106,577	A	8/1978	Summers	
4,176,723	A	12/1979	Arceneaux	
4,253,533	A	3/1981	Baker	
4,280,573	A	7/1981	Sudnishnikov	
4,304,312	A	12/1981	Larsson	
4,307,786	A	12/1981	Evans	
4,343,371	A *	8/1982	Baker et al. 175/430	
4,397,361	A	8/1983	Langford	
4,416,339	A	11/1983	Baker	
4,445,580	A	5/1984	Sahley	
4,448,269	A	5/1984	Ishikawa	
4,499,795	A	2/1985	Radtke	
4,531,592	A	7/1985	Hayatdavoudi	
4,535,853	A	8/1985	Ippolito	
4,538,691	A	9/1985	Dennis	
4,566,545	A	1/1986	Story	
4,574,895	A	3/1986	Dolezal	
4,640,374	A	2/1987	Dennis	
4,852,672	A	8/1989	Behrens	
4,889,017	A	12/1989	Fuller	
4,962,822	A	10/1990	Pascale	
4,981,184	A	1/1991	Knowlton	
5,009,273	A	4/1991	Grabinski	
5,027,914	A	7/1991	Wilson	
5,038,873	A	8/1991	Jurgens	
5,119,892	A	6/1992	Clegg	
5,141,063	A	8/1992	Quesenbury	
5,186,268	A	2/1993	Clegg	
5,222,566	A	6/1993	Taylor	
5,255,749	A	10/1993	Bumpurs	
5,265,682	A	11/1993	Russell	
5,361,859	A	11/1994	Tibbitts	
5,410,303	A	4/1995	Comeau	
5,417,292	A	5/1995	Polakoff	
5,423,389	A	6/1995	Warren	
5,507,357	A	4/1996	Hult	
5,560,440	A	10/1996	Tibbitts	
5,568,838	A	10/1996	Struthers	
5,655,614	A	8/1997	Azar	
5,678,644	A	10/1997	Fielder	
5,732,784	A	3/1998	Nelson	
5,794,728	A	8/1998	Palmberg	
5,896,938	A	4/1999	Moeny	

* cited by examiner

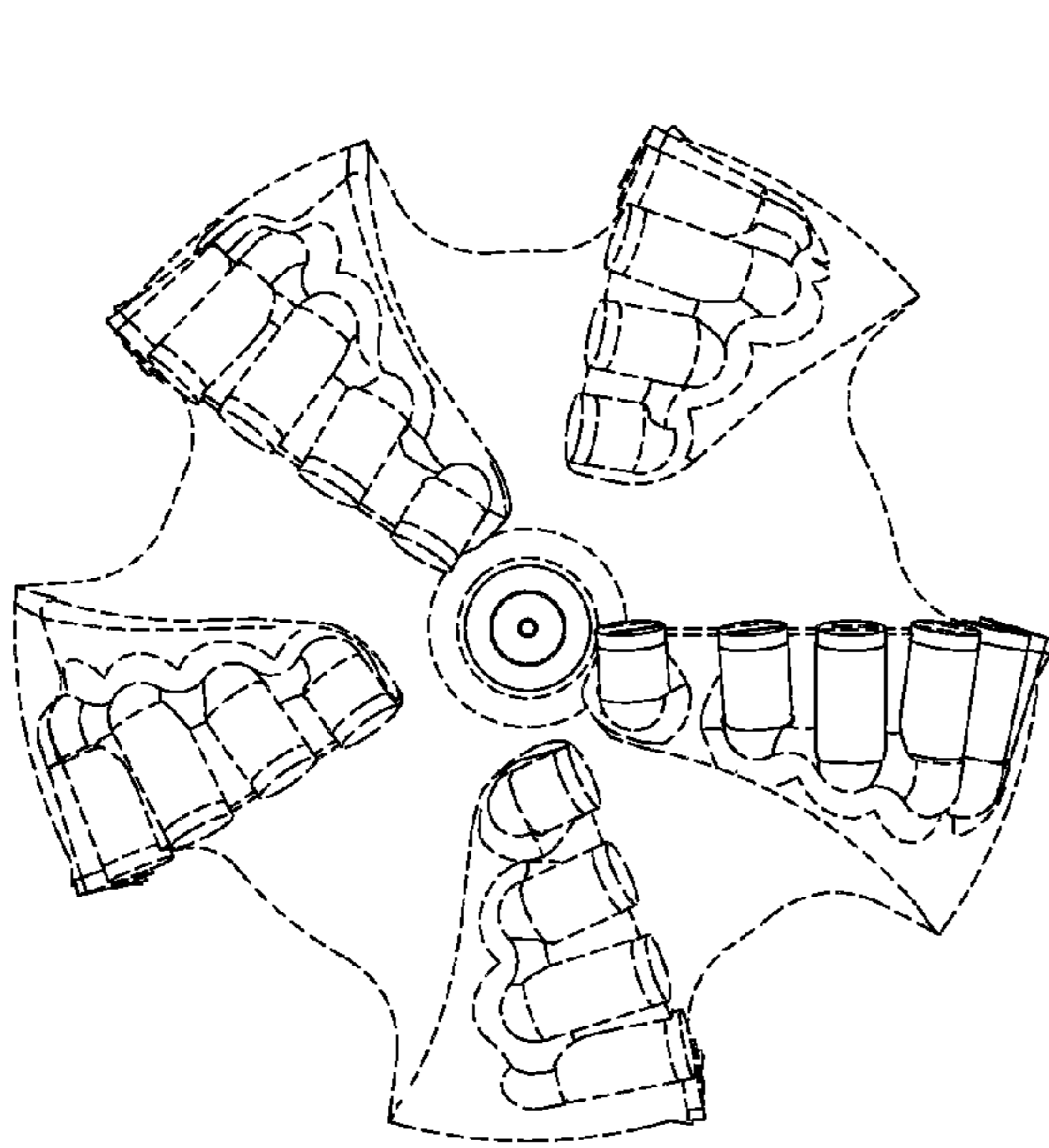


Fig. 1

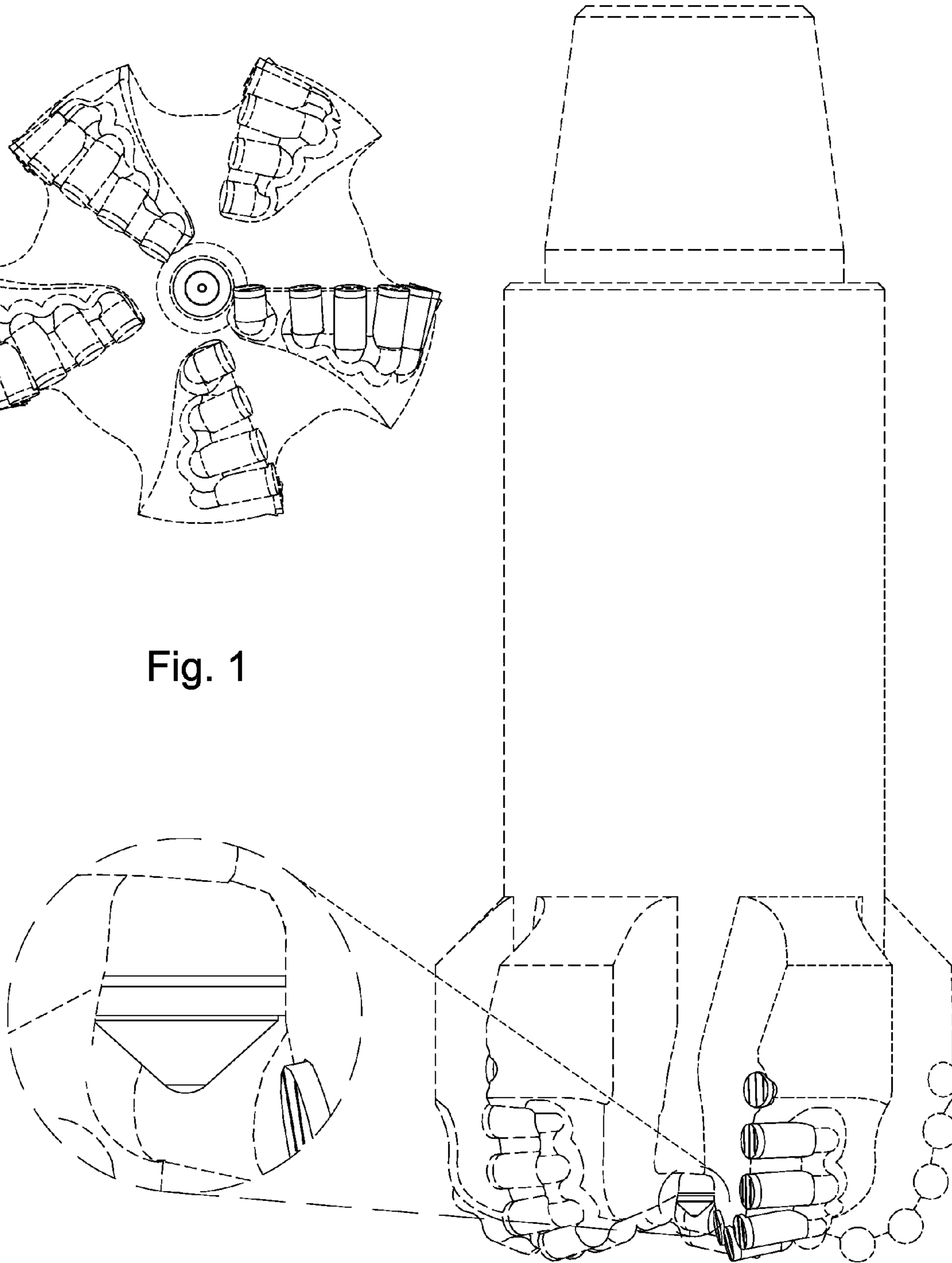


Fig. 2

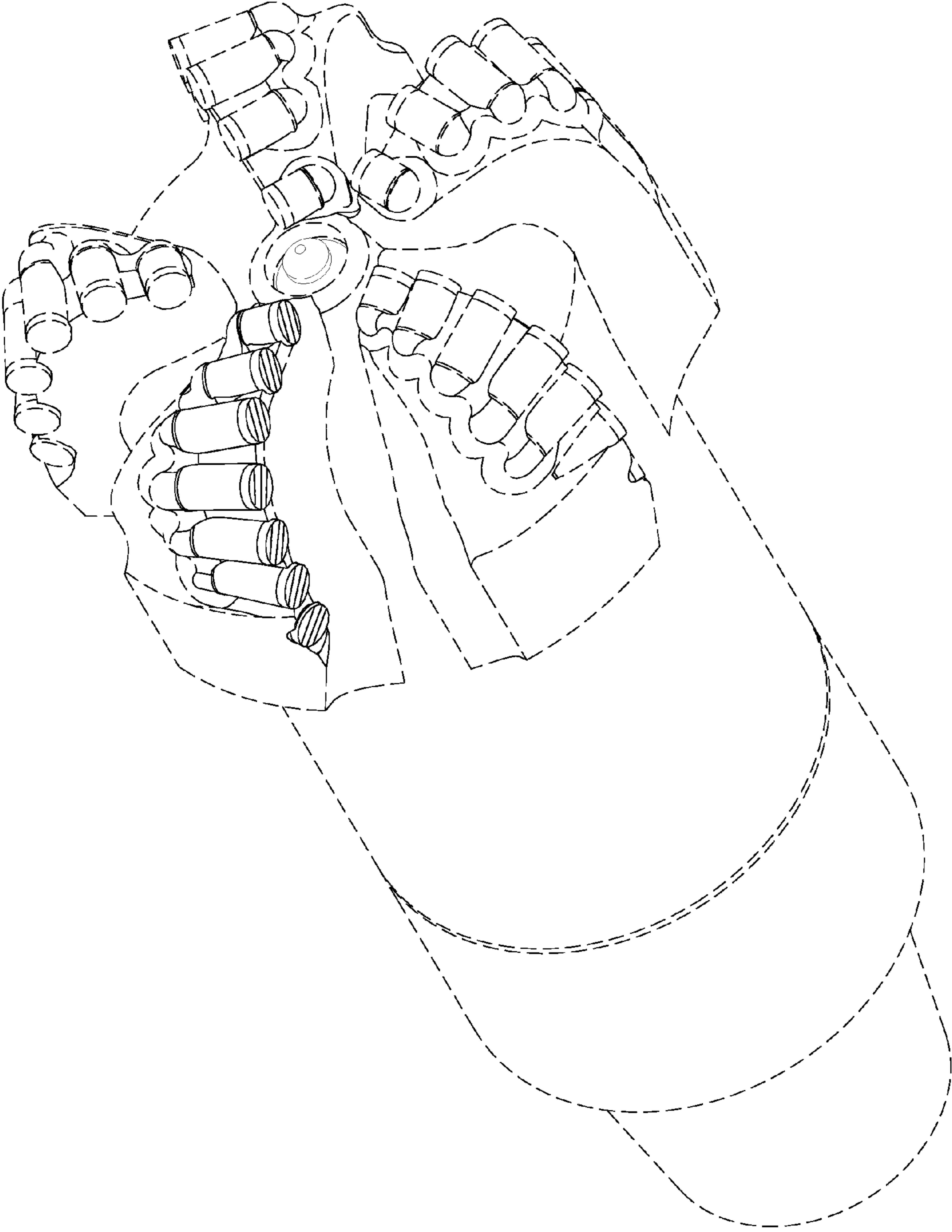


Fig. 3