



US00D620509S

(12) **United States Design Patent**
Hauenstein

(10) **Patent No.:** **US D620,509 S**
(45) **Date of Patent:** **** Jul. 27, 2010**

(54) **MOBILE GRINDING MACHINE**
(75) Inventor: **Hansruedi Hauenstein**, Zunzgen (CH)
(73) Assignee: **Airtec AG**, Zunzgen (CH)
(**) Term: **14 Years**

(21) Appl. No.: **29/331,811**
(22) Filed: **Feb. 2, 2009**

(30) **Foreign Application Priority Data**
Jan. 27, 2009 (CH) 2009-00064

(51) **LOC (9) Cl.** **15-09**
(52) **U.S. Cl.** **D15/124**
(58) **Field of Classification Search** D15/124,
D15/125, 126; 299/39.1, 39.5, 40.1; 451/11,
451/270, 271, 340, 344, 350, 351, 352, 353,
451/355, 357, 358
See application file for complete search history.

(56) **References Cited**

U.S. PATENT DOCUMENTS

2,588,707	A *	3/1952	Dwyer	451/352
2,956,379	A *	10/1960	Statler	451/351
4,782,631	A *	11/1988	Nishio	451/262
D300,224	S *	3/1989	Schold et al.	D15/124
D331,585	S *	12/1992	Wolff	D15/124
5,890,772	A *	4/1999	Mravyan	299/41.1
5,890,954	A *	4/1999	Barous	451/350
6,425,813	B1 *	7/2002	Ernst	451/350
6,752,707	B1 *	6/2004	Palushi	451/350
7,278,910	B1 *	10/2007	Jernigan	451/350

7,435,160	B2 *	10/2008	Marrs, III	451/11
7,563,156	B2 *	7/2009	Anderson	451/353
2003/0040265	A1 *	2/2003	Palushi	451/350
2007/0178999	A1 *	8/2007	Wilson et al.	474/87
2007/0212982	A1 *	9/2007	Marrs, III	451/11
2007/0232207	A1 *	10/2007	Palushi	451/350
2008/0045123	A1 *	2/2008	Hanks et al.	451/28

* cited by examiner

Primary Examiner—Sandra Snapp
Assistant Examiner—Patricia Palasik
(74) *Attorney, Agent, or Firm*—Marshall, Gerstein & Borun LLP

(57) **CLAIM**

The ornamental design for a mobile grinding machine, as shown and described.

DESCRIPTION

FIG. 1 is a perspective view showing a new design for a mobile grinding machine.
FIG. 2 is a front view of the mobile grinding machine.
FIG. 3 is a back view of the mobile grinding machine.
FIG. 4 is a right-side view of the mobile grinding machine.
FIG. 5 is a left-side view of the mobile grinding machine.
FIG. 6 is a top view of the mobile grinding machine; and,
FIG. 7 is a bottom view of the mobile grinding machine.
The broken lines are for the purpose of illustrating portions of the mobile grinding machine and form no part of the claimed design.

1 Claim, 4 Drawing Sheets

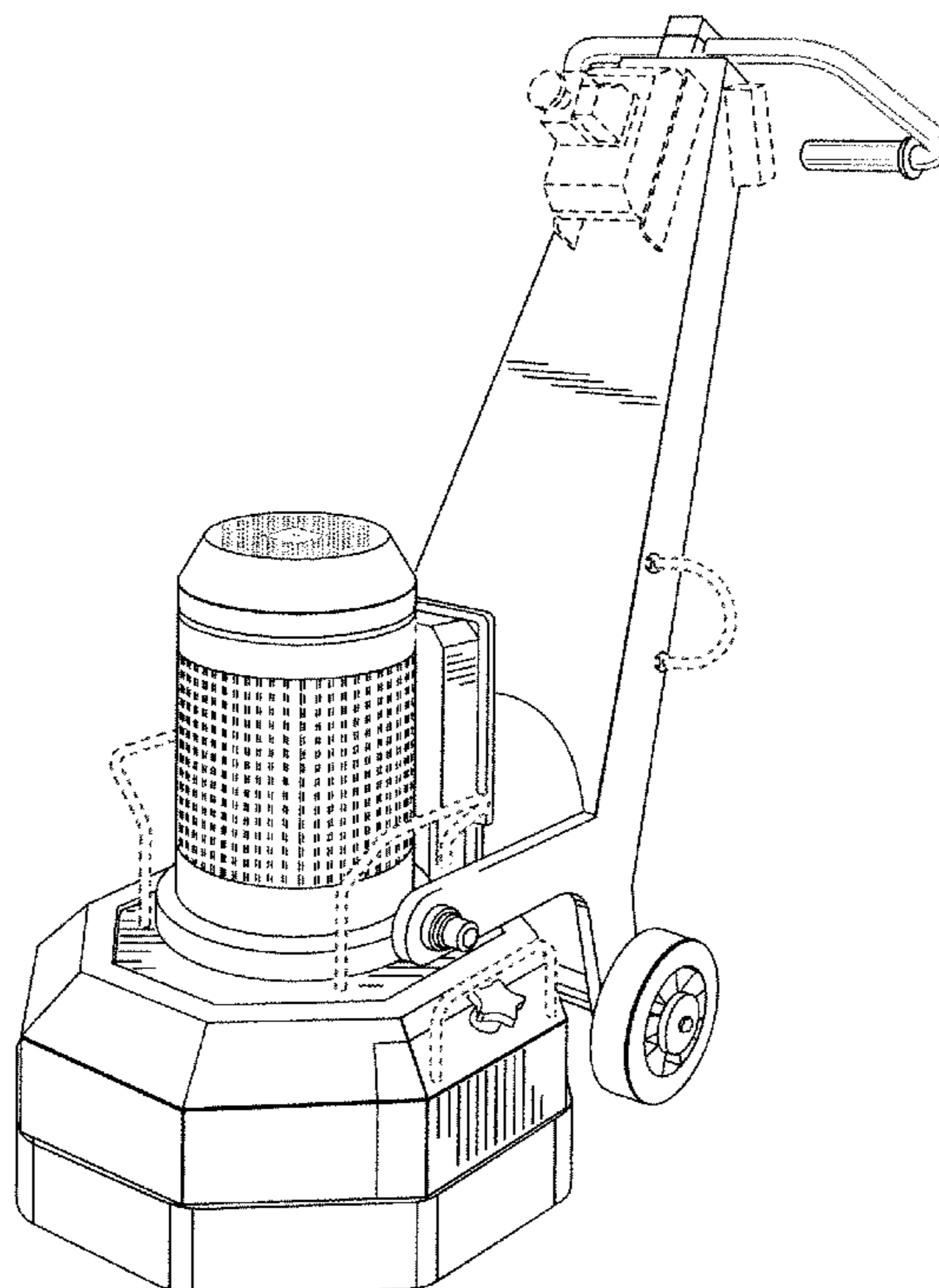


Fig. 1

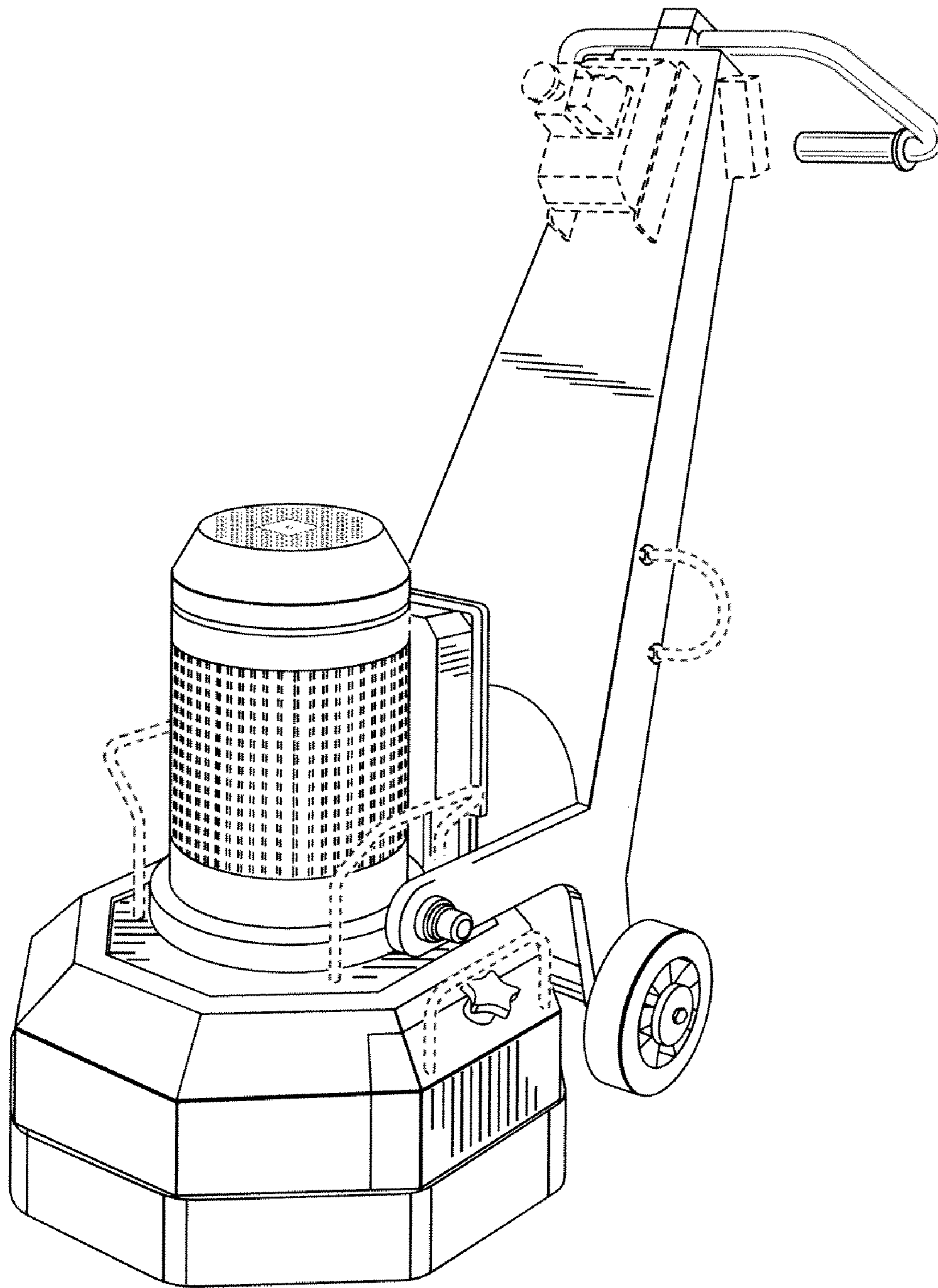


Fig. 2

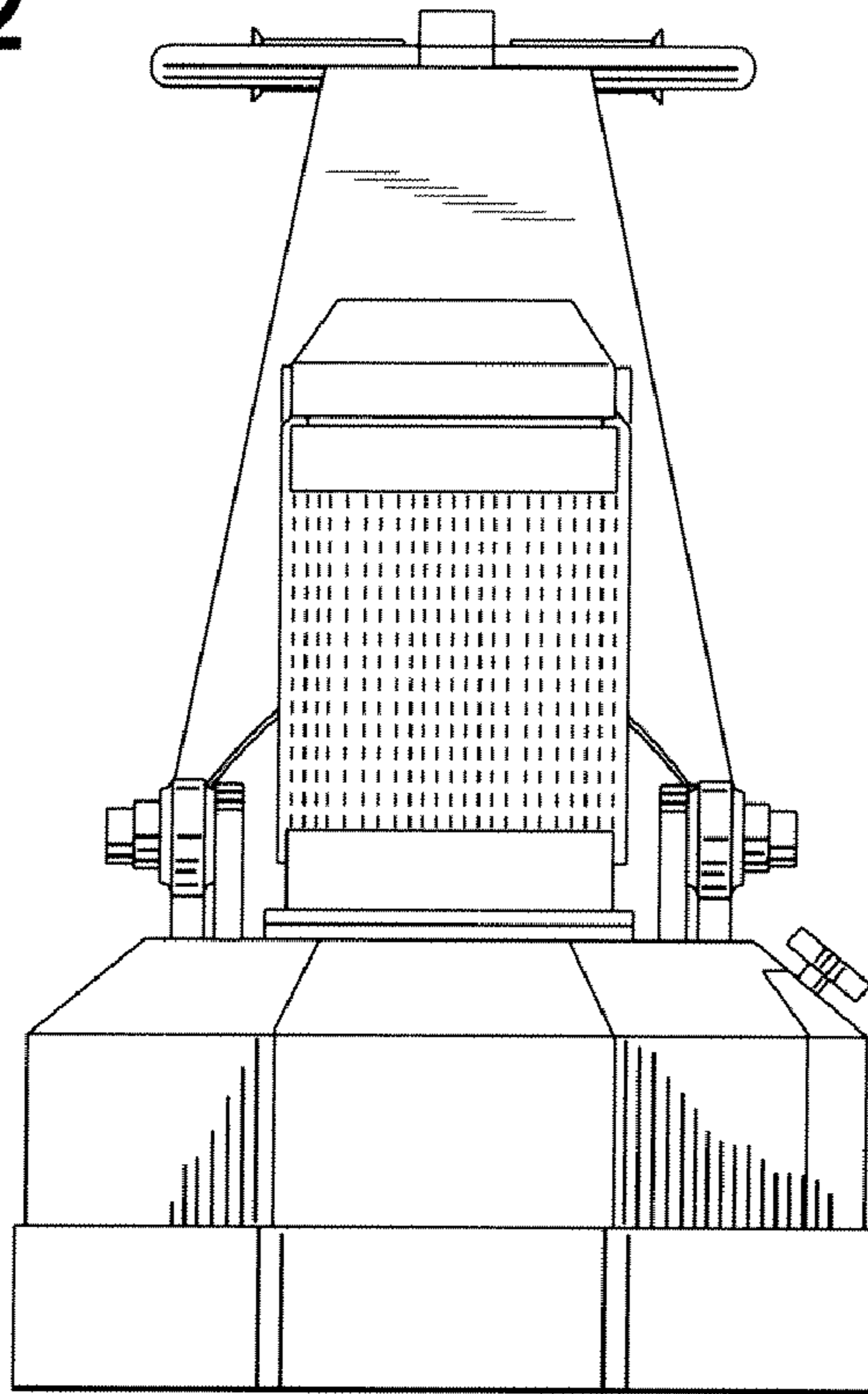
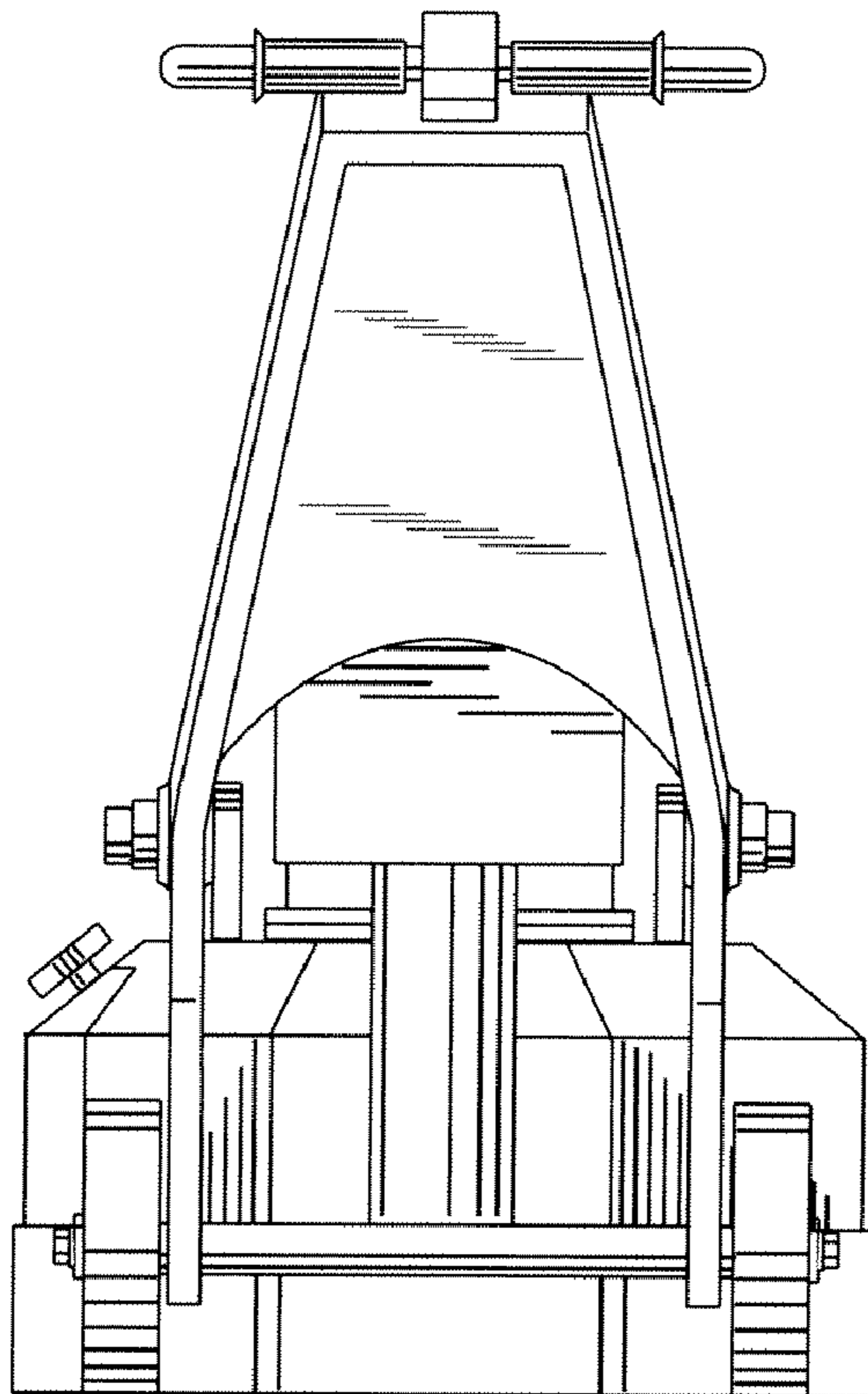


Fig. 3



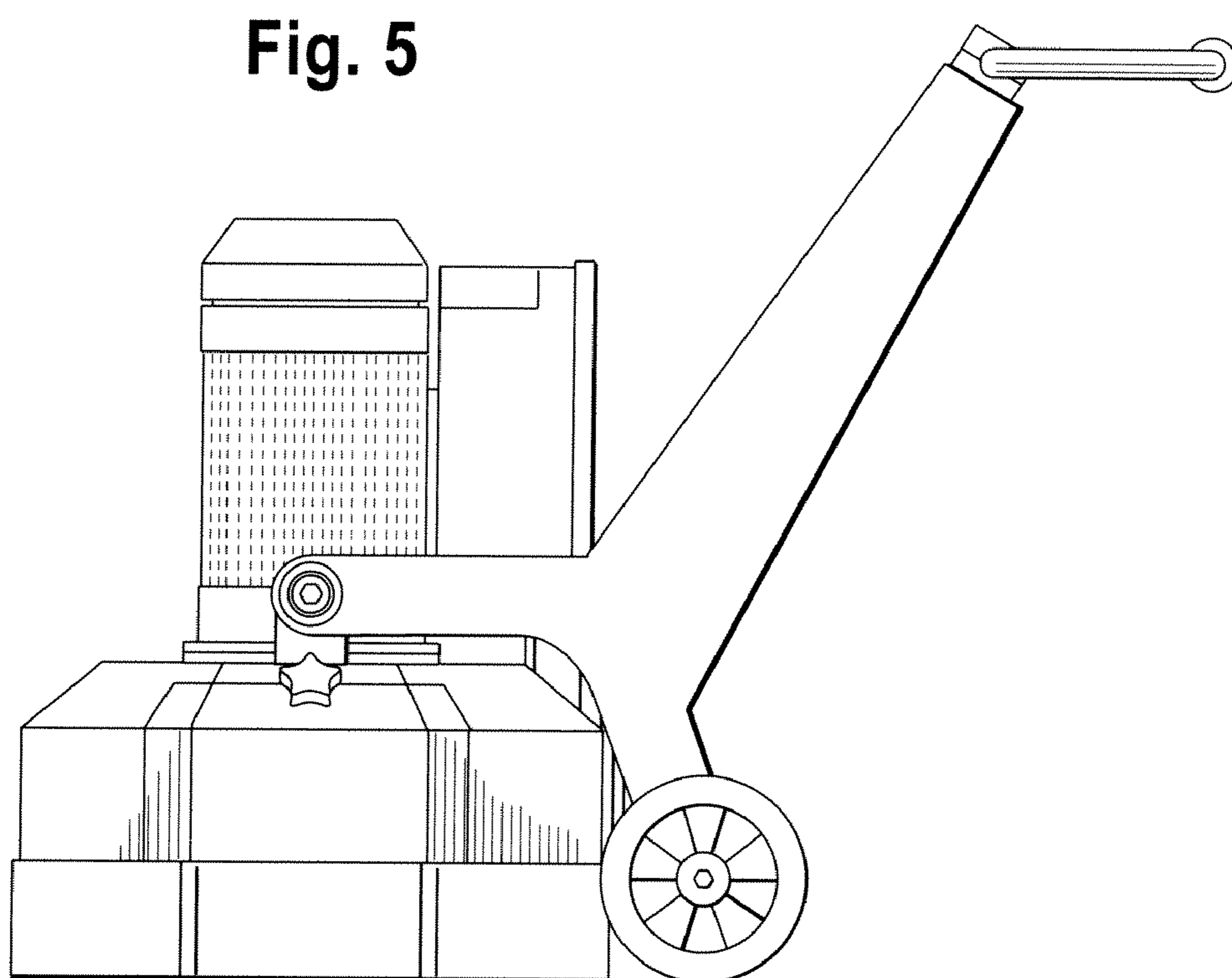
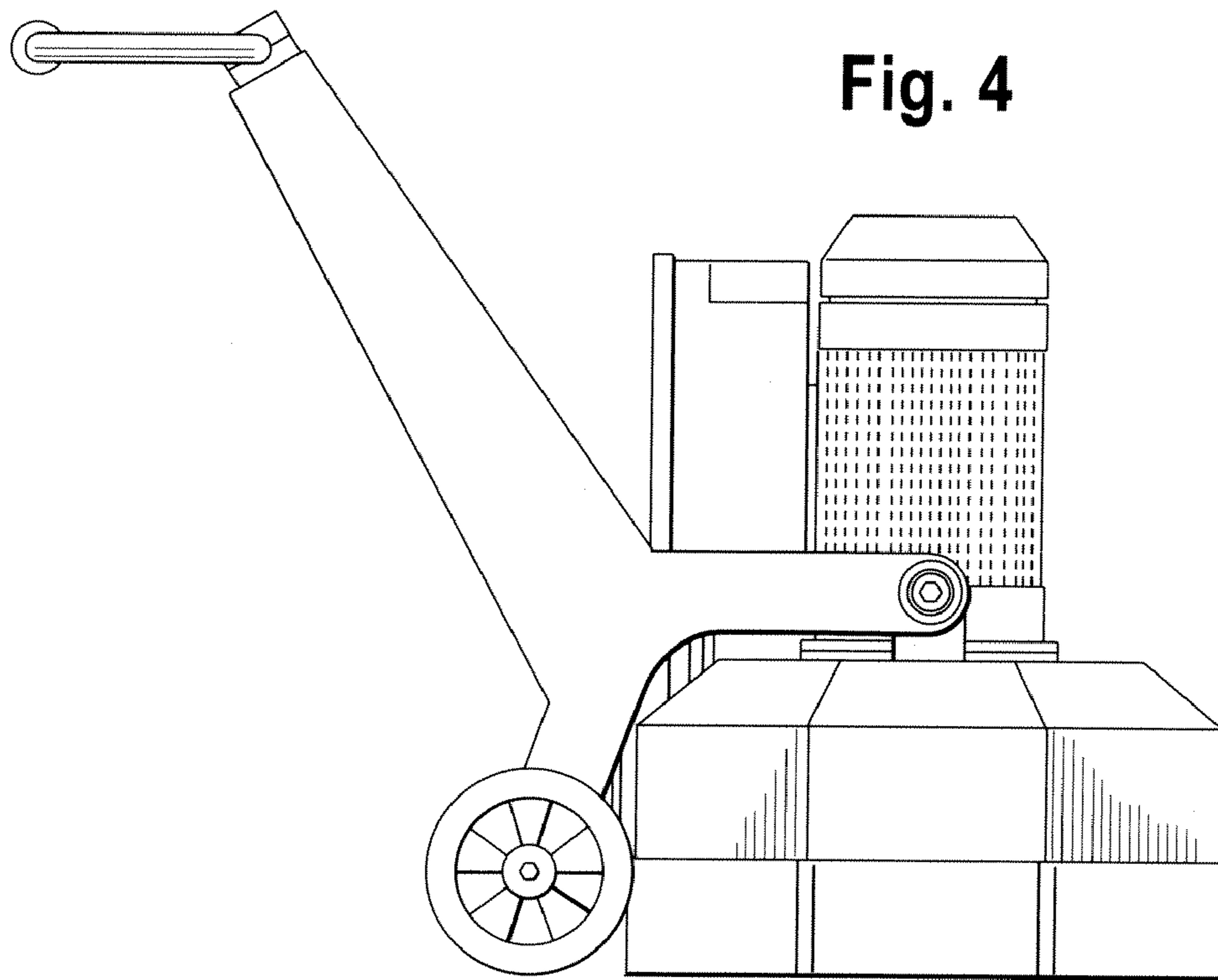


Fig. 6

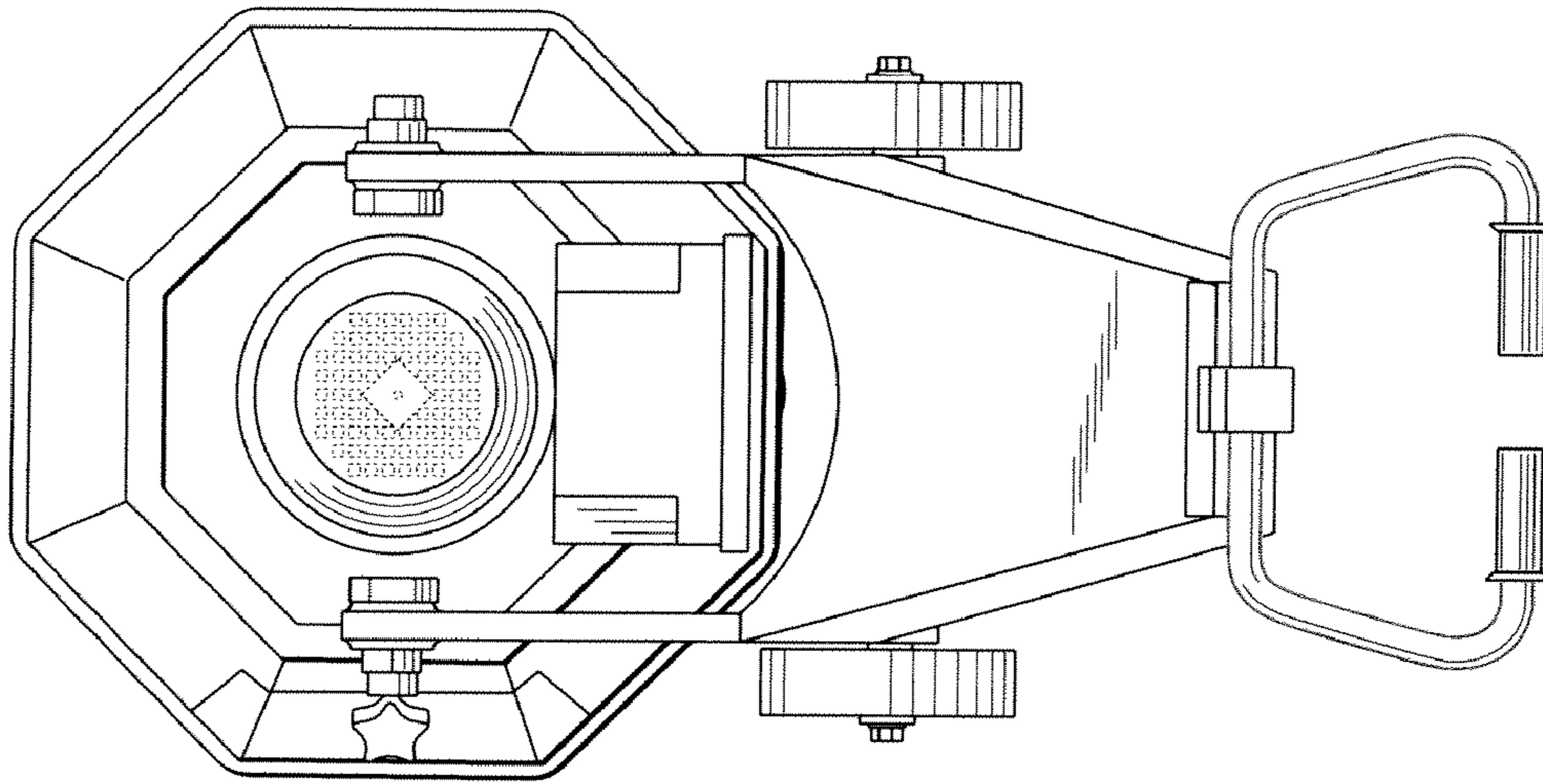


Fig. 7

