



US00D620503S

(12) **United States Design Patent**
Krogh et al.

(10) **Patent No.:** **US D620,503 S**

(45) **Date of Patent:** **** Jul. 27, 2010**

(54) **TRACTOR HOOD**

(75) Inventors: **Ryan Michael Krogh**, Cedar Falls, IA (US); **William Edward Crookes**, Ann Arbor, MI (US); **Thomas Cedric Boe**, Cedar Falls, IA (US); **Andrew Easter**, Cedar Falls, IA (US); **David P. Heisterkamp**, Cedar Falls, IA (US)

(73) Assignee: **Deere & Company**, Moline, IL (US)

(**) Term: **14 Years**

(21) Appl. No.: **29/351,309**

(22) Filed: **Dec. 3, 2009**

(51) **LOC (9) Cl.** **15-03**

(52) **U.S. Cl.** **D15/31**

(58) **Field of Classification Search** D15/10,
D15/11, 13-17, 28, 22-26, 31; D12/173;
56/13.3, 13.4, 15.8, 15.9, 320.1; 180/89.1,
180/89.12, 900, 69.2, 68.1, 69.1
See application file for complete search history.

(56) **References Cited**

U.S. PATENT DOCUMENTS

D246,370 S *	11/1977	Lorenz	D15/31
D297,330 S *	8/1988	Monehaie et al.	D15/31
D371,372 S *	7/1996	Westimayer et al.	D15/31
D381,025 S *	7/1997	Bataille	D15/31
D383,470 S *	9/1997	Westimayer et al.	D15/31
D389,492 S *	1/1998	Schmidt et al.	D15/31
5,803,198 A *	9/1998	Baxter et al.	180/69.21
D413,905 S *	9/1999	Schmidt et al.	D15/31
6,167,977 B1 *	1/2001	Adamson et al.	180/69.2
D448,037 S *	9/2001	Westimayer et al.	D15/31
D451,106 S *	11/2001	Crookes et al.	D15/31
D458,944 S *	6/2002	Crookes et al.	D15/31

D483,383 S *	12/2003	Crookes et al.	D15/31
D488,488 S *	4/2004	Montgomery et al.	D15/31
D488,489 S *	4/2004	Montgomery et al.	D15/31
D495,344 S *	8/2004	Farlow et al.	D15/31
D495,345 S *	8/2004	Farlow et al.	D15/31
D512,079 S *	11/2005	Farlow et al.	D15/31
D512,445 S *	12/2005	Farlow et al.	D15/31
D520,527 S *	5/2006	Crookes et al.	D15/31
D554,669 S *	11/2007	Crookes et al.	D15/31
D560,693 S *	1/2008	Moen et al.	D15/31
D570,382 S *	6/2008	Higashikawa	D15/31
D586,828 S *	2/2009	Staines et al.	D15/31
D591,777 S *	5/2009	Kokitkar et al.	D15/31

* cited by examiner

Primary Examiner—Mark A Goodwin

(57) **CLAIM**

The ornamental design for a tractor hood, as shown and described.

DESCRIPTION

FIG. 1 is a top front left side perspective view of a tractor hood showing our new design.

FIG. 2 is a top front right side perspective view thereof.

FIG. 3 is a front view thereof.

FIG. 4 is a rear view thereof.

FIG. 5 is a left side view thereof.

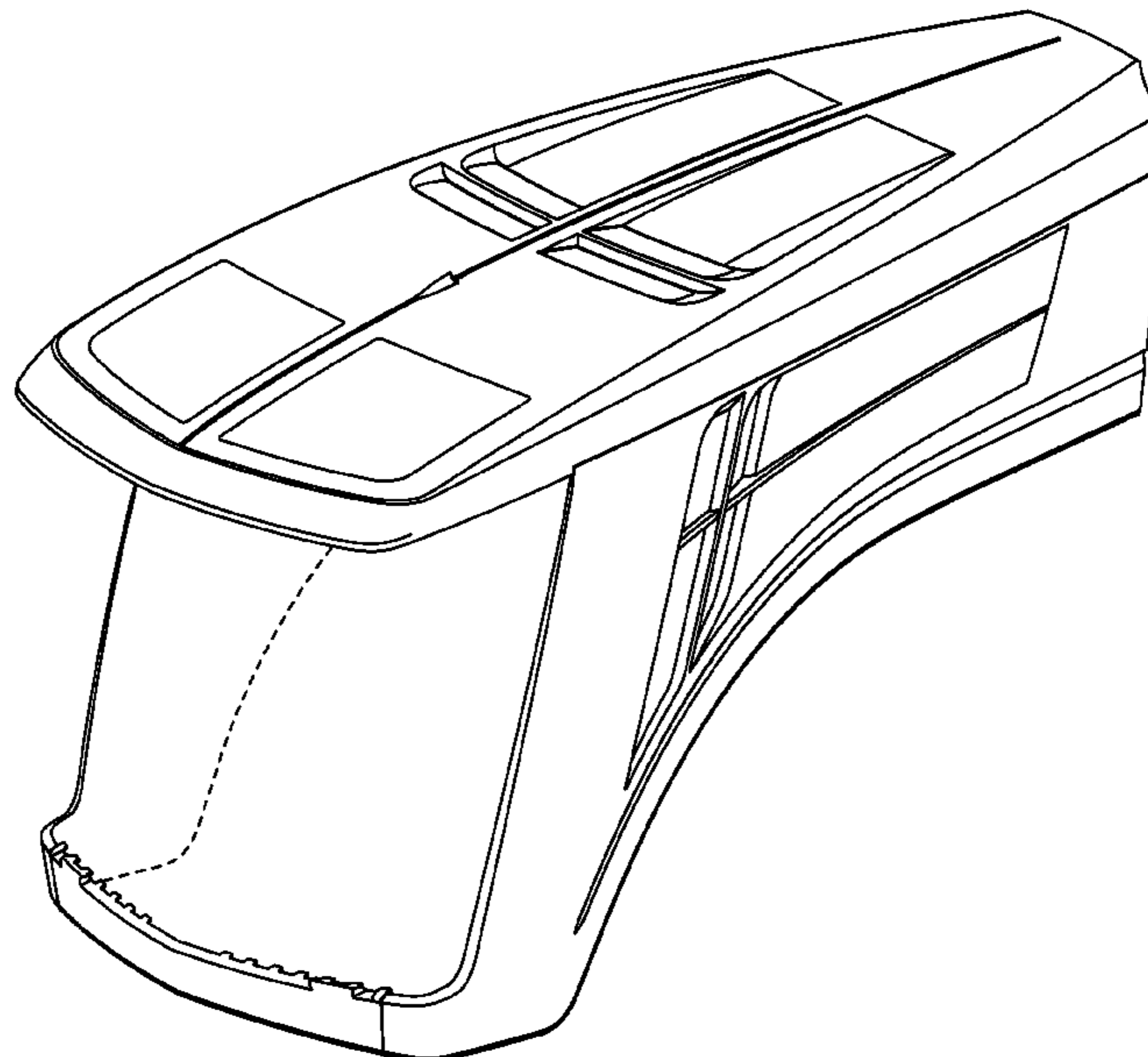
FIG. 6 is a right side view thereof.

FIG. 7 is a top plan view thereof; and,

FIG. 8 is a bottom plan view thereof.

The broken line showing of the interior surfaces in FIGS. 1-4, 6, and 8 is included for the purpose of illustrating portions of the tractor hood and forms no part of the claimed design.

1 Claim, 8 Drawing Sheets



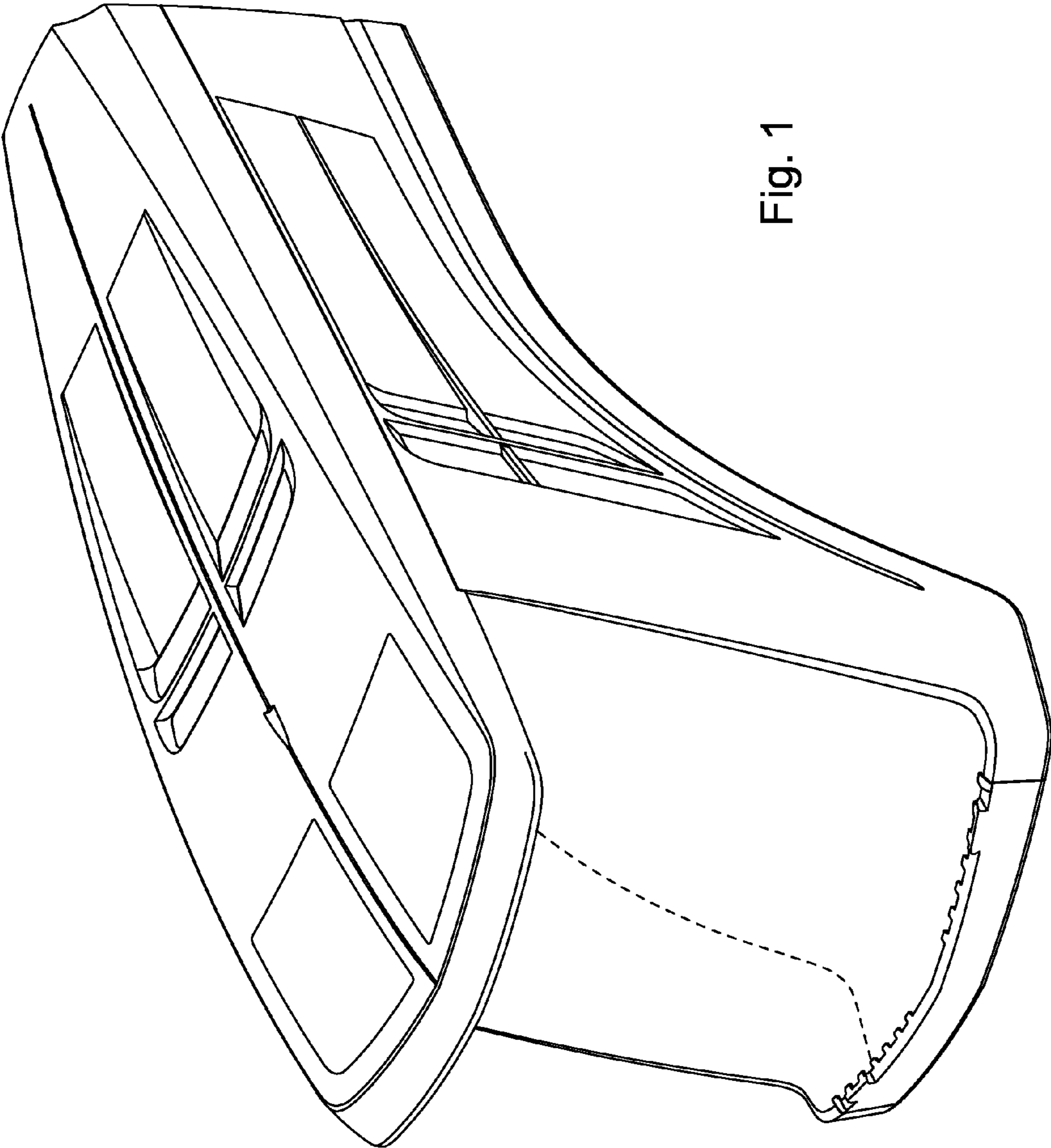


Fig. 1

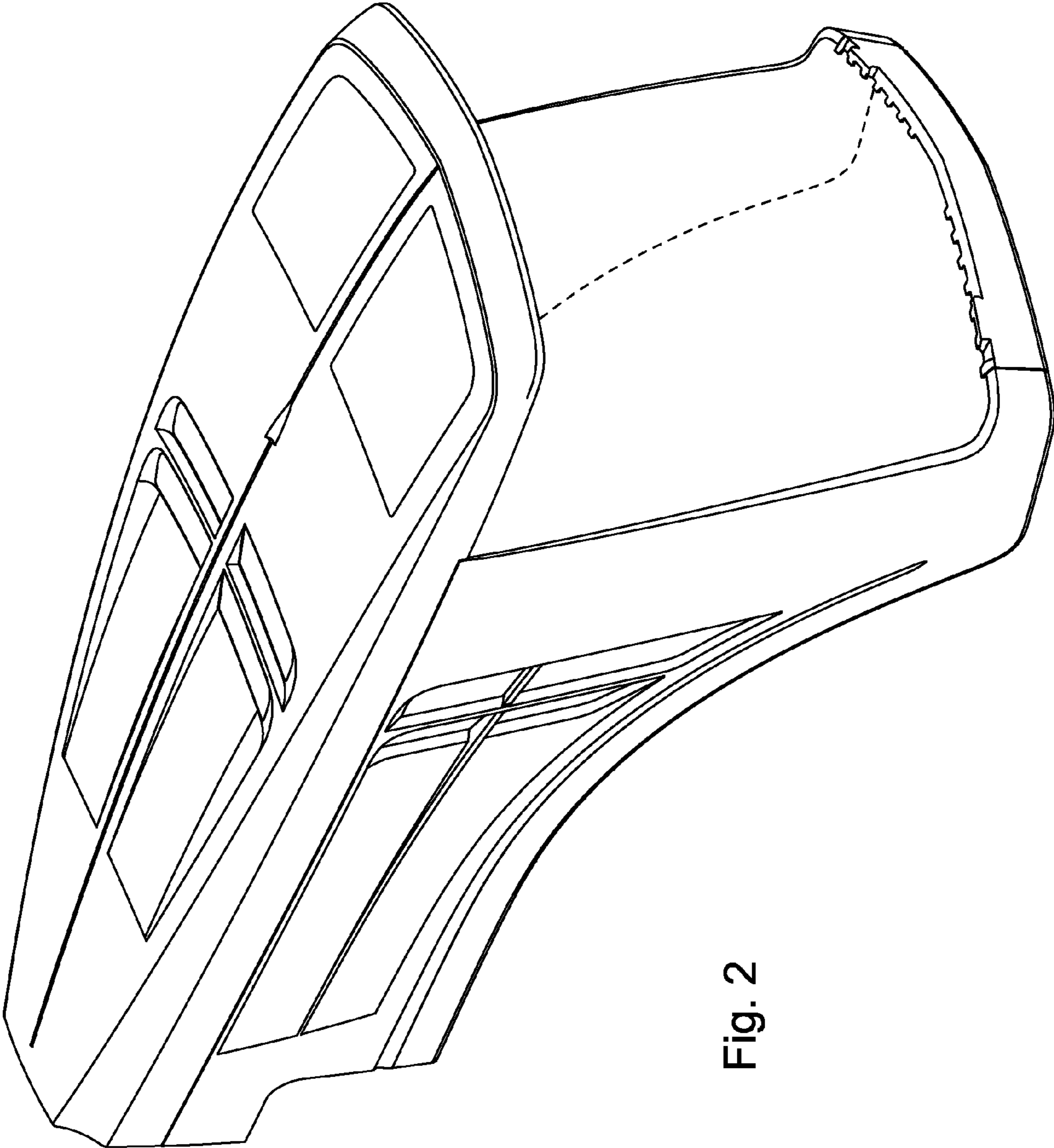


Fig. 2

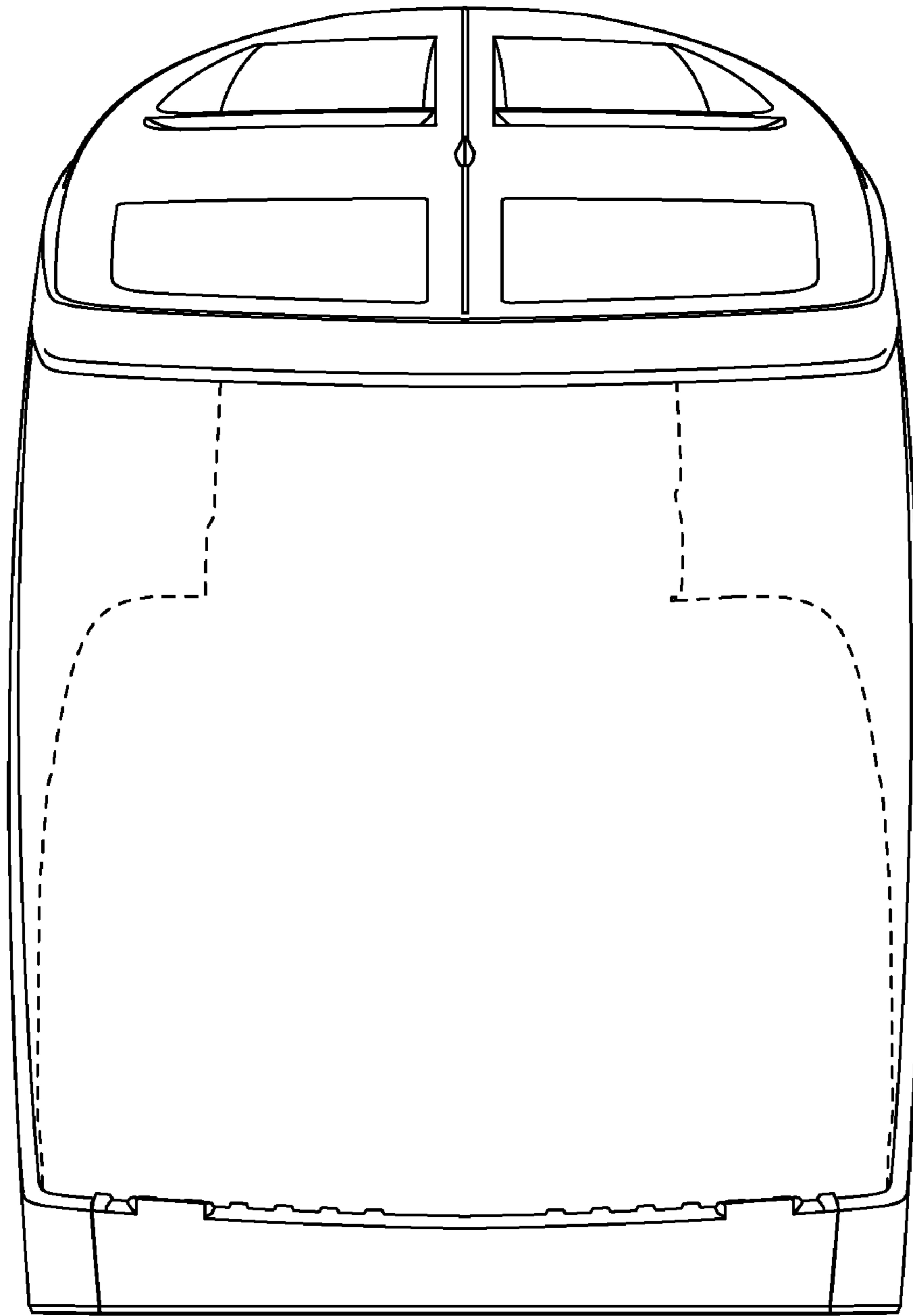


Fig. 3

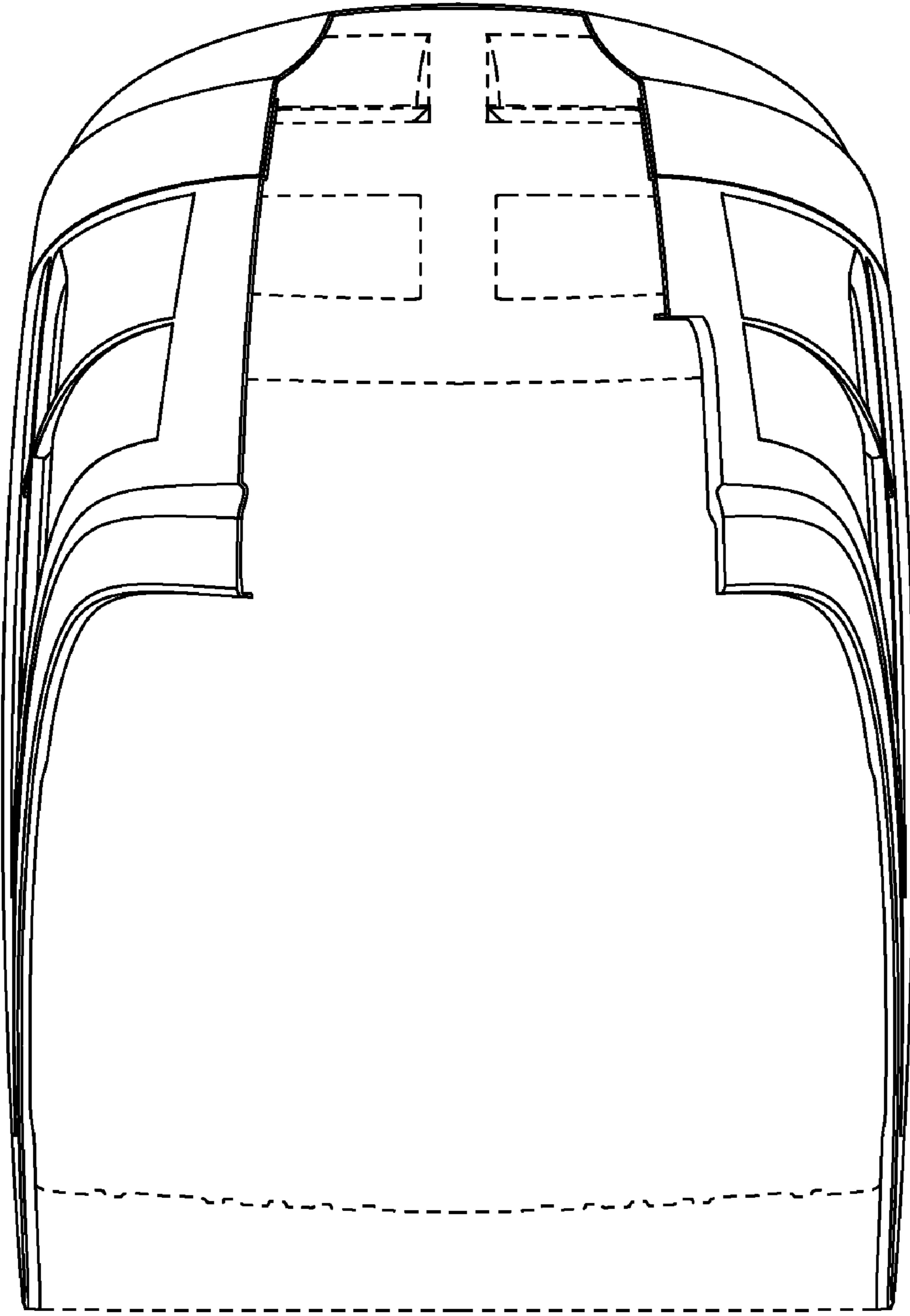


Fig. 4

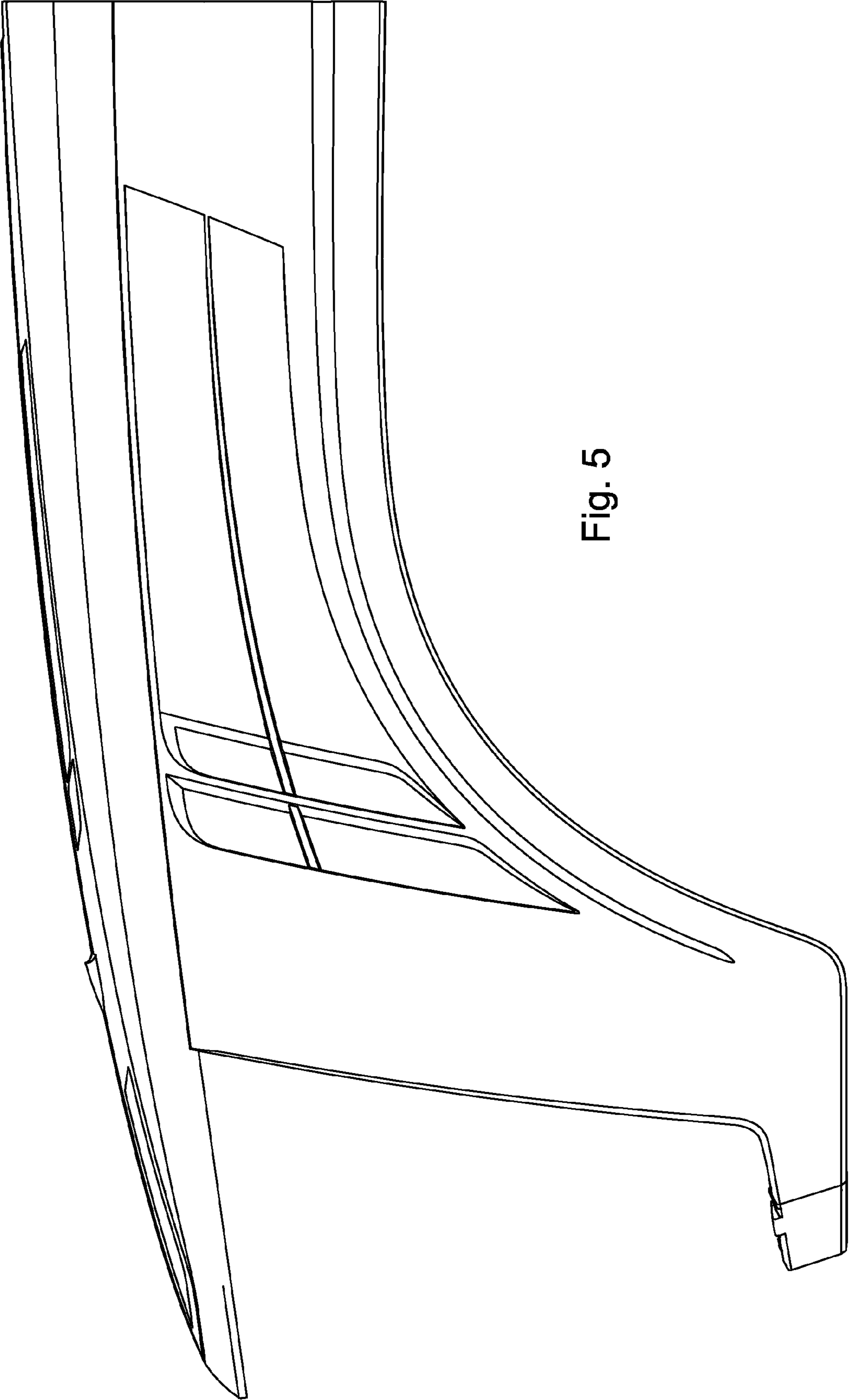


Fig. 5

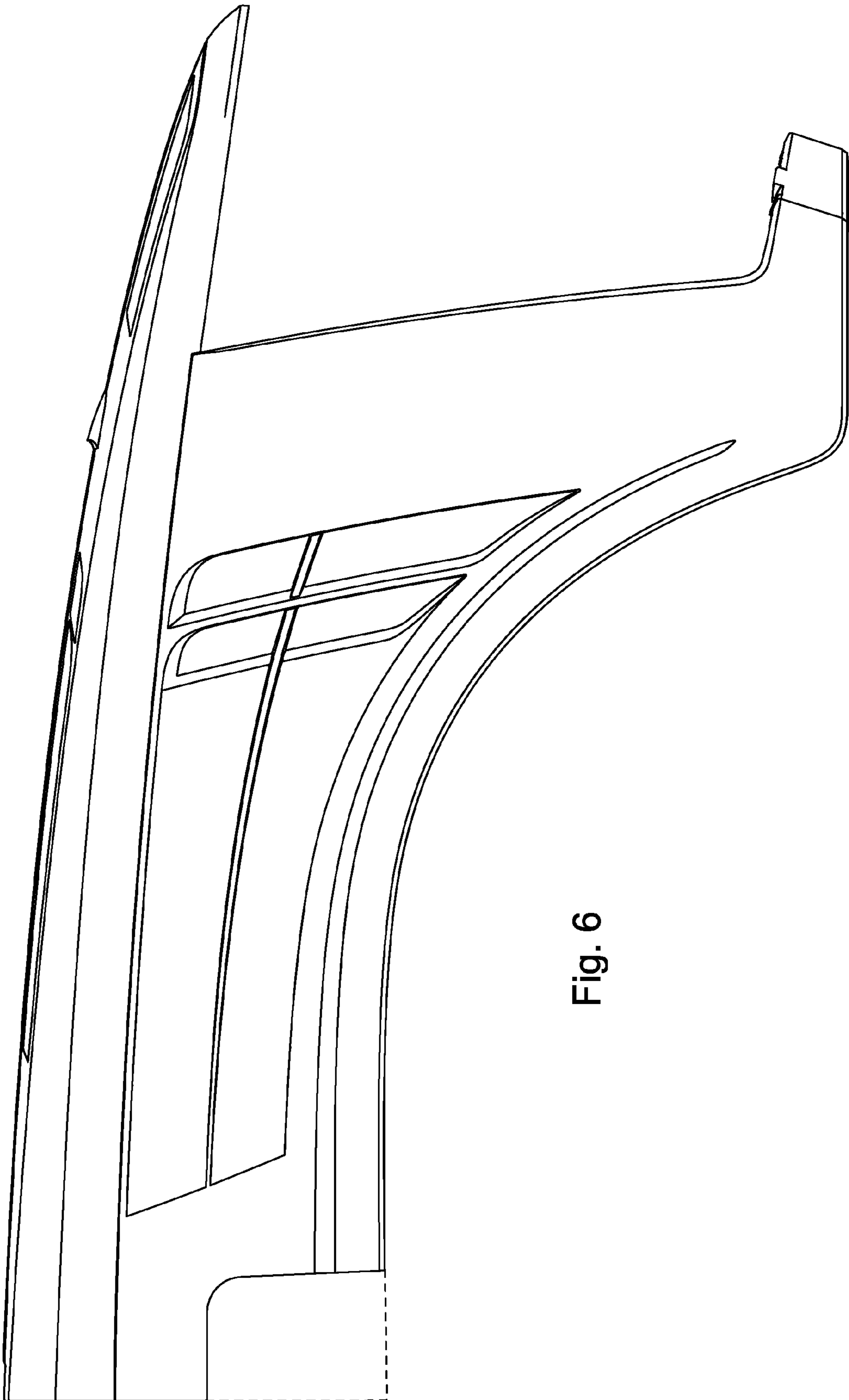


Fig. 6

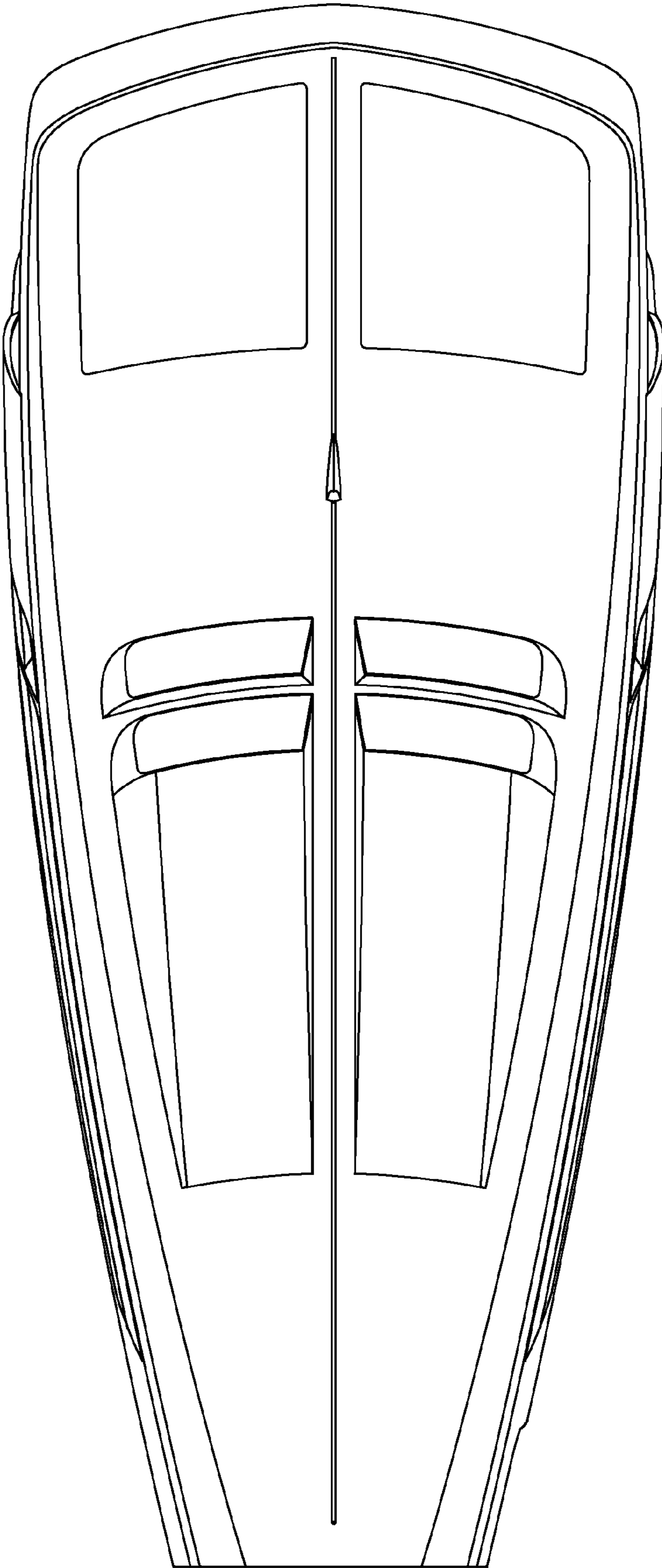


Fig. 7

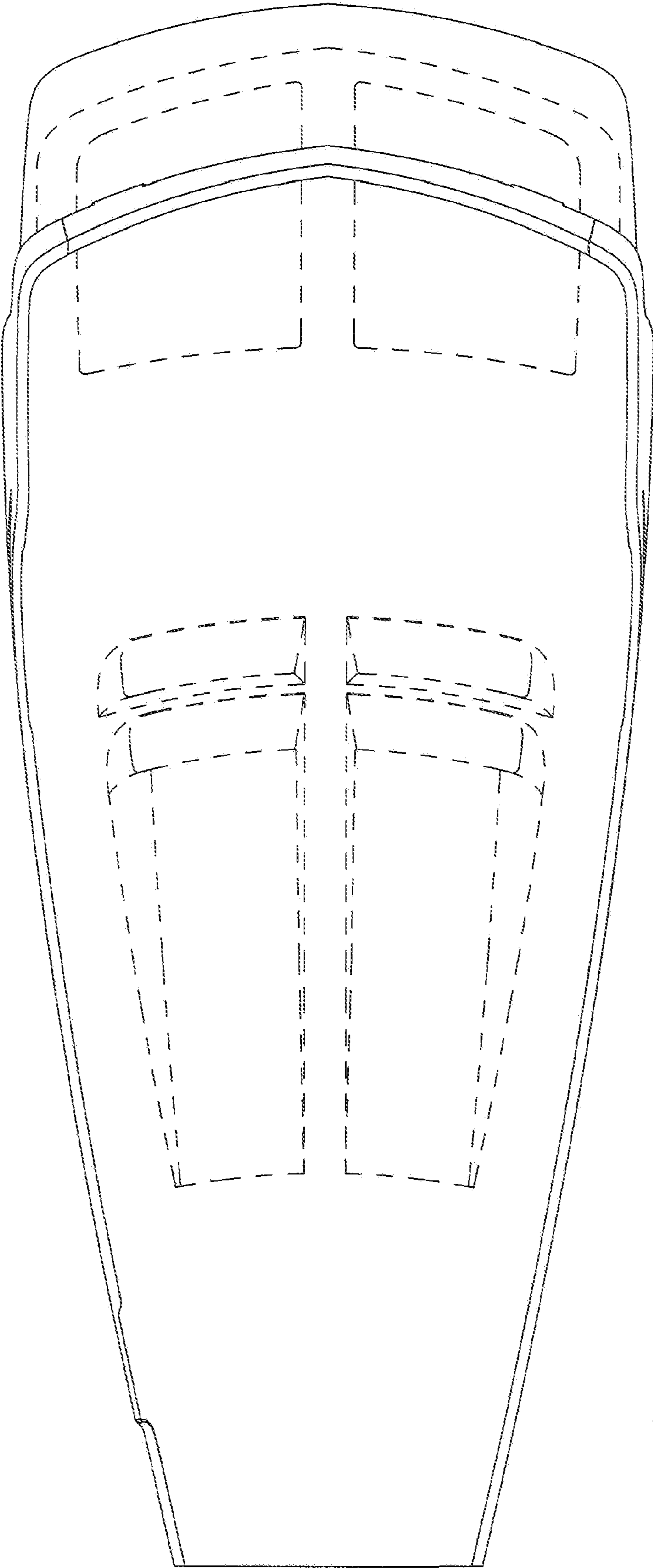


Fig. 8