



US00D620502S

(12) **United States Design Patent**
Ballinger et al.

(10) **Patent No.:** **US D620,502 S**
(45) **Date of Patent:** **** Jul. 27, 2010**

(54) **HITCH**

(76) Inventors: **Jon C. Ballinger**, 8306 Co. Rd. 236,
Findlay, OH (US) 45840; **Gregory J. Smith**, 3458 W. County Rd. 52, Tiffin,
OH (US) 44883

(**) Term: **14 Years**

(21) Appl. No.: **29/345,708**

(22) Filed: **Oct. 21, 2009**

(51) **LOC (9) Cl.** **15-03**

(52) **U.S. Cl.** **D15/28**

(58) **Field of Classification Search** D15/10,
D15/22-25, 28, 32; D12/162; D8/382; 248/200;
414/723; 37/468; 403/321, 322.3, 322.1
See application file for complete search history.

(56) **References Cited**

U.S. PATENT DOCUMENTS

D251,846	S	*	5/1979	Martin et al.	D15/28
D272,069	S	*	1/1984	Larsson	D15/28
D272,070	S	*	1/1984	Larsson	D15/28
D272,250	S	*	1/1984	Larsson	D15/28
5,332,353	A	*	7/1994	Arnold	414/723
D351,604	S	*	10/1994	Eudy	D15/28
5,382,110	A	*	1/1995	Perotto et al.	403/322.3
D440,983	S	*	4/2001	Miller et al.	D15/28
6,312,212	B1	*	11/2001	Burlew, Jr.	414/723
6,379,075	B1	*	4/2002	Shamblin et al.	403/322.1

D458,942	S	*	6/2002	Balemi	D15/28
6,902,346	B2	*	6/2005	Steig et al.	403/322.3
7,306,395	B2	*	12/2007	Fatemi	403/321
D574,225	S	*	8/2008	Scheib	D8/382
7,438,494	B1	*	10/2008	Da Costa	403/321
D593,848	S	*	6/2009	Balemi et al.	D8/382
D593,849	S	*	6/2009	Balemi et al.	D8/382
D599,198	S	*	9/2009	Balemi et al.	D8/382
2003/0175072	A1	*	9/2003	Steig et al.	403/322.1
2005/0214105	A1	*	9/2005	Steig et al.	414/723

* cited by examiner

Primary Examiner—Mark A Goodwin

(74) *Attorney, Agent, or Firm*—Brinks Hofer Gilson & Lione

(57) **CLAIM**

The ornamental design for a hitch, as shown and described.

DESCRIPTION

FIG. 1 is a top left front perspective view of a hitch showing our new design;

FIG. 2 is a top right rear perspective view thereof;

FIG. 3 is a right side view thereof, the left side view being a mirror image thereof;

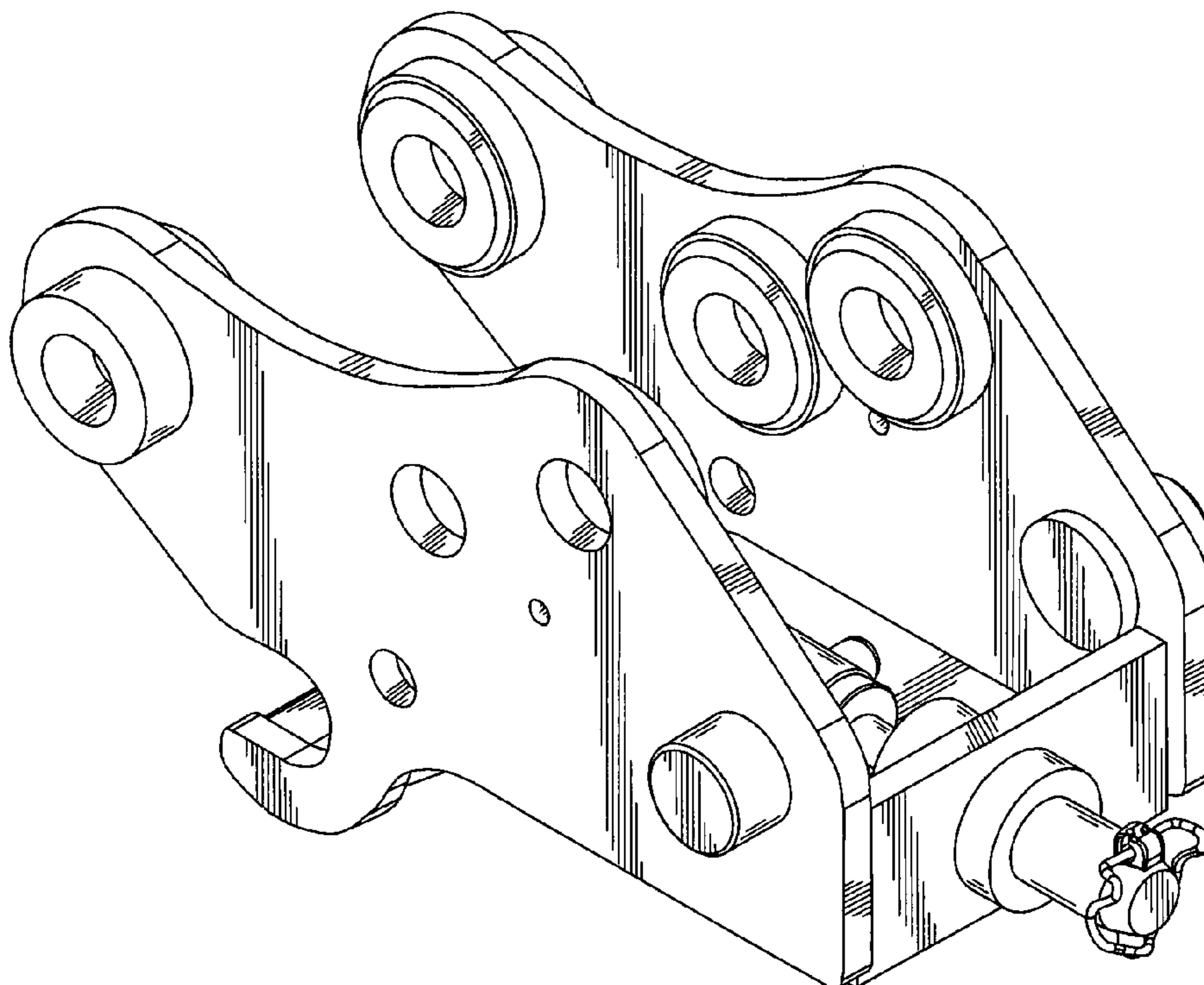
FIG. 4 is a front view thereof;

FIG. 5 is a rear view thereof;

FIG. 6 is a top plan view thereof; and,

FIG. 7 is a bottom plan view thereof.

1 Claim, 7 Drawing Sheets



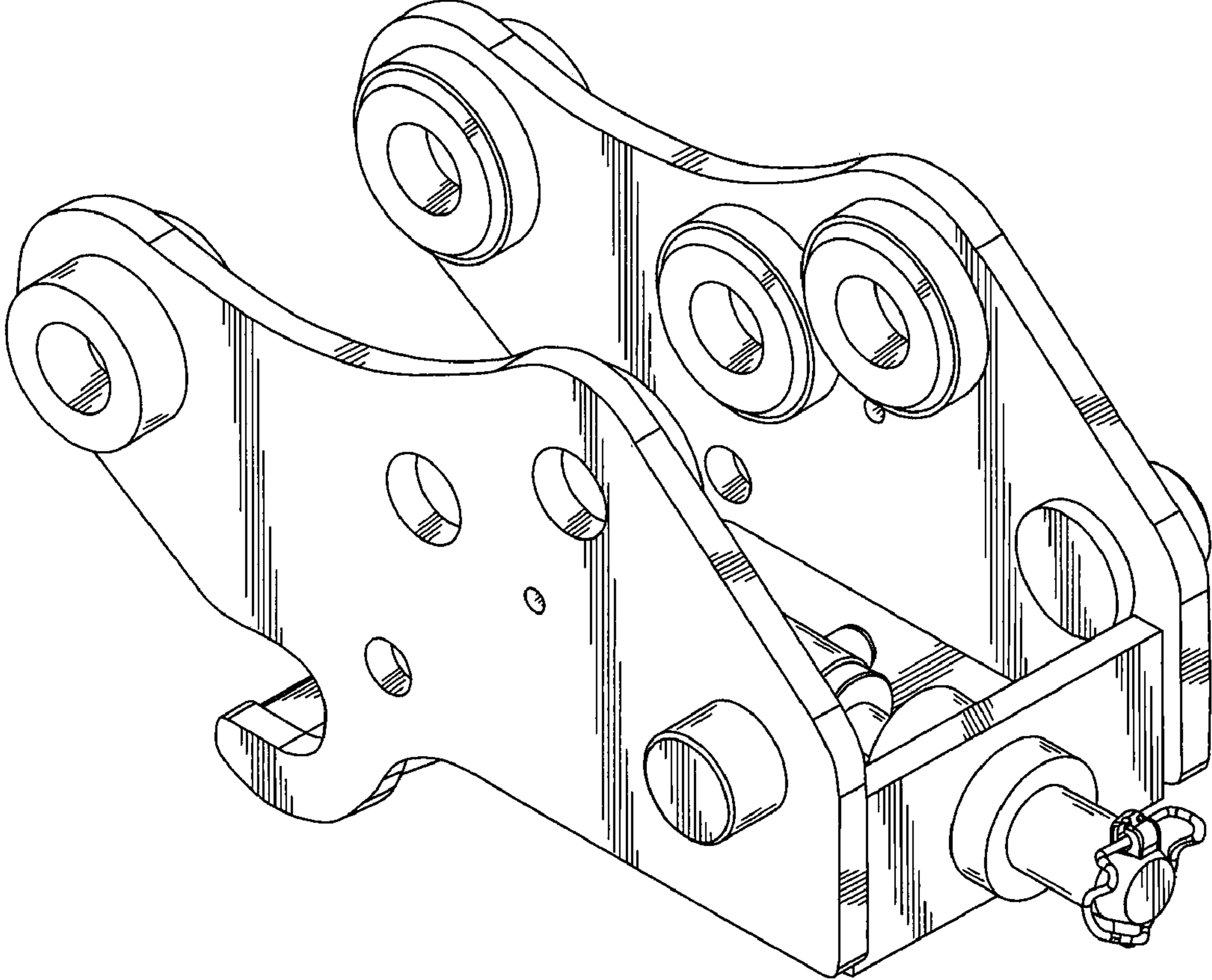


FIG. 1

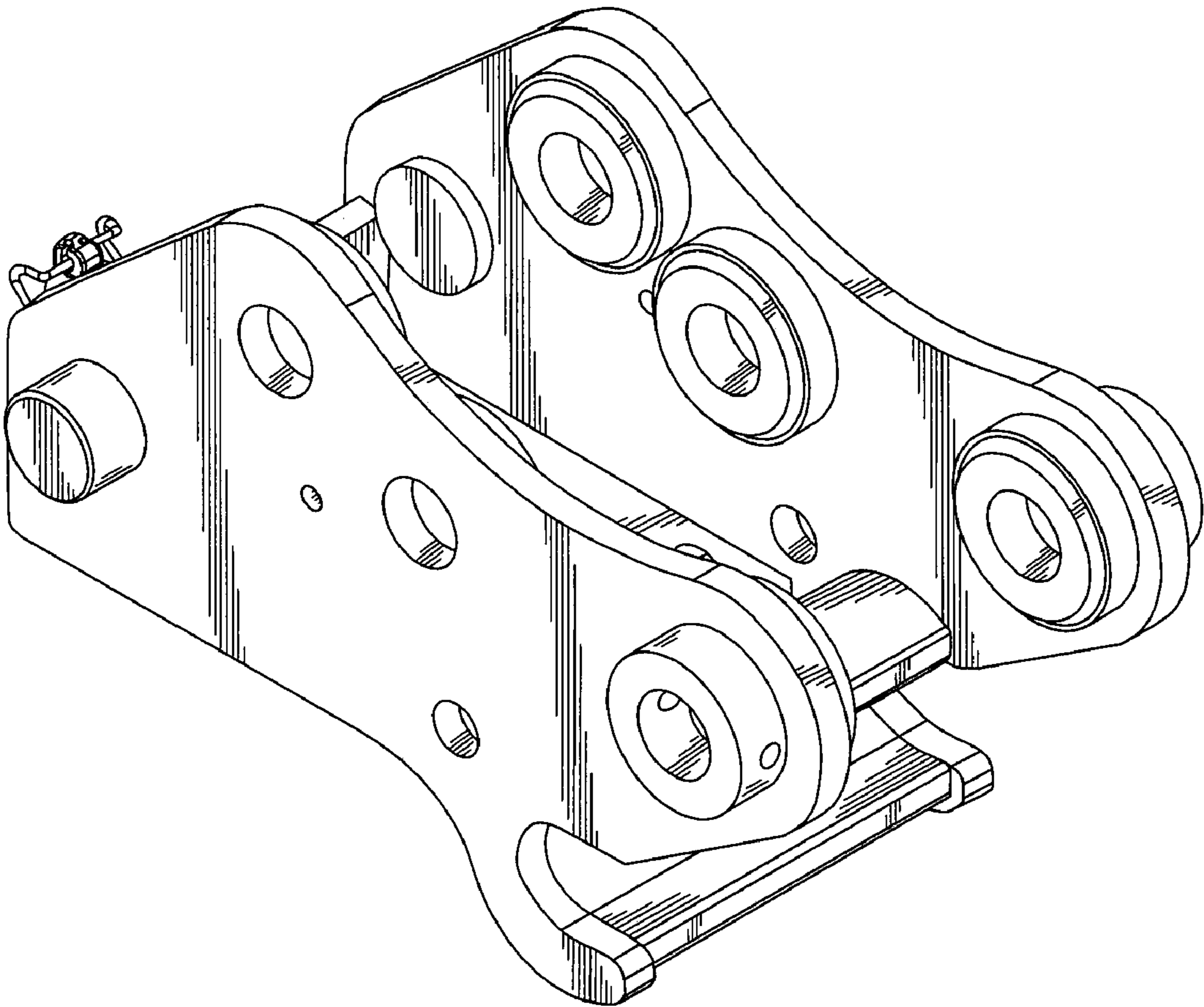


FIG. 2

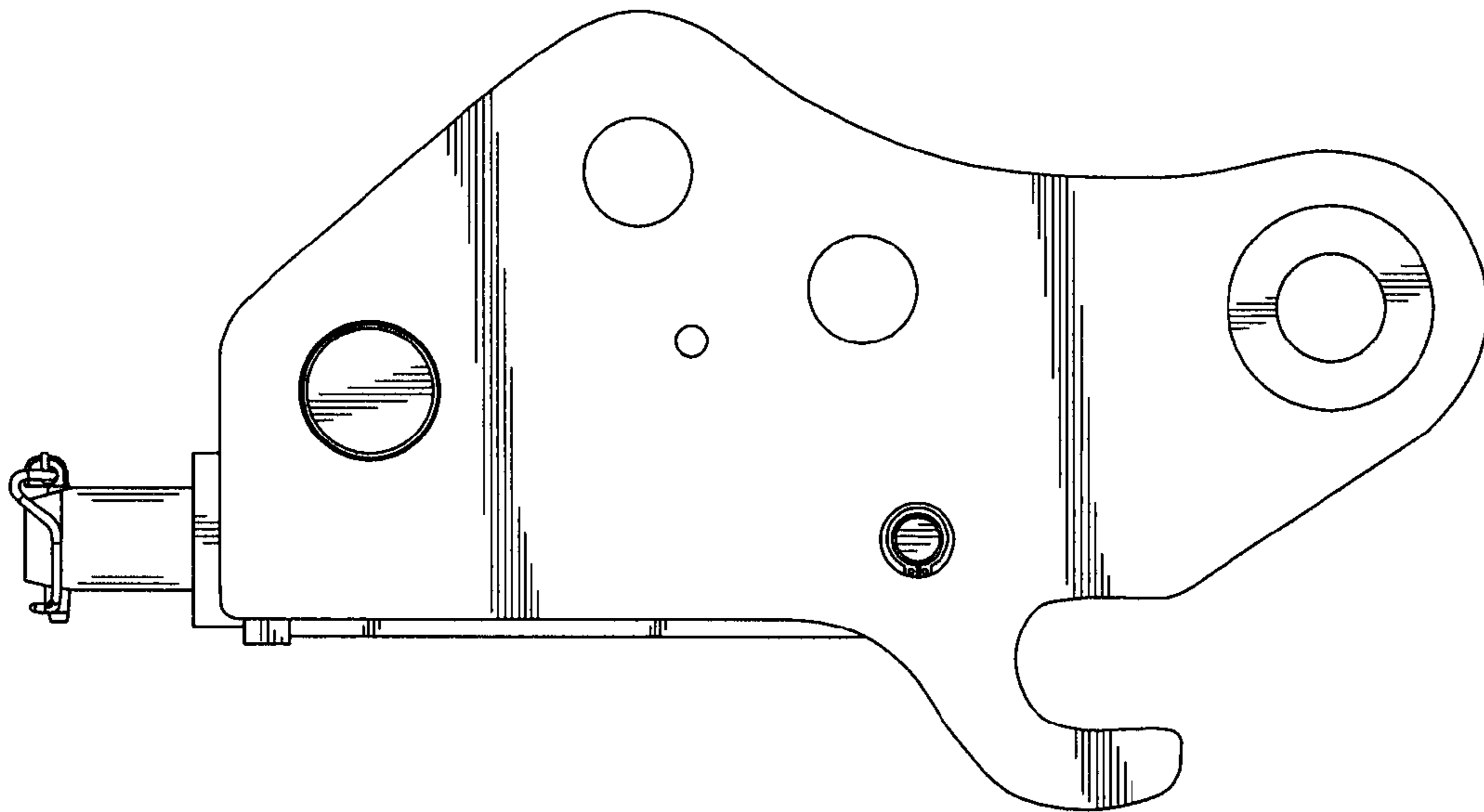


FIG. 3

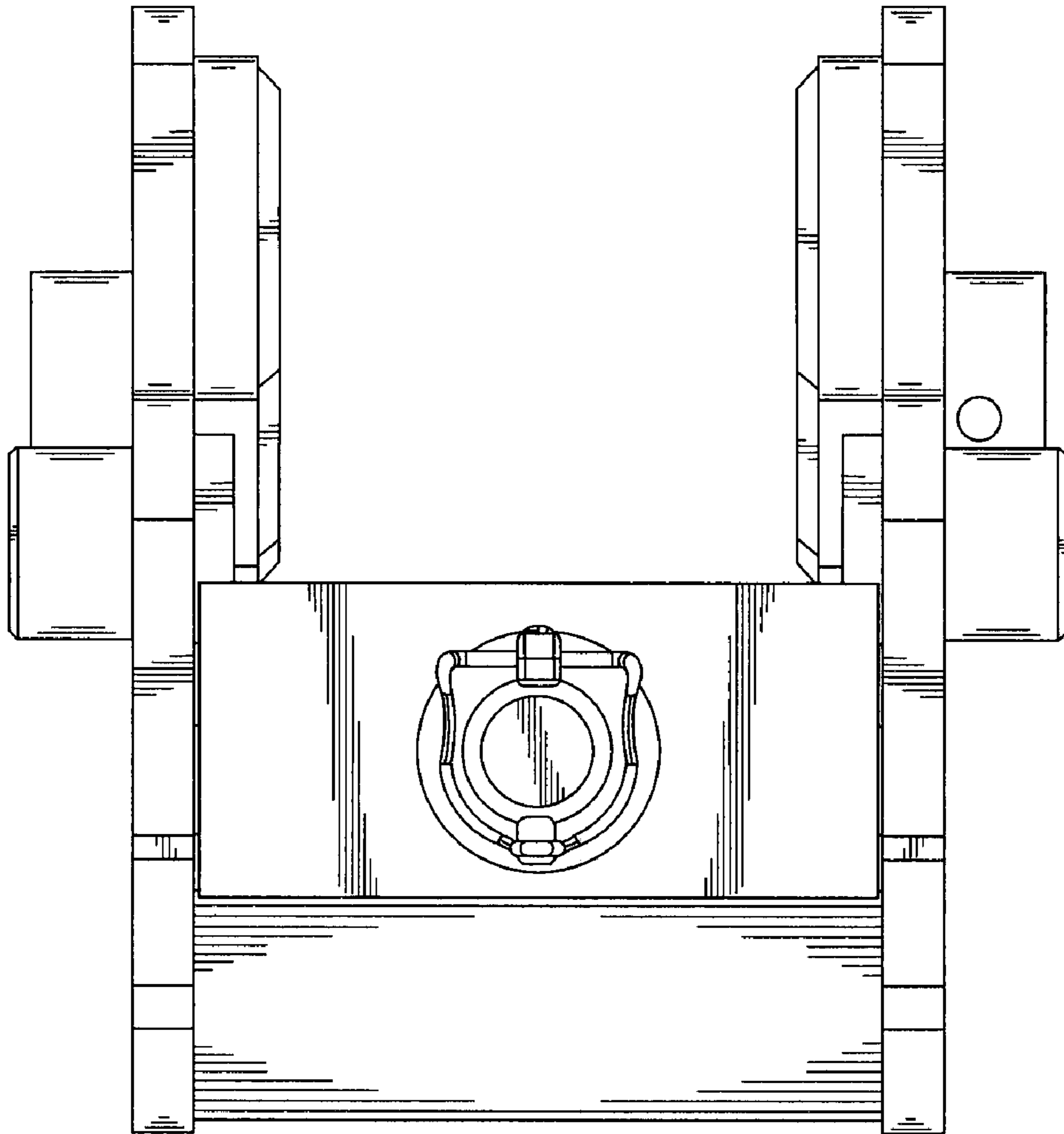


FIG. 4

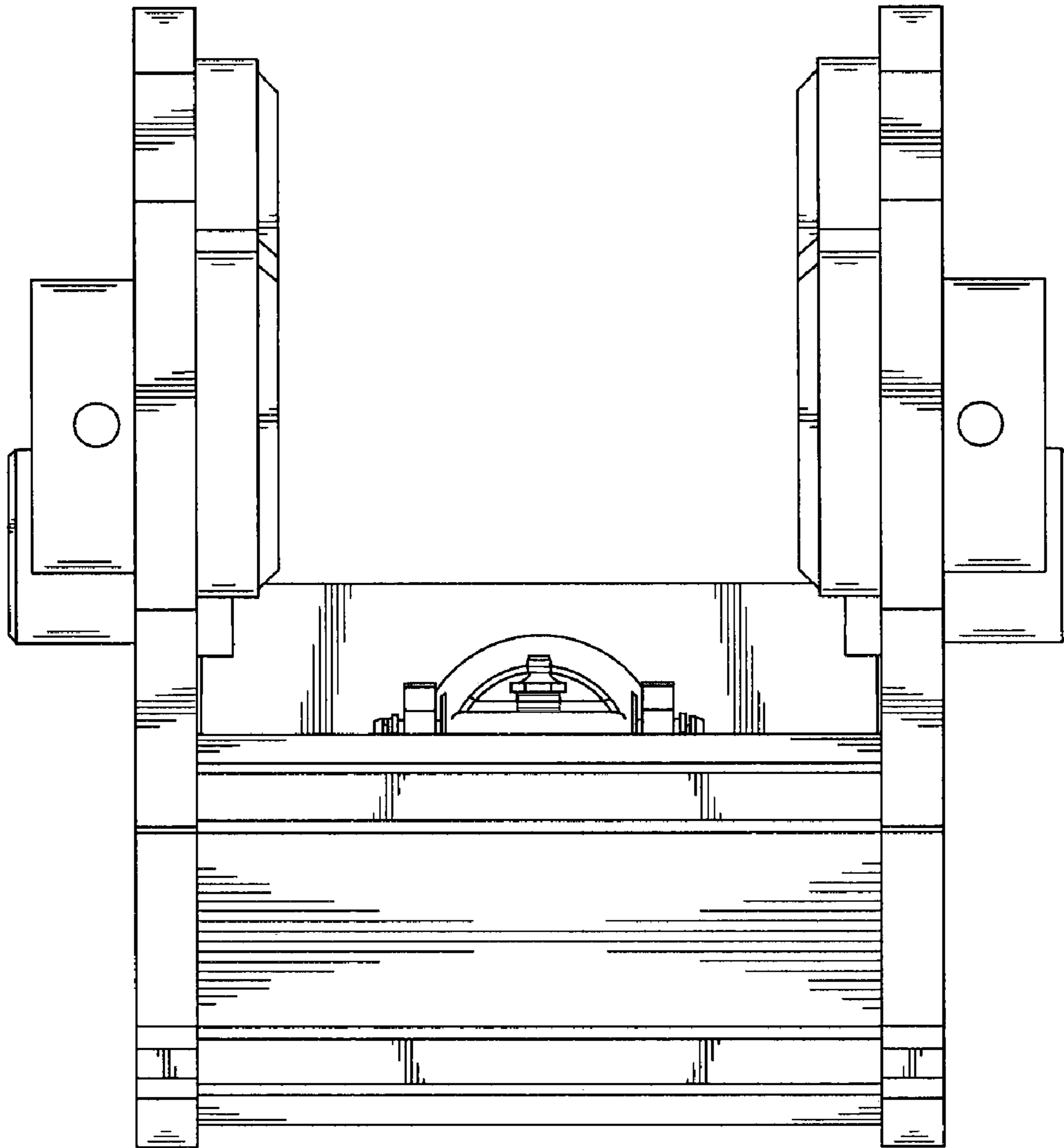


FIG. 5

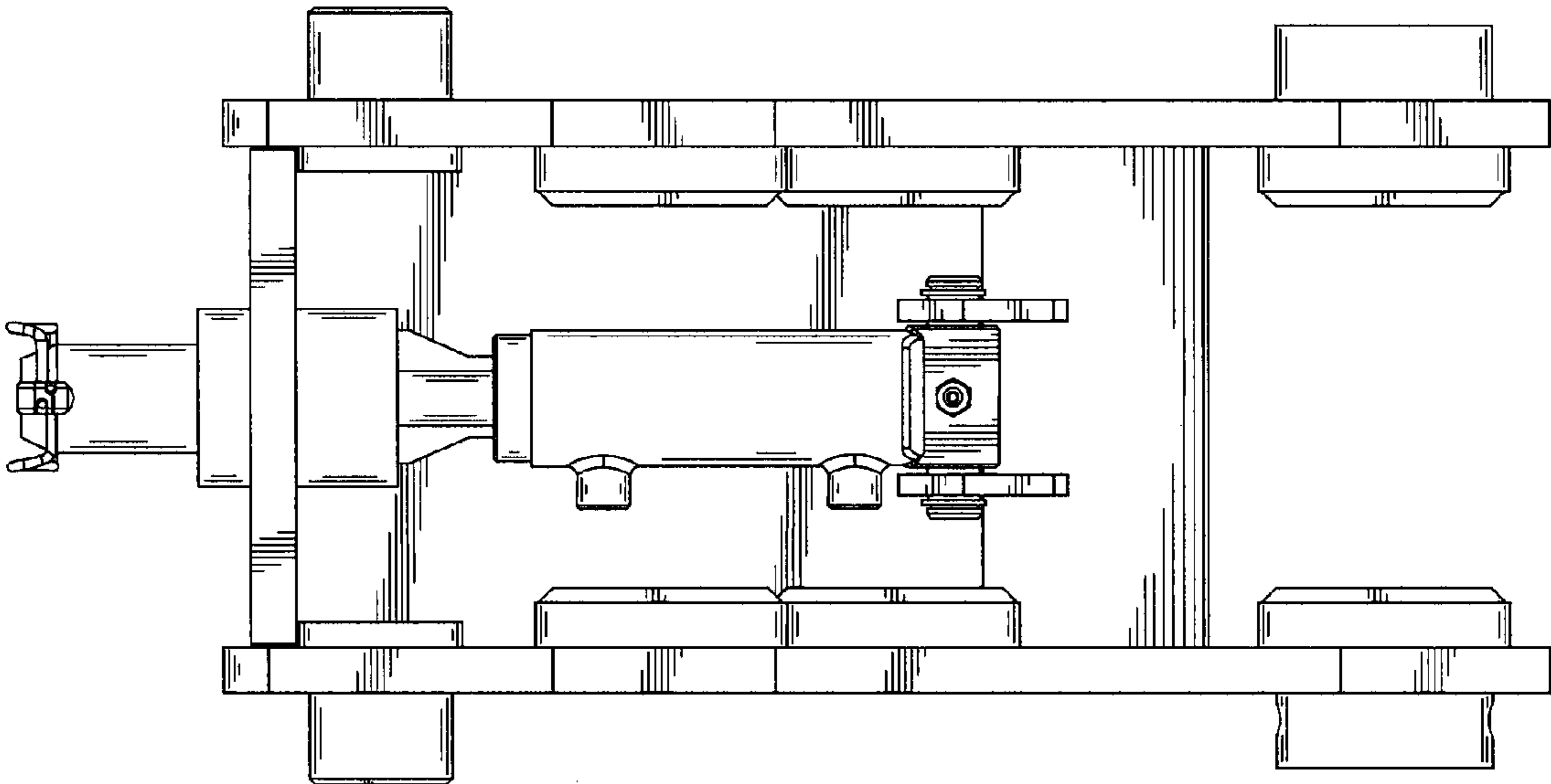


FIG. 6

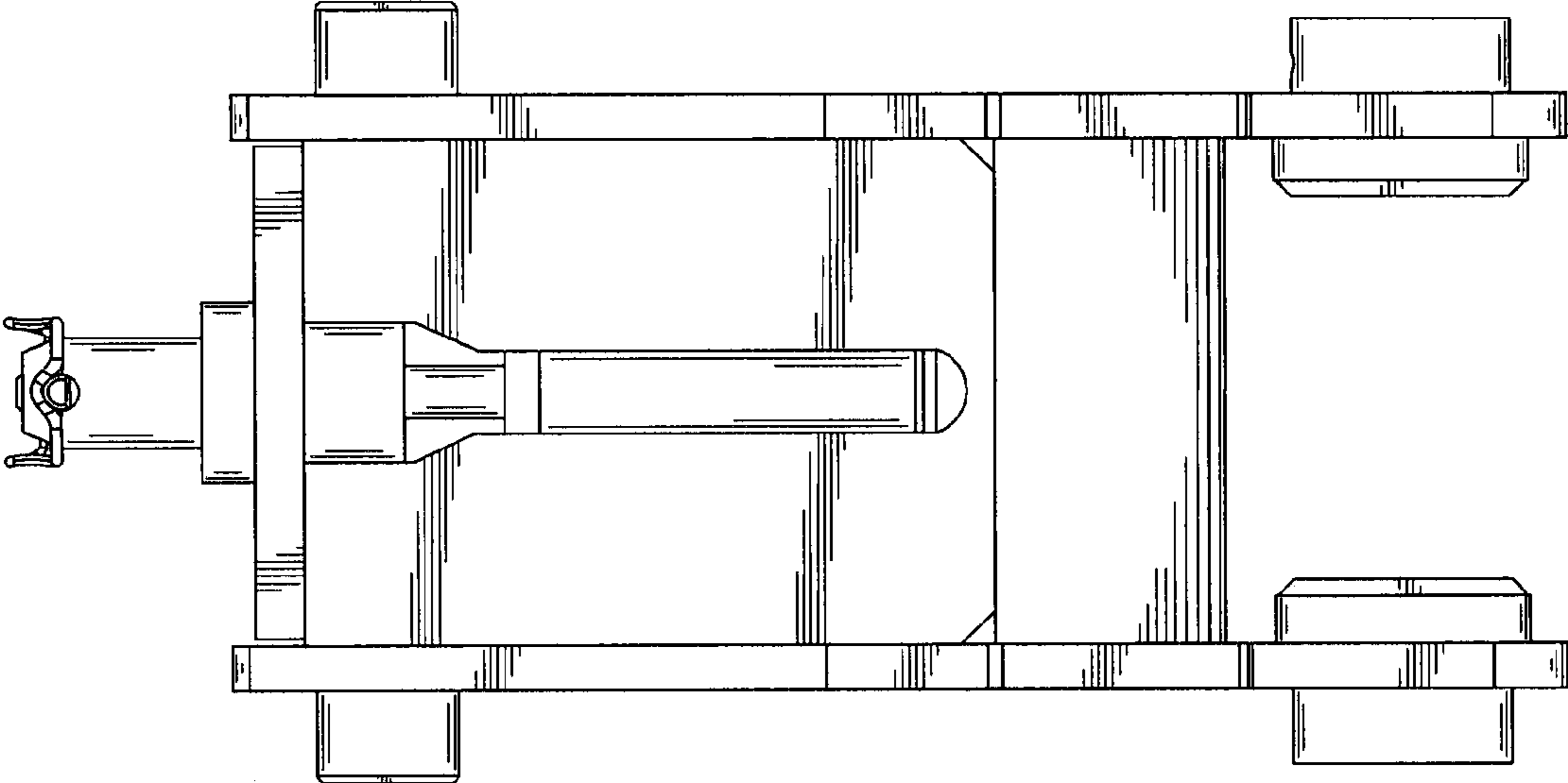


FIG. 7