



US00D620501S

(12) **United States Design Patent**
Ergodan et al.

(10) **Patent No.:** **US D620,501 S**
(45) **Date of Patent:** **** Jul. 27, 2010**

(54) **TRACTOR LINKAGE HOOK**
(75) Inventors: **Mehmet Ergodan**, Istnabul (TR); **Mesut Ergodan**, Istanbul (TR); **Muzaffer Cakmakci**, Istanbul (TR)
(73) Assignee: **Dovsan Dovme Celik ve Metal San. ve Tic. Limited Sirketi**, Istanbul (TR)
(**) Term: **14 Years**

4,147,374 A * 4/1979 Jeffes 280/478.1
4,157,838 A * 6/1979 von Allworden 280/508
4,279,431 A * 7/1981 Schott 280/508
4,366,967 A * 1/1983 Vollmer et al. 280/504
4,398,745 A * 8/1983 Azzarello et al. 280/508
5,050,684 A * 9/1991 Vollmer 172/272
5,441,117 A * 8/1995 Fartmann et al. 172/272
5,497,835 A * 3/1996 Laubner et al. 172/272
6,422,322 B1 * 7/2002 Hoffart 172/439
7,225,883 B2 * 6/2007 Yamada et al. 172/272
2005/0115723 A1 * 6/2005 Ollefs et al. 172/439

(21) Appl. No.: **29/317,291**

* cited by examiner

(22) Filed: **Apr. 25, 2008**

Primary Examiner—Mark A Goodwin

(30) **Foreign Application Priority Data**

(74) *Attorney, Agent, or Firm*—Venable, Campillo, Logan & Meaney, P.C.

Oct. 25, 2007 (TR) 2007/05369

(57) **CLAIM**

(51) **LOC (9) Cl.** **15-03**
(52) **U.S. Cl.** **D15/28**
(58) **Field of Classification Search** D15/28;
172/439, 272, 275; 280/508, 507, 510, 512,
280/504, 461.1; 37/231
See application file for complete search history.

The ornamental design for a tractor linkage hook, as shown and described.

(56) **References Cited**

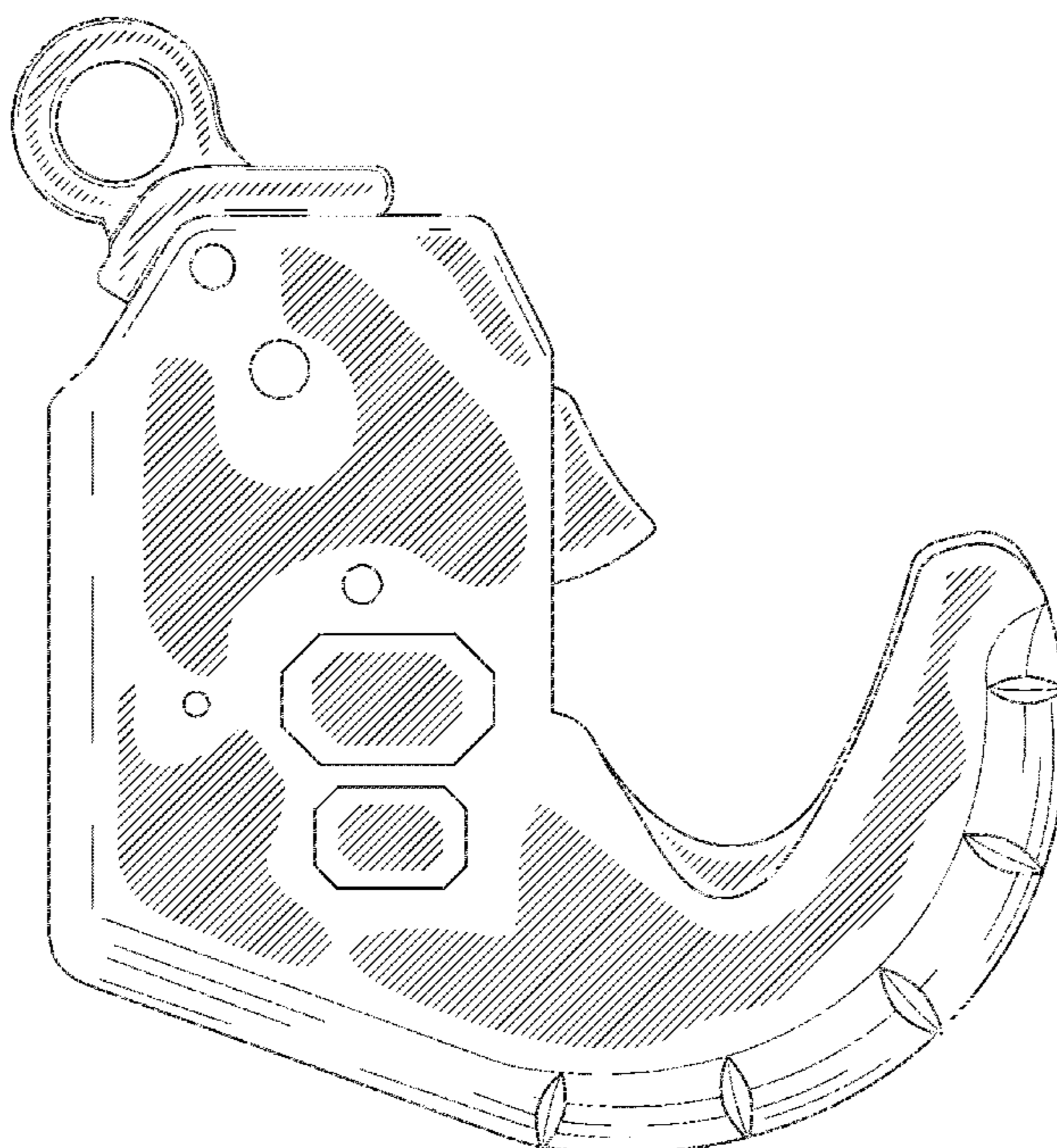
DESCRIPTION

U.S. PATENT DOCUMENTS

2,295,021 A * 9/1942 Weiss 280/506
2,429,761 A * 10/1947 Ketel 280/506
2,431,694 A * 12/1947 Johnson 280/504
3,977,698 A * 8/1976 von Allworden 172/272
4,014,562 A * 3/1977 Kunze 280/508
4,023,822 A * 5/1977 Geisthoff et al. 280/508
4,050,715 A * 9/1977 von Allworden 280/508
4,071,263 A * 1/1978 Kunze 280/508
4,108,464 A * 8/1978 von Allworden et al. 280/508

FIG. 1 is a top plan view of a tractor linkage hook showing my new design;
FIG. 2 is a perspective view thereof;
FIG. 3 is a side view thereof;
FIG. 4 is an opposite side view thereof; and,
FIG. 5 is a bottom perspective view thereof.
The rear view forms no part of the claimed design.
The broken line showing in FIGS. 2, 4, and 5 is included for the purpose of illustrating portions of the tractor linkage hook and forms no part of the claimed design.

1 Claim, 5 Drawing Sheets



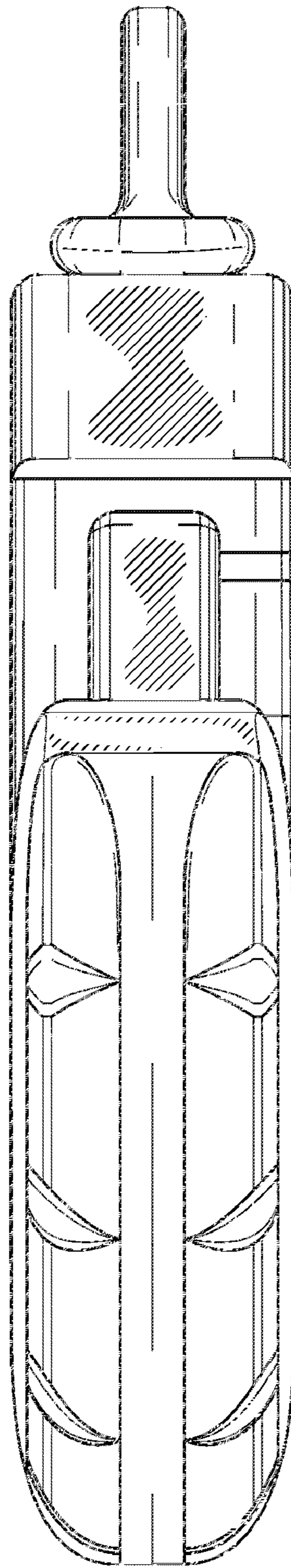


Fig. 1

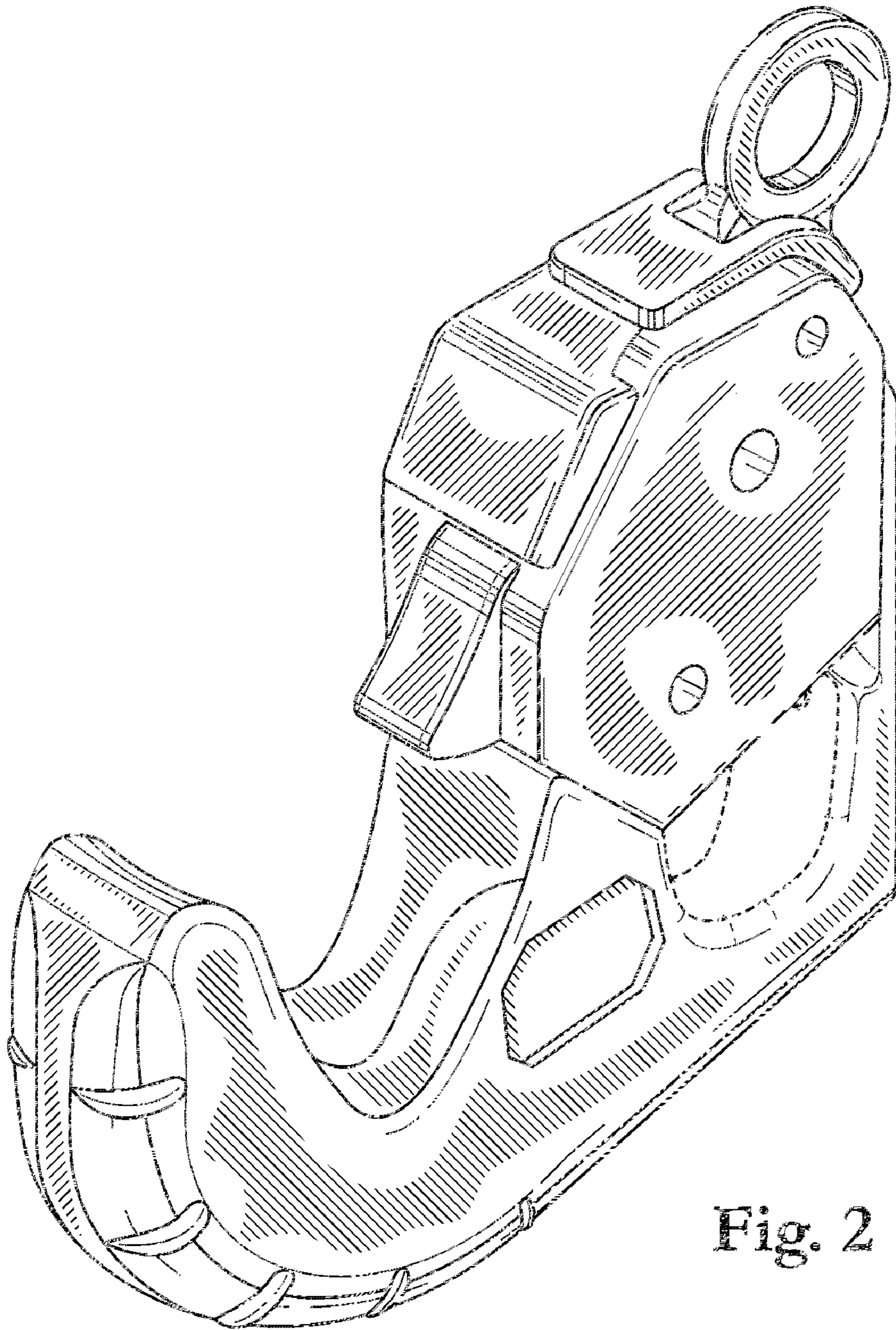


Fig. 2

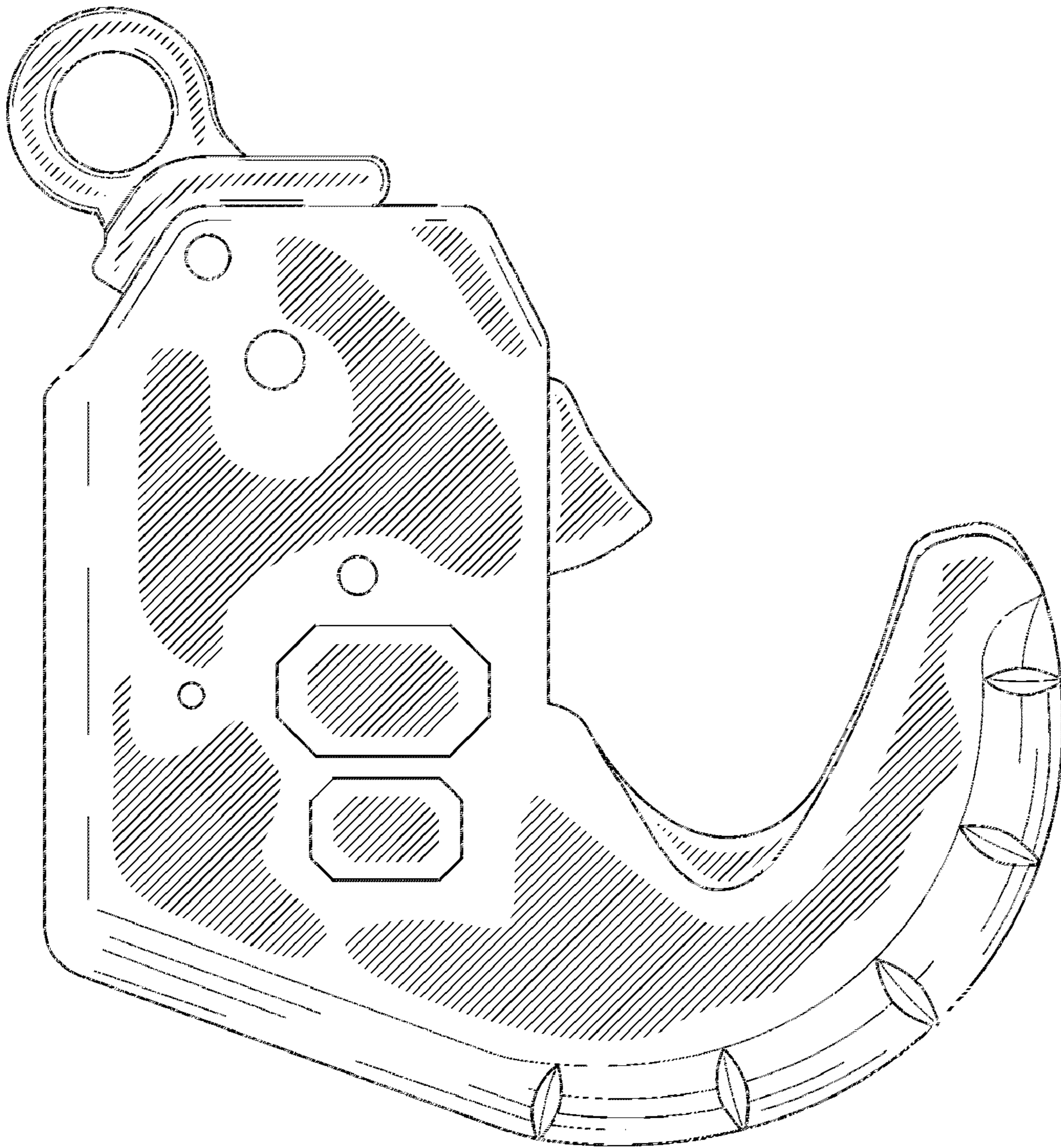


Fig. 3

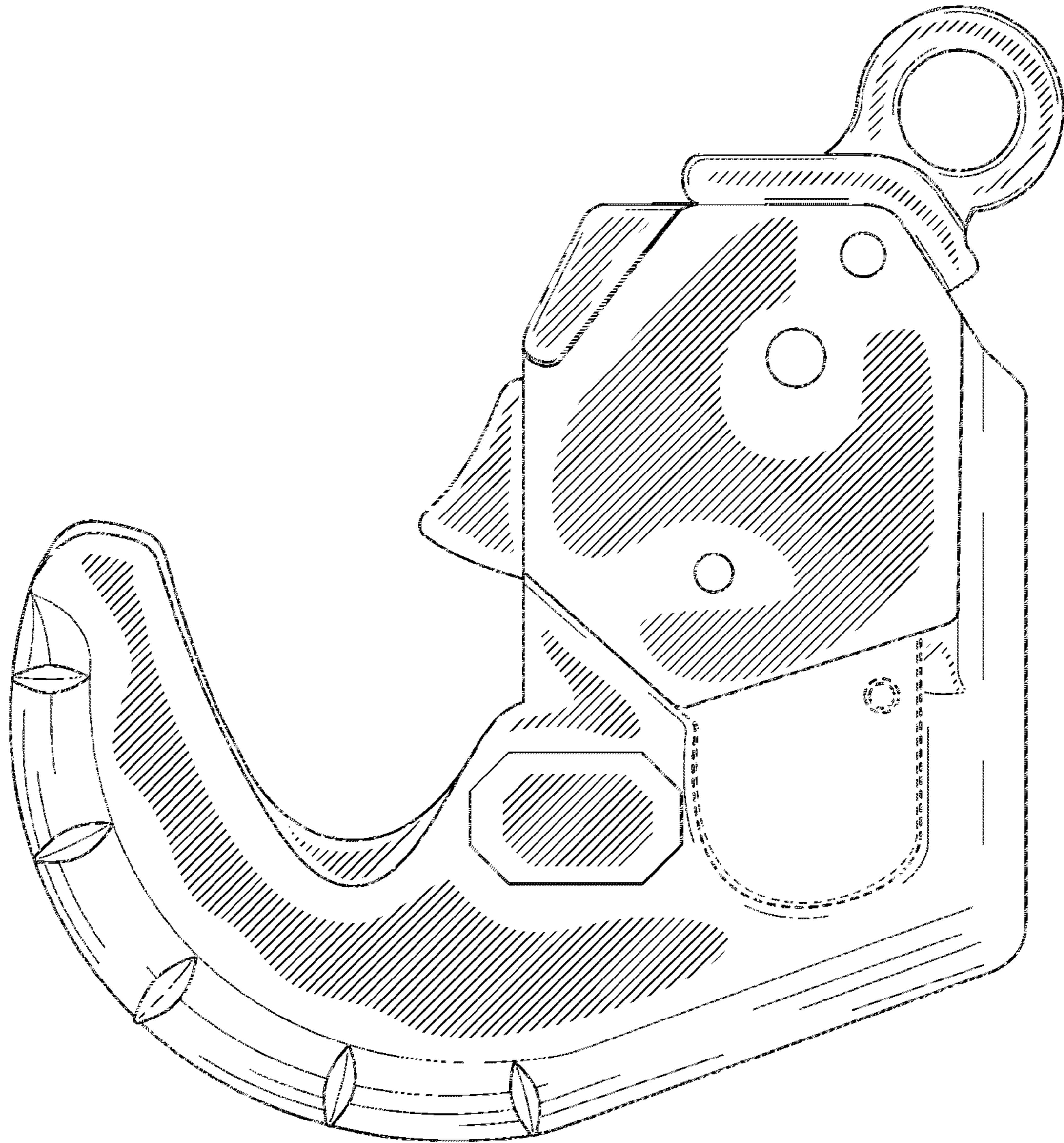


Fig. 4

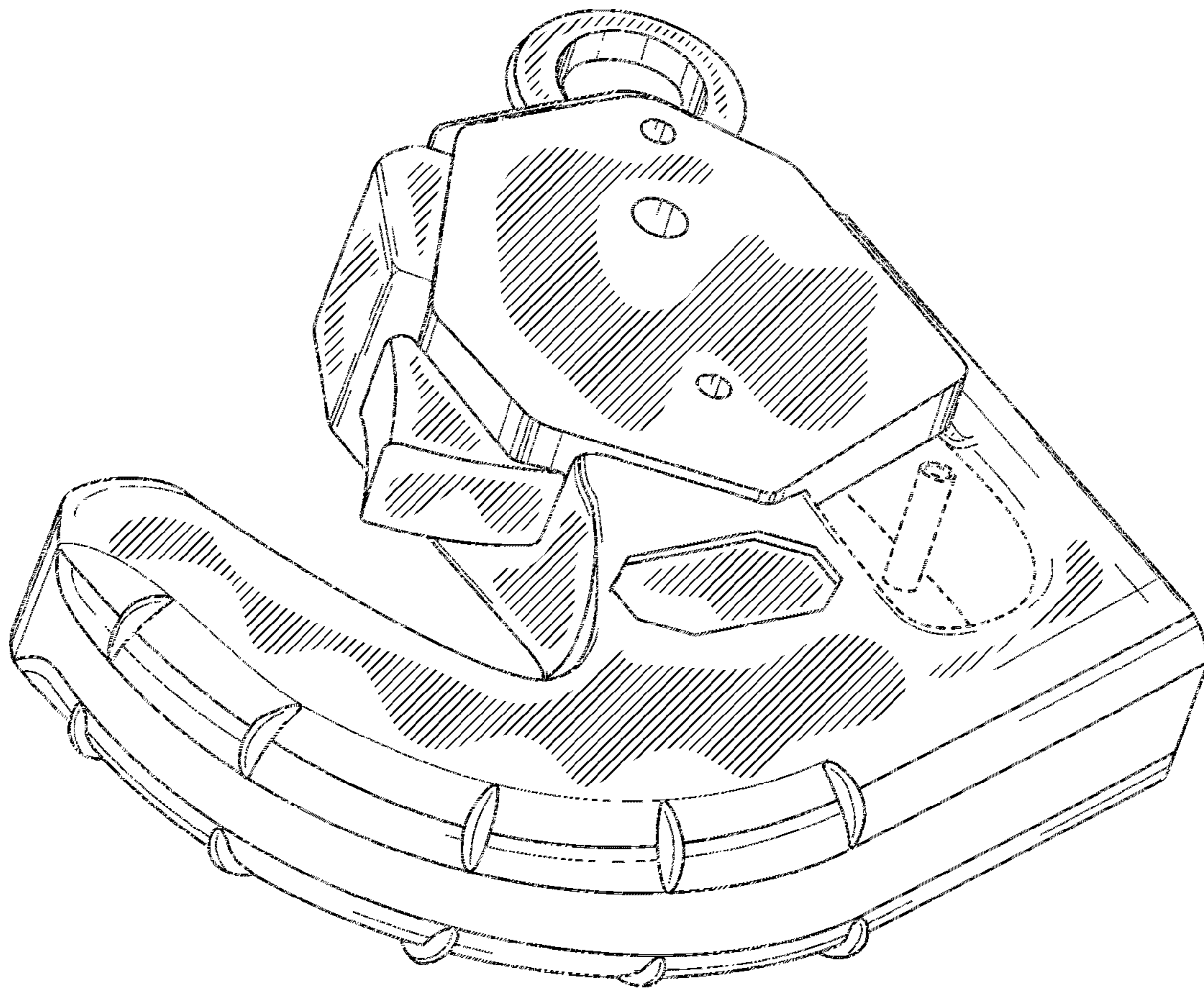


Fig. 5