



US00D620499S

(12) **United States Design Patent**
Sulzer et al.

(10) **Patent No.:** **US D620,499 S**
(45) **Date of Patent:** **** Jul. 27, 2010**

(54) **FLUID PUMP ASSEMBLY**

D539,309 S * 3/2007 Matsuoka et al. D15/9

(75) Inventors: **Christopher J. Sulzer**, St. Louis Park, MN (US); **James J. Handzel**, Golden Valley, MN (US)

* cited by examiner

Primary Examiner—Ralf Seifert
(74) *Attorney, Agent, or Firm*—Christopher J. Volkmann; Westman, Champlin & Kelly, P.A.

(73) Assignee: **Wagner Spray Tech Corporation**, Plymouth, MN (US)

(57) **CLAIM**

(**) Term: **14 Years**

The ornamental design for a fluid pump assembly, as shown.

(21) Appl. No.: **29/346,426**

DESCRIPTION

(22) Filed: **Oct. 30, 2009**

FIG. 1 is a perspective view of the fluid pump assembly.

(51) **LOC (9) Cl.** **15-02**

FIG. 2 is a front view of the fluid pump assembly.

(52) **U.S. Cl.** **D15/7**

FIG. 3 is a back view of the fluid pump assembly.

(58) **Field of Classification Search** D15/7-9;
D23/231, 232, 225; 417/410.1, 359, 415-416,
417/234, 321, 265, 405

FIG. 4 is a left side view of the fluid pump assembly.

FIG. 5 is a right side view of the fluid pump assembly.

See application file for complete search history.

FIG. 6 is a top view of the fluid pump assembly; and,

FIG. 7 is a bottom view of the fluid pump assembly.

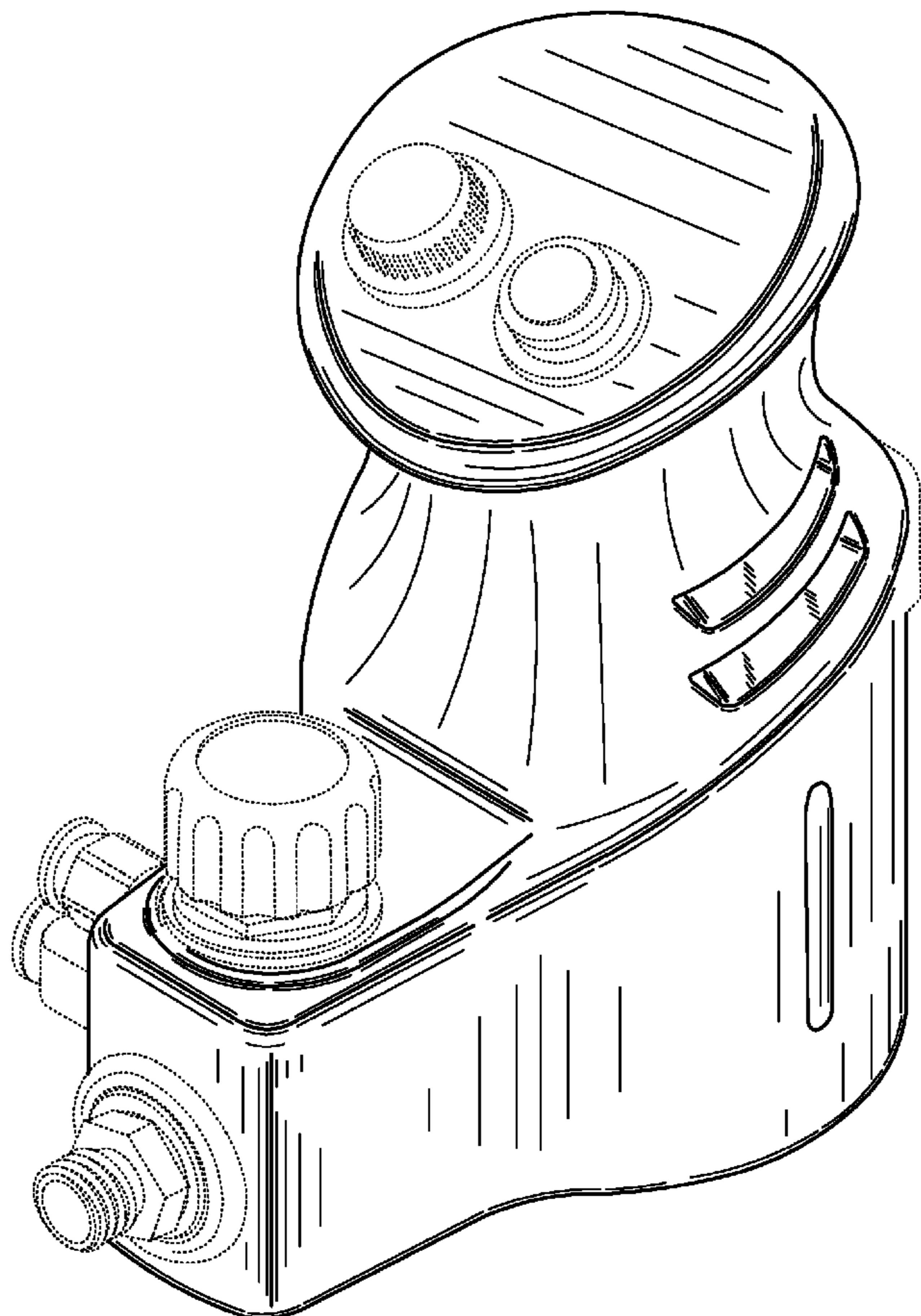
(56) **References Cited**

Features illustrated with dashed lines are not considered features of the invention being claimed, but rather illustrate an exemplary environment for the claimed features illustrated with solid lines.

U.S. PATENT DOCUMENTS

- D364,172 S * 11/1995 Jensen et al. D15/7
- D443,881 S * 6/2001 Tsai D15/7
- D498,241 S * 11/2004 Song et al. D15/7
- D500,770 S * 1/2005 Pohler D15/7

1 Claim, 7 Drawing Sheets



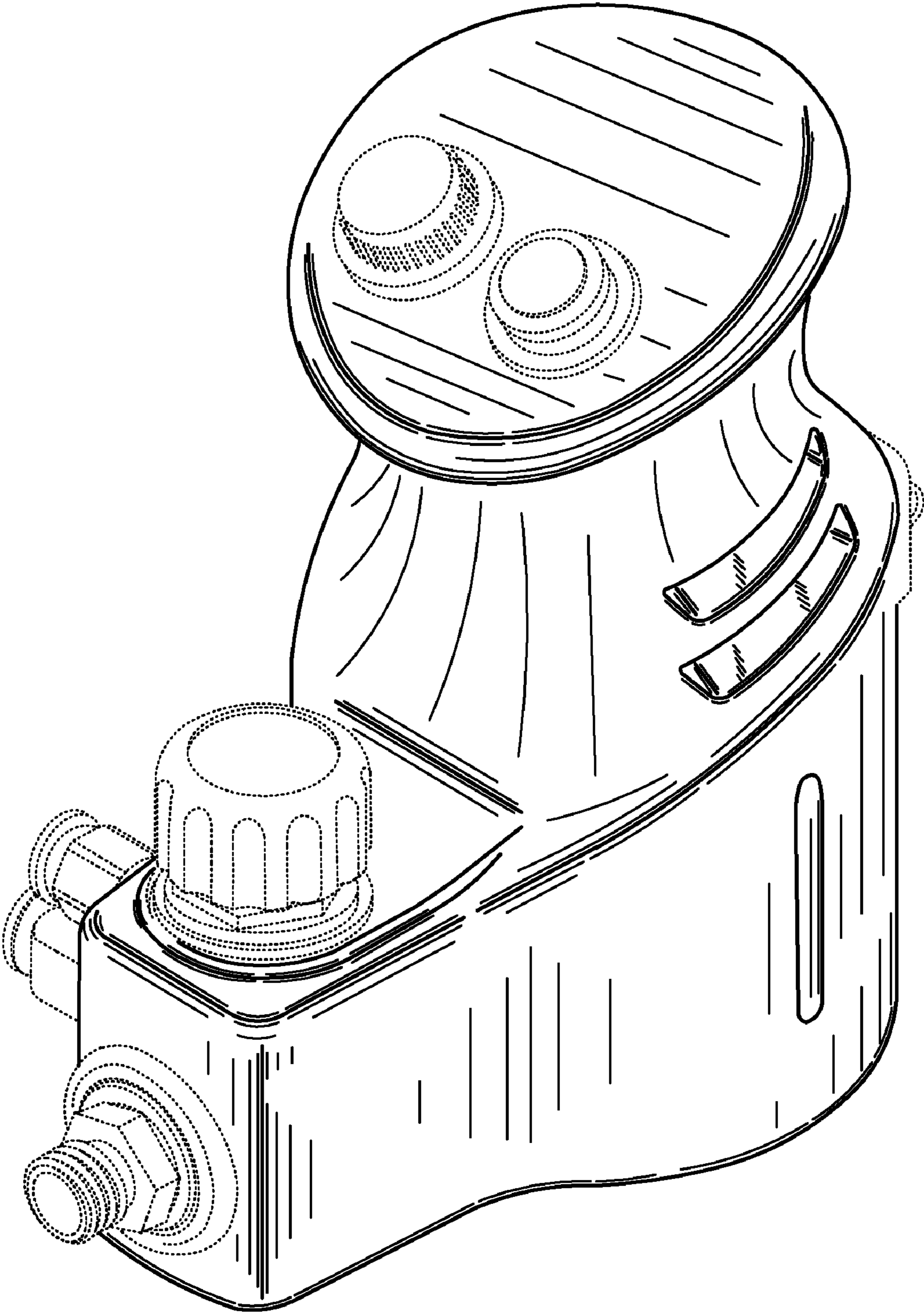


Fig. 1

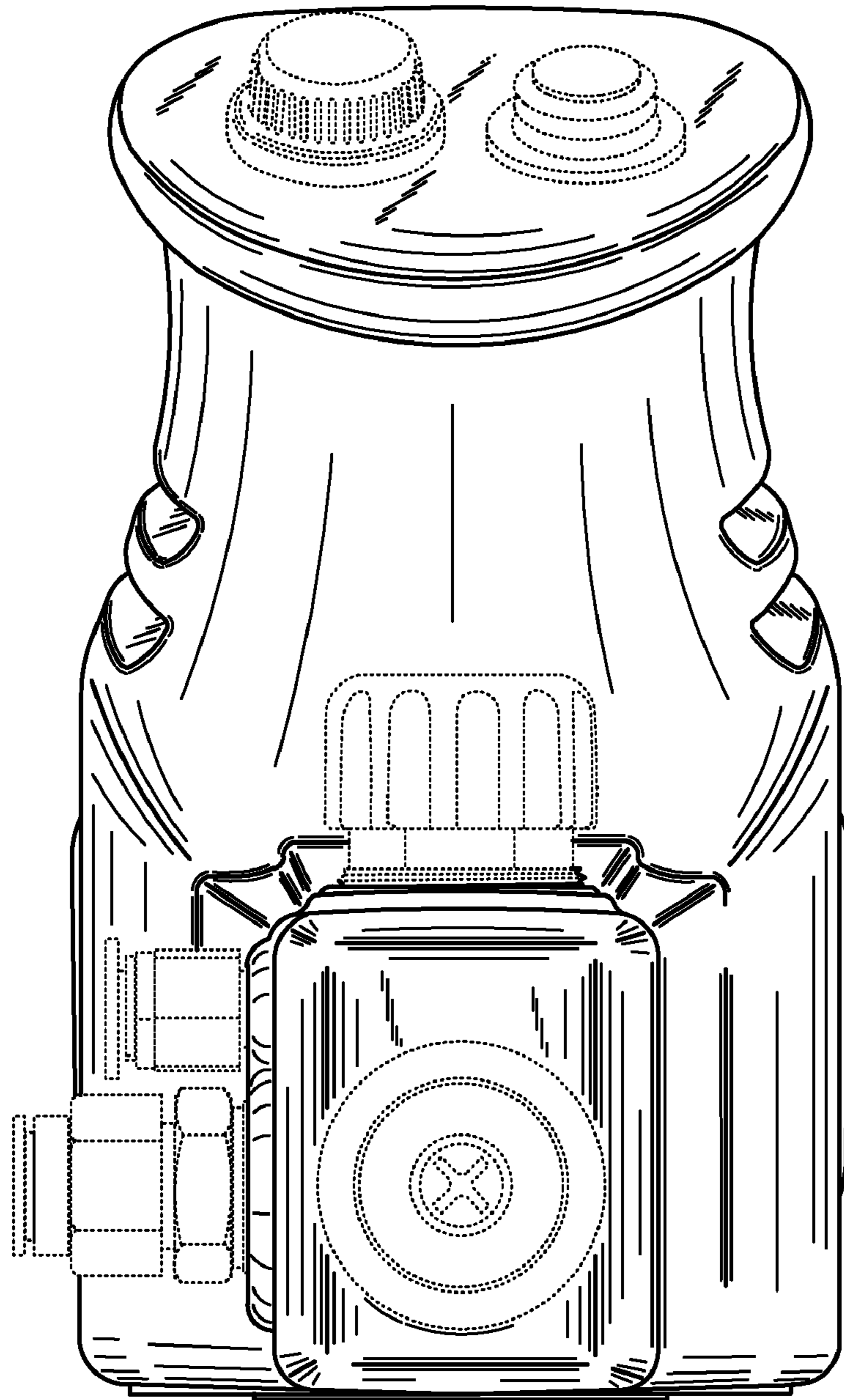


Fig. 2

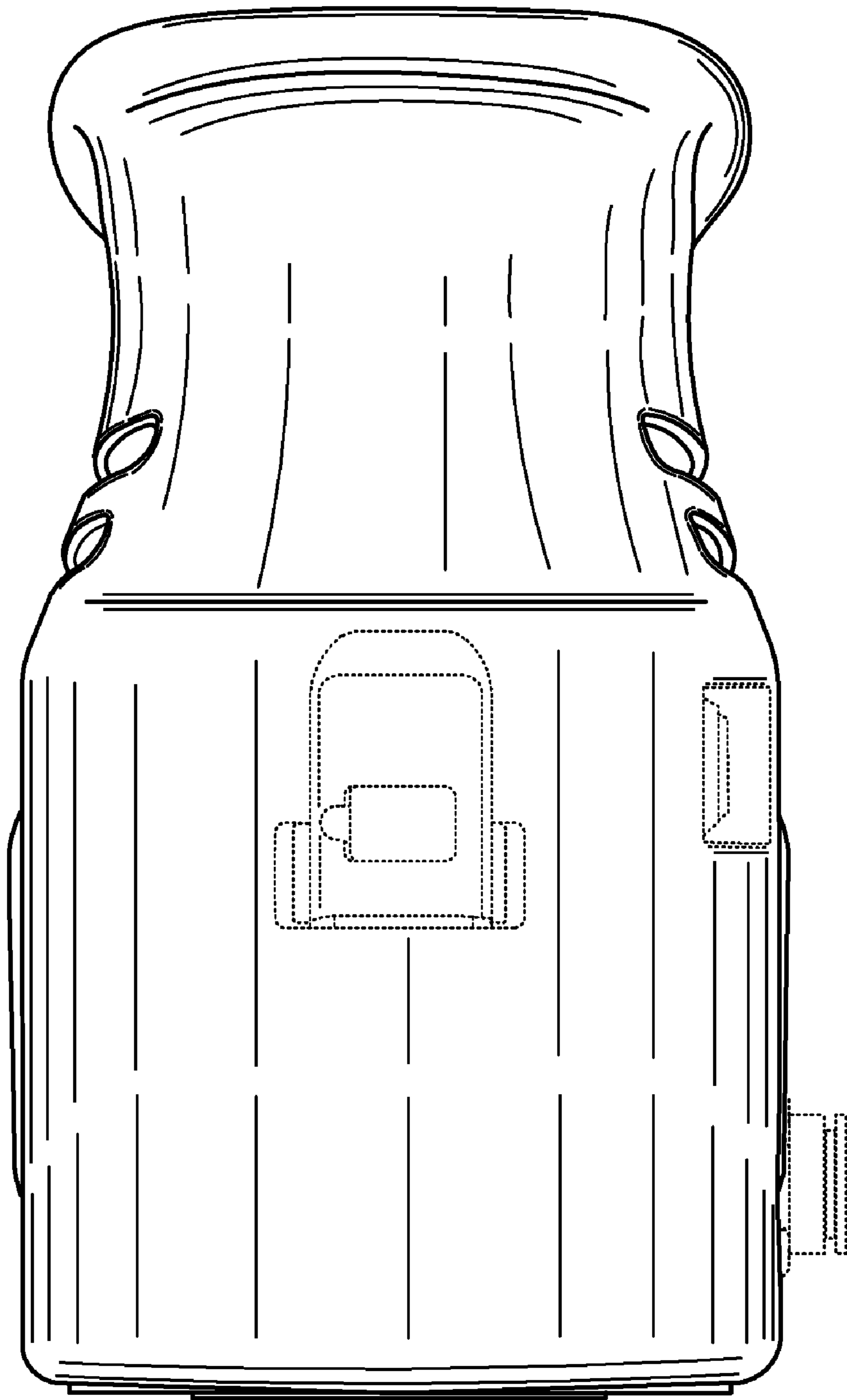


Fig. 3

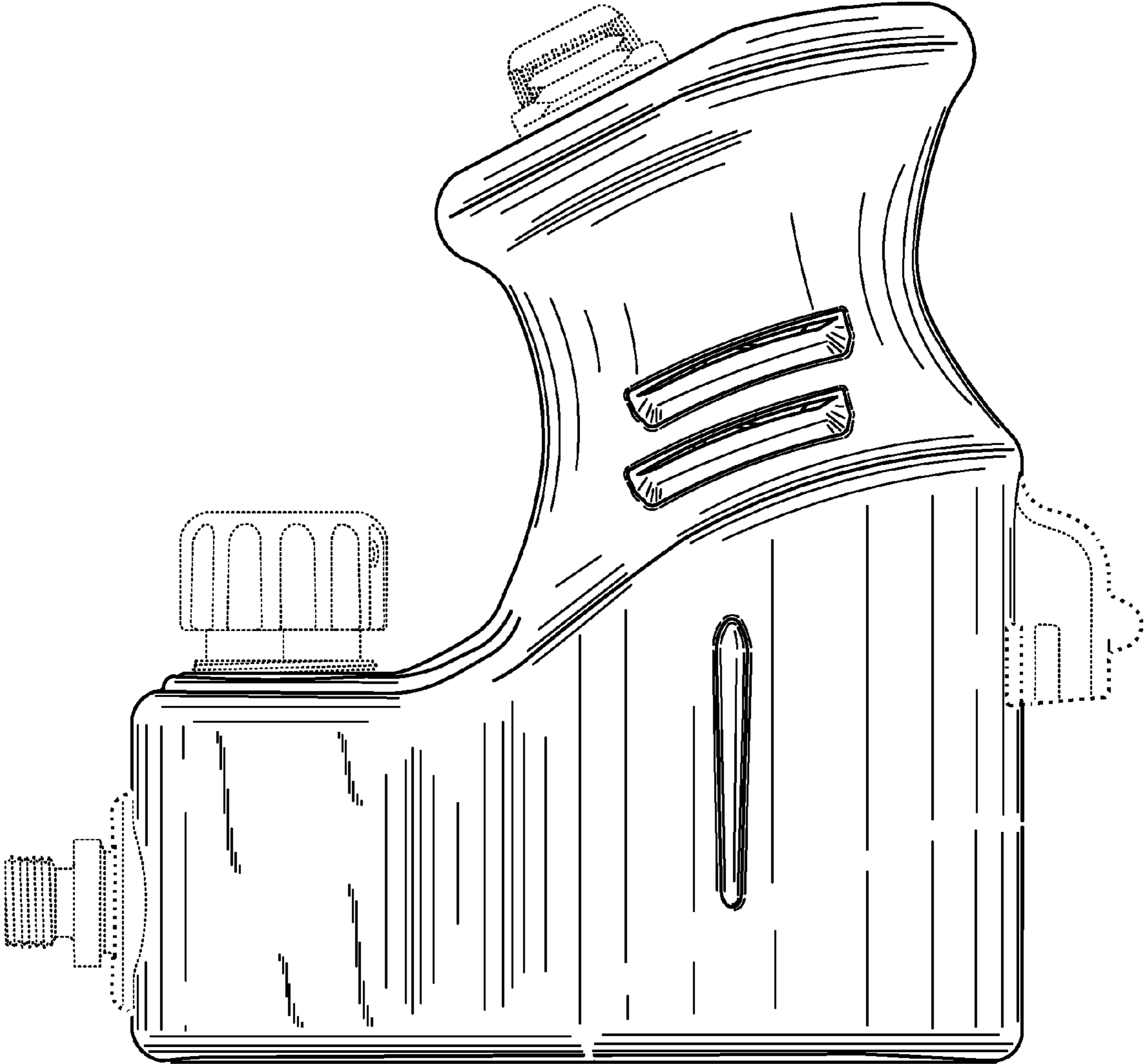


Fig. 4

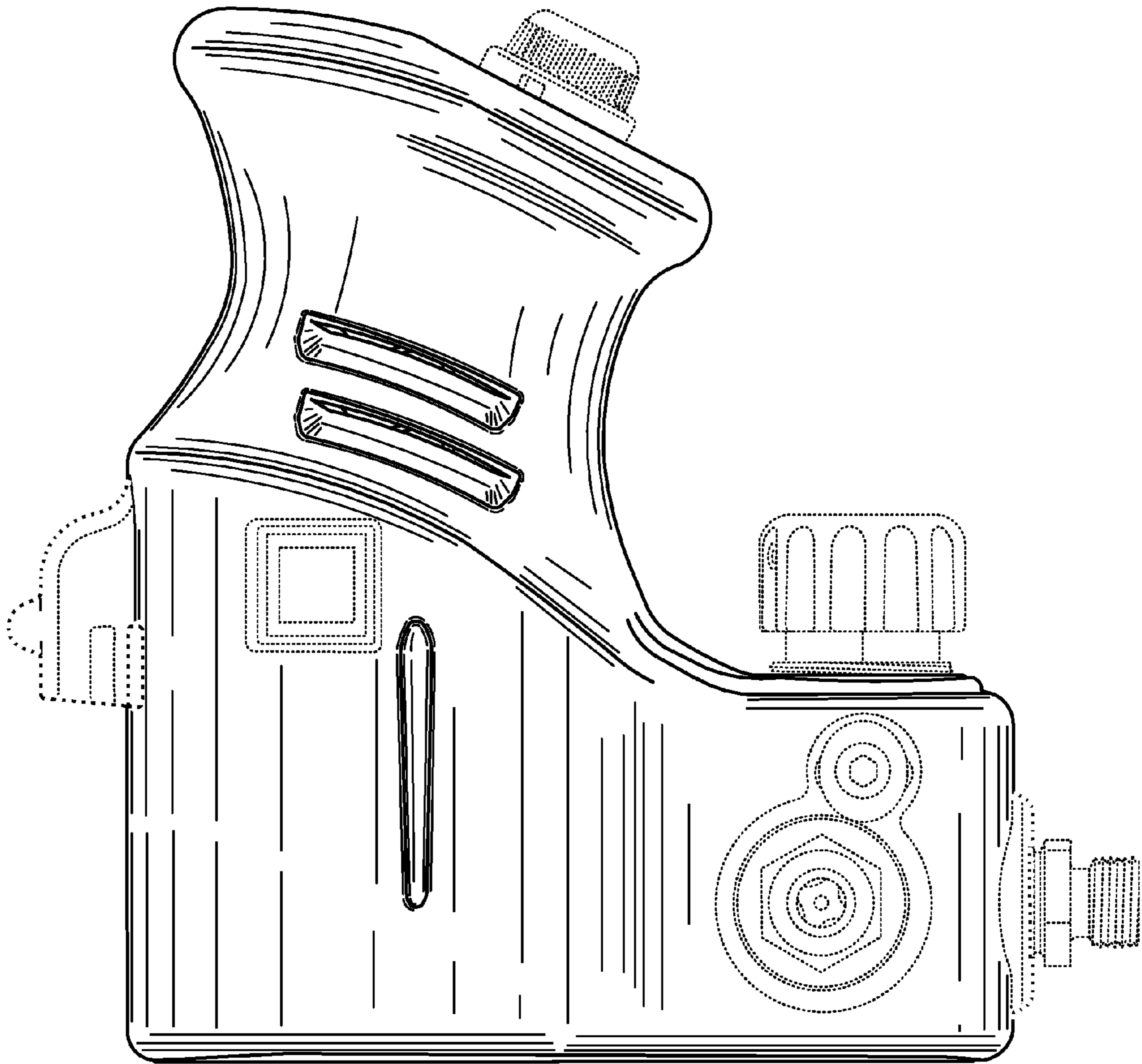


Fig. 5

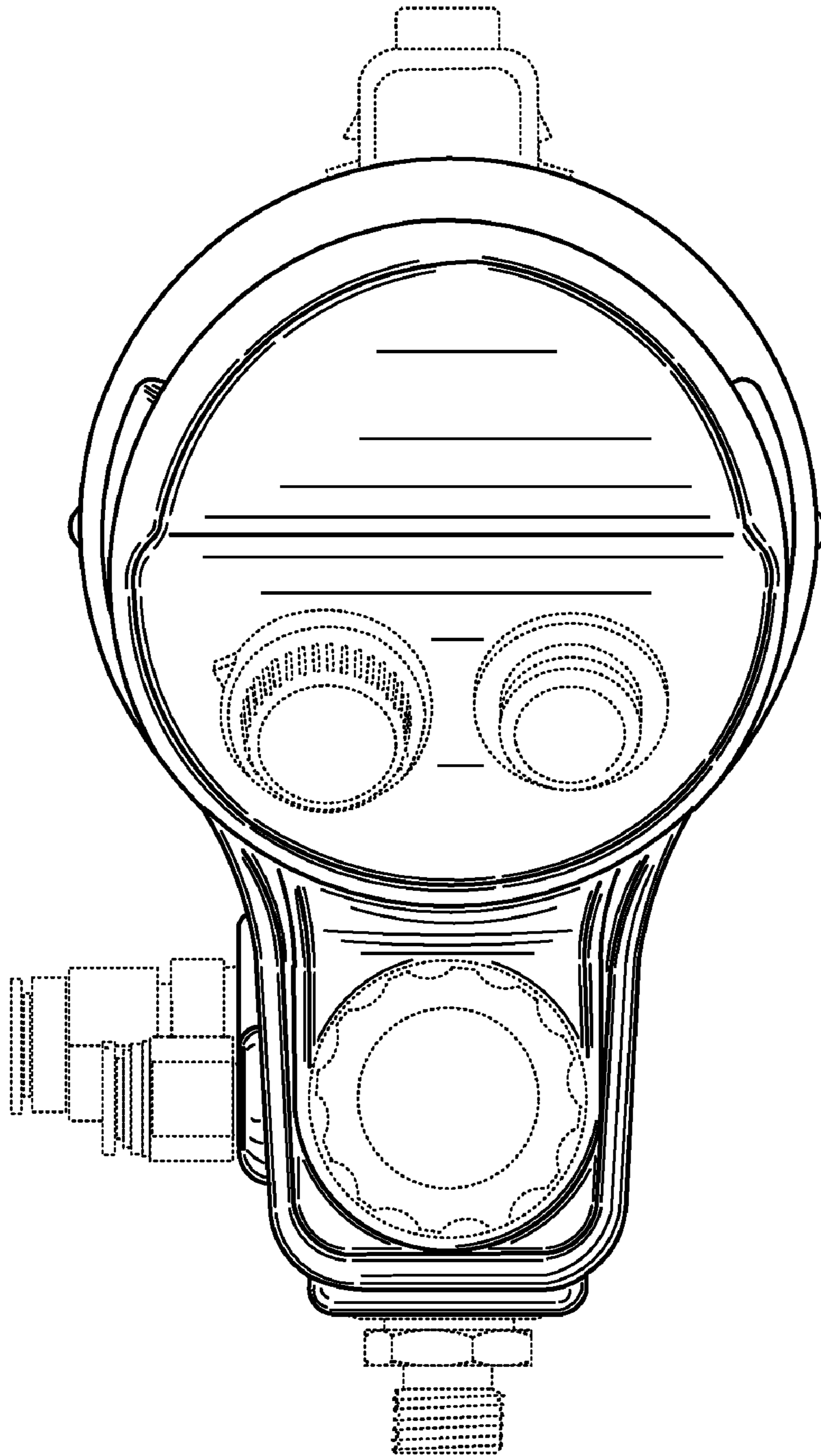


Fig. 6

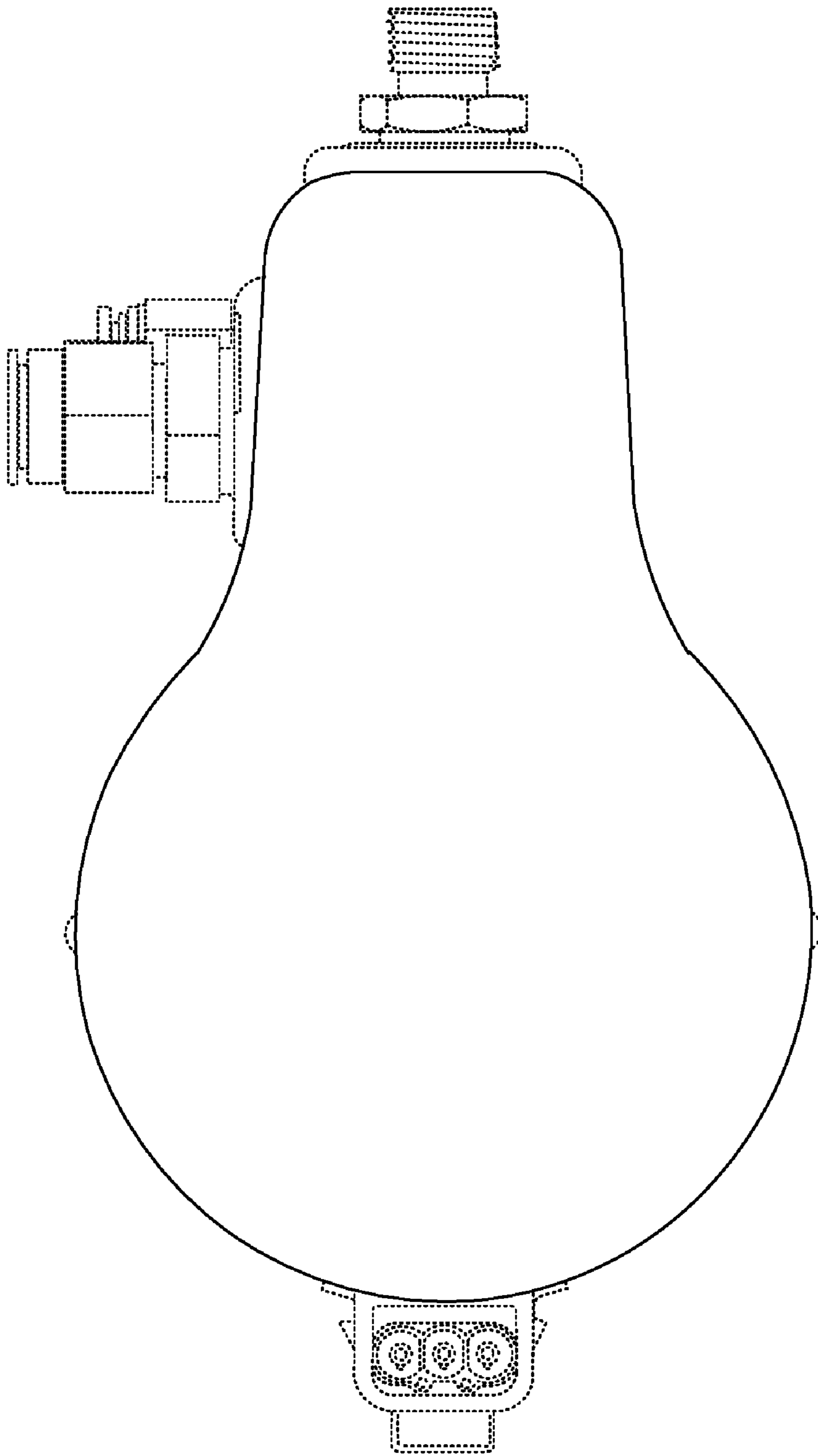


Fig. 7