



US00D620497S

(12) **United States Design Patent**  
**Hwang Bo et al.**

(10) **Patent No.:** **US D620,497 S**  
(45) **Date of Patent:** **\*\* Jul. 27, 2010**

(54) **DVD PLAYER**

D512,392 S \* 12/2005 Yamamoto ..... D14/502  
D530,691 S \* 10/2006 Moriya et al. .... D14/506  
D537,425 S \* 2/2007 Park ..... D14/502

(75) Inventors: **Deung Hwang Bo**, Seoul (KR); **Hyun Hee You**, Gyeonggi-do (KR); **Jung Hoi Choi**, Seoul (KR)

\* cited by examiner

(73) Assignee: **LG Electronics Inc.**, Seoul (KR)

*Primary Examiner*—Nanda Bondade  
(74) *Attorney, Agent, or Firm*—Morgan Lewis & Bockius LLP

(\*\*) Term: **14 Years**

(21) Appl. No.: **29/352,096**

(57) **CLAIM**

(22) Filed: **Dec. 16, 2009**

The ornamental design for a DVD player, as shown and described.

(30) **Foreign Application Priority Data**

**DESCRIPTION**

Jun. 17, 2009 (KR) ..... 30-2009-0026824

FIG. 1 is a top, front, perspective view of a DVD player showing our new design;

(51) **LOC (9) Cl.** ..... **14-01**

FIG. 2 is a front view thereof;

(52) **U.S. Cl.** ..... **D14/505**

FIG. 3 is a rear view thereof;

(58) **Field of Classification Search** ..... D14/496,  
D14/498-511, 157, 167-168, 188, 197-198,  
D14/257, 258; 360/99.02, 99.07; 369/75.11,  
369/75.21, 77.11, 77.21; 720/601, 612, 619,  
720/649, 655; 455/344, 347-351  
See application file for complete search history.

FIG. 4 is a left side view thereof;

FIG. 5 is a right side view thereof;

FIG. 6 is a top plan view thereof;

FIG. 7 is a bottom plan view thereof; and,

FIG. 8 is a front view thereof, shown in an open position of a DVD insert hole.

(56) **References Cited**

**U.S. PATENT DOCUMENTS**

D511,758 S \* 11/2005 Allen ..... D14/506

**1 Claim, 3 Drawing Sheets**

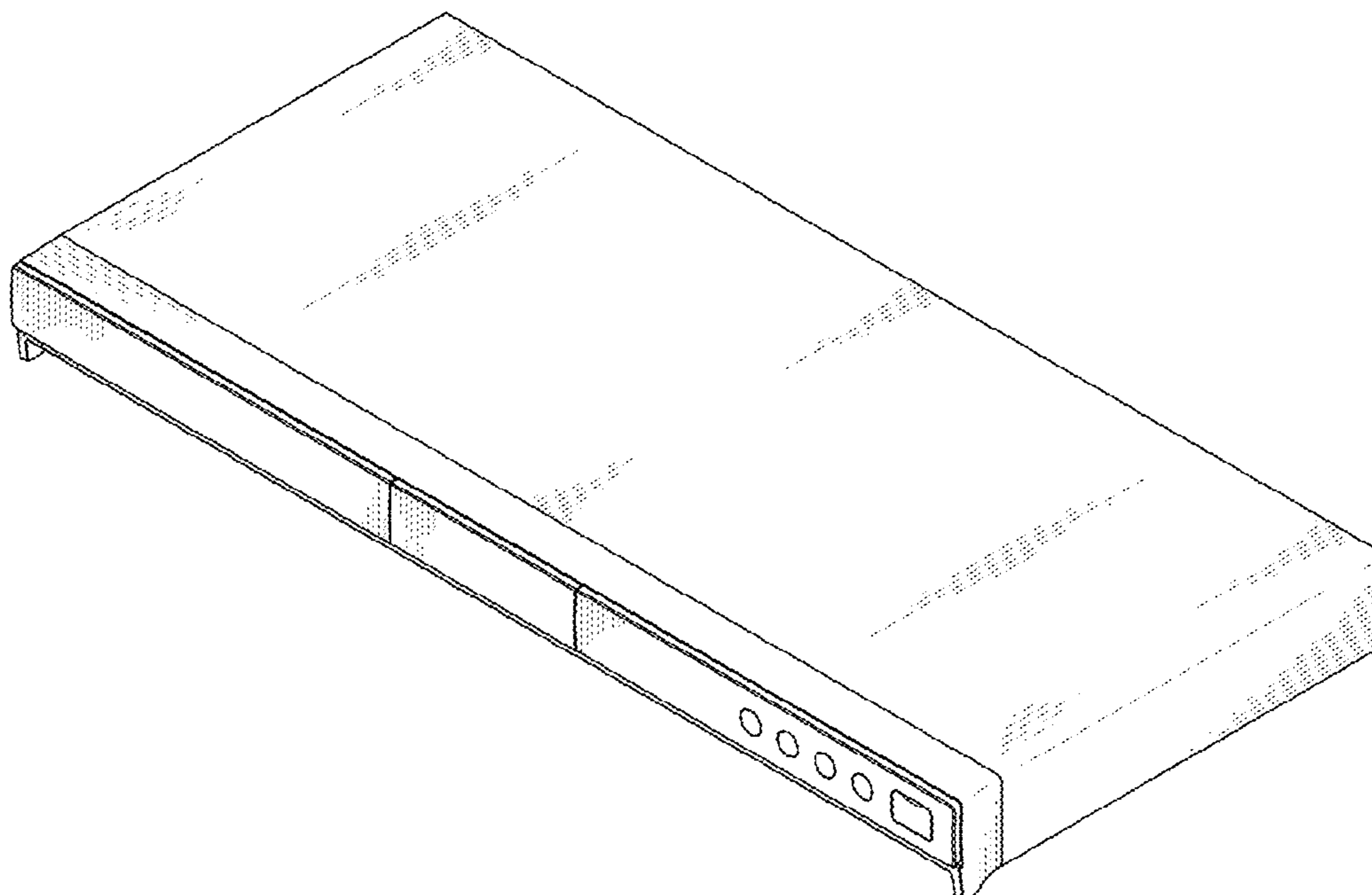


FIG. 1

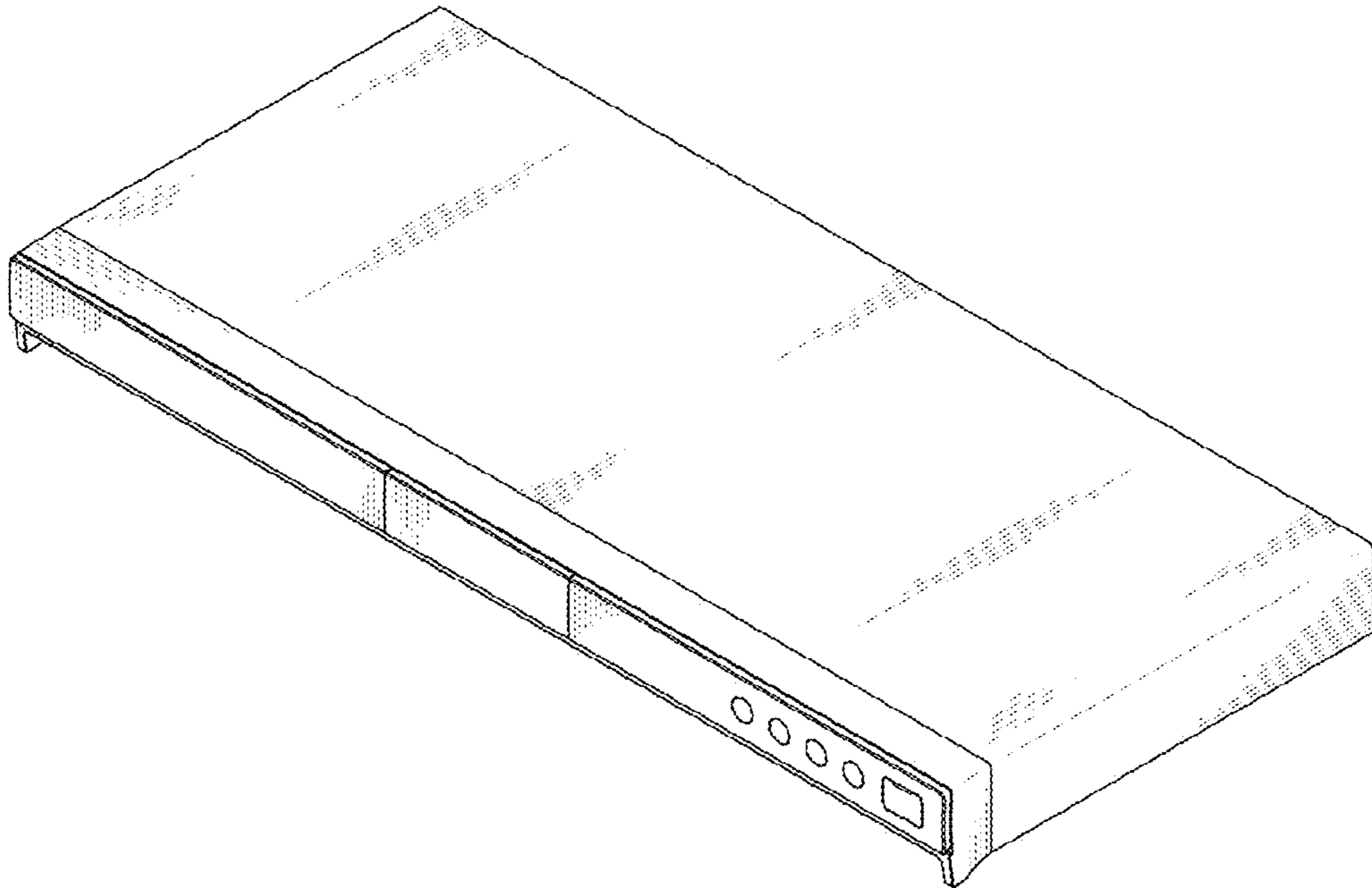


FIG. 2

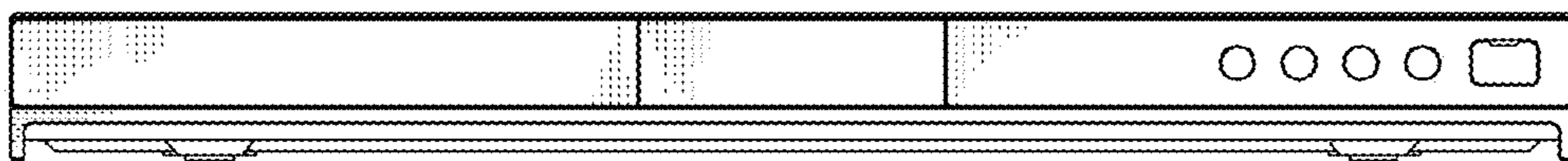


FIG. 3

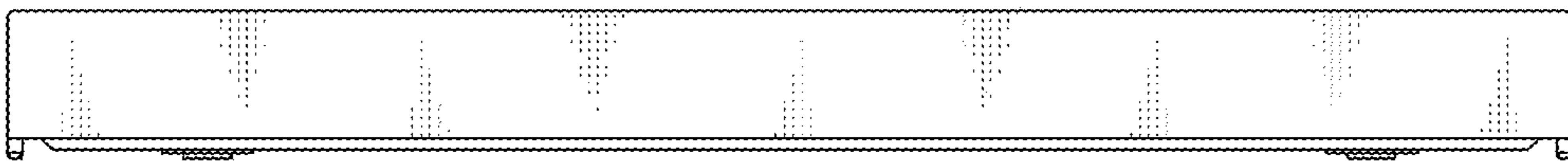


FIG. 4



FIG. 5

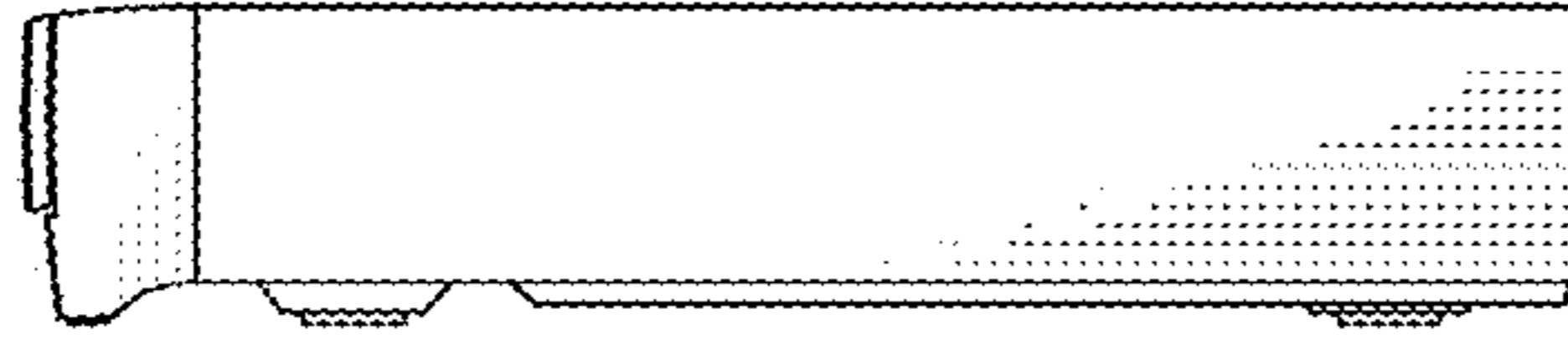


FIG. 6

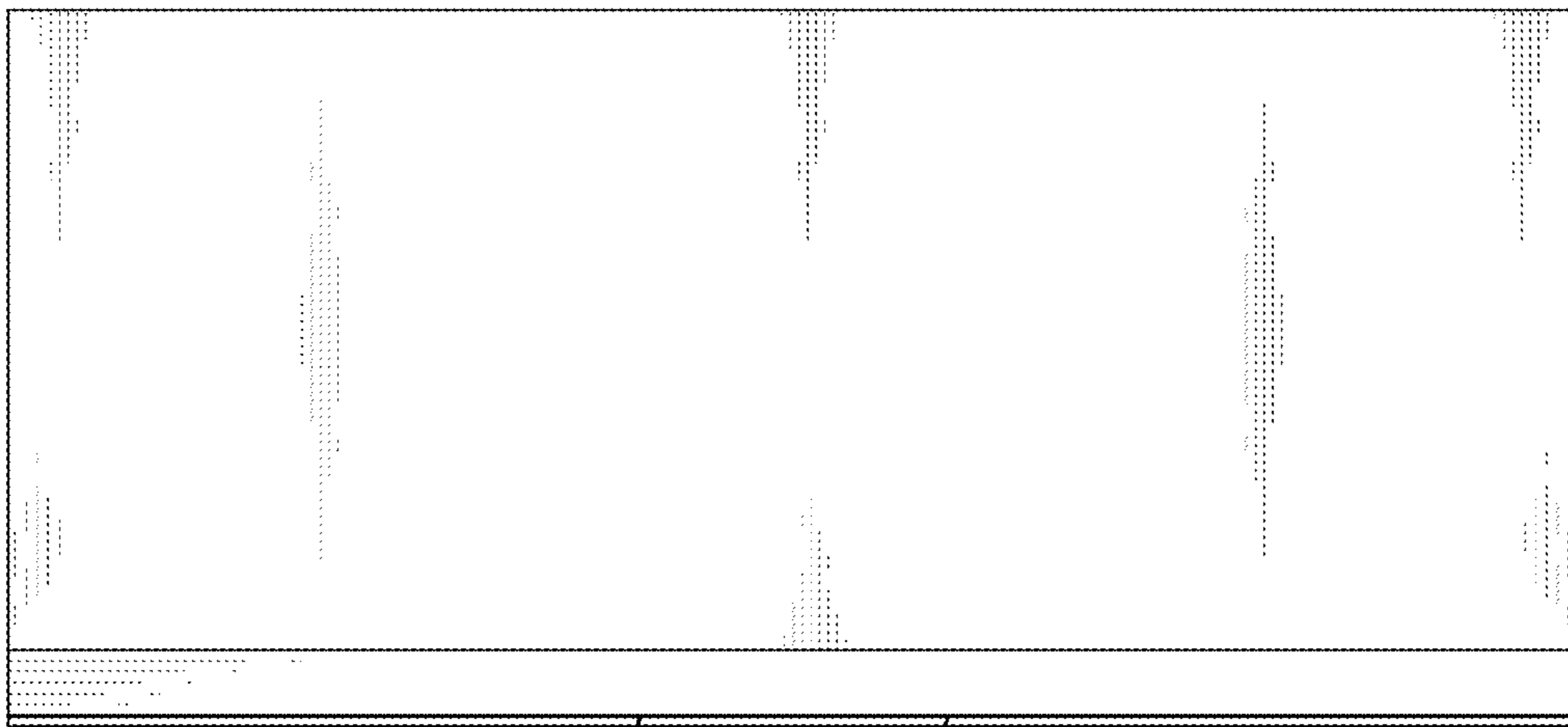


FIG. 7

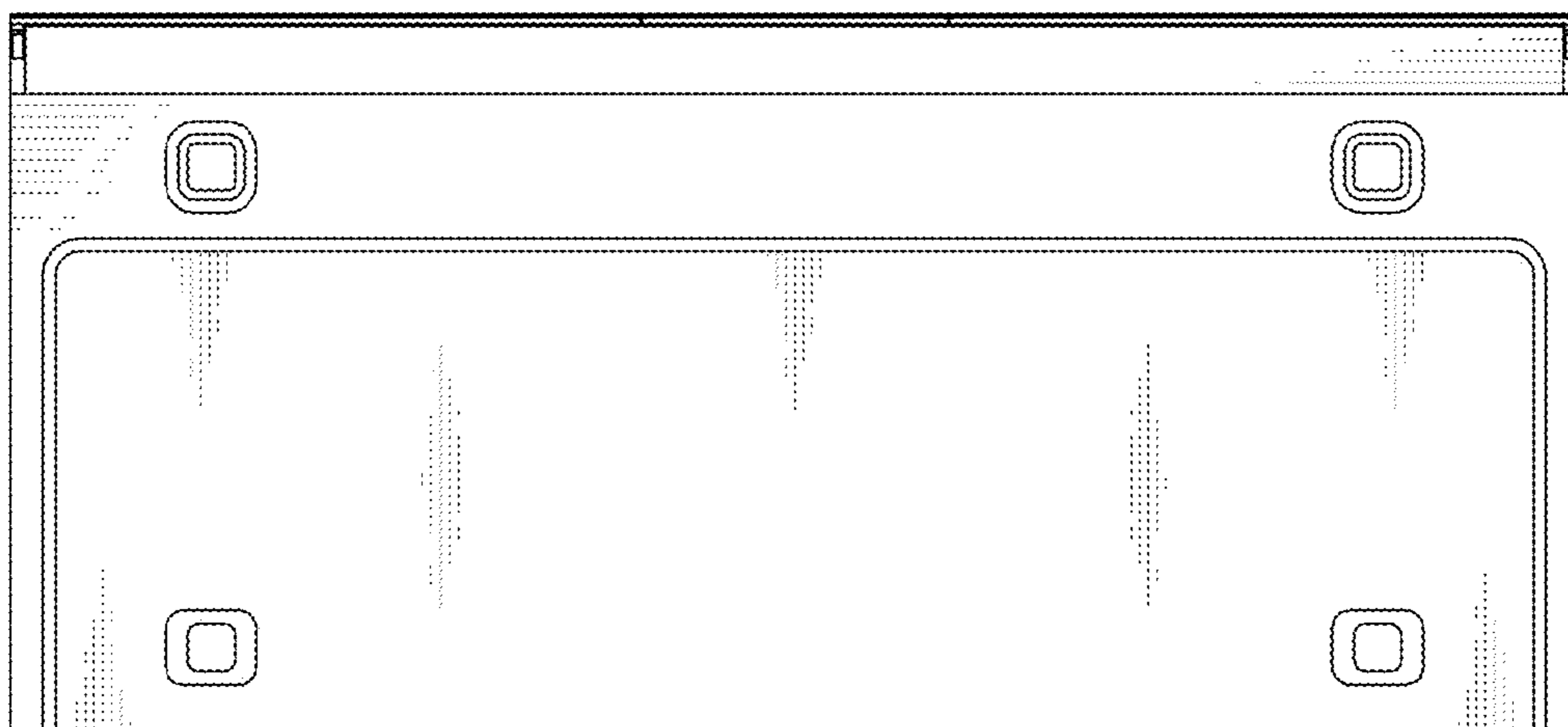


FIG. 8

