



US00D620491S

(12) **United States Design Patent**
Wu

(10) **Patent No.:** **US D620,491 S**
(45) **Date of Patent:** **** Jul. 27, 2010**

(54) **TOUCH SCREEN PEN FOR ELECTRONIC DEVICE WITH CAMERA FUNCTION**

(75) Inventor: **Cheng-Shiun Wu**, Taipei Hsien (TW)

(73) Assignee: **Hon Hai Precision Industry Co., Ltd.**,
Tu-Cheng, Taipei Hsien (TW)

(**) Term: **14 Years**

(21) Appl. No.: **29/346,656**

(22) Filed: **Nov. 4, 2009**

(30) **Foreign Application Priority Data**

Jun. 18, 2009 (CN) 2009 3 0306488

(51) **LOC (9) Cl.** **14-02**

(52) **U.S. Cl.** **D14/411; D16/244**

(58) **Field of Classification Search** D8/61;
D14/411, 431, 404, 390; D19/35, 36, 41-51,
D19/54-58; 401/99, 100, 104-107; 345/179,
345/173; 178/19.01, 19.03; 700/94; D21/330;
715/863; D16/244

See application file for complete search history.

(56) **References Cited**

U.S. PATENT DOCUMENTS

- D243,328 S * 2/1977 Kawazoe D16/244
- D257,260 S * 10/1980 Shiraiishi D16/244
- D310,426 S * 9/1990 Rook D26/138
- D532,436 S * 11/2006 Kruse et al. D16/244
- D533,578 S * 12/2006 Oka D16/244
- D600,737 S * 9/2009 Sudhana D16/244

D607,037 S * 12/2009 Lee D16/244

* cited by examiner

Primary Examiner—Austin Murphy

(74) *Attorney, Agent, or Firm*—Raymond J. Chew

(57) **CLAIM**

The ornamental design for a touch screen pen for electronic device with camera function, as shown and described.

DESCRIPTION

FIG. 1 is a perspective view of a touch screen pen for an electronic device with camera function, showing the touch screen pen in a folded touching mode in which the touch screen pen is capable of contacting a touch screen of the electronic device.

FIG. 2 is similar to FIG. 1, but showing the touch screen pen in an unfolded supporting mode in which the touch screen pen is capable of supporting the electronic device.

FIG. 3 is a front view of the touch screen pen in the unfolded supporting mode.

FIG. 4 is a rear view of the touch screen pen in the unfolded supporting mode.

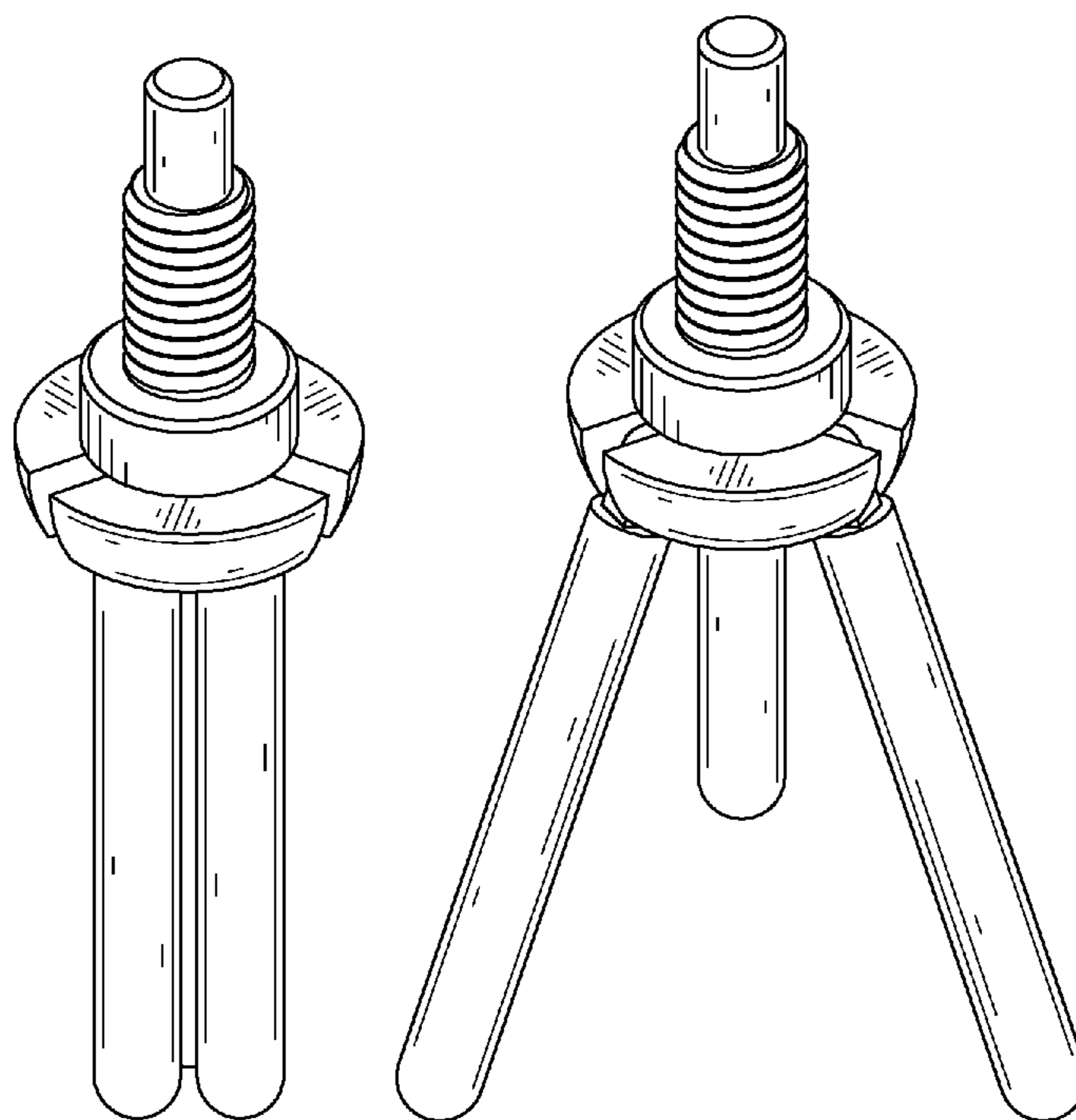
FIG. 5 is a left side elevational view of the touch screen pen in the unfolded supporting mode.

FIG. 6 is a right side elevational view of the touch screen pen in the unfolded supporting mode.

FIG. 7 is a top plan view of the touch screen pen in the unfolded supporting mode; and,

FIG. 8 is a bottom plan view of the touch screen pen in the unfolded supporting mode.

1 Claim, 8 Drawing Sheets



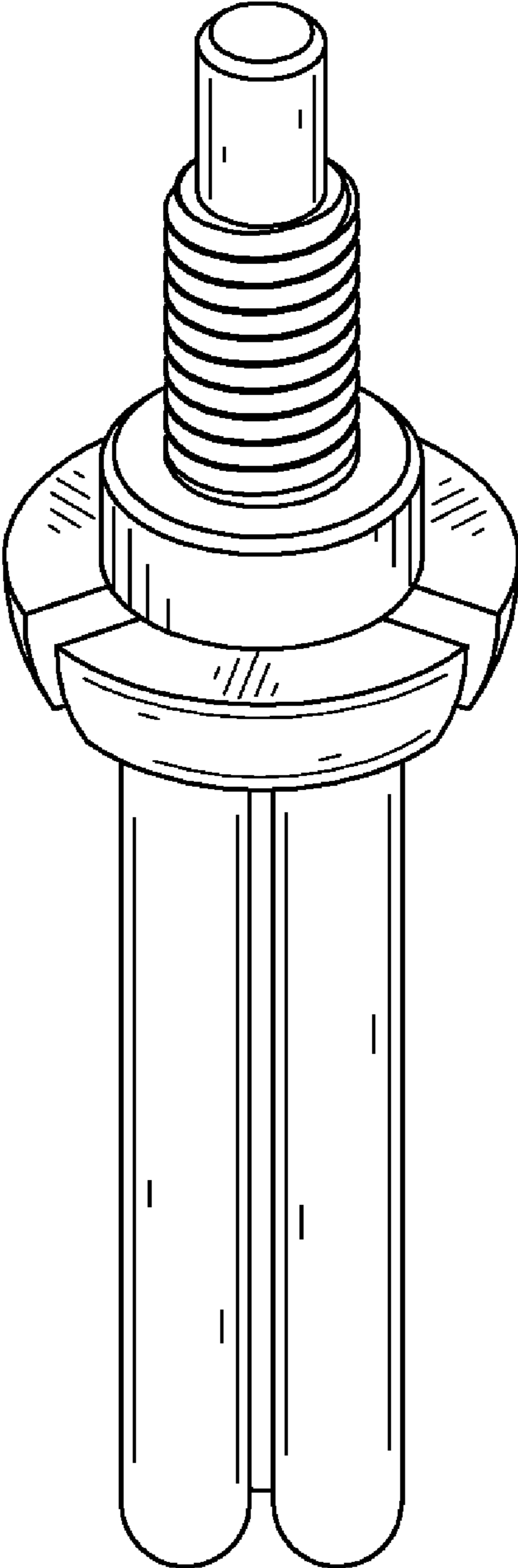


FIG. 1

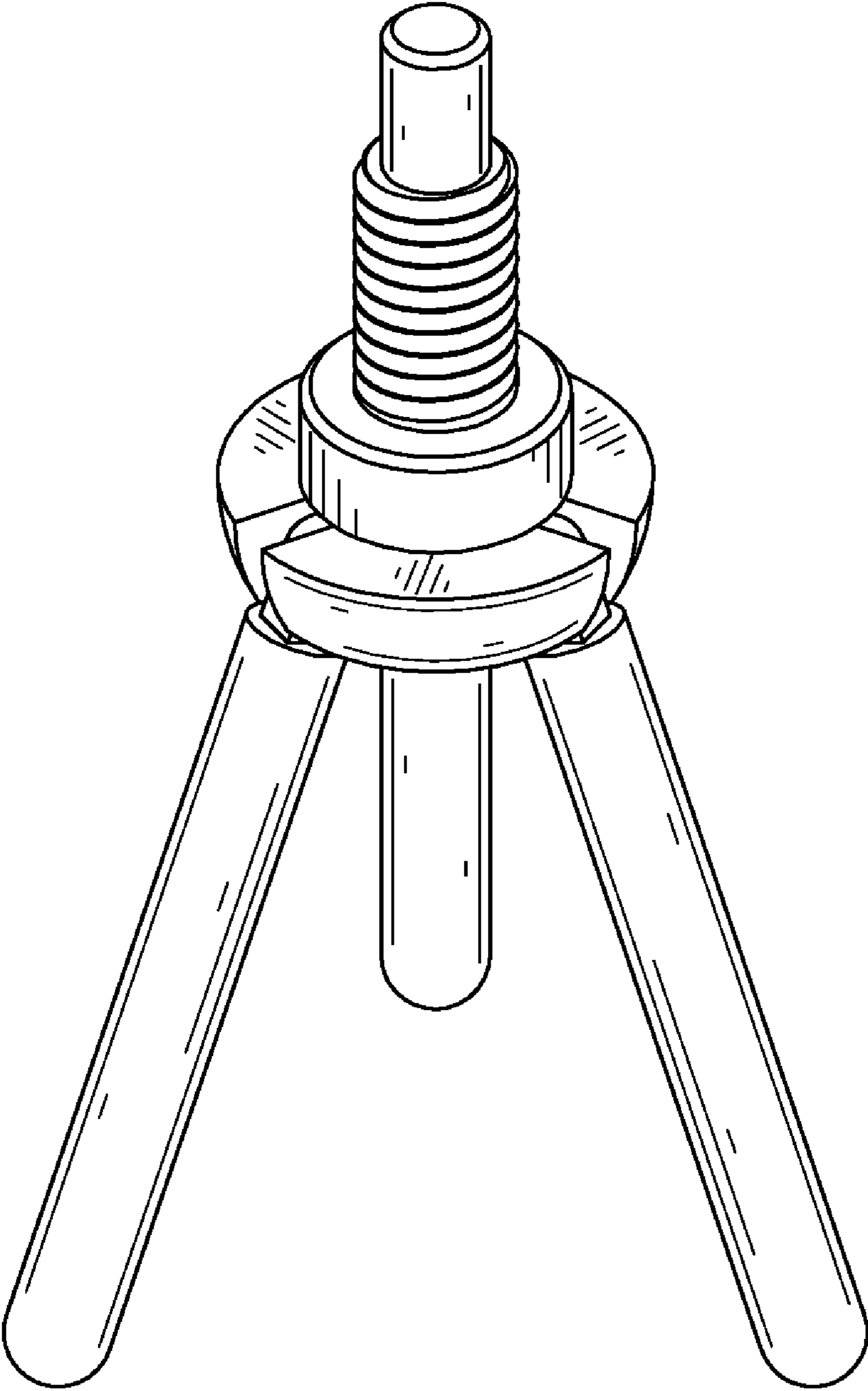


FIG. 2

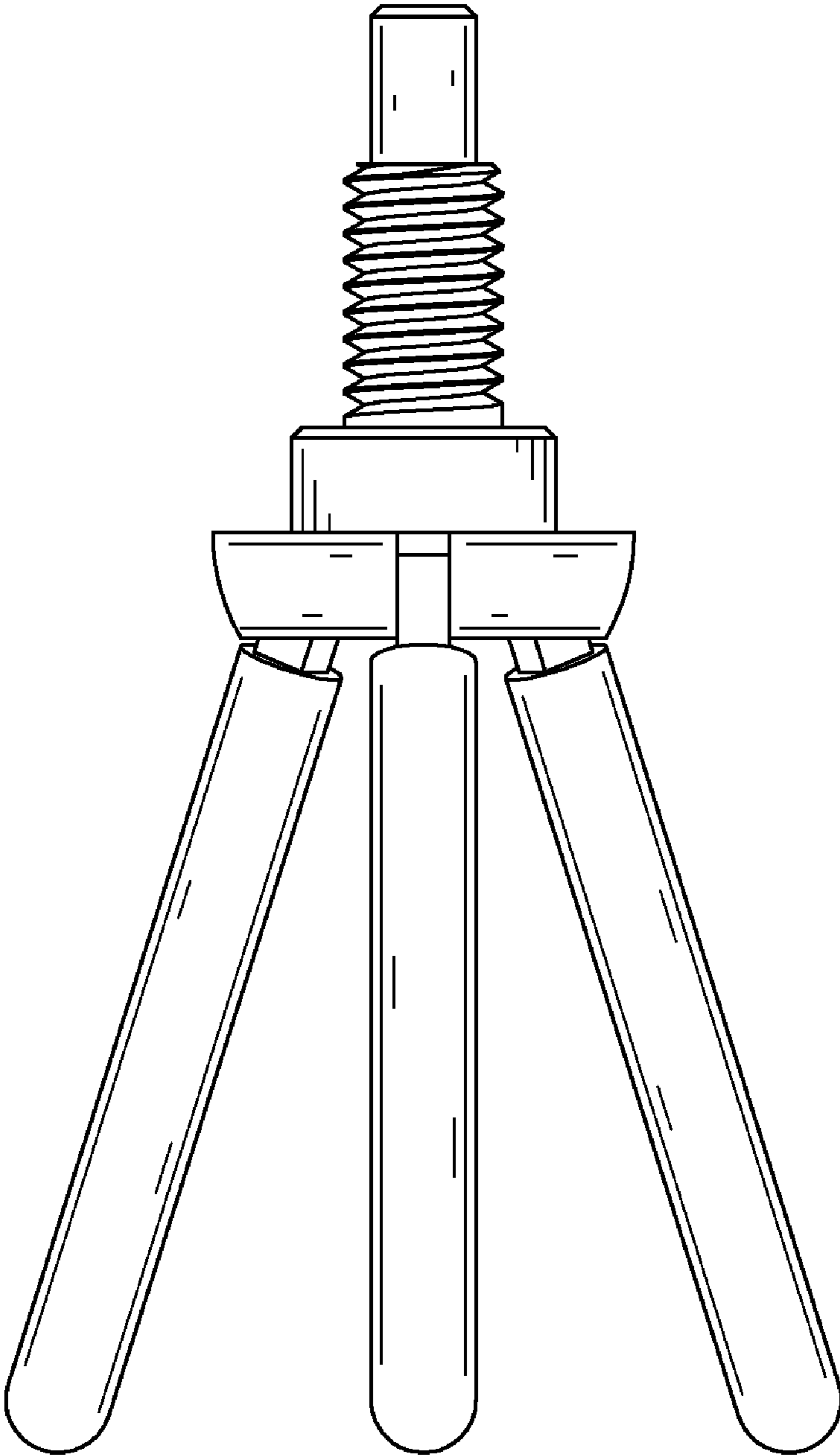


FIG. 3

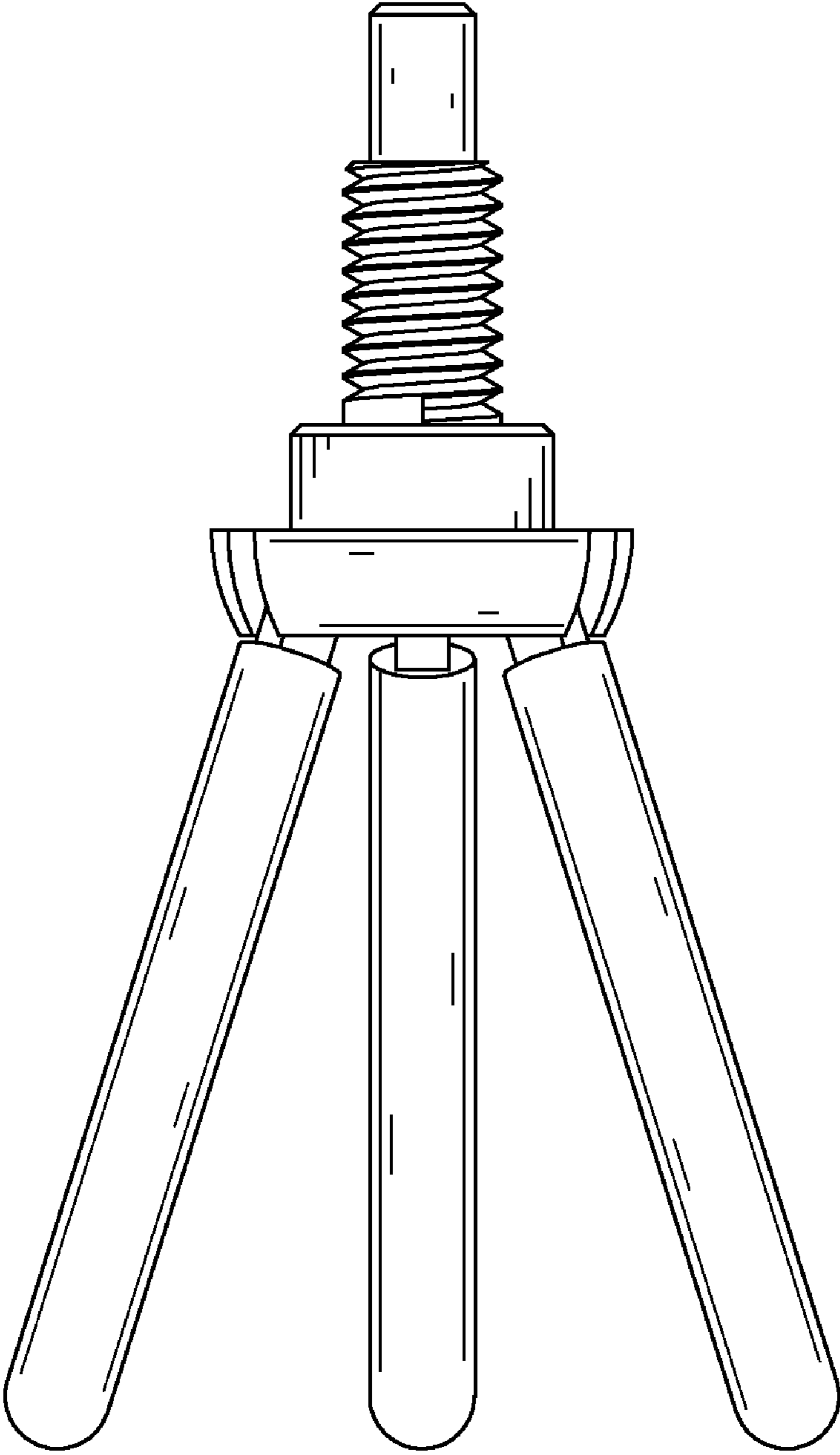


FIG. 4

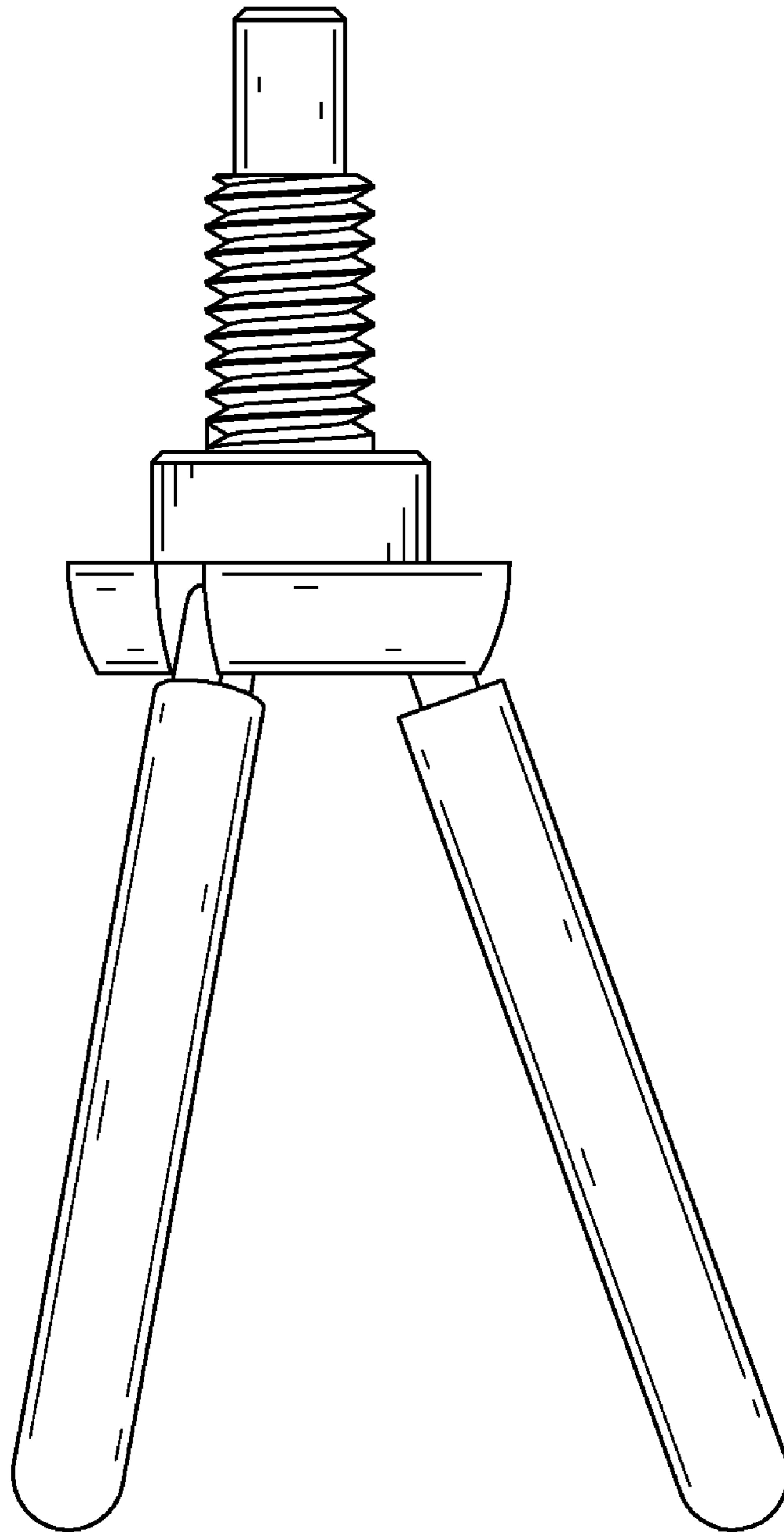


FIG. 5

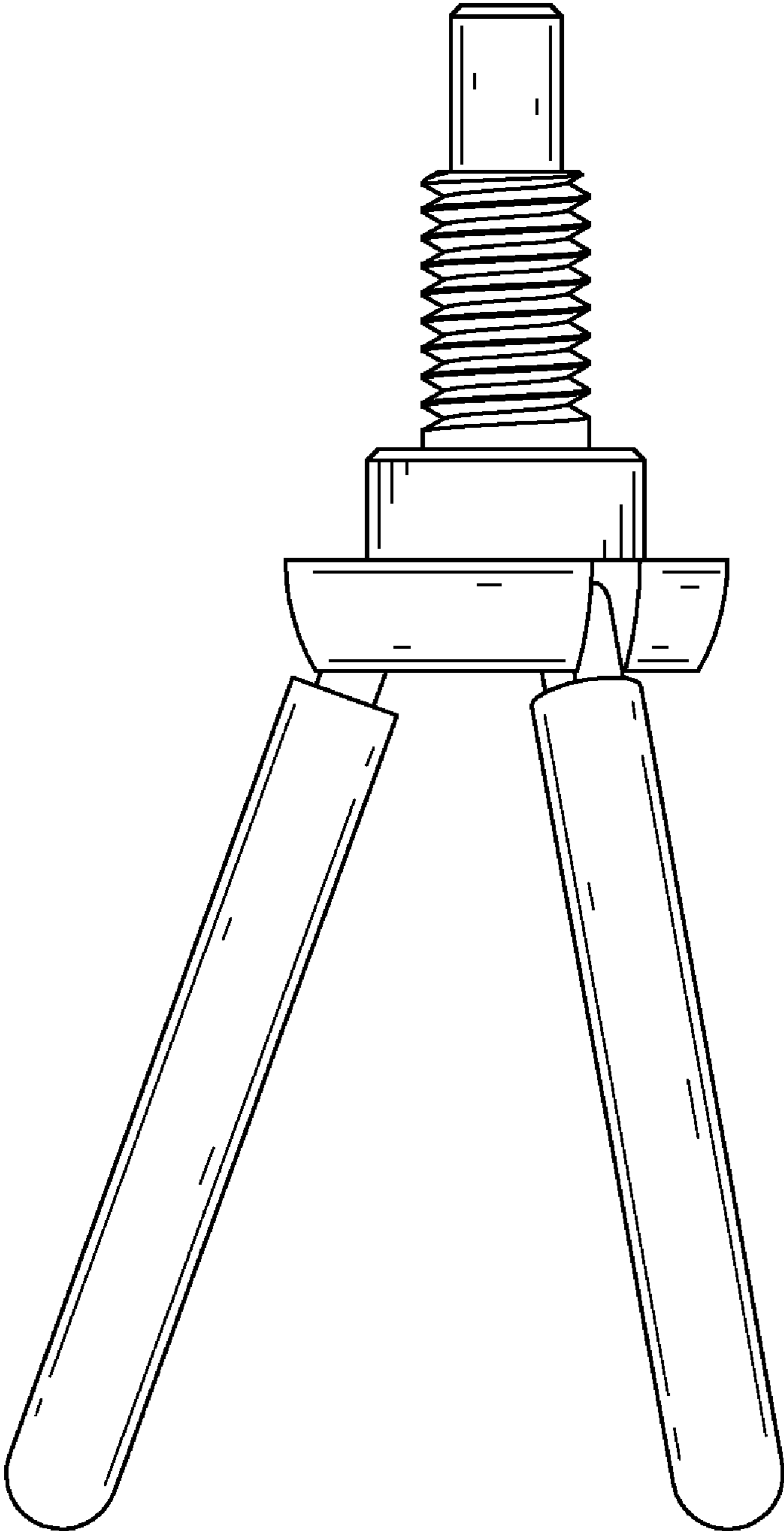


FIG. 6

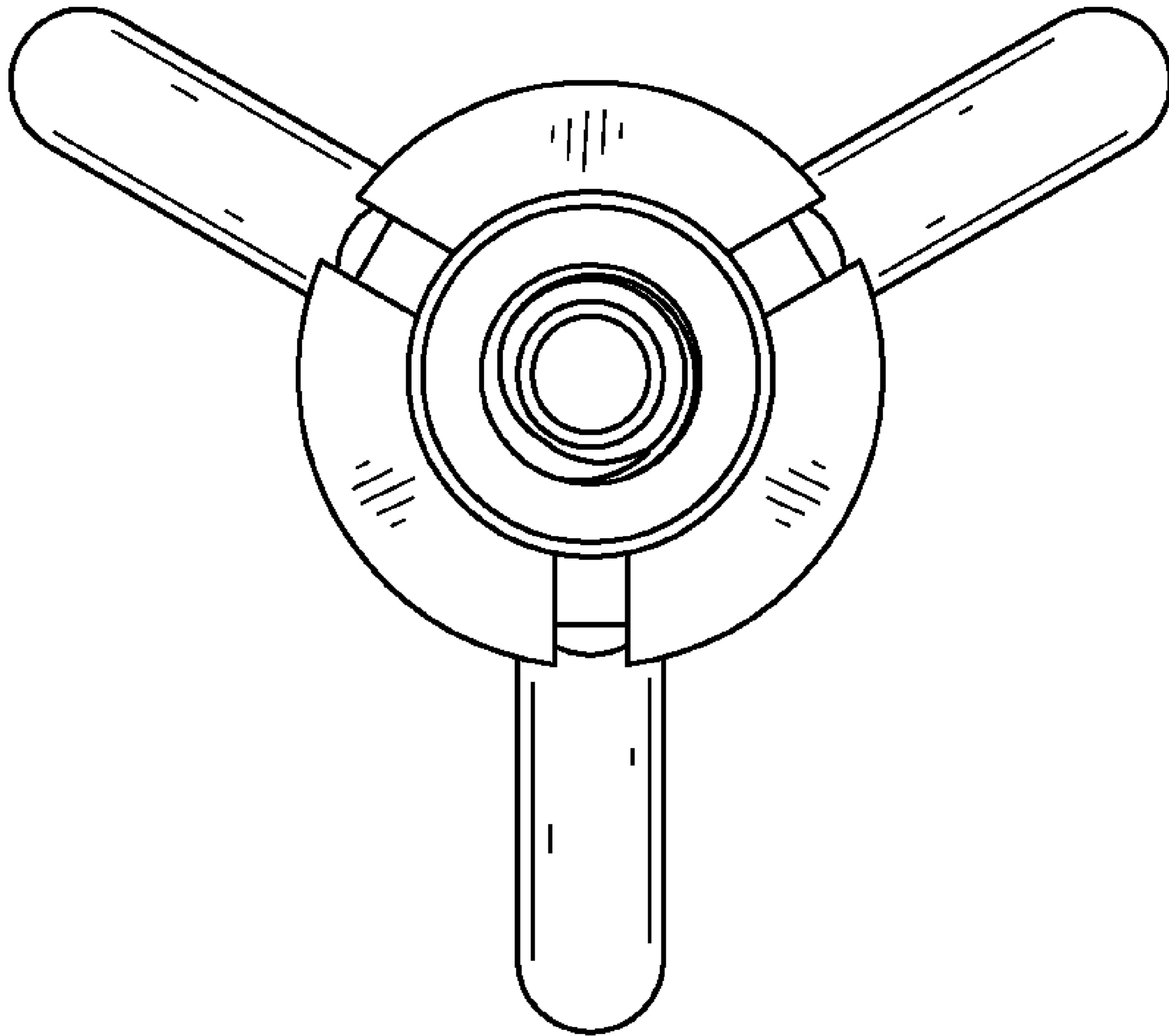


FIG. 7

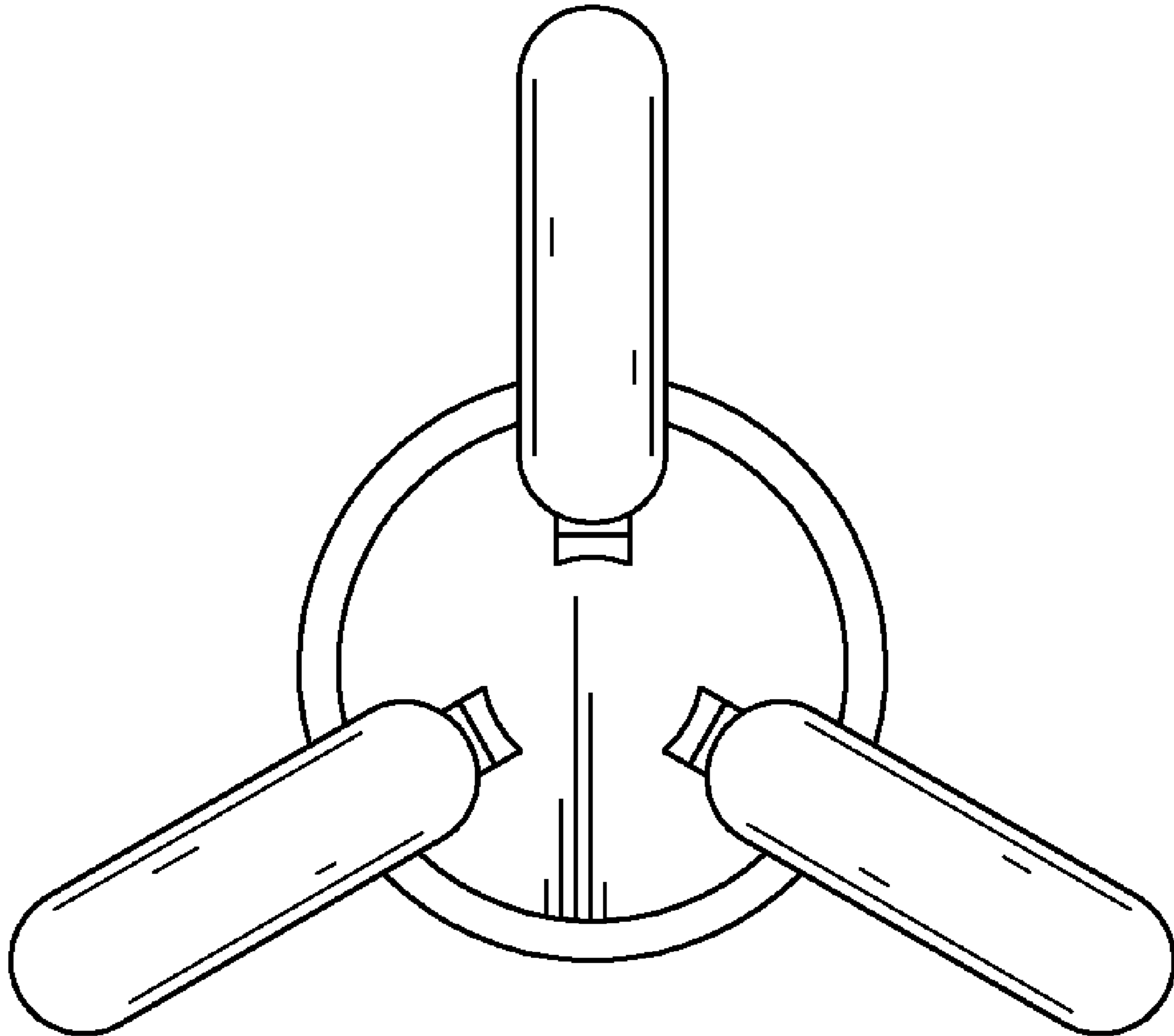


FIG. 8