

US00D620488S

(12) **United States Design Patent**  
**Andre et al.**

(10) **Patent No.:** **US D620,488 S**

(45) **Date of Patent:** **\*\* \*Jul. 27, 2010**

(54) **HANDHELD PORTABLE COMPUTING  
DEVICE**

(58) **Field of Classification Search** ..... D14/341-346,  
D14/496, 138, 156; D18/1, 2, 7, 11; 341/22,  
341/23; 345/168, 160, 163; 455/556.1, 575.5  
See application file for complete search history.

(75) Inventors: **Bartley K. Andre**, Menlo Park, CA  
(US); **Daniel J. Coster**, San Francisco,  
CA (US); **Daniele De Iuliis**, San  
Francisco, CA (US); **Richard P.  
Howarth**, San Francisco, CA (US);  
**Jonathan P. Ive**, San Francisco, CA  
(US); **Steve Jobs**, Palo Alto, CA (US);  
**Duncan Robert Kerr**, San Francisco,  
CA (US); **Shin Nishibori**, Portola Valley,  
CA (US); **Matthew Dean Rohrbach**,  
San Francisco, CA (US); **Douglas B.  
Satzger**, Menlo Park, CA (US); **Calvin  
Q. Seid**, Palo Alto, CA (US);  
**Christopher J. Stringer**, Woodside, CA  
(US); **Eugene Antony Whang**, San  
Francisco, CA (US); **Rico  
Zorkendorfer**, San Francisco, CA (US)

(56) **References Cited**

U.S. PATENT DOCUMENTS

D264,969	S	6/1982	McGourty
4,976,435	A	12/1990	Shatford et al.
5,192,082	A	3/1993	Inoue et al.
5,661,632	A	8/1997	Register
D412,940	S	8/1999	Kato et al.
5,964,661	A	10/1999	Dodge
D425,885	S	5/2000	Amron
D430,169	S	8/2000	Scibora
6,122,526	A	9/2000	Parulski et al.
D432,523	S	10/2000	Grinkus et al.
D437,860	S	2/2001	Suzuki et al.
6,227,966	B1	5/2001	Yokoi
6,254,477	B1	7/2001	Sasaki et al.
6,262,785	B1	7/2001	Kim
D448,810	S	10/2001	Goto
D450,713	S	11/2001	Masamitsu et al.
6,314,483	B1	11/2001	Goto et al.
D452,250	S	12/2001	Chan
D455,793	S	4/2002	Lin
D468,365	S	1/2003	Bransky et al.
D469,109	S	1/2003	Andre et al.
D472,245	S	3/2003	Andre et al.
D473,207	S	4/2003	Tanio
6,591,085	B1	7/2003	Grady
D483,809	S	12/2003	Lim
D486,813	S	2/2004	Chun
D489,052	S	4/2004	Shiraki et al.
D489,731	S	5/2004	Huang
D490,068	S	5/2004	Chen
D492,323	S	6/2004	Wang
D492,691	S	6/2004	Wang
D494,188	S	8/2004	Huang
D497,618	S	10/2004	Andre et al.
D499,423	S	12/2004	Bahroocha et al.
D499,424	S	12/2004	Bahroocha
D506,476	S	6/2005	Andre et al.
D507,003	S	7/2005	Pai et al.
D507,277	S	7/2005	Sitoh
6,920,344	B2	7/2005	Jang
D509,833	S	9/2005	Yang

(73) Assignee: **Apple Inc.**, Cupertino, CA (US)

(\*) Notice: This patent is subject to a terminal dis-  
claimer.

(\*\*) Term: **14 Years**

(21) Appl. No.: **29/330,373**

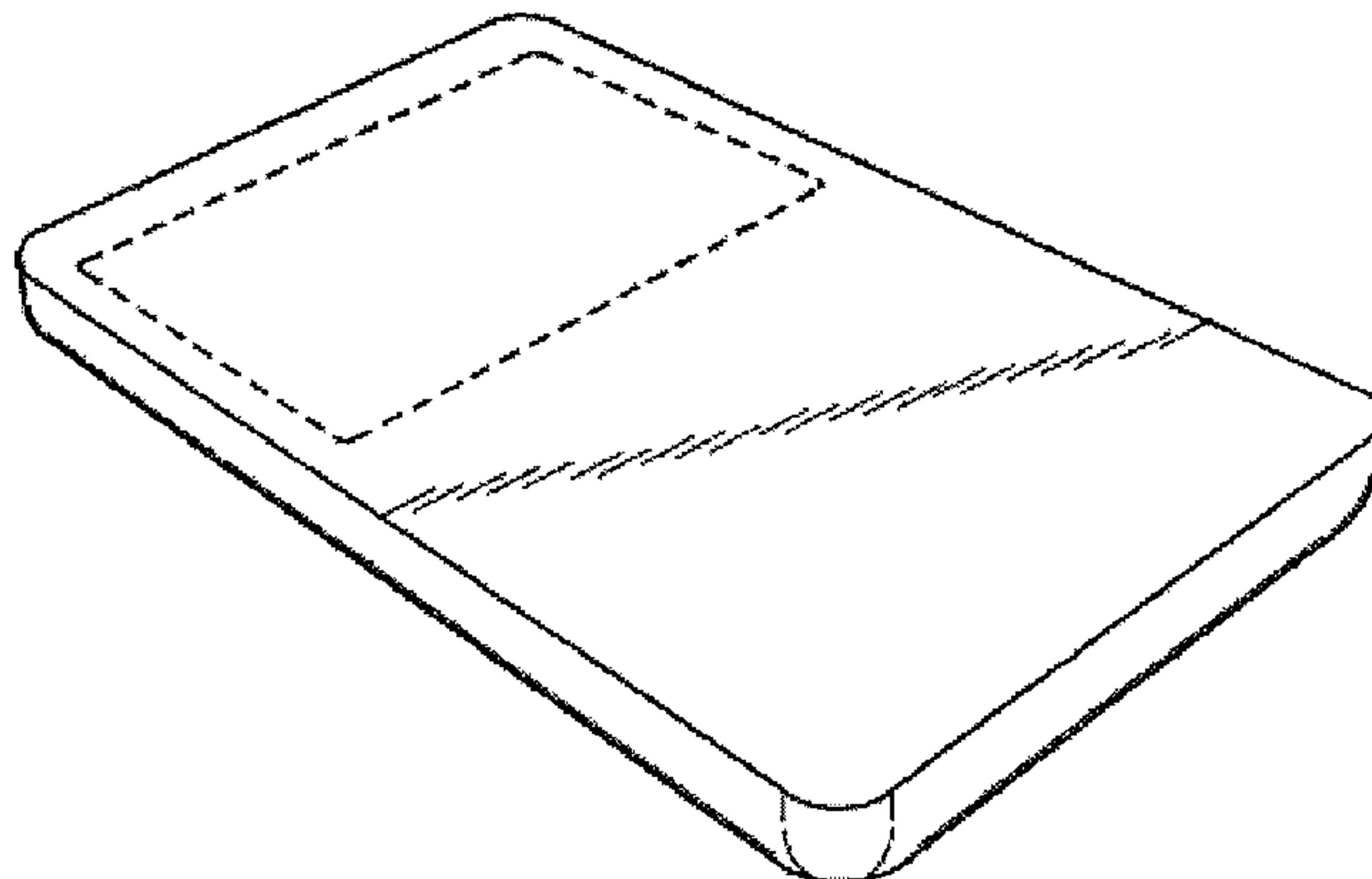
(22) Filed: **Jan. 6, 2009**

**Related U.S. Application Data**

(60) Division of application No. 29/305,103, filed on Mar.  
13, 2008, now Pat. No. Des. 584,303, which is a con-  
tinuation of application No. 29/281,810, filed on Jul. 2,  
2007, now Pat. No. Des. 566,706, which is a division of  
application No. 29/237,232, filed on Aug. 24, 2005,  
now Pat. No. Des. 553,129.

(51) **LOC (9) Cl.** ..... **14-02**

(52) **U.S. Cl.** ..... **D14/341**



D510,937	S	10/2005	Tsai	
D511,347	S	11/2005	Naruki	
D511,529	S	11/2005	Sassano	
D512,403	S	12/2005	Yang	
6,977,675	B2	12/2005	Kotzin	
D513,512	S	1/2006	Tsai	
D514,120	S	1/2006	Chan	
D514,121	S	1/2006	Johnson	
D514,589	S	2/2006	Chen	
D515,099	S	2/2006	Lee	
D515,546	S	2/2006	Mu	
D516,576	S	3/2006	Ive et al.	
D517,088	S	3/2006	Chong et al.	
D518,290	S	4/2006	Andre et al.	
D519,523	S	4/2006	Chiu et al.	
D520,020	S	5/2006	Senda et al.	
7,046,230	B2	5/2006	Zadesky et al.	
D525,986	S	8/2006	Kim	
D538,820	S	3/2007	Andre et al.	
D541,297	S	4/2007	Andre et al.	
D541,298	S	4/2007	Andre et al.	
D541,299	S	4/2007	Andre et al.	
D542,306	S	5/2007	Andre et al.	
D542,808	S	5/2007	Andre et al.	
D548,218	S *	8/2007	Hong et al.	..... D14/138 AA
D548,744	S	8/2007	Andre et al.	
D548,745	S	8/2007	Andre et al.	
D548,746	S	8/2007	Andre et al.	
D548,747	S	8/2007	Andre et al.	
D553,129	S	10/2007	Andre et al.	
D562,848	S	2/2008	Andre et al.	
D566,706	S	4/2008	Andre et al.	
D584,303	S *	1/2009	Andre et al.	..... D14/341
2003/0153263	A1	8/2003	Glass et al.	
2004/0033478	A1	2/2004	Knowles et al.	
2004/0224638	A1	11/2004	Fadell et al.	

OTHER PUBLICATIONS

U.S. Appl. No. 29/305,103, Andre et al., Handheld Portable Computing Device, filed Mar. 13, 2008.

\* cited by examiner

Primary Examiner—Freda S Nunn  
(74) Attorney, Agent, or Firm—Sterne, Kessler, Goldstein & Fox PLLC

(57) CLAIM

We claim the ornamental design for a handheld portable computing device, as shown and described.

DESCRIPTION

FIG. 1 is a perspective view of a handheld portable computing device in accordance with the present design. The handheld

portable computing device can for example be a media player, media storage device, cellular phone;

FIG. 2 is a front view thereof;

FIG. 3 is a rear view thereof;

FIG. 4 is a top view thereof;

FIG. 5 is a bottom view thereof;

FIG. 6 is a right side view thereof;

FIG. 7 is a left side view thereof;

FIG. 8 is a perspective view of the handheld portable computing device in an enlarged configuration. The handheld portable computing device can be configured in a variety of different sizes while maintaining the design features of the handheld portable computing device shown in FIG. 1;

FIG. 9 is a front view thereof;

FIG. 10 is a rear view thereof;

FIG. 11 is a top view thereof;

FIG. 12 is a bottom view thereof;

FIG. 13 is a right side view thereof;

FIG. 14 is a left side view thereof;

FIG. 15 is a front view for the handheld portable computing device shown in FIG. 1;

FIG. 16 is a front view for the handheld portable computing device shown in FIG. 1;

FIG. 17 is a front view for the handheld portable computing device shown in FIG. 1;

FIG. 18 is a front view for the handheld portable computing device shown in FIG. 1;

FIG. 19 is a front view for the handheld portable computing device shown in FIG. 1;

FIG. 20 is a front view for the handheld portable computing device shown in FIG. 1;

FIG. 21 is a front view for the handheld portable computing device shown in FIG. 1; and,

FIG. 22 is a front view for the handheld portable computing device shown in FIG. 1.

The broken lines show portions of the electronic device which form no part of the claimed design.

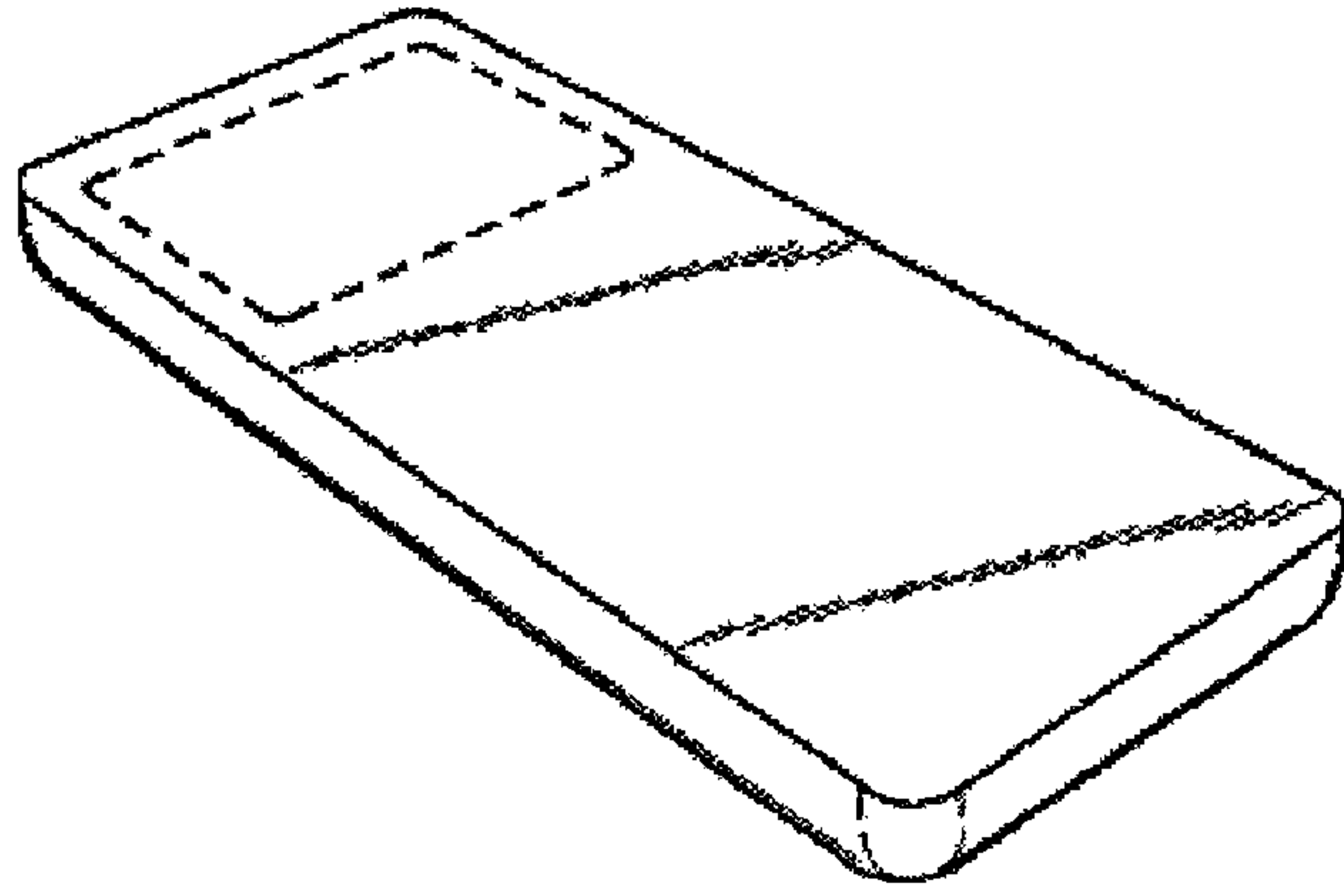


FIG. 1

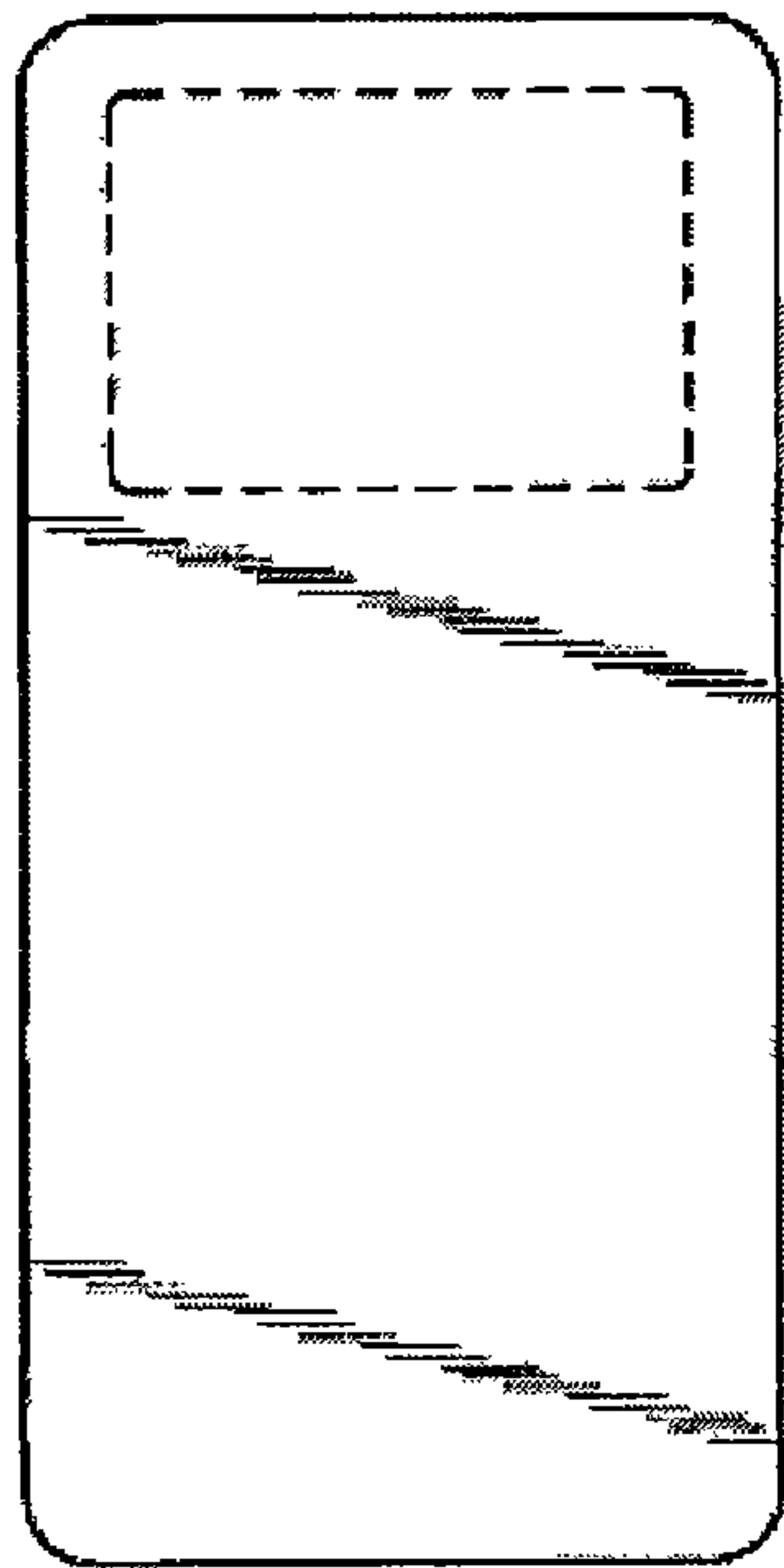


FIG. 2

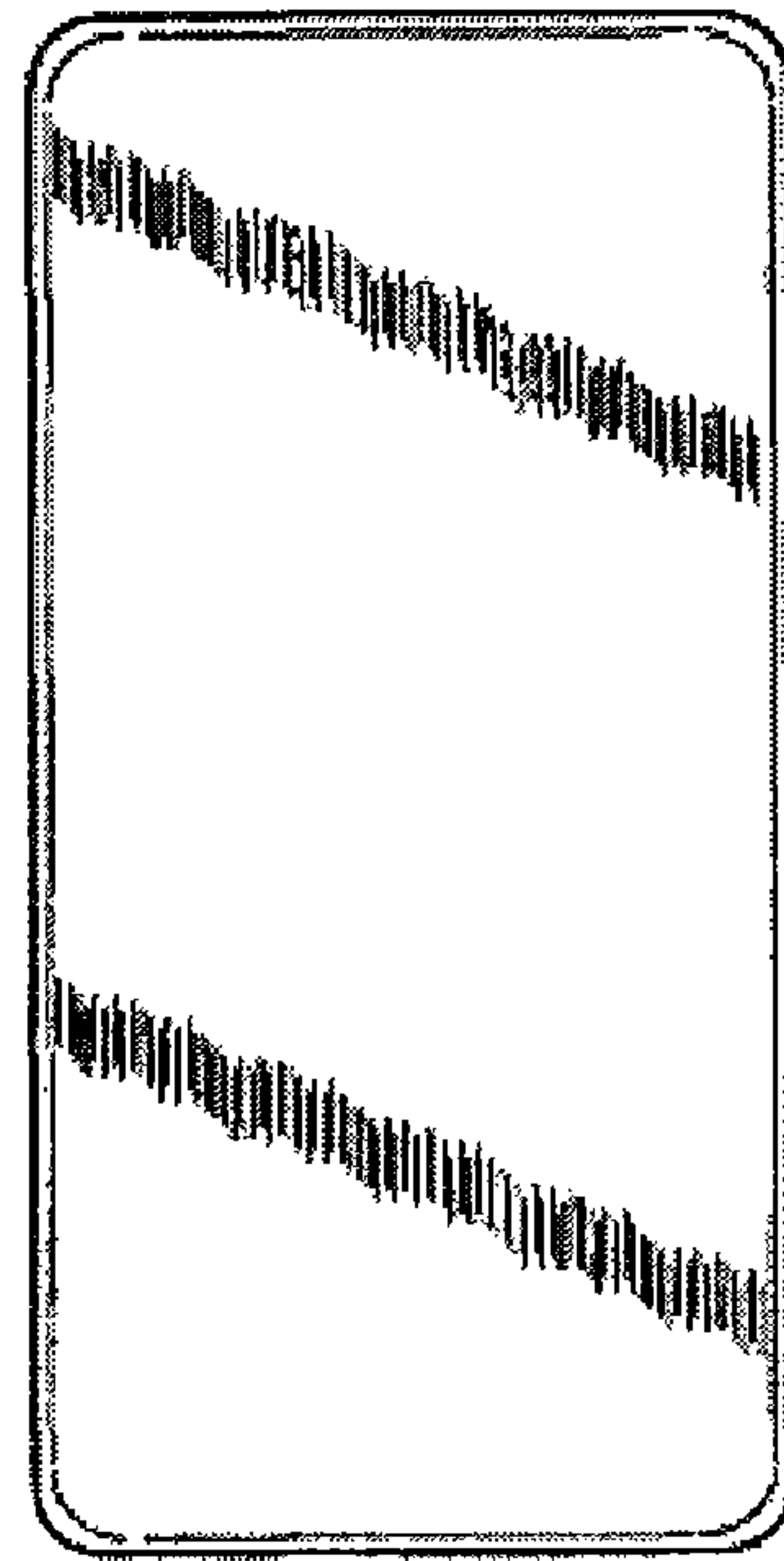


FIG. 3





FIG. 4



FIG. 5



FIG. 6



FIG. 7

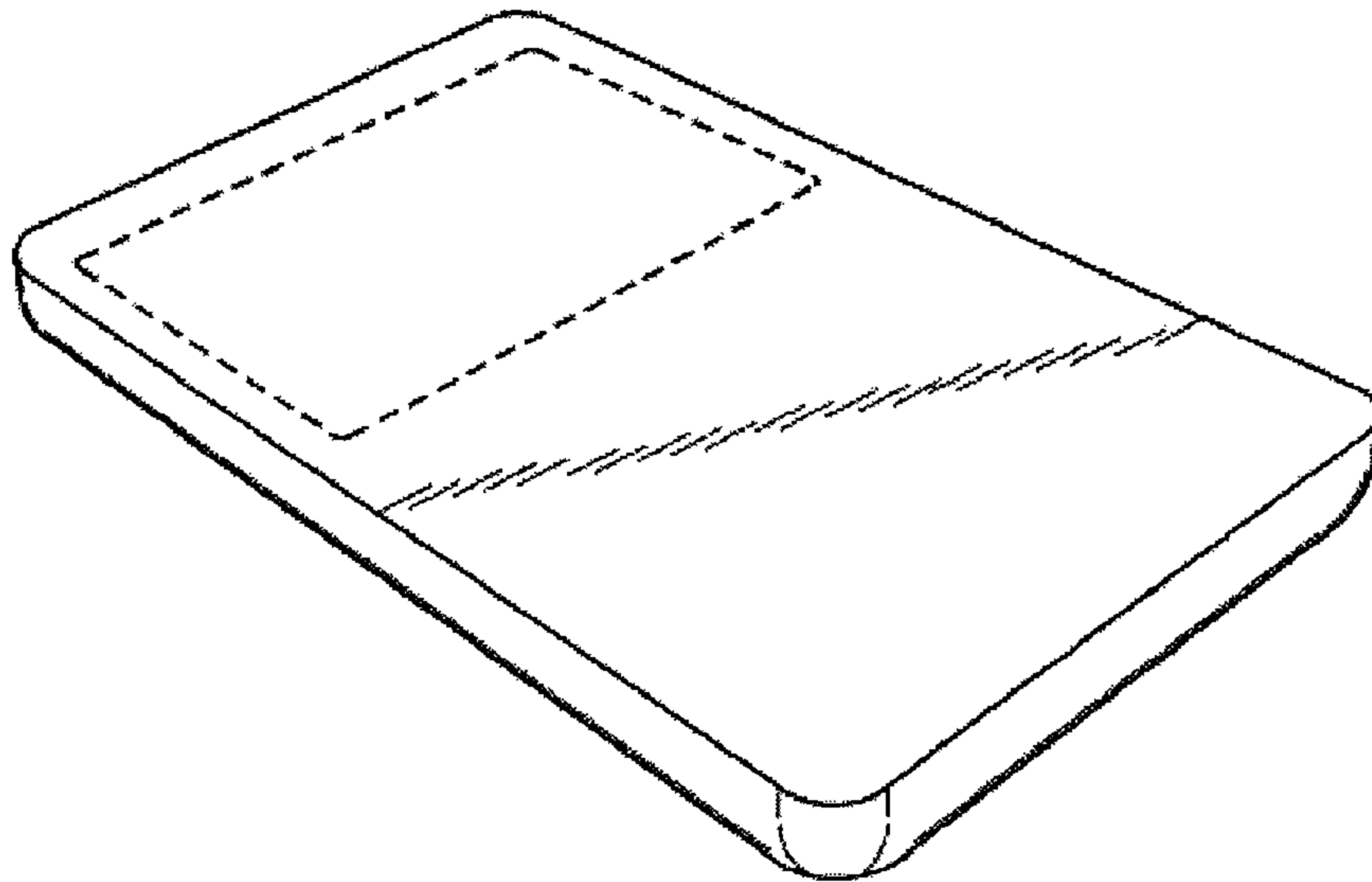


FIG. 8

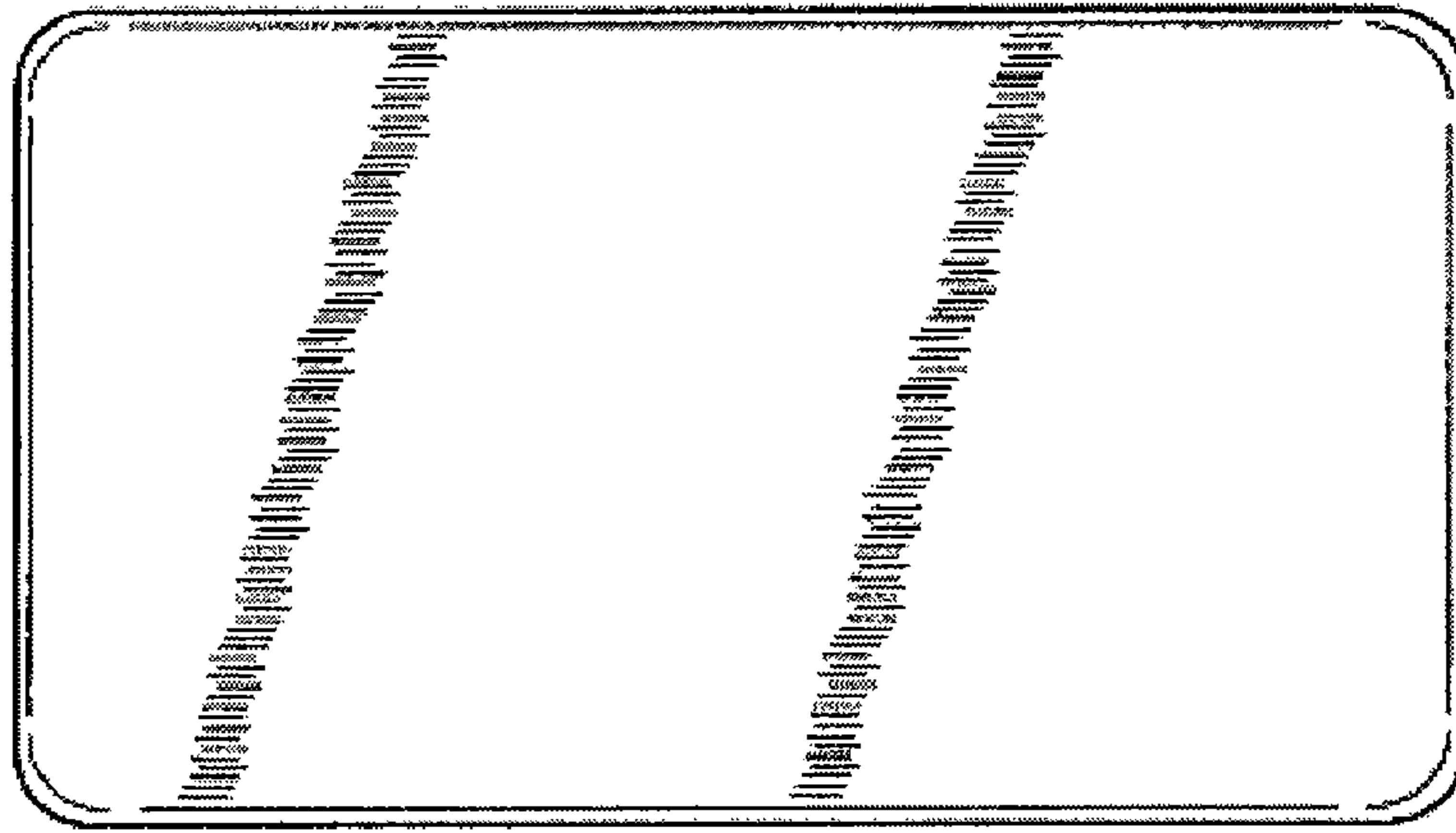


FIG. 10

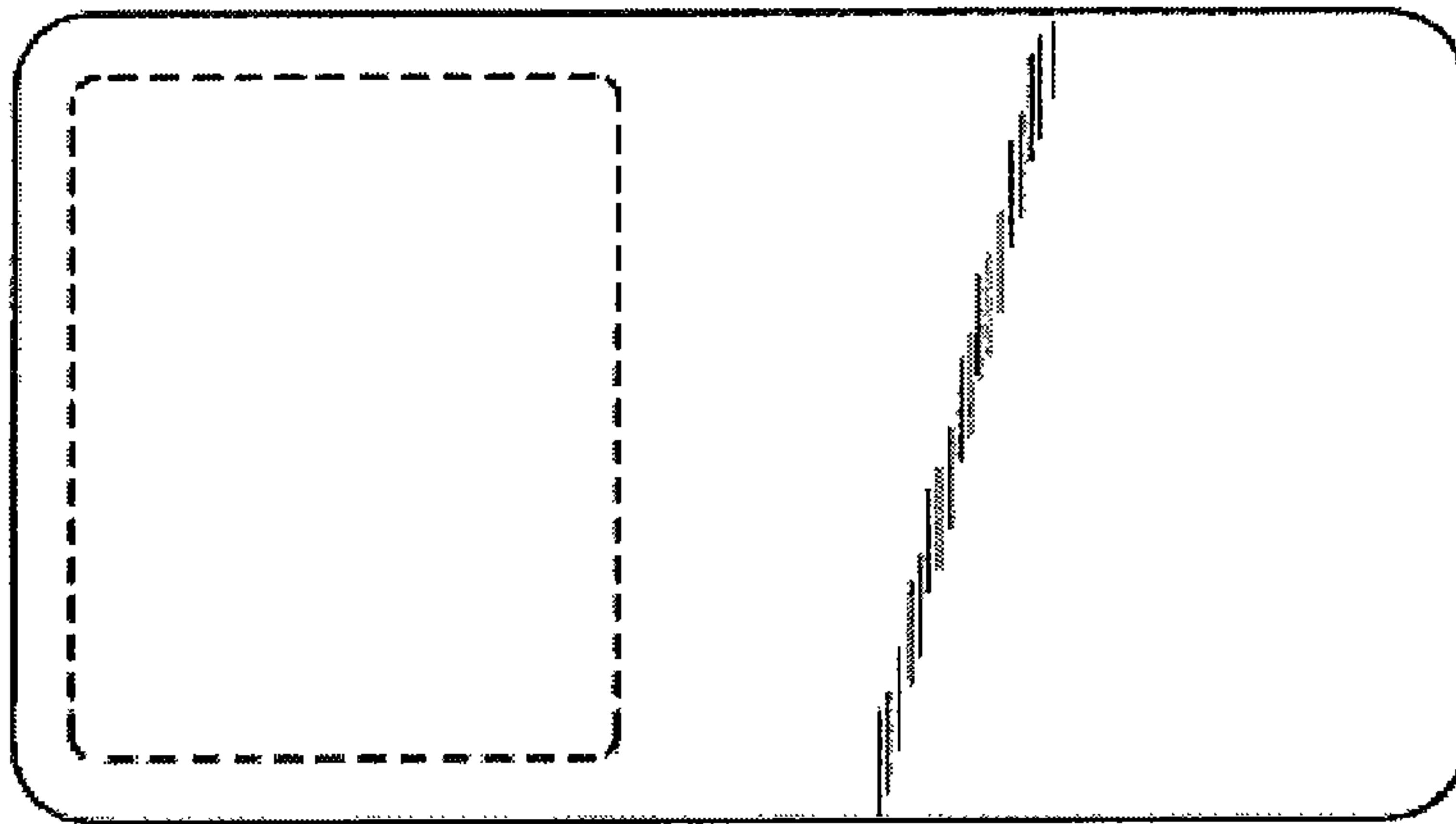


FIG. 9

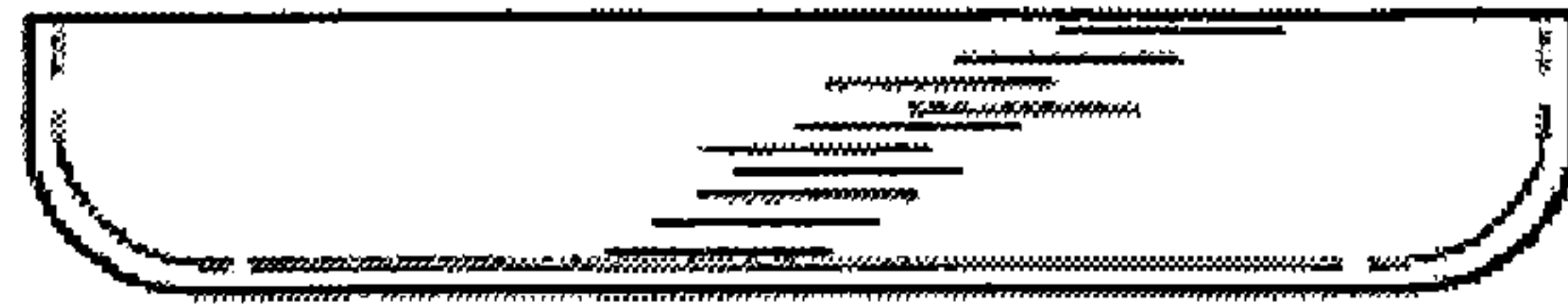


FIG. 11



FIG. 12



FIG. 13



FIG. 14

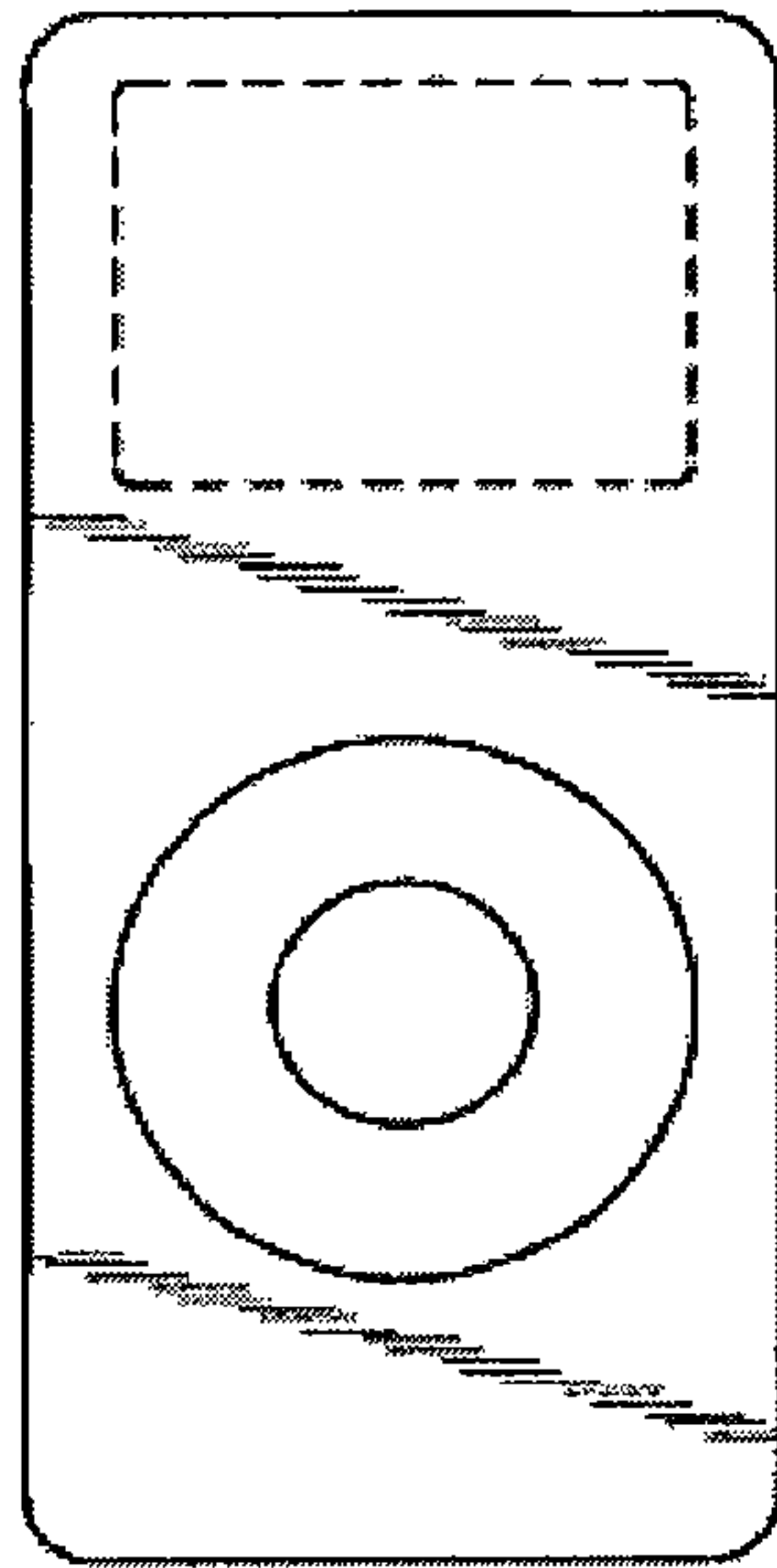


FIG. 15

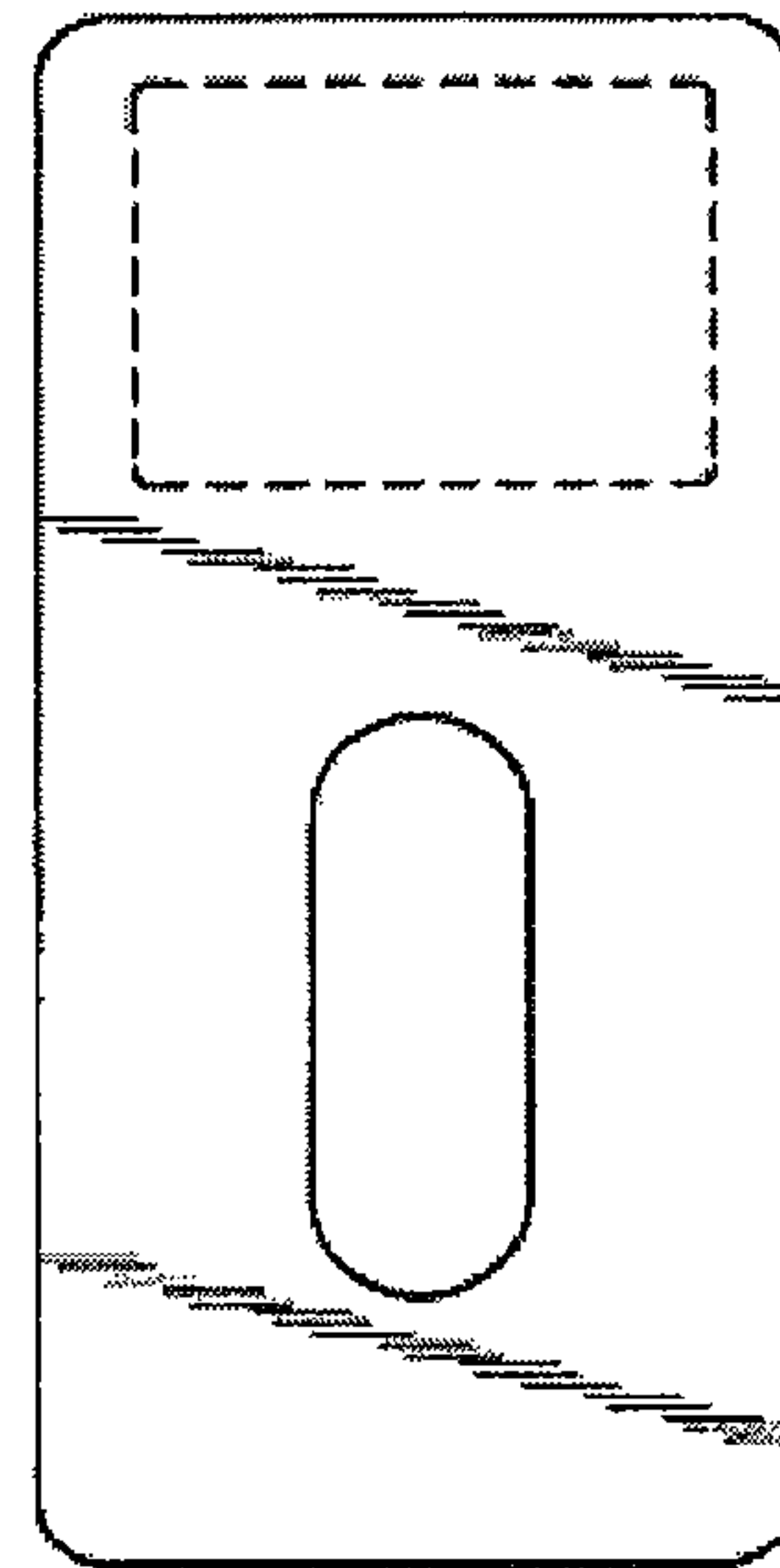


FIG. 16

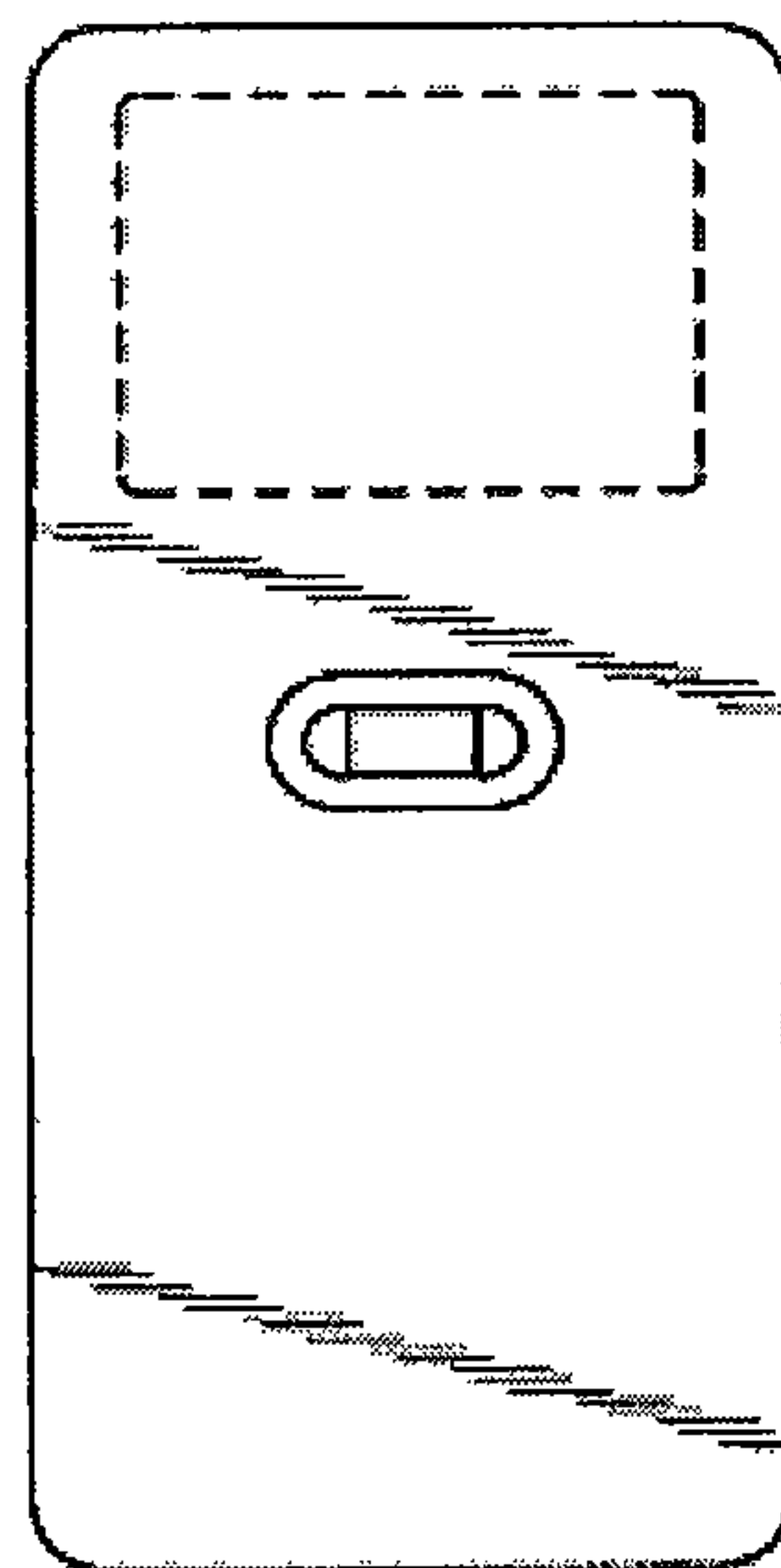


FIG. 17

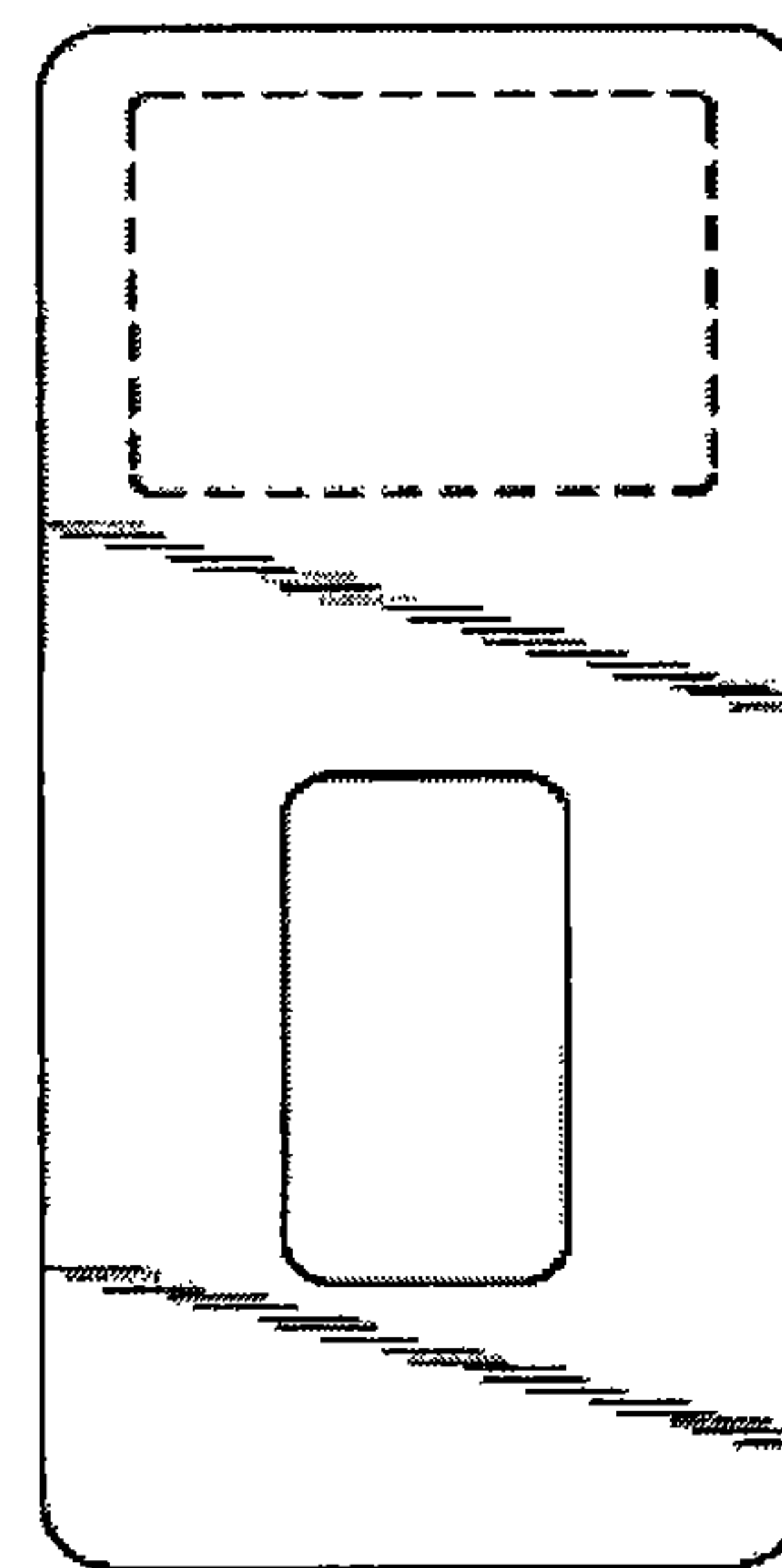


FIG. 18

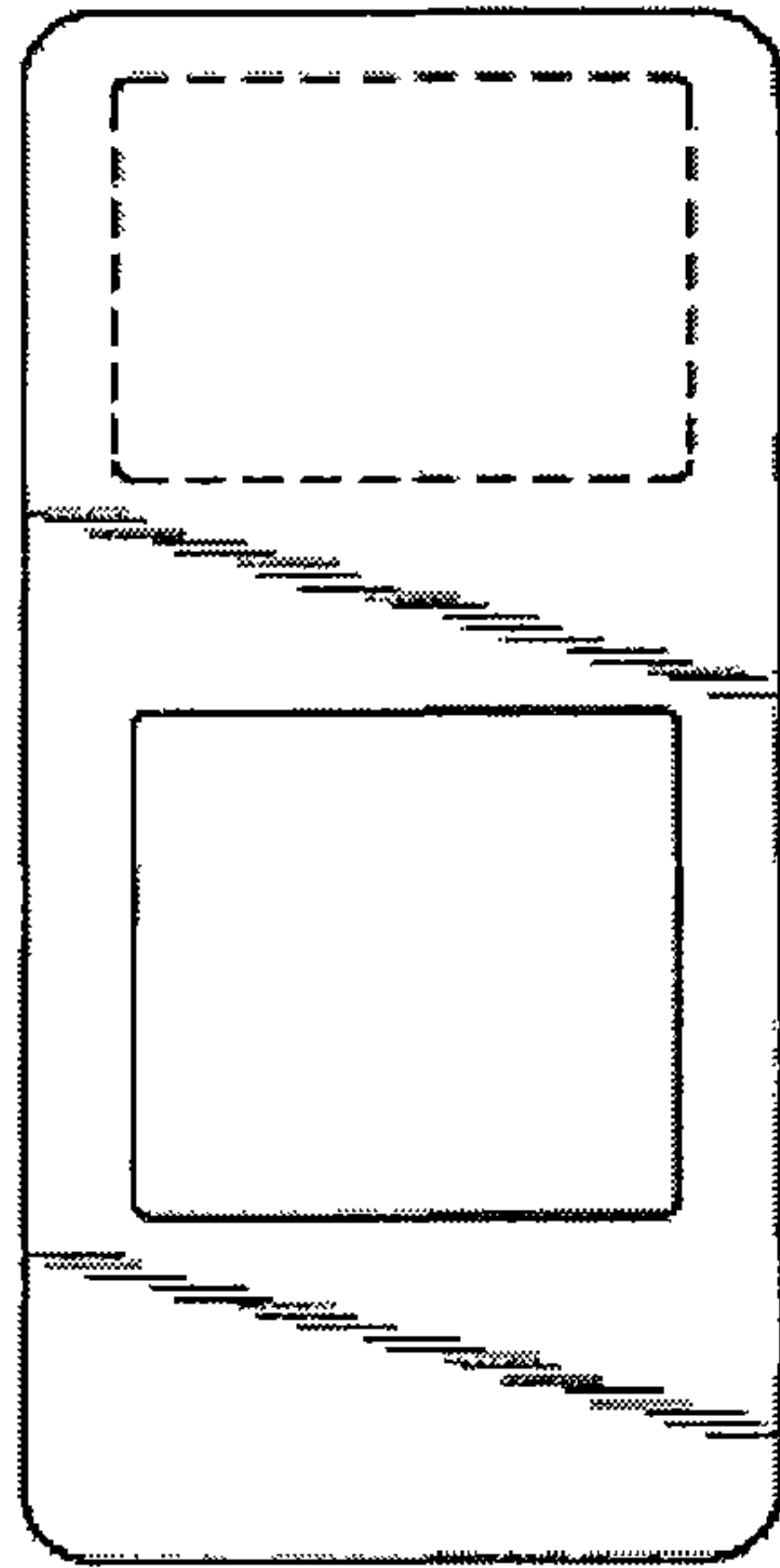


FIG. 19

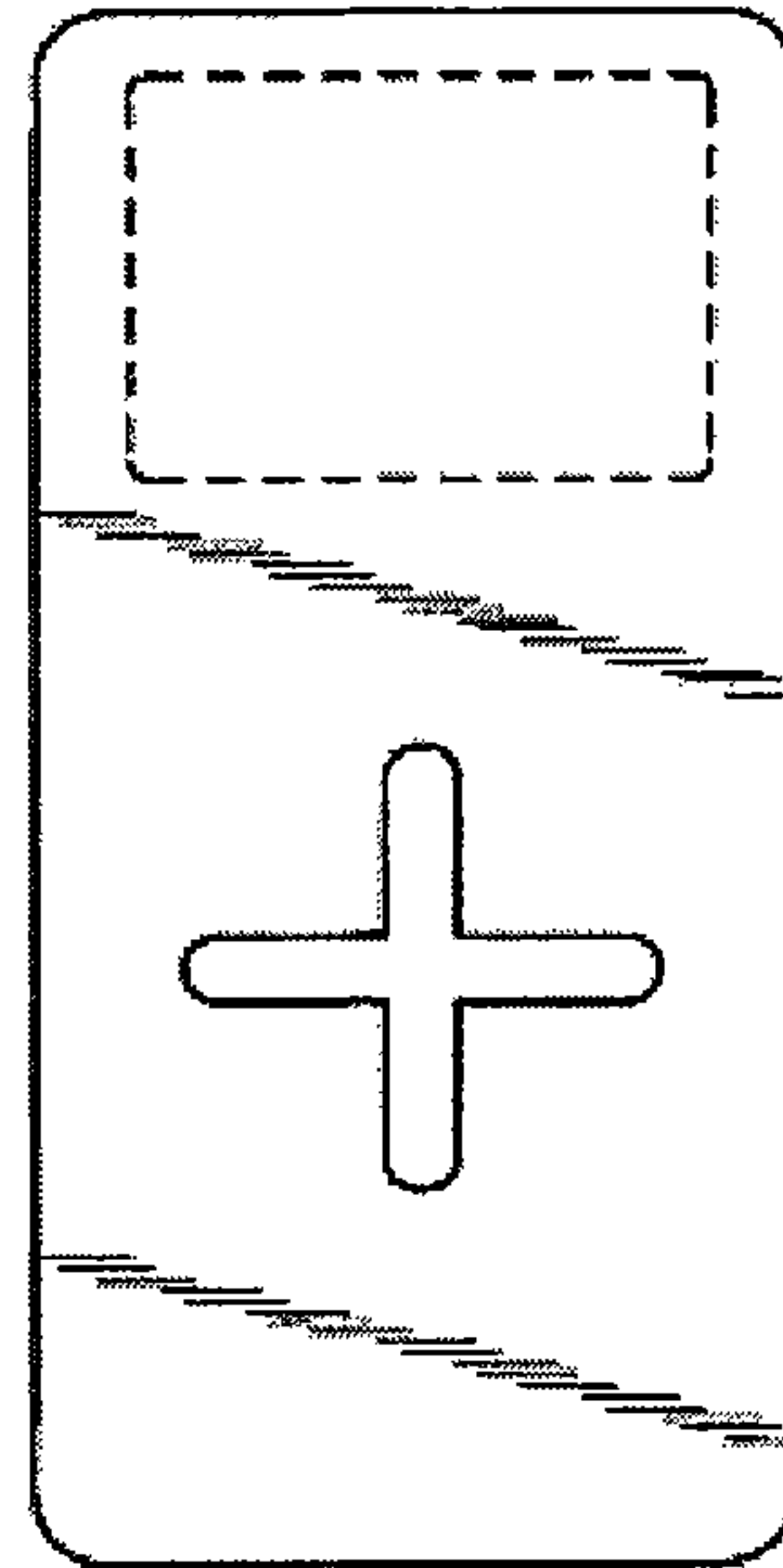


FIG. 20

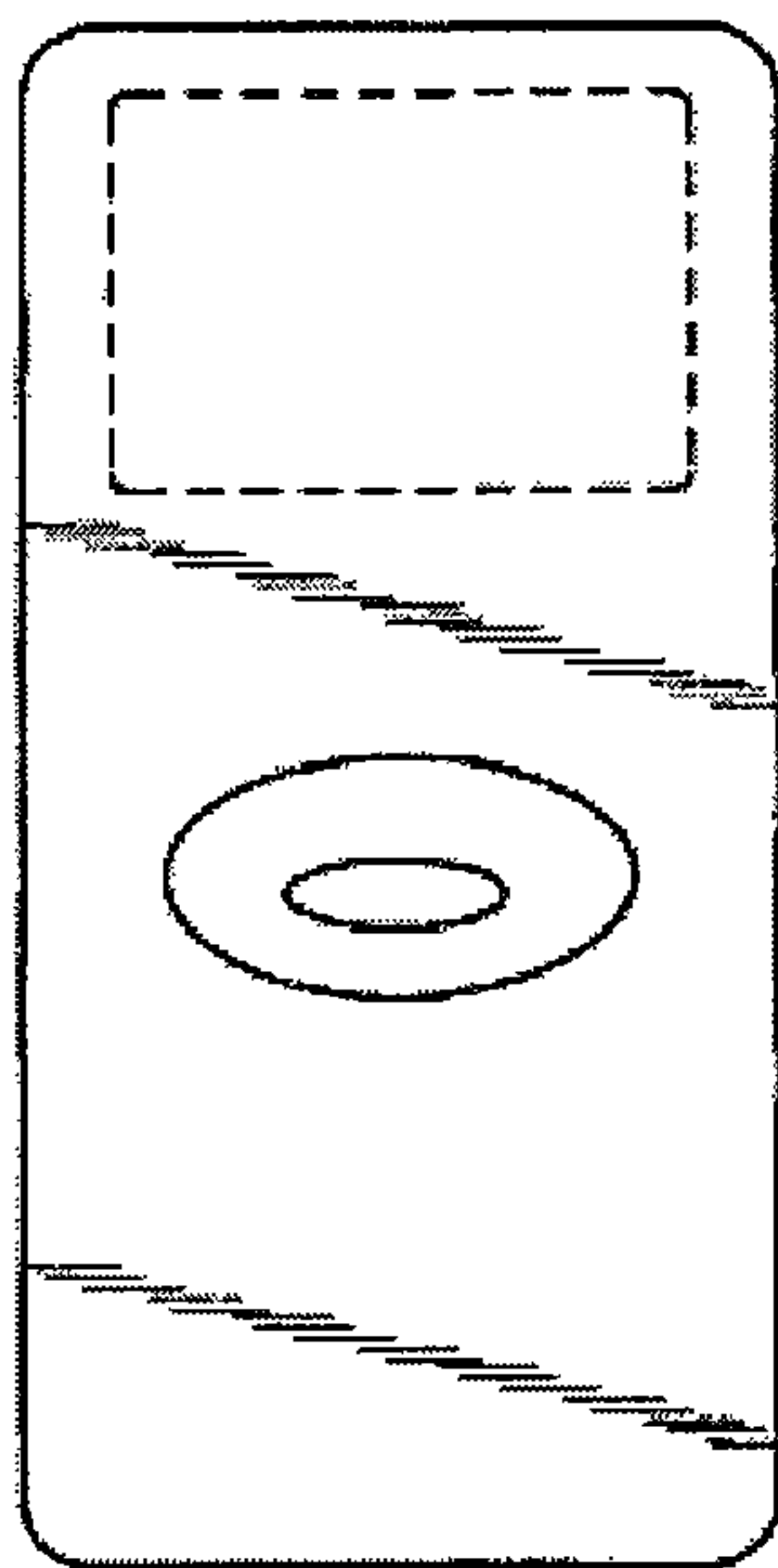


FIG. 21

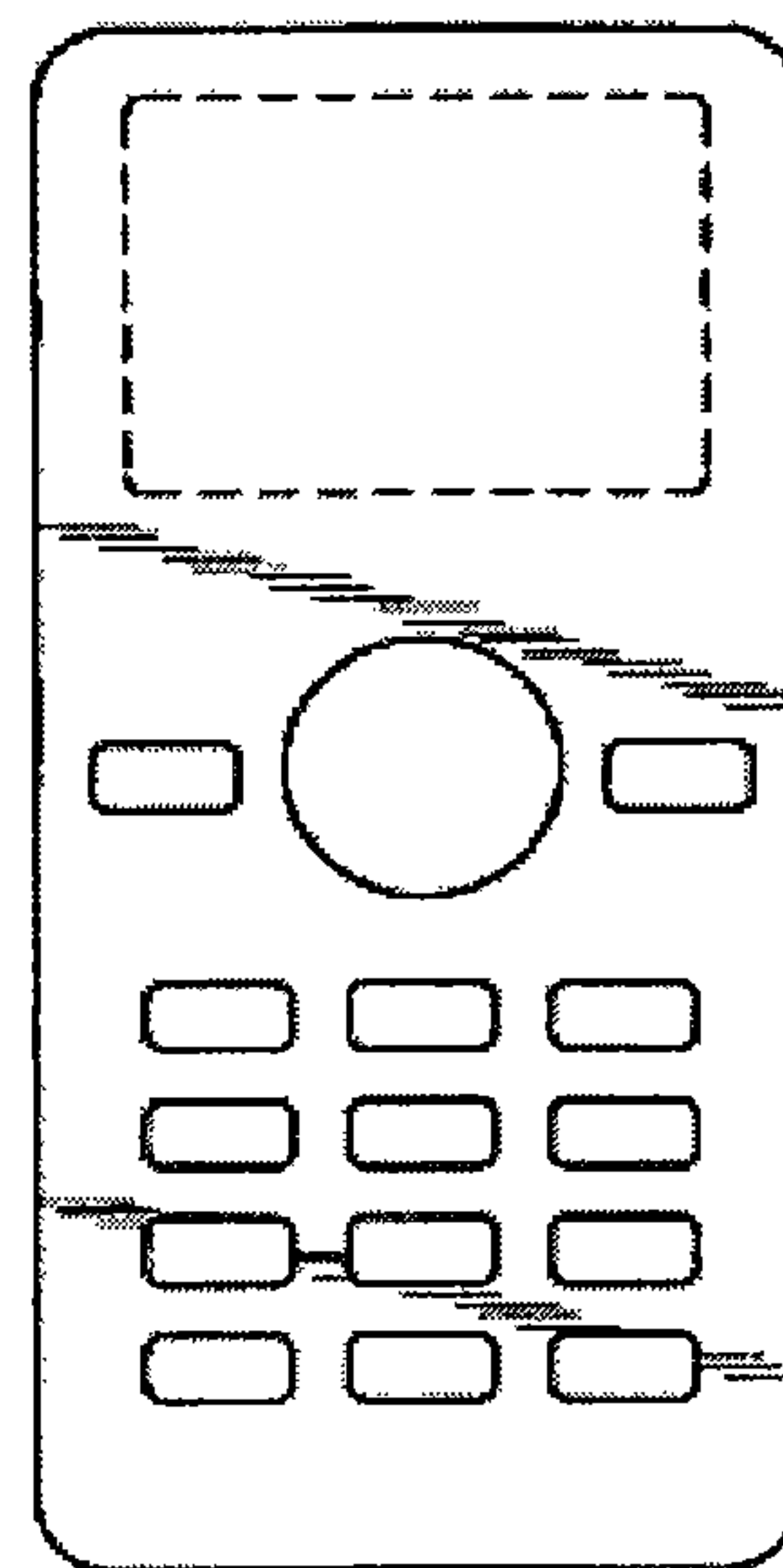


FIG. 22