



US00D620485S

(12) **United States Design Patent**
Corrigan et al.

(10) **Patent No.:** **US D620,485 S**

(45) **Date of Patent:** **** Jul. 27, 2010**

(54) **WIRELESS ROUTER**

(75) Inventors: **Greg Corrigan**, Vancouver (CA); **Ben Zuckerman**, Vancouver (CA); **Jacinthe Boulanger**, Vancouver (CA); **Pedro A. Gutierrez**, San Diego, CA (US); **Randy Wilfred Hackbart**, Burnaby (CA)

(73) Assignee: **Sierra Wireless, Inc.** (CA)

(**) Term: **14 Years**

(21) Appl. No.: **29/346,153**

(22) Filed: **Oct. 27, 2009**

(51) **LOC (9) Cl.** **14-03**

(52) **U.S. Cl.** **D14/240**

(58) **Field of Classification Search** D13/133;
D14/133, 240, 484.1, 480.6, 435.1, 358, 374,
D14/242, 361-363, 365-367, 433; 361/757;
439/131, 159, 501, 528, 623, 652, 654; 379/220.1,
379/25, 93.09, 93.15, 93.14, 156, 424; 451/550.1,
451/557

See application file for complete search history.

(56) **References Cited**

U.S. PATENT DOCUMENTS

D464,958 S * 10/2002 Coker et al. D14/240
D478,070 S * 8/2003 Nagai et al. D14/240
D481,020 S * 10/2003 Lee D14/125
D580,931 S * 11/2008 Chang et al. D14/356

D580,932 S * 11/2008 Tzou et al. D14/356
D585,055 S * 1/2009 Sabag et al. D14/300
D585,061 S * 1/2009 Han D14/358
D589,045 S * 3/2009 Lee et al. D14/358
D604,725 S * 11/2009 Chen D14/240

* cited by examiner

Primary Examiner—Charles A Rademaker

(74) *Attorney, Agent, or Firm*—Banner & Witcoff, Ltd.

(57) **CLAIM**

The ornamental design for a wireless router, as shown and described.

DESCRIPTION

FIG. 1 is a top perspective view of a wireless router showing our new design;

FIG. 2 is a Bottom Perspective View thereof;

FIG. 3 is a Top View thereof;

FIG. 4 is a Bottom View thereof;

FIG. 5 is a Back View thereof;

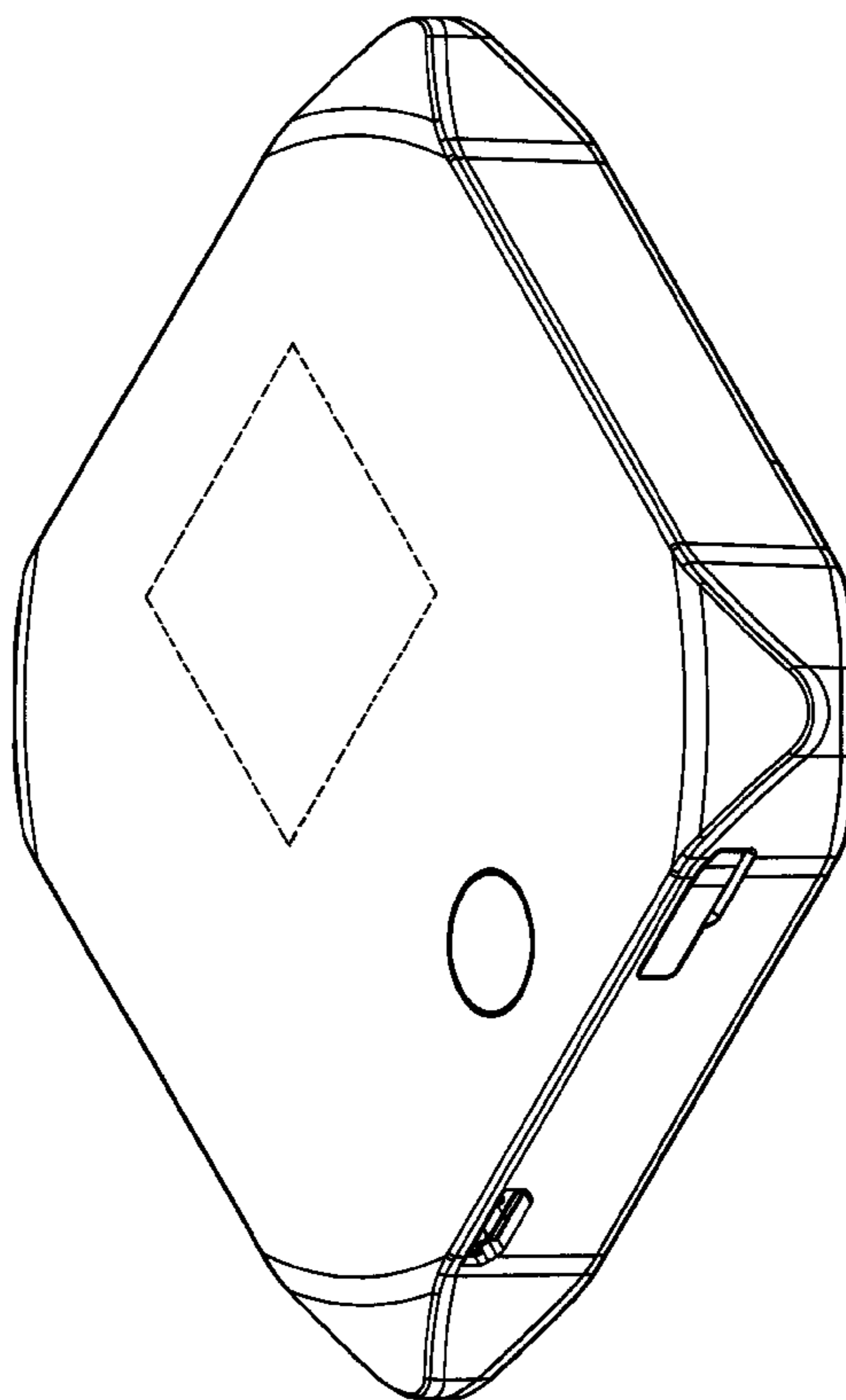
FIG. 6 is a Front View thereof;

FIG. 7 is a Left Side View thereof; and,

FIG. 8 is a Right Side View thereof.

The broken lines shown in the drawings re included for the purpose of illustrating structural environment and form no part of the claimed design.

1 Claim, 6 Drawing Sheets



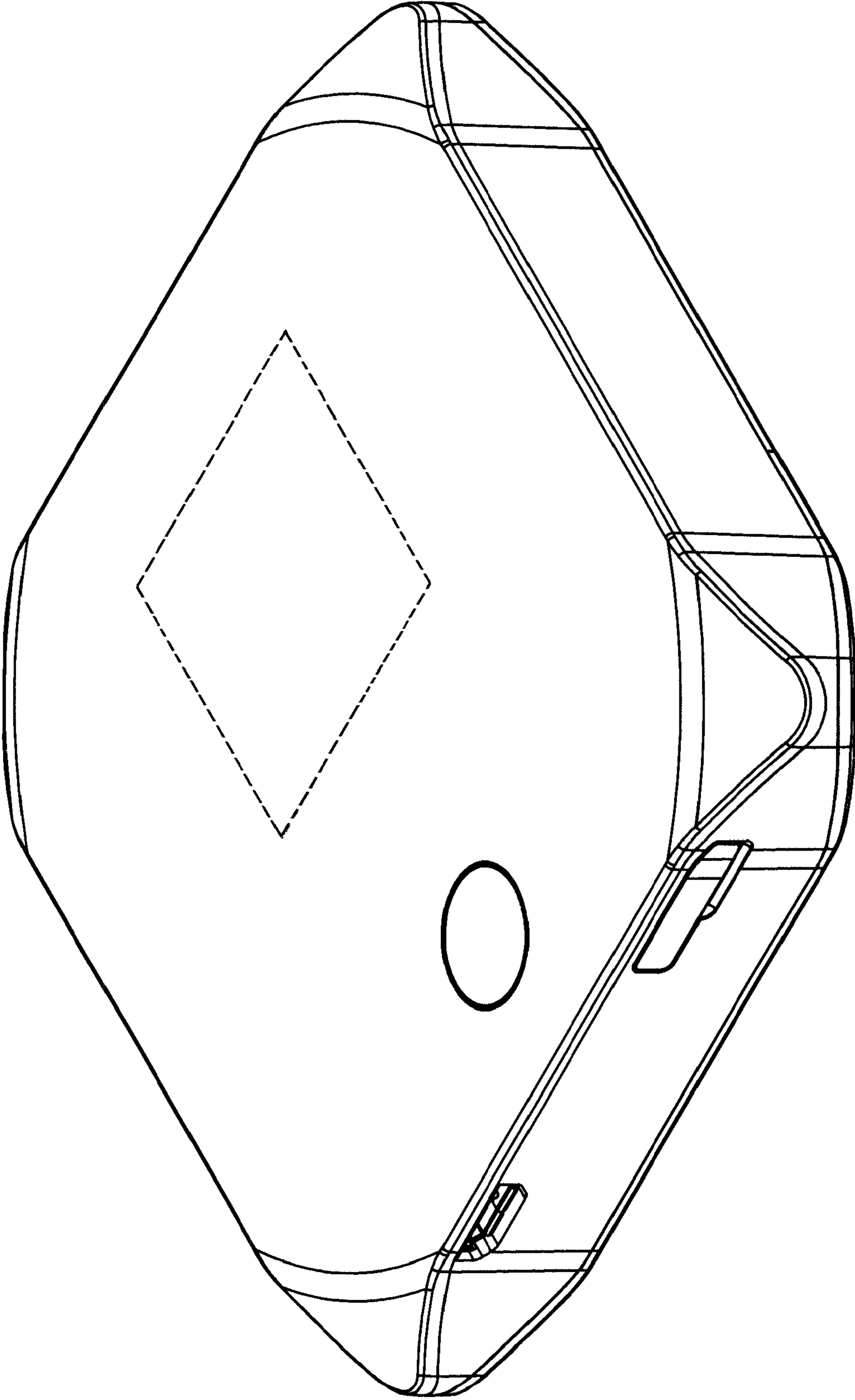


FIGURE 1

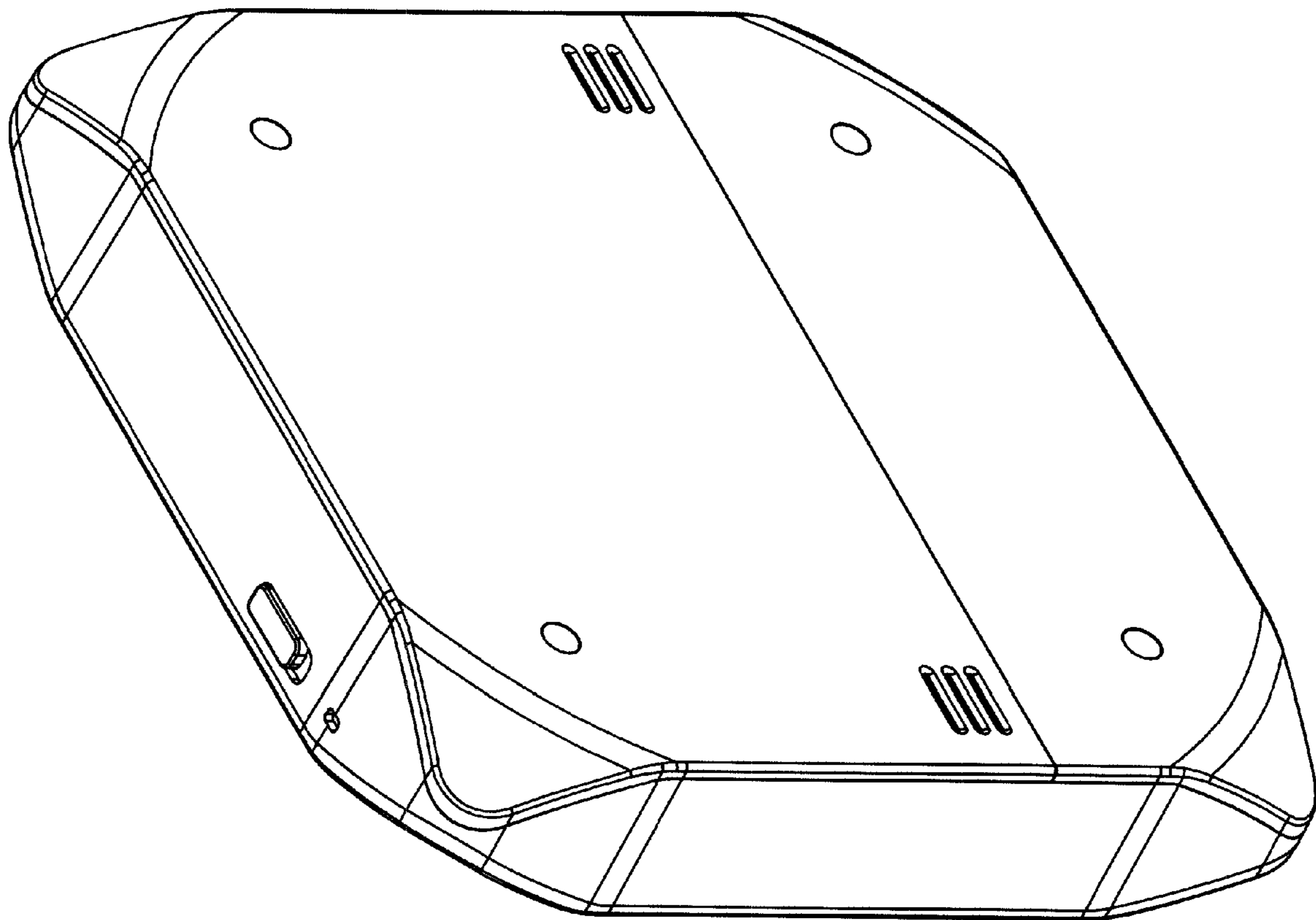


FIGURE 2

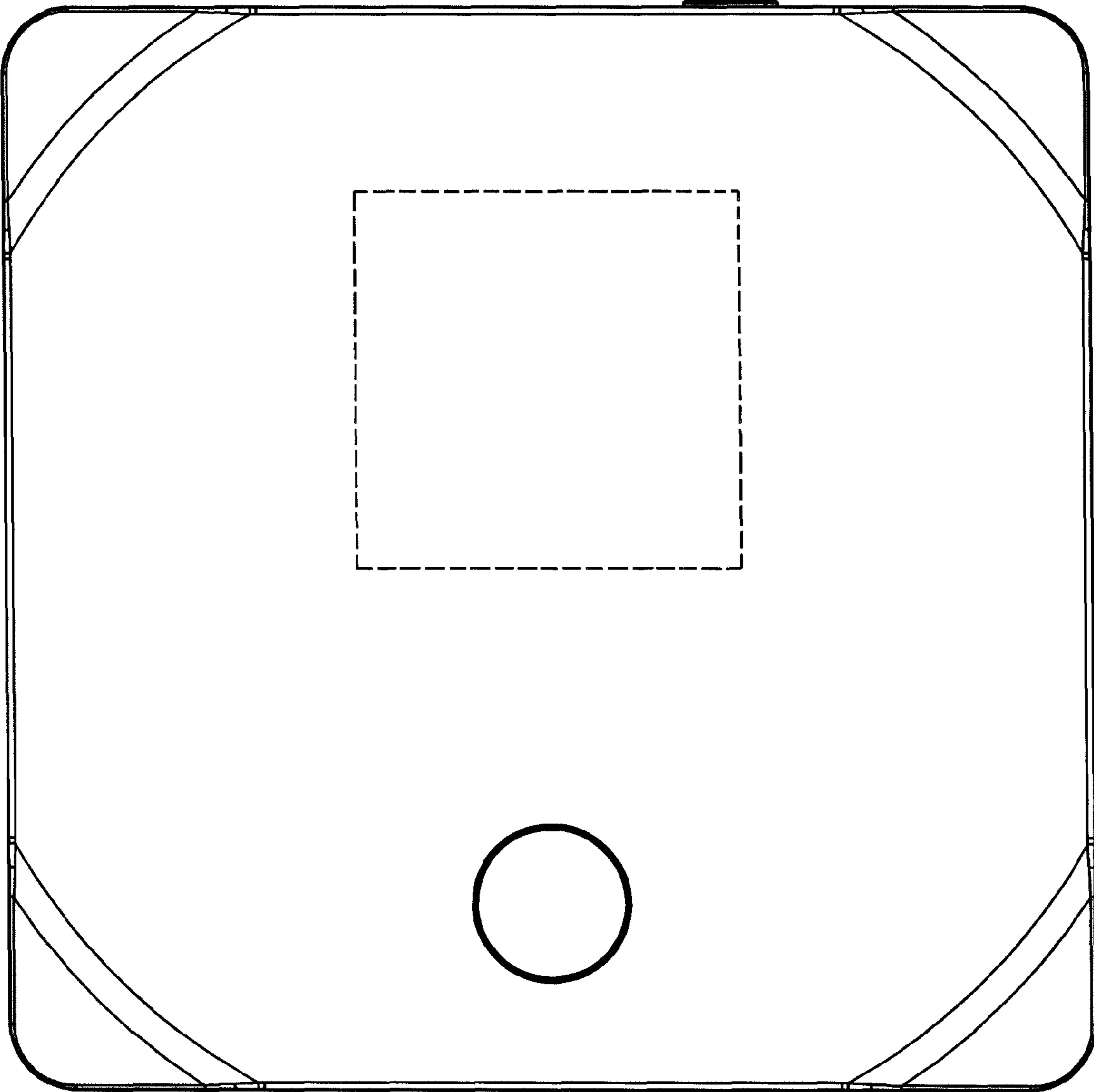


FIGURE 3

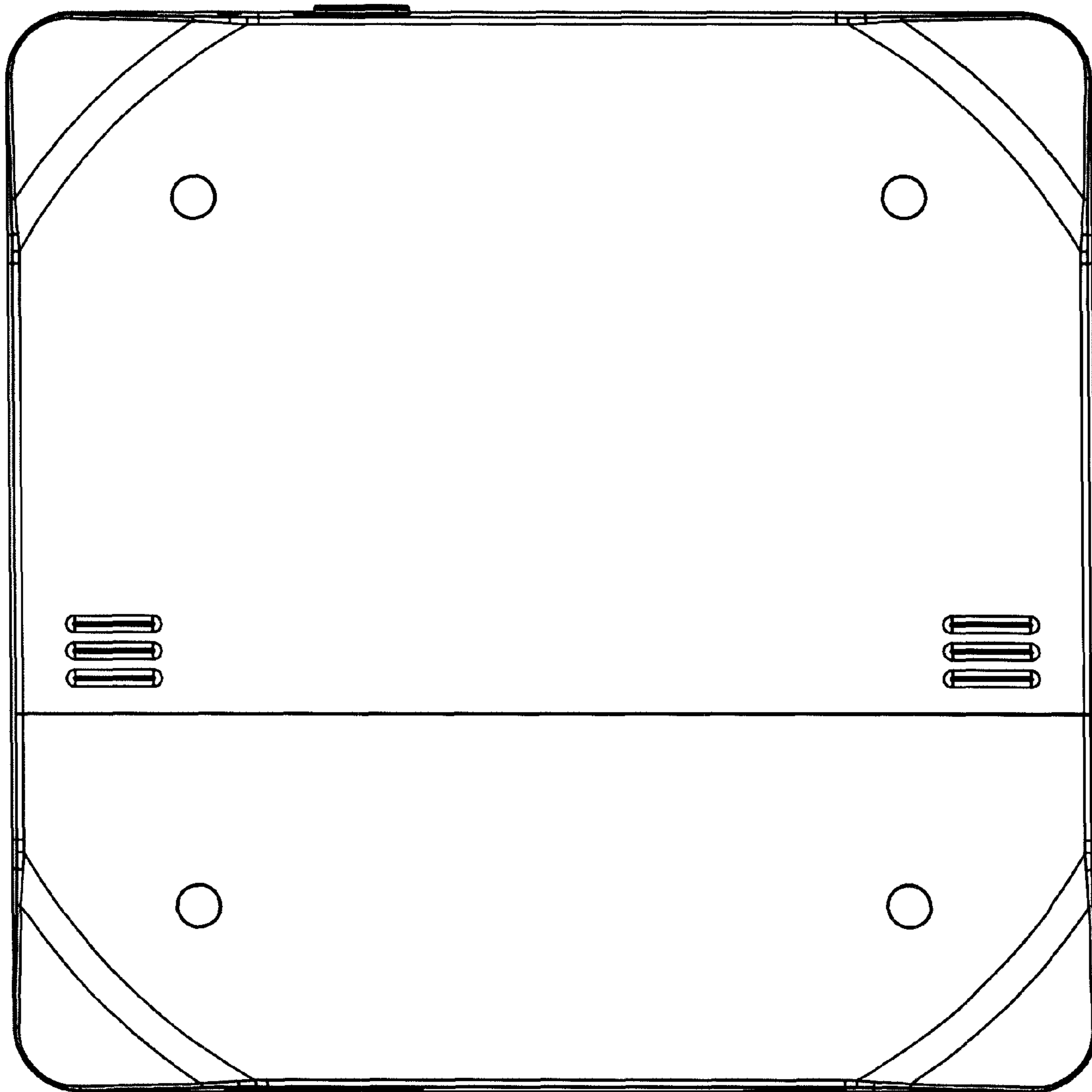


FIGURE 4

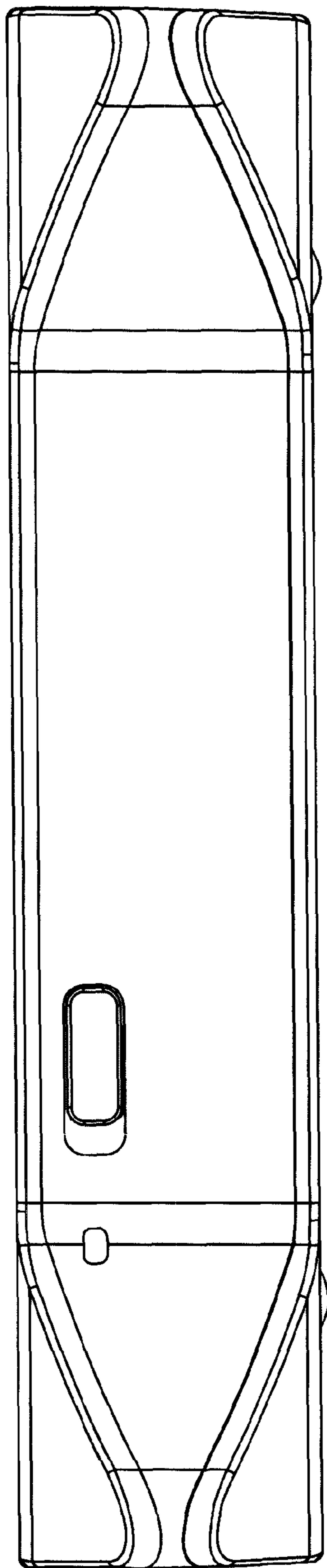


FIGURE 5

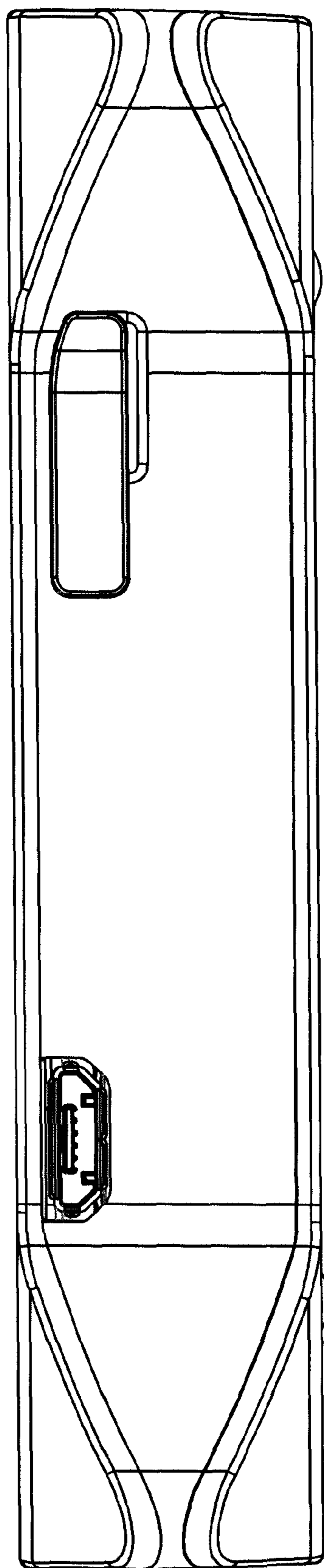


FIGURE 6

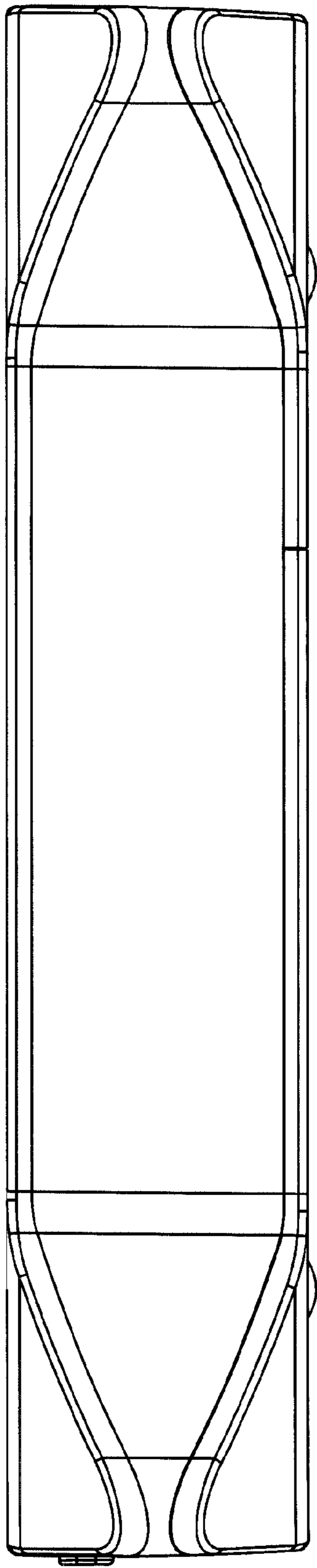


FIGURE 7

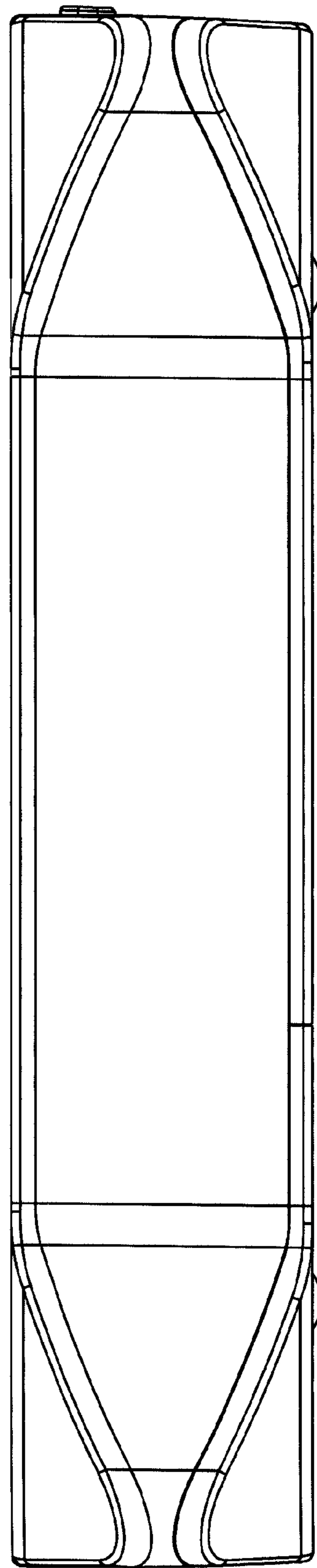


FIGURE 8