



US00D620483S

(12) **United States Design Patent**  
**Conrad et al.**

(10) **Patent No.:** **US D620,483 S**  
(45) **Date of Patent:** **\*\* Jul. 27, 2010**

(54) **TELEVISION ANTENNA**  
(75) Inventors: **Timothy John Conrad**, Mount Pleasant, IA (US); **Gail Edwin McCollum**, Wapello, IA (US)  
(73) Assignee: **Winegard Company**, Burlington, IA (US)

7,068,234 B2 6/2006 Sievenpiper  
7,180,462 B2 2/2007 Kaneko et al.  
D546,323 S 7/2007 Van Buren et al.  
D551,662 S 9/2007 Buren et al.  
7,286,097 B1 10/2007 Van Buren et al.  
7,358,909 B2 4/2008 Sherwood  
7,423,606 B2 9/2008 Knadle, Jr. et al.  
2007/0262912 A1 11/2007 Eckwielen et al.

(\*\*) Term: **14 Years**  
(21) Appl. No.: **29/343,567**  
(22) Filed: **Sep. 15, 2009**

(51) **LOC (9) Cl.** ..... **14-03**  
(52) **U.S. Cl.** ..... **D14/230**  
(58) **Field of Classification Search** ..... D14/230-238, D14/299; 343/700 R, 840, 841, 908; 455/3.02, 455/FOR. 215, 575.2  
See application file for complete search history.

**OTHER PUBLICATIONS**

U.S. Appl. No. 12/465,259, filed May 13, 2009, Conrad et al.  
U.S. Appl. No. 12/560,147, filed Sep. 15, 2009, Conrad et al.

\* cited by examiner

*Primary Examiner*—T. Chase Nelson  
*Assistant Examiner*—John Windmuller  
(74) *Attorney, Agent, or Firm*—Dorr, Carson & Birney, P.C.

(57) **CLAIM**

The ornamental design for a television antenna, as shown and described.

(56) **References Cited**

**U.S. PATENT DOCUMENTS**

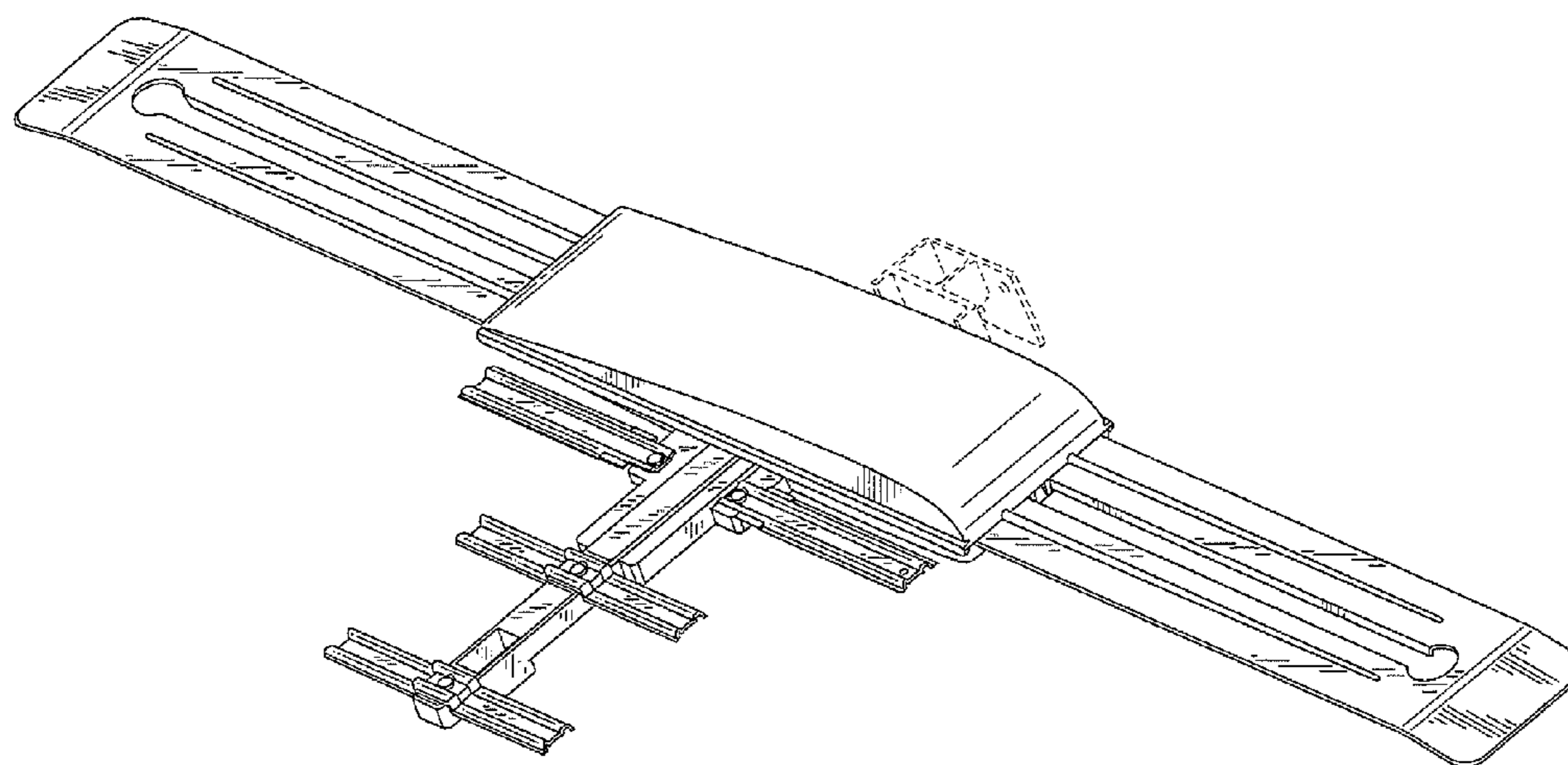
D209,969	S	1/1968	Greenberg	
D210,025	S	1/1968	Kleinberg et al.	
D222,145	S	* 10/1971	Winegard	..... D14/230
3,790,950	A	2/1974	Smith et al.	
4,218,686	A	* 8/1980	Blonder	..... 343/819
4,794,399	A	* 12/1988	Sensibaugh	..... 343/760
5,262,793	A	11/1993	Sperry	
5,612,706	A	3/1997	Podell	
D419,159	S	* 1/2000	Davi et al.	..... D14/230
D427,183	S	6/2000	Chrisey et al.	
6,154,180	A	11/2000	Padrick	
6,483,476	B2	11/2002	Cox	
D480,387	S	10/2003	Burns	
D500,496	S	1/2005	Sherwood	

**DESCRIPTION**

FIG. 1 is a perspective view of a television antenna showing our new design.  
FIG. 2 is a top plan view thereof.  
FIG. 3 is a front elevational view thereof.  
FIG. 4 is a bottom plan view thereof.  
FIG. 5 is a right side elevational view thereof.  
FIG. 6 is a left side elevational view thereof; and,  
FIG. 7 is a rear elevational view thereof.

The broken lines in the figures depict environmental subject matter and form no part of the claimed design.

**1 Claim, 7 Drawing Sheets**



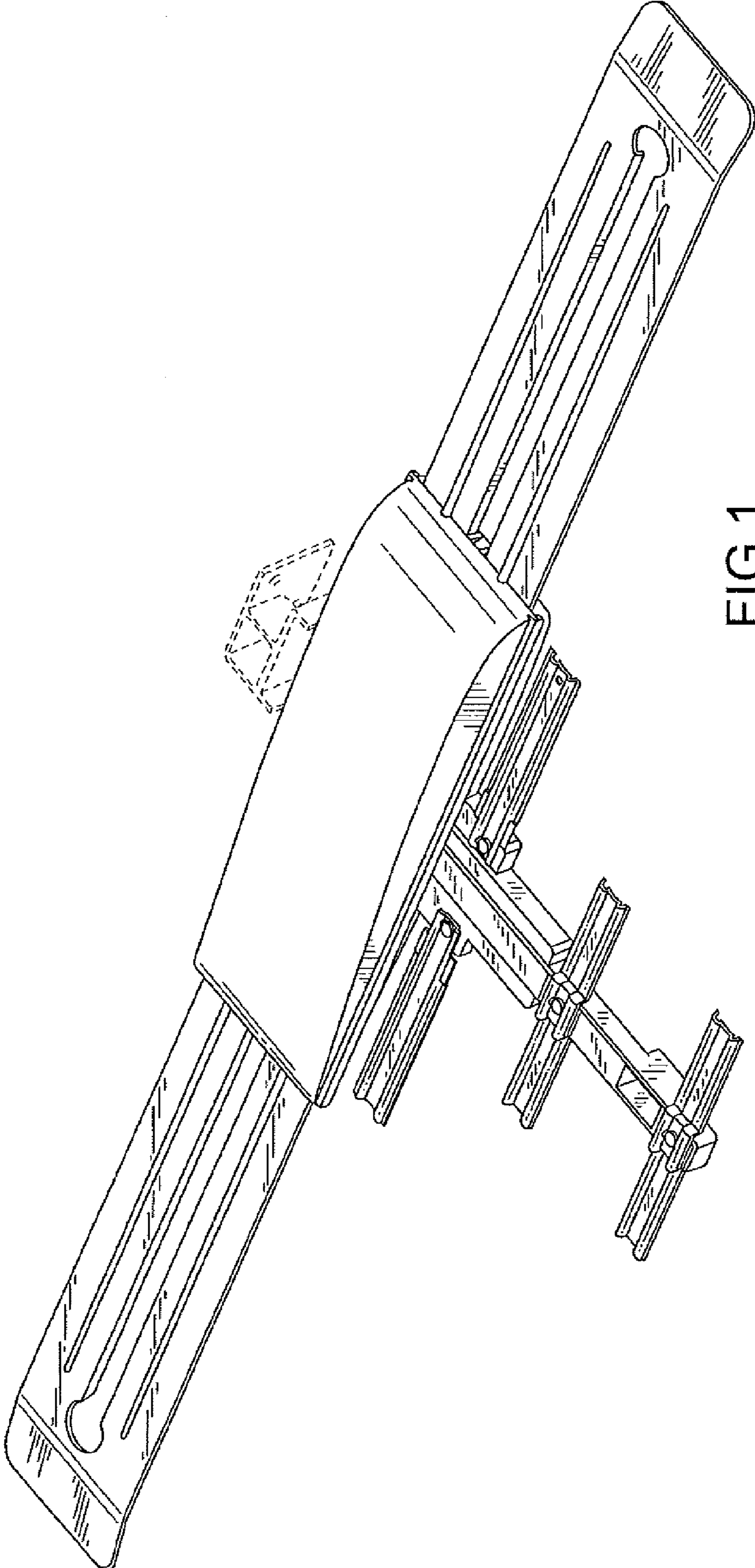


FIG. 1

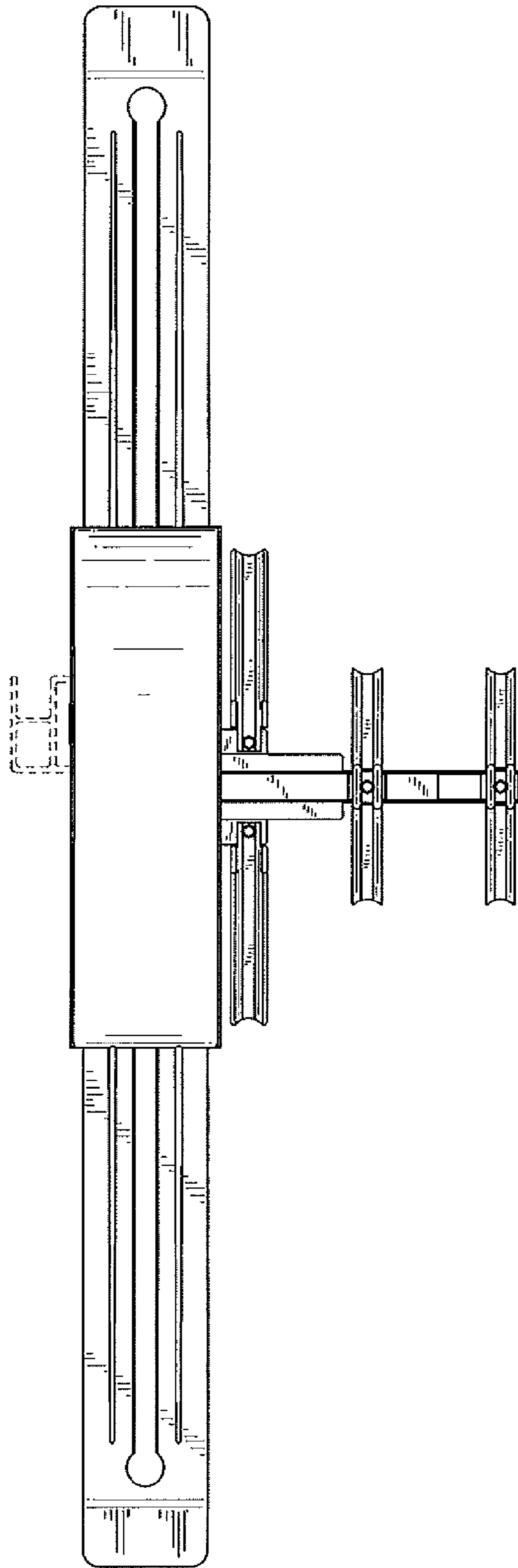


FIG.2

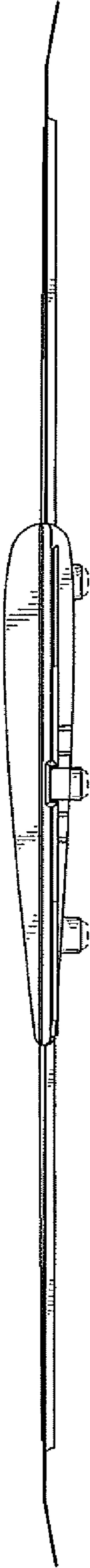


FIG.3

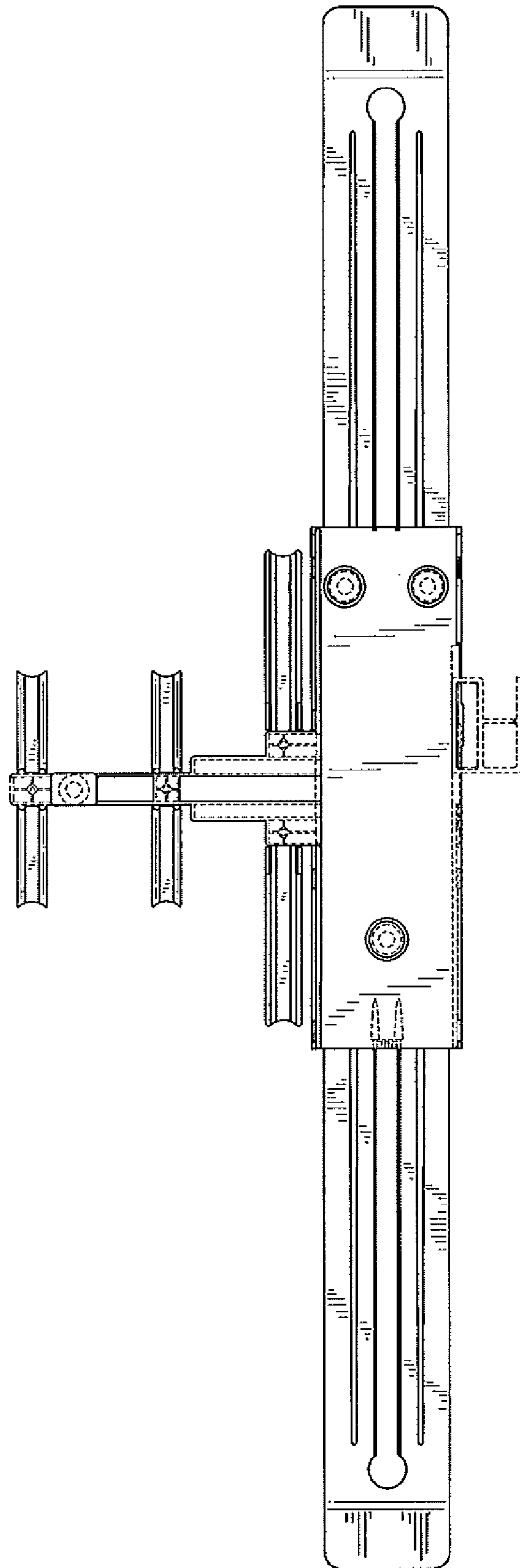


FIG.4

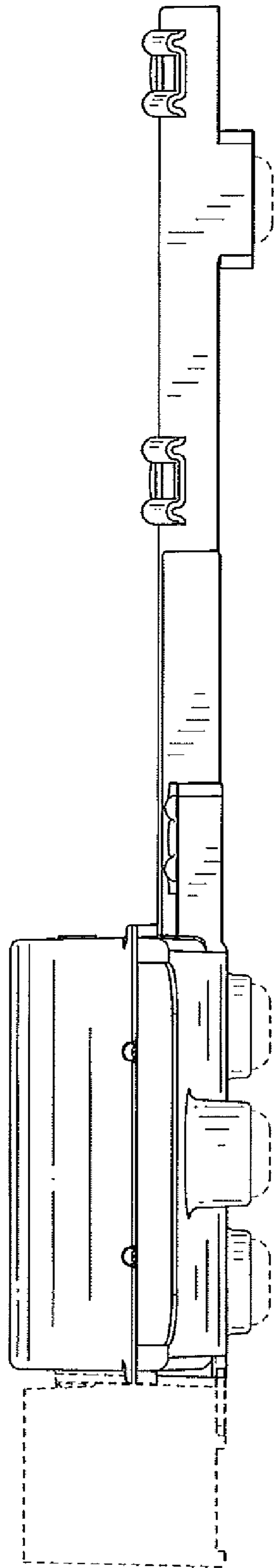


FIG. 5

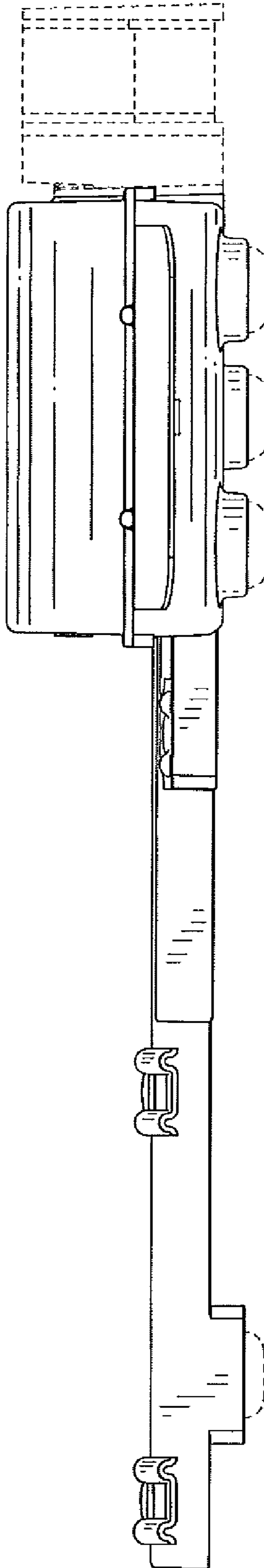


FIG.6



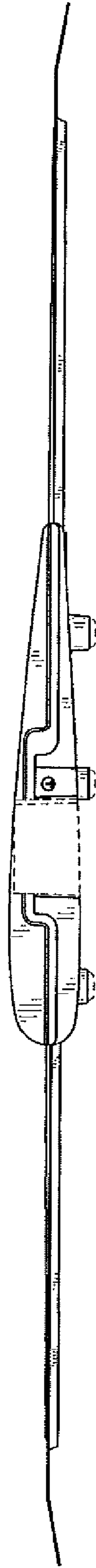


FIG.7