

US00D620481S

(12) **United States Design Patent**
Lee et al.

(10) **Patent No.:** **US D620,481 S**
(45) **Date of Patent:** **** Jul. 27, 2010**

(54) **CIGAR JACK TYPE CRADLE FOR A WIRELESS HEADSET**

(75) Inventors: **Sung-Ho Lee**, Seoul (KR);
Chang-Hwan Hwang, Seongnam-si (KR); **Jong-Chan Kwon**, Yongin-si (KR)

(73) Assignee: **Samsung Electronics Co., Ltd.**,
Maetan-dong, Yeongtong-gu, Suwon-si, Gyeonggi-do (KR)

(**) Term: **14 Years**

(21) Appl. No.: **29/348,390**

(22) Filed: **Dec. 29, 2009**

(51) **LOC (9) Cl.** **14-01**

(52) **U.S. Cl.** **D14/224; D14/223**

(58) **Field of Classification Search** D14/205,
D14/206, 223, 217, 149, 224, 224.1, 248,
D14/251, 253, 238.1, 155, 221, 260, 229,
D14/239, 434; D13/108, 107, 144; 320/107,
320/110, 113; 439/529, 675, 668; 455/557,
455/569.1, 575.9; 379/420.01–420.04, 428.01–428.04,
379/454, 446; 307/107, 110, 113, 10.1; 363/146
See application file for complete search history.

(56) **References Cited**

U.S. PATENT DOCUMENTS

D303,954 S * 10/1989 Michels et al. D14/155
D349,096 S * 7/1994 Hyvonen D13/107

6,512,826 B1 * 1/2003 Kim 379/420.04
6,612,875 B1 * 9/2003 Liao 439/675
D492,249 S * 6/2004 Suomalainen et al. D13/108
D525,201 S * 7/2006 Navarrez et al. D13/144
D530,280 S * 10/2006 Krieger et al. D13/144
D546,287 S * 7/2007 Tanishita D13/144
D554,585 S * 11/2007 Nazar D13/110
D585,375 S * 1/2009 Andre et al. D13/133
D603,840 S * 11/2009 Lee et al. D14/217
D604,699 S * 11/2009 Yamamoto D13/144

* cited by examiner

Primary Examiner—Paula Greene

(57) **CLAIM**

The ornamental design for a cigar jack type cradle for a wireless headset, as shown and described.

DESCRIPTION

FIG. 1 is a perspective view of a cigar jack type cradle for a wireless headset showing our new design;

FIG. 2 is a front elevational view thereof;

FIG. 3 is a rear elevational view thereof;

FIG. 4 is a left side elevational view thereof;

FIG. 5 is a right side elevational view thereof;

FIG. 6 is a top plan view thereof; and,

FIG. 7 is a bottom plan view thereof.

The broken line forms no part of the claimed design.

1 Claim, 6 Drawing Sheets

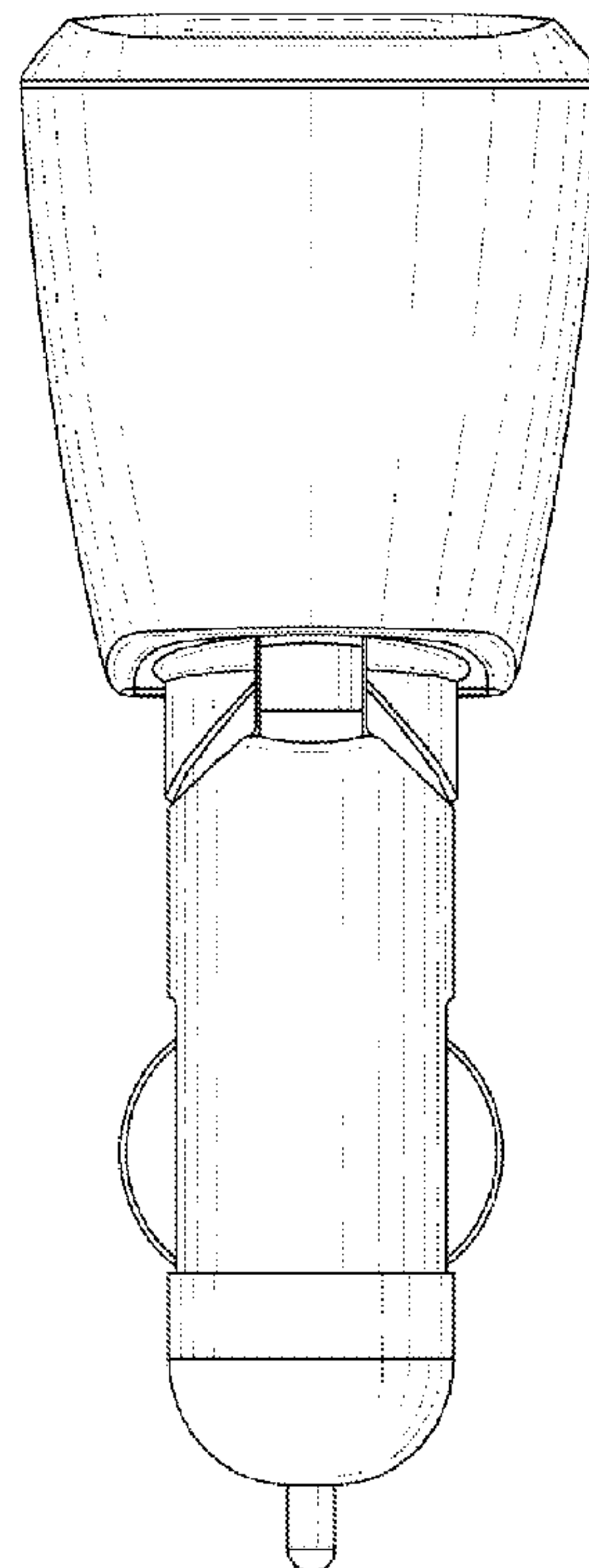
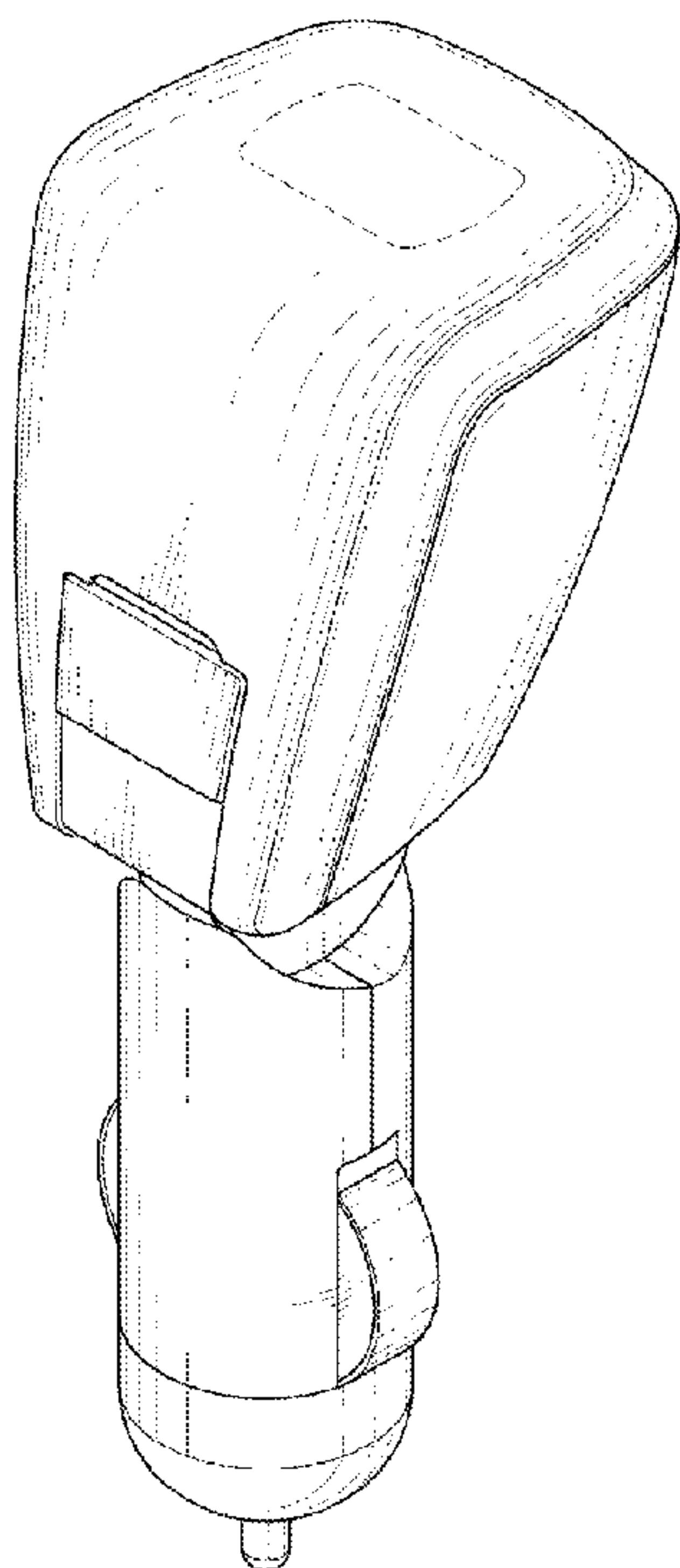


FIG. 1

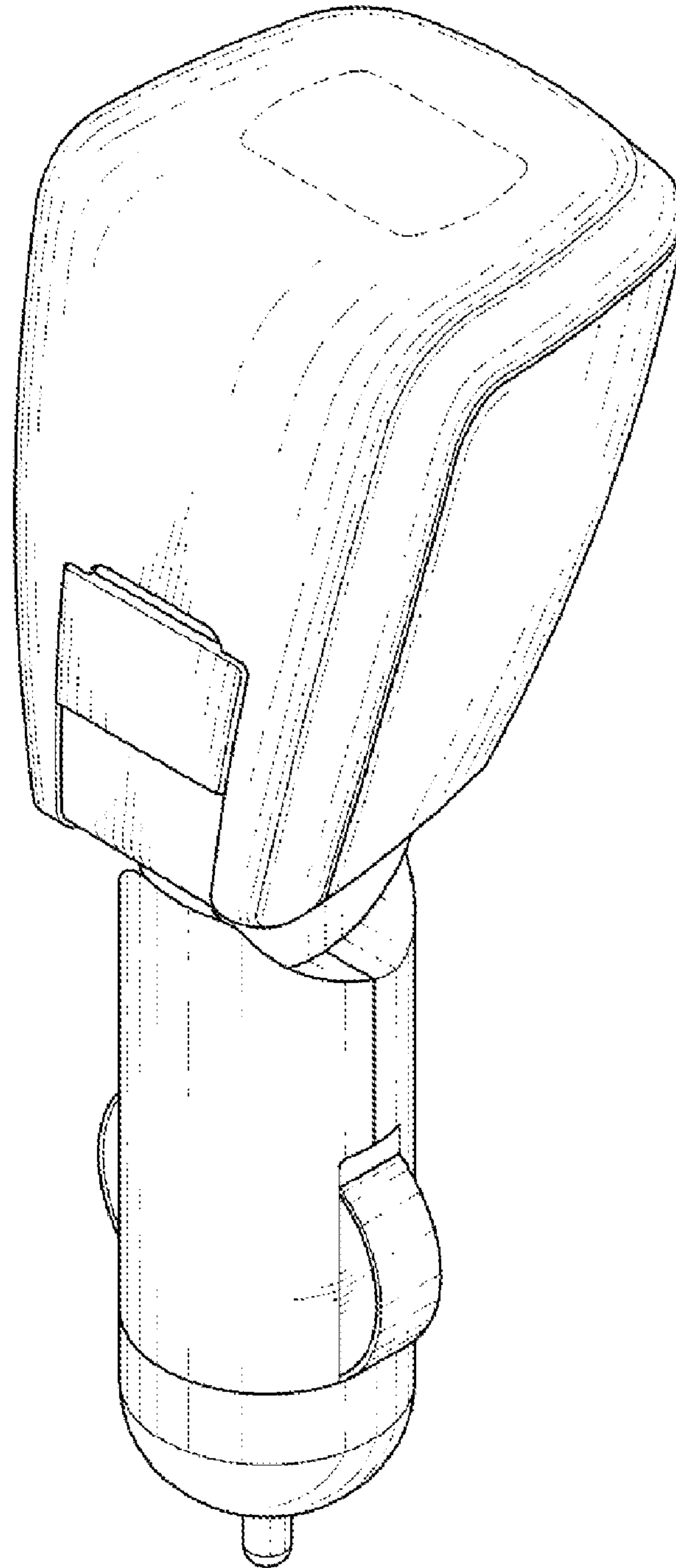


FIG. 2

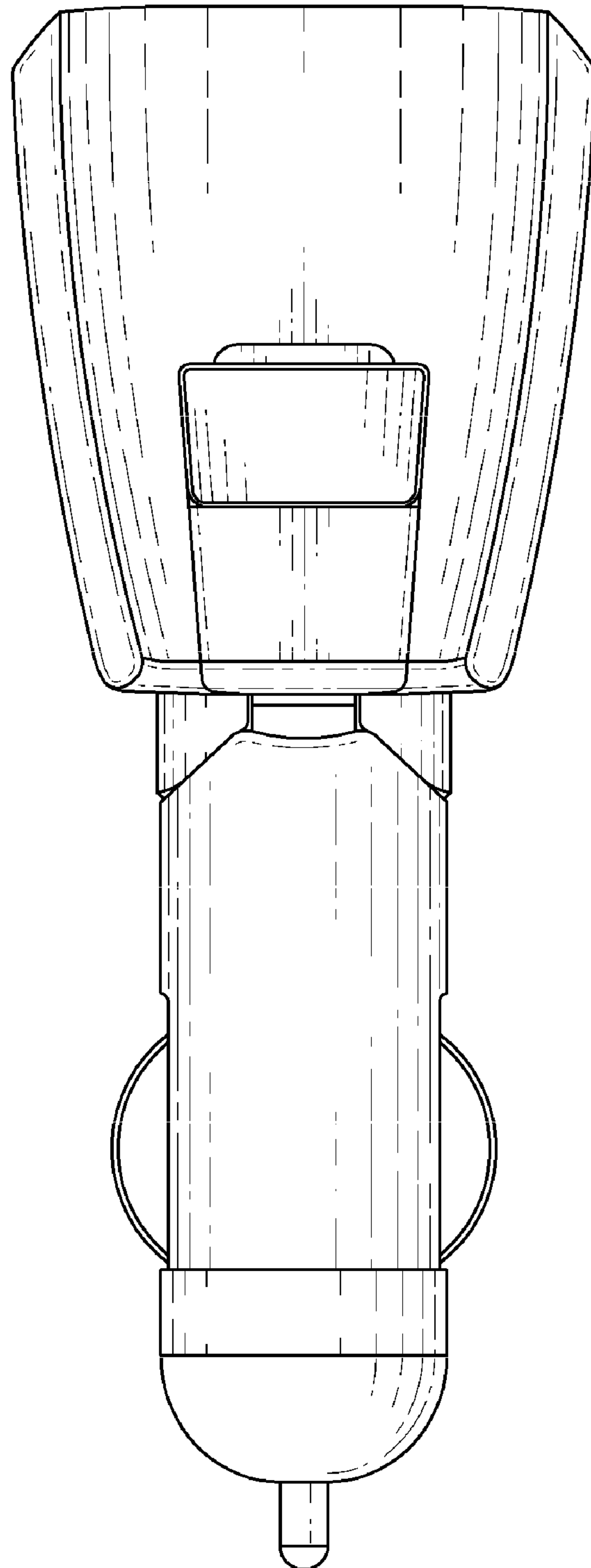


FIG. 3

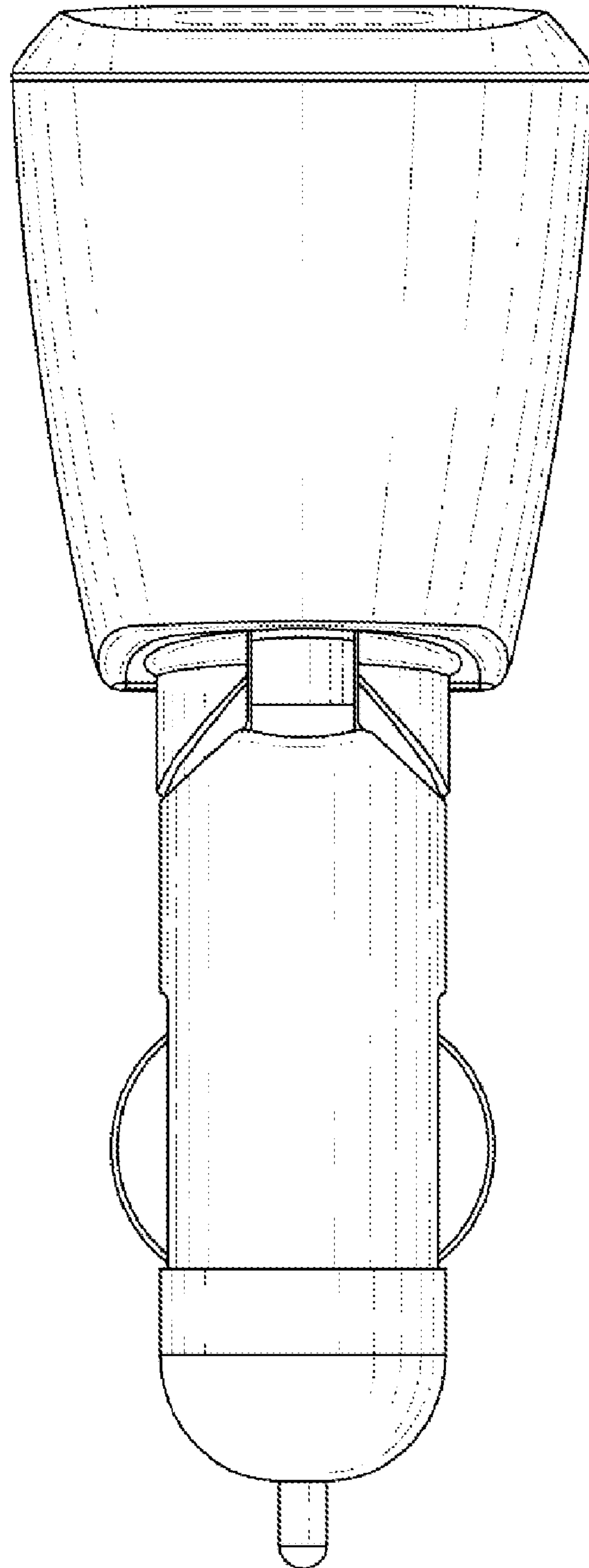


FIG. 4

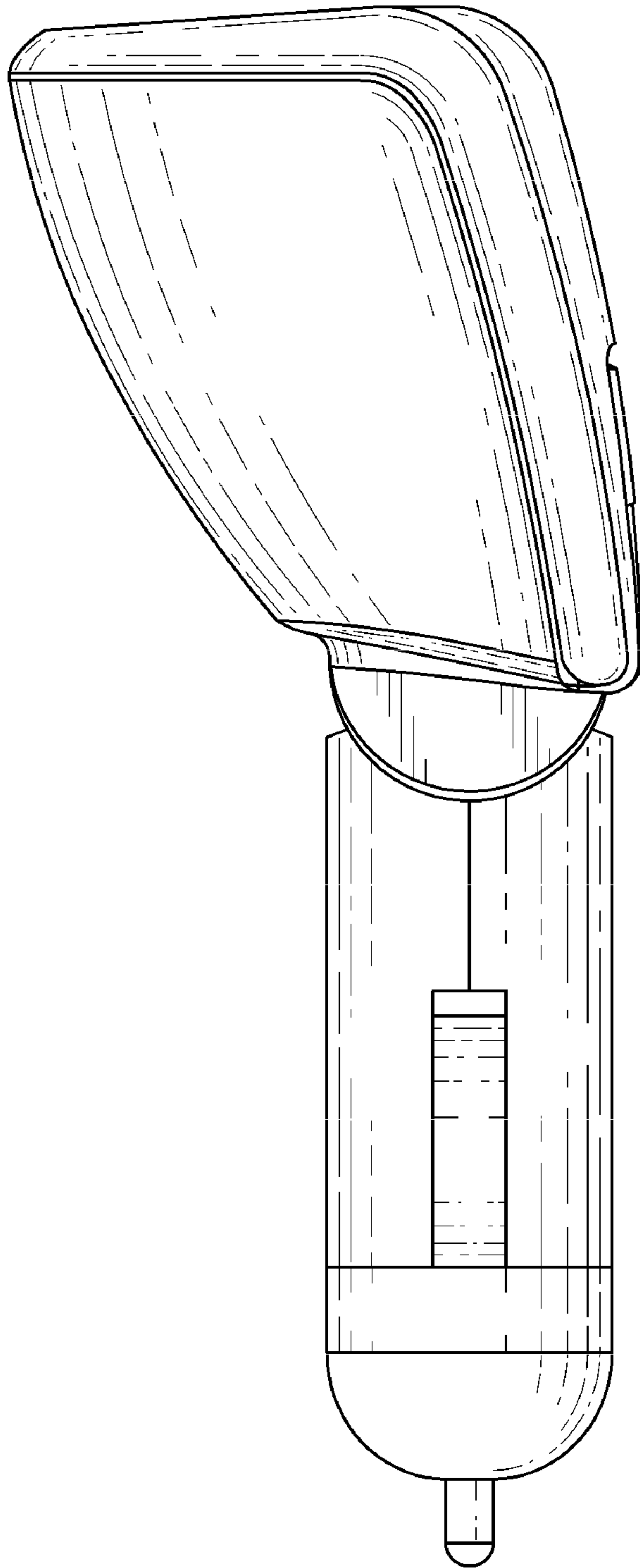


FIG. 5

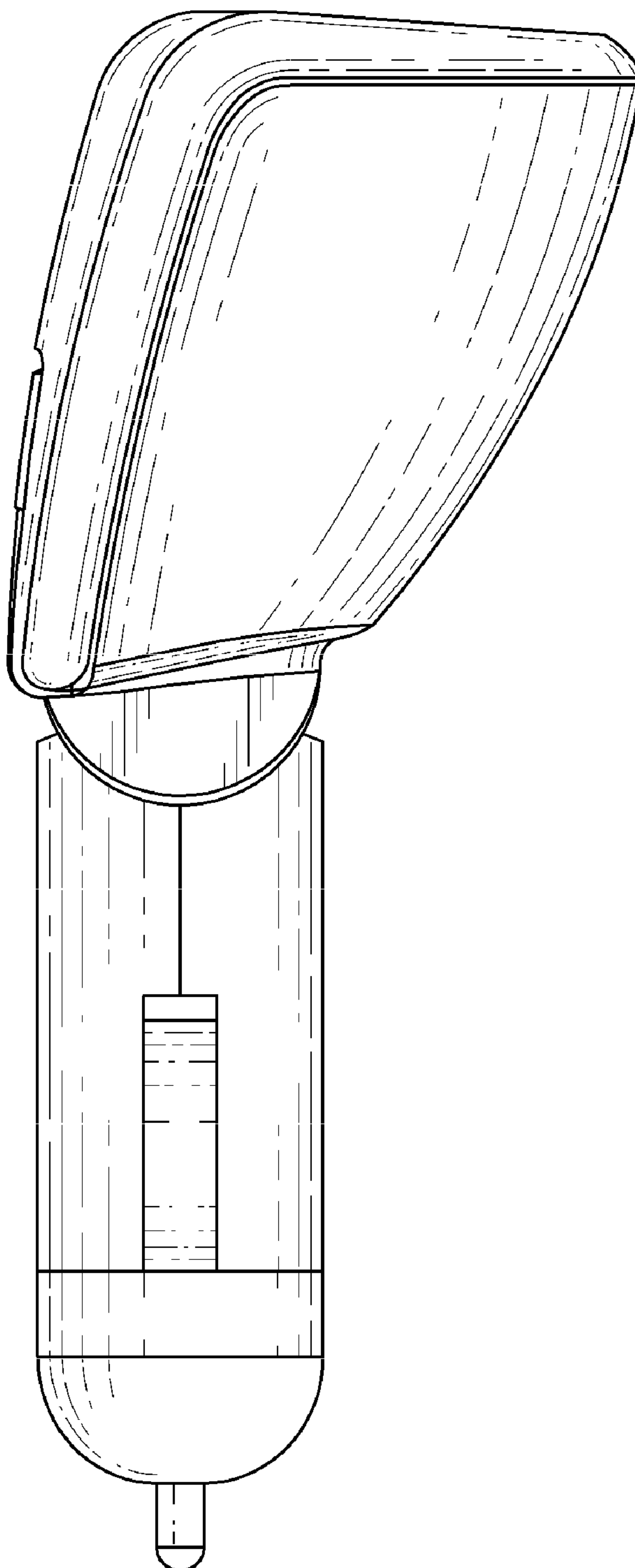


FIG. 6

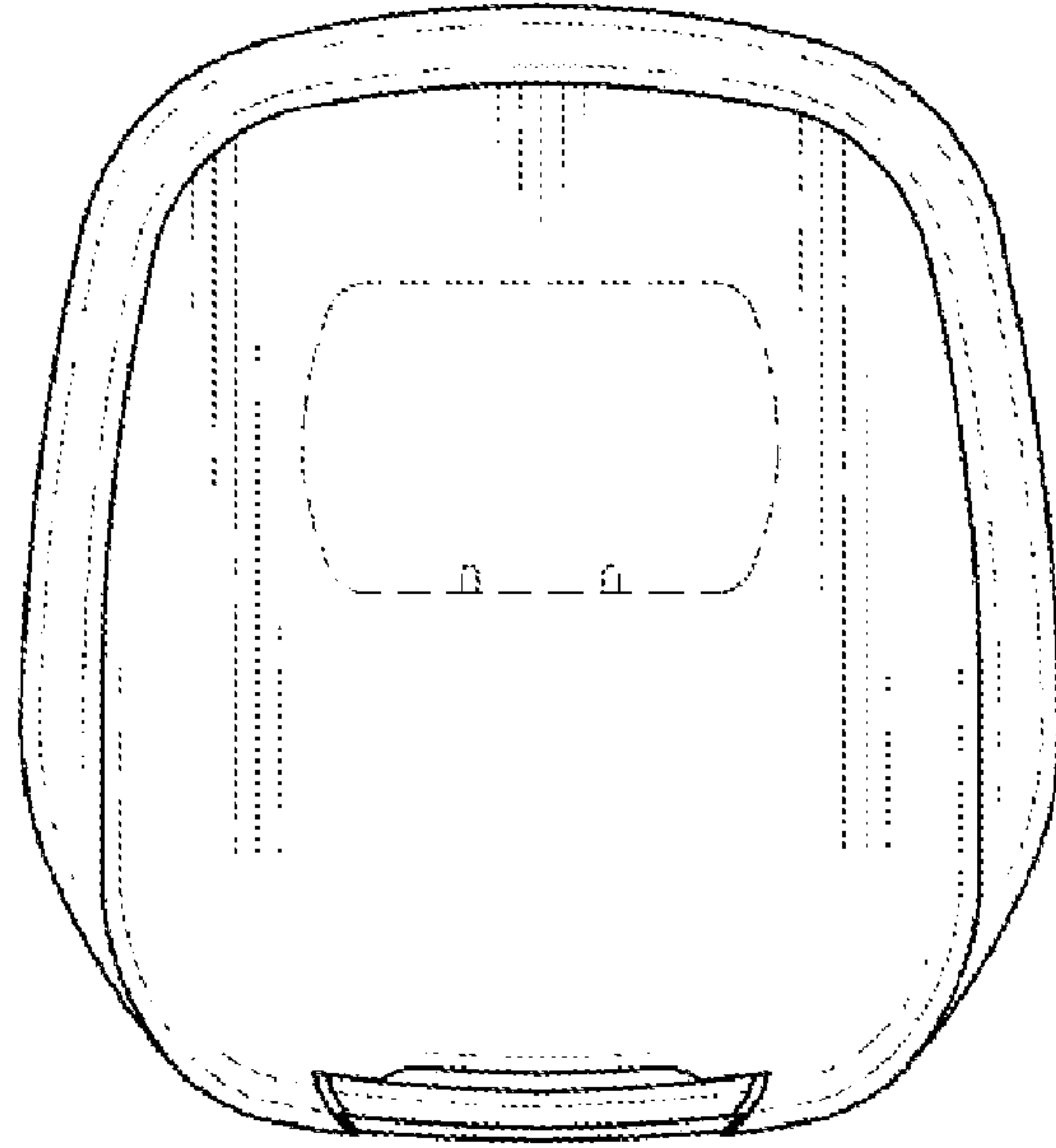


FIG. 7

