



US00D620480S

(12) **United States Design Patent**
Garrett

(10) **Patent No.:** **US D620,480 S**

(45) **Date of Patent:** **** Jul. 27, 2010**

(54) **MULTIMEDIA SPEAKER**

(75) Inventor: **Jennifer Elizabeth Garrett**, Ardsley, PA (US)

(73) Assignee: **SDI Technologies, Inc.**, Rahway, NJ (US)

(**) Term: **14 Years**

(21) Appl. No.: **29/338,759**

(22) Filed: **Jun. 18, 2009**

(51) **LOC (9) Cl.** **14-01**

(52) **U.S. Cl.** **D14/216**

(58) **Field of Classification Search** D14/204,
D14/210–216, 172; 181/143–144, 147–148,
181/150–153, 157, 198–199; 381/300–303,
381/306, 332–333, 336, 345, 361–364, 386–388
See application file for complete search history.

(56) **References Cited**

U.S. PATENT DOCUMENTS

4,574,906	A *	3/1986	White et al.	181/145
D315,562	S *	3/1991	Brown	D14/213
D342,738	S *	12/1993	Hwang	D14/213
5,319,164	A *	6/1994	Shen	181/150
D554,619	S *	11/2007	Solland	D14/215

* cited by examiner

Primary Examiner—Nanda Bondade
(74) *Attorney, Agent, or Firm*—Ostrolenk Faber LLP

(57) **CLAIM**

The ornamental design for a multimedia speaker, as shown and described.

DESCRIPTION

FIG. 1 is a front perspective view of multimedia speaker in an open condition showing my new design;

FIG. 2 is a front view thereof;

FIG. 3 is a rear view thereof;

FIG. 4 is a top view thereof;

FIG. 5 is a bottom view, thereof;

FIG. 6 is a left side view thereof;

FIG. 7 is a right side view thereof;

FIG. 8 is a front perspective view thereof in a closed condition;

FIG. 9 is a front view thereof;

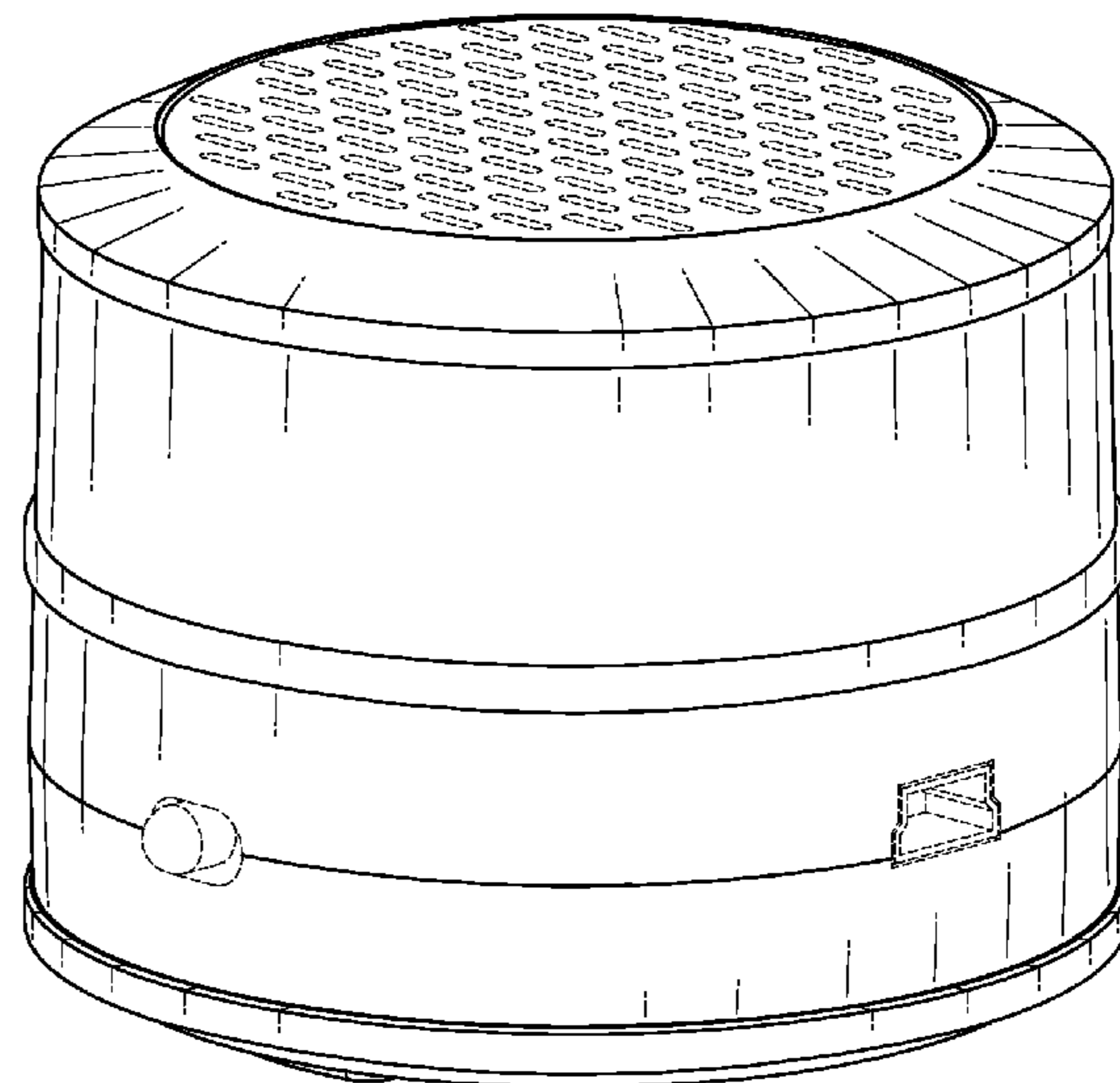
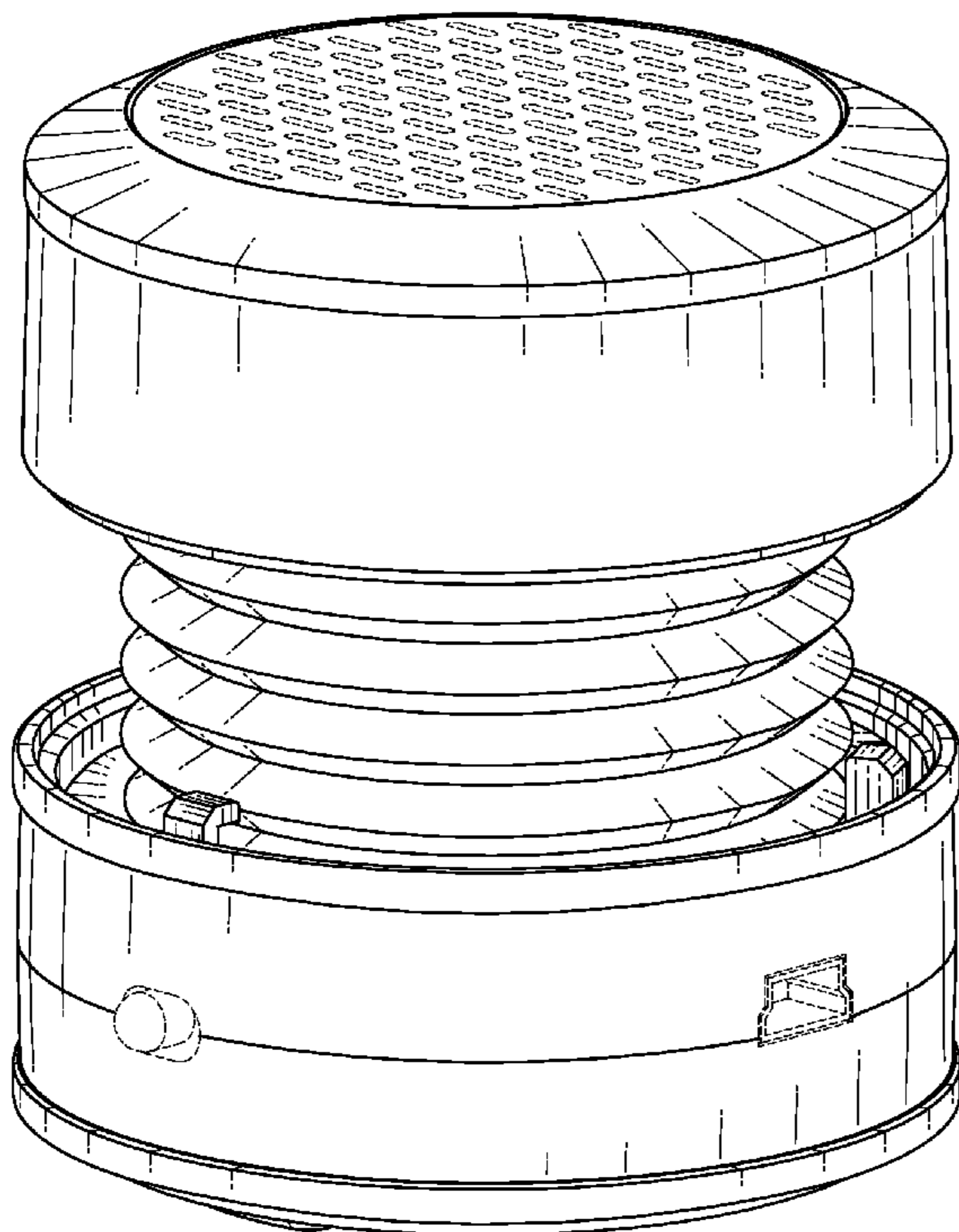
FIG. 10 is a rear view thereof;

FIG. 11 is a left side view thereof; and,

FIG. 12 is a right side view thereof.

The broken line showing is of environmental material and forms no part of the claimed design.

1 Claim, 12 Drawing Sheets



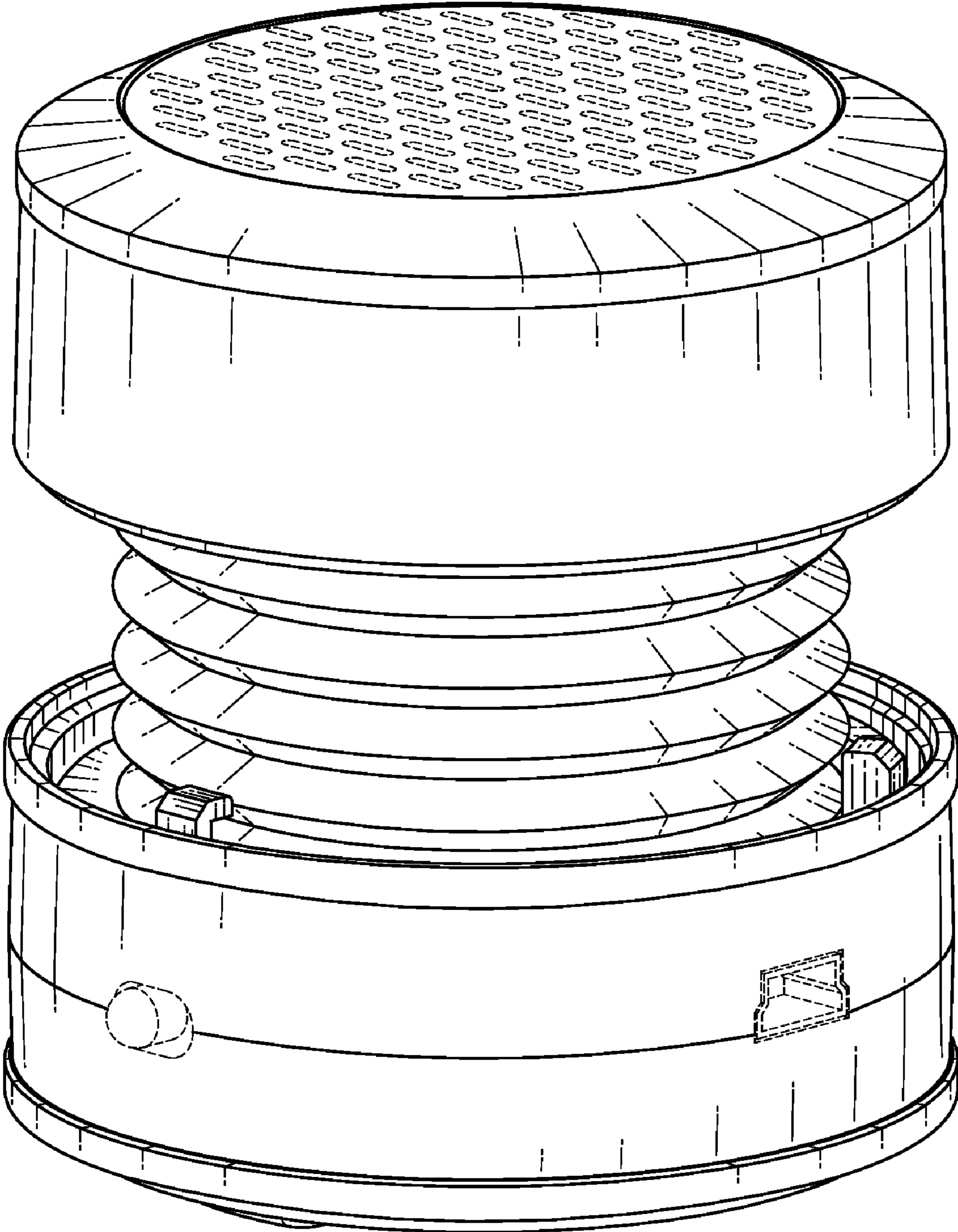


FIG. 1

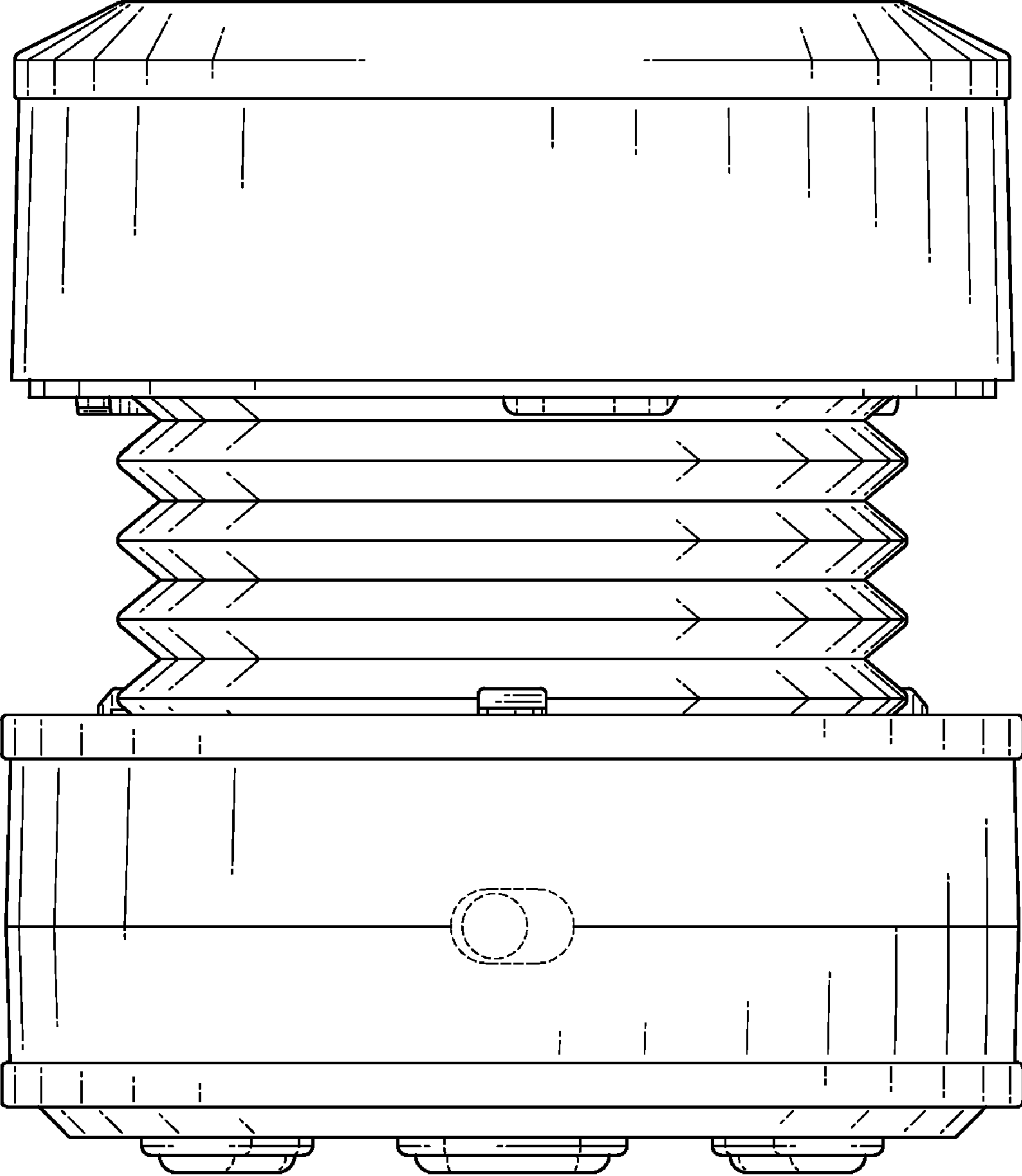


FIG. 2

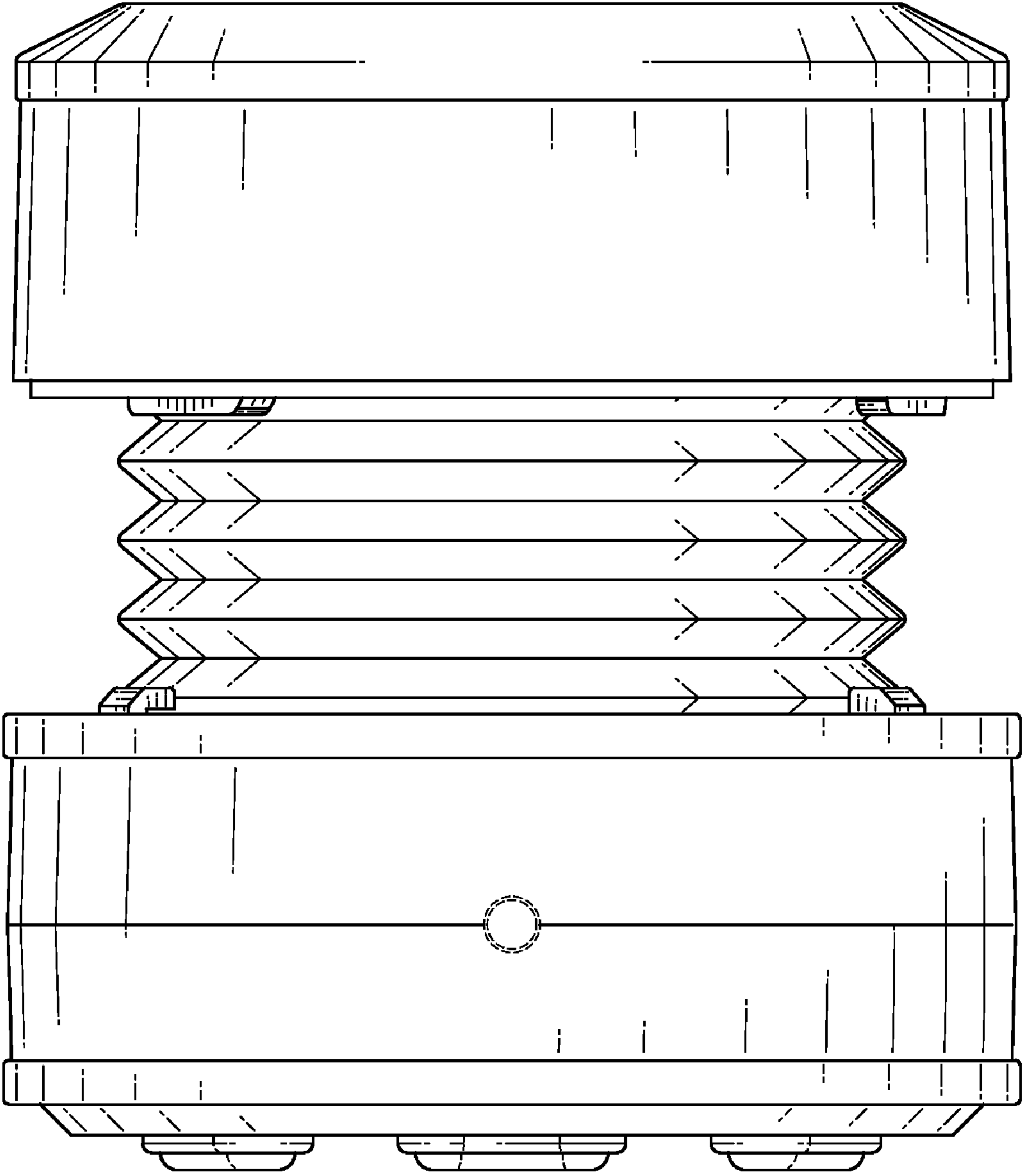


FIG. 3

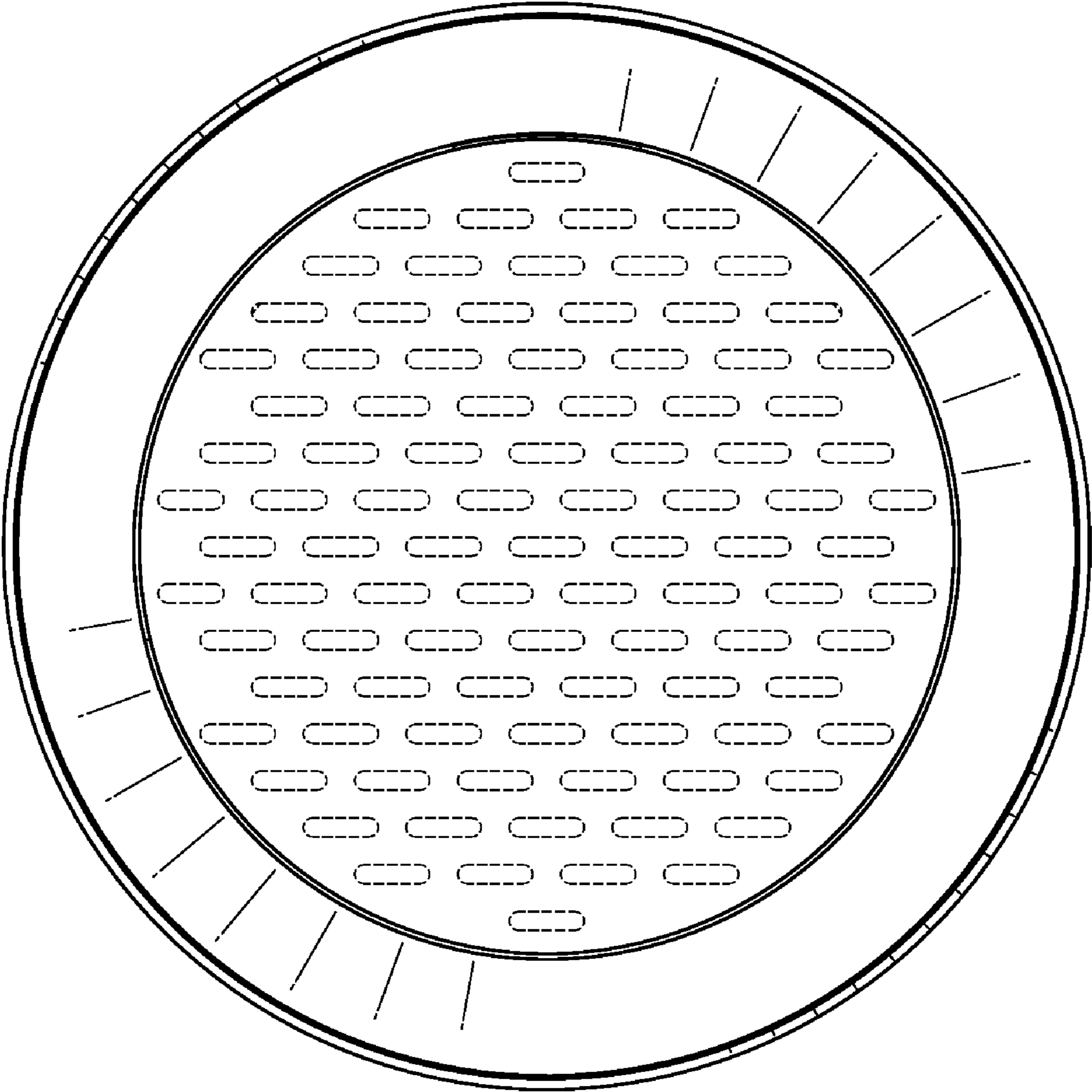


FIG. 4

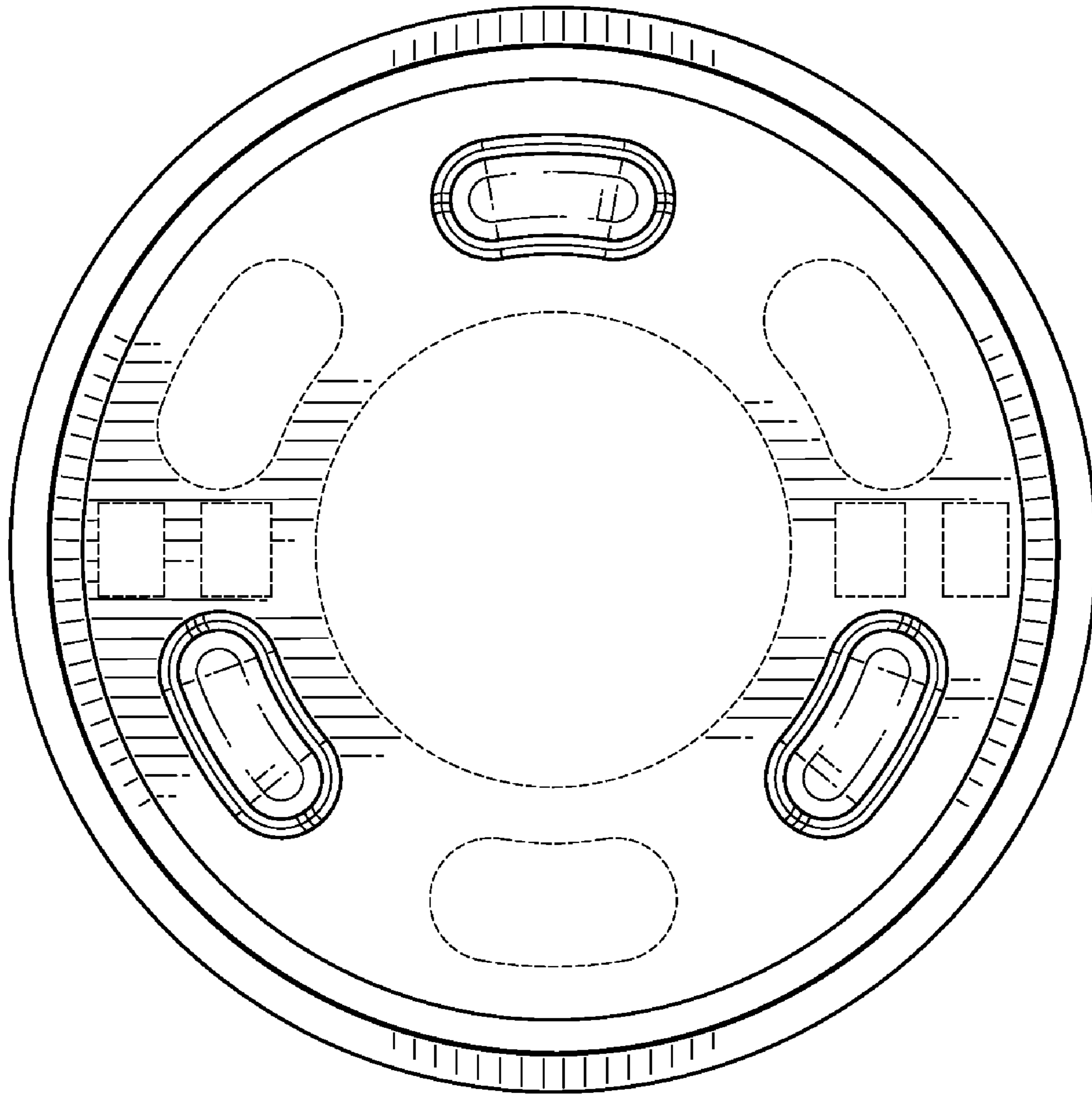


FIG. 5

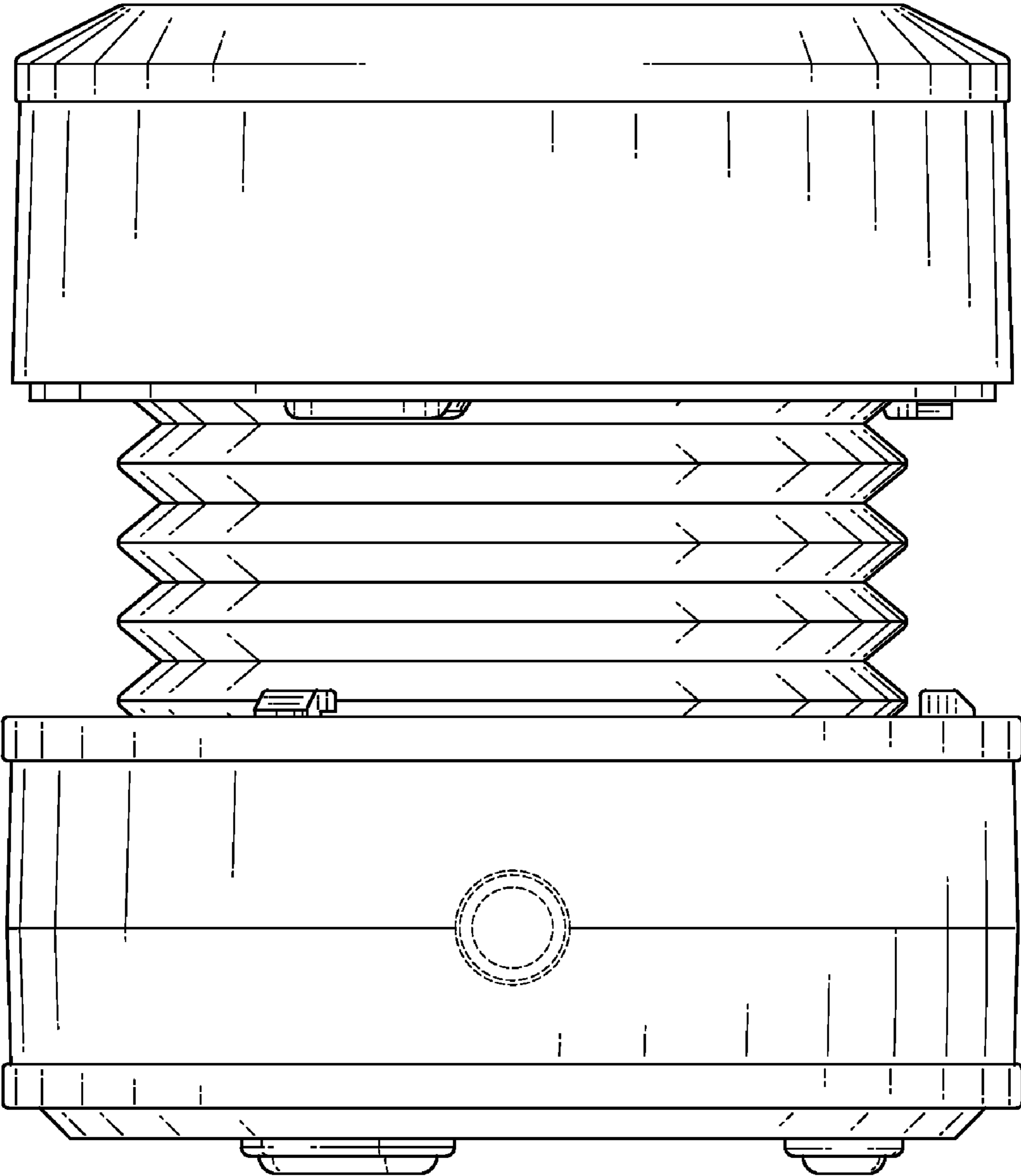


FIG. 6

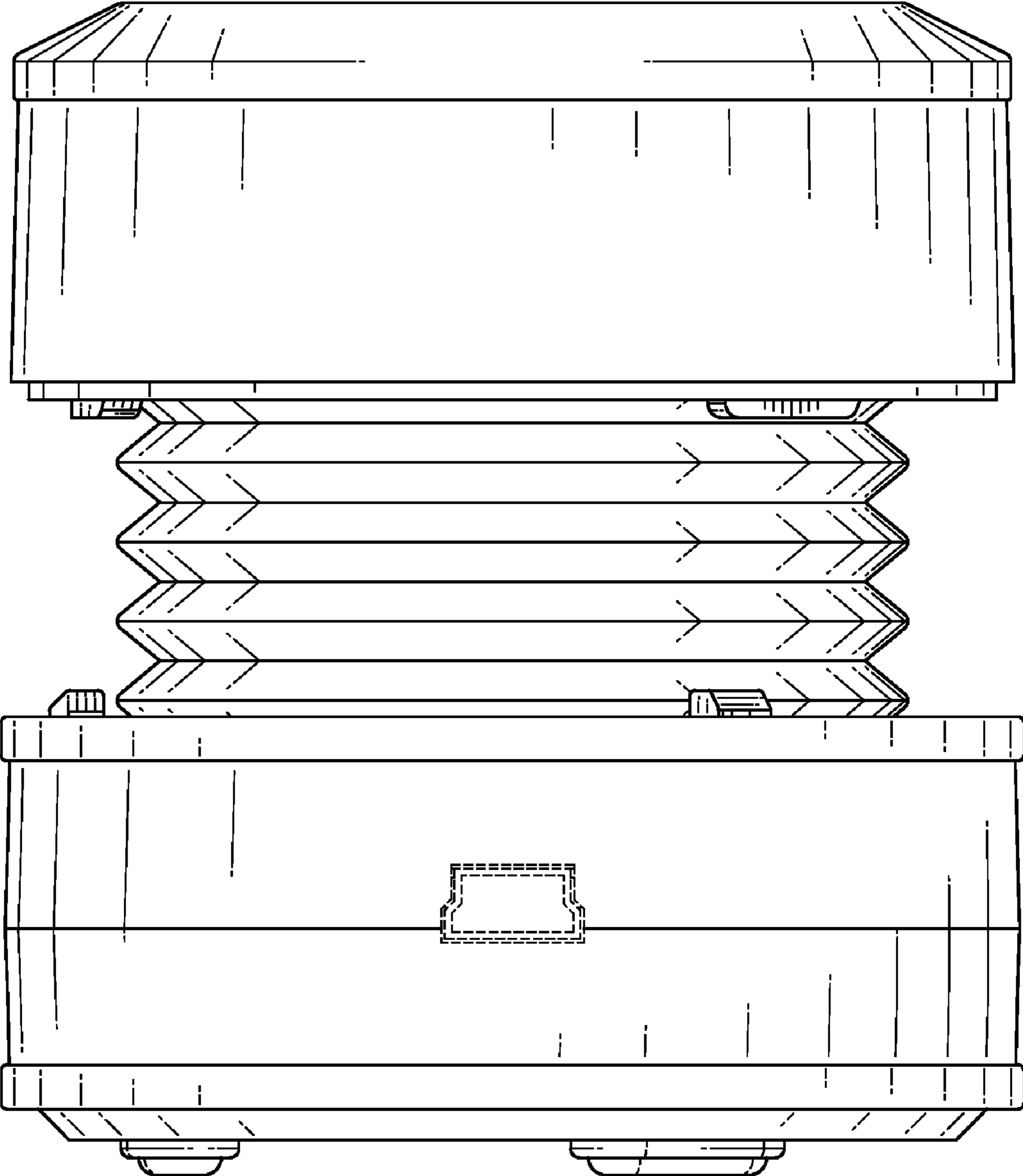


FIG. 7

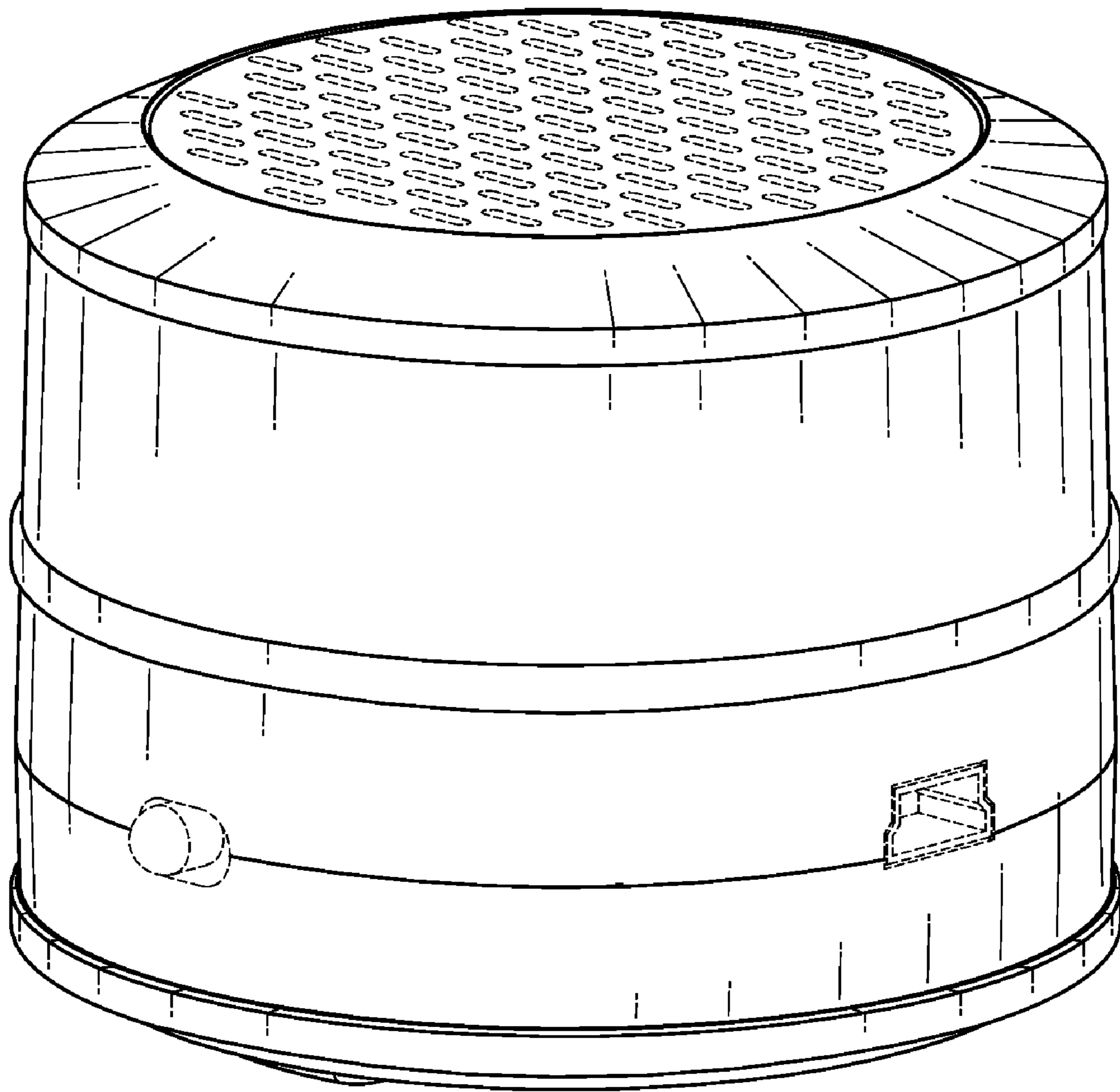


FIG. 8

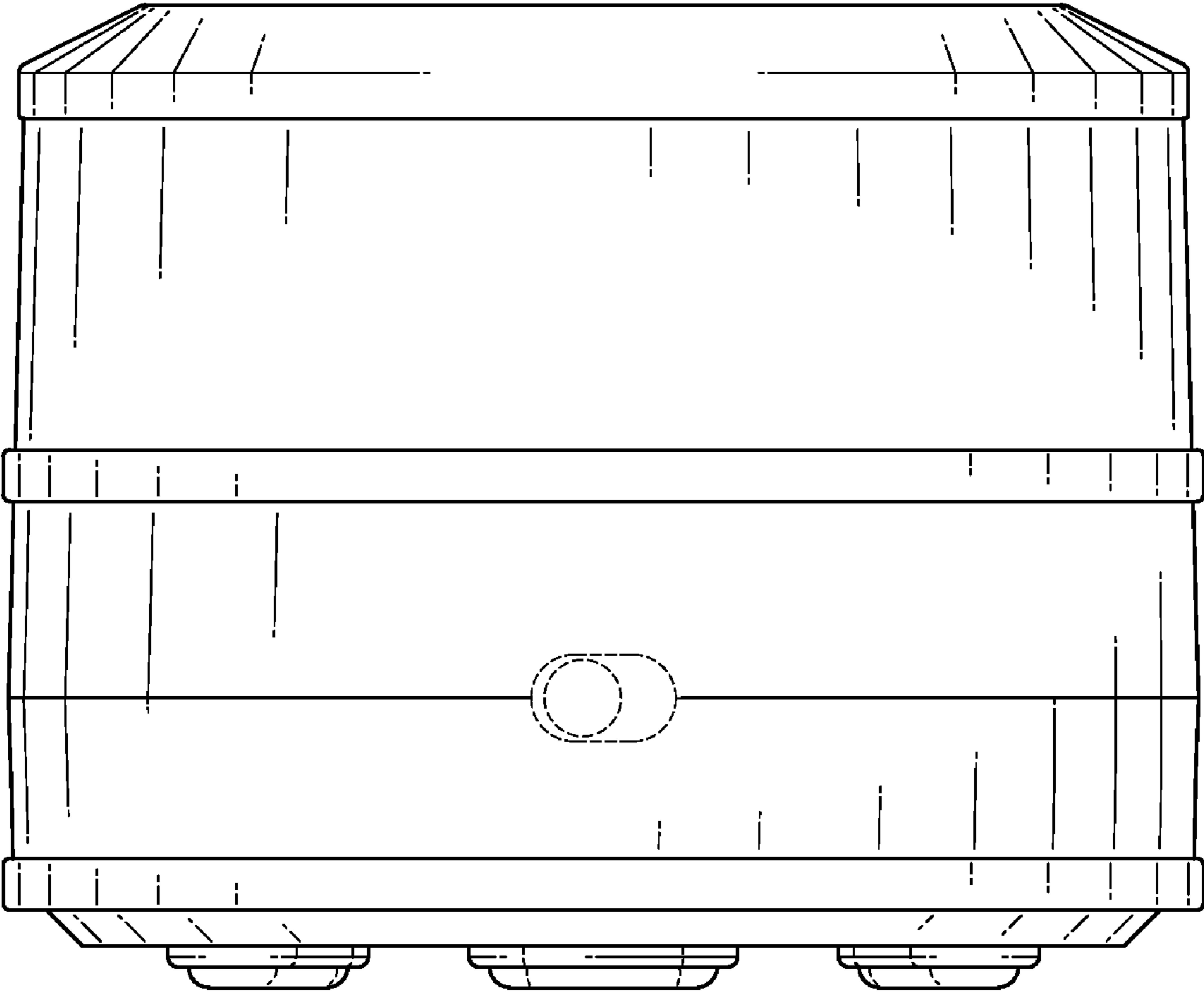


FIG. 9

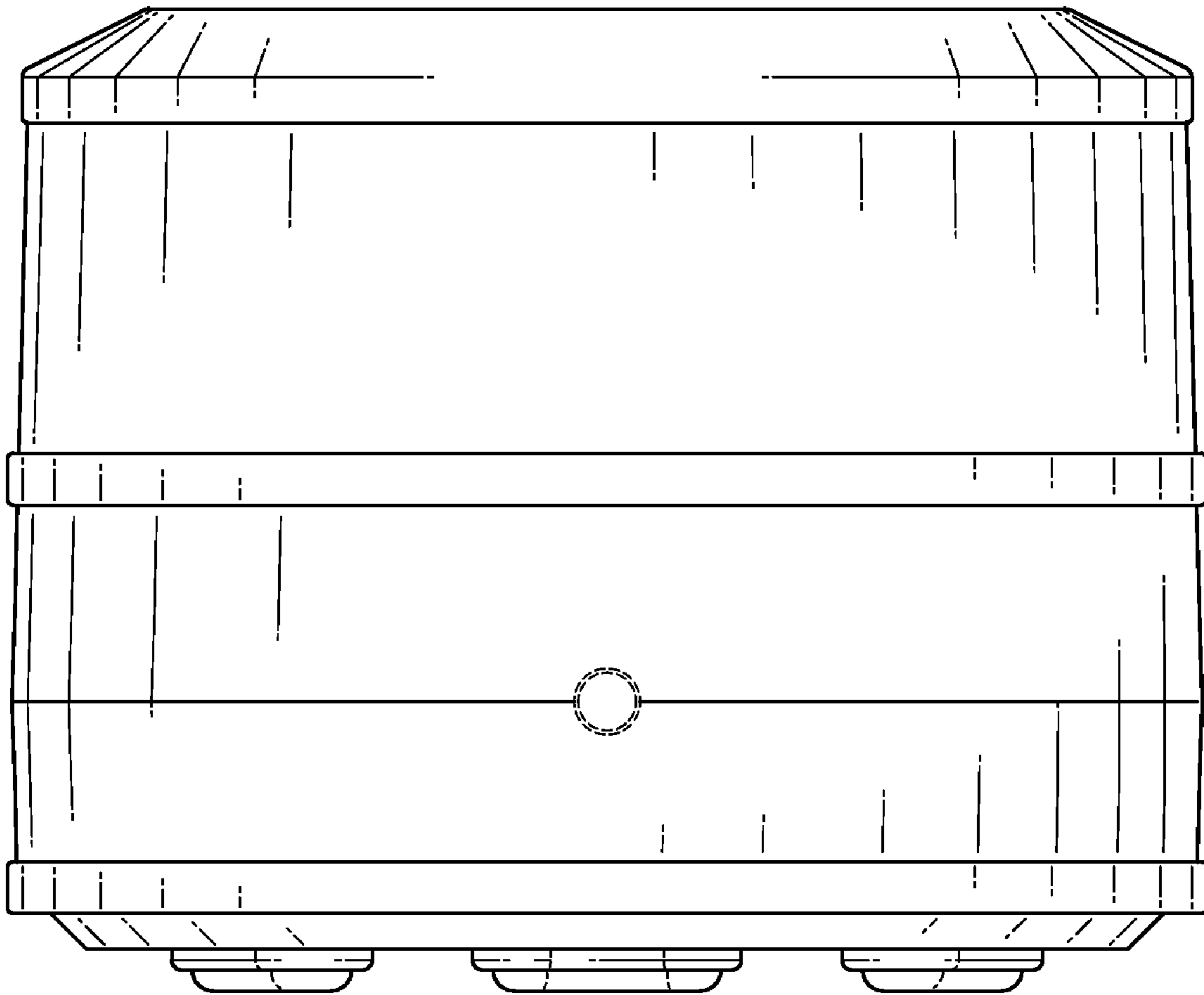


FIG.10

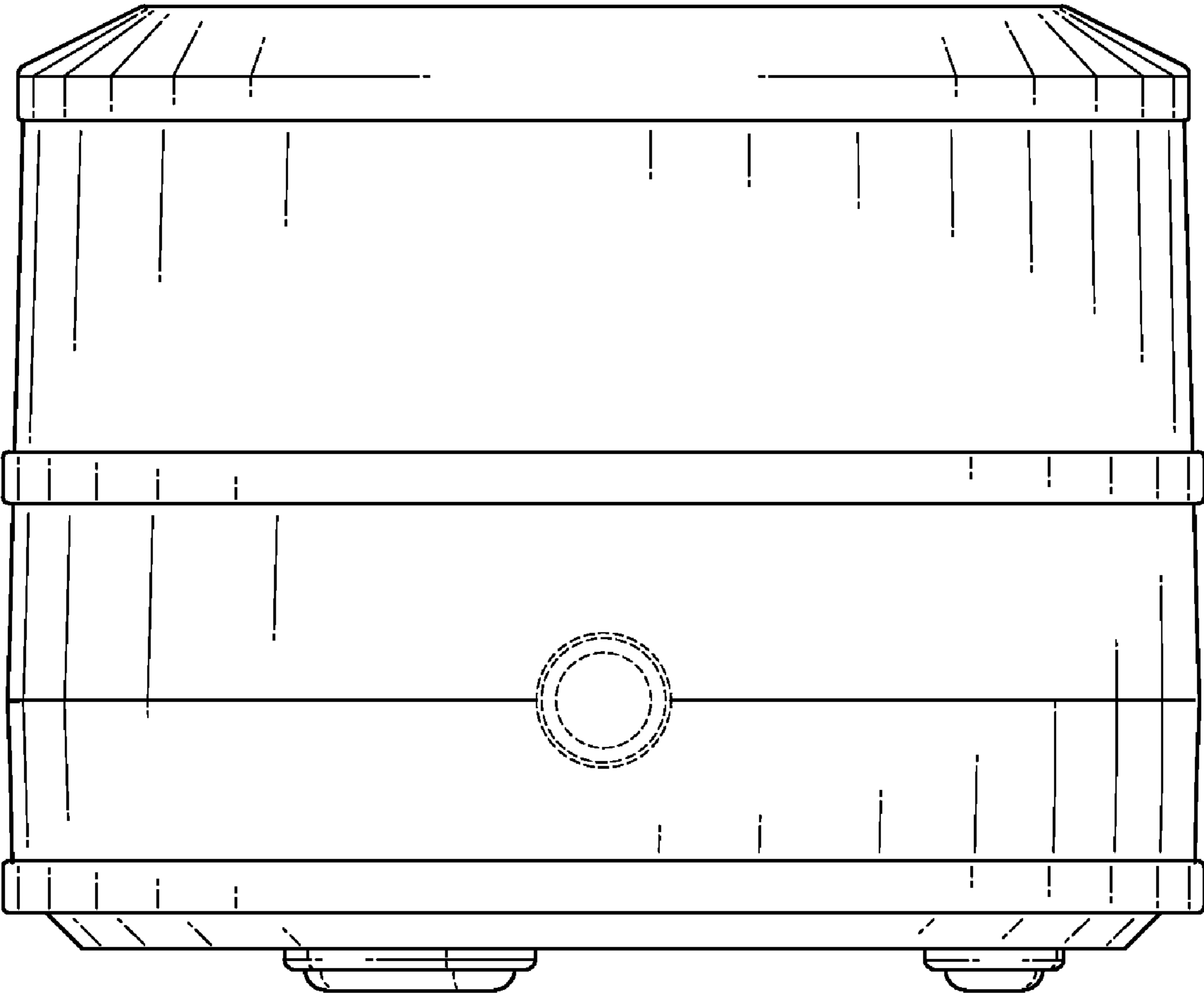


FIG. 11

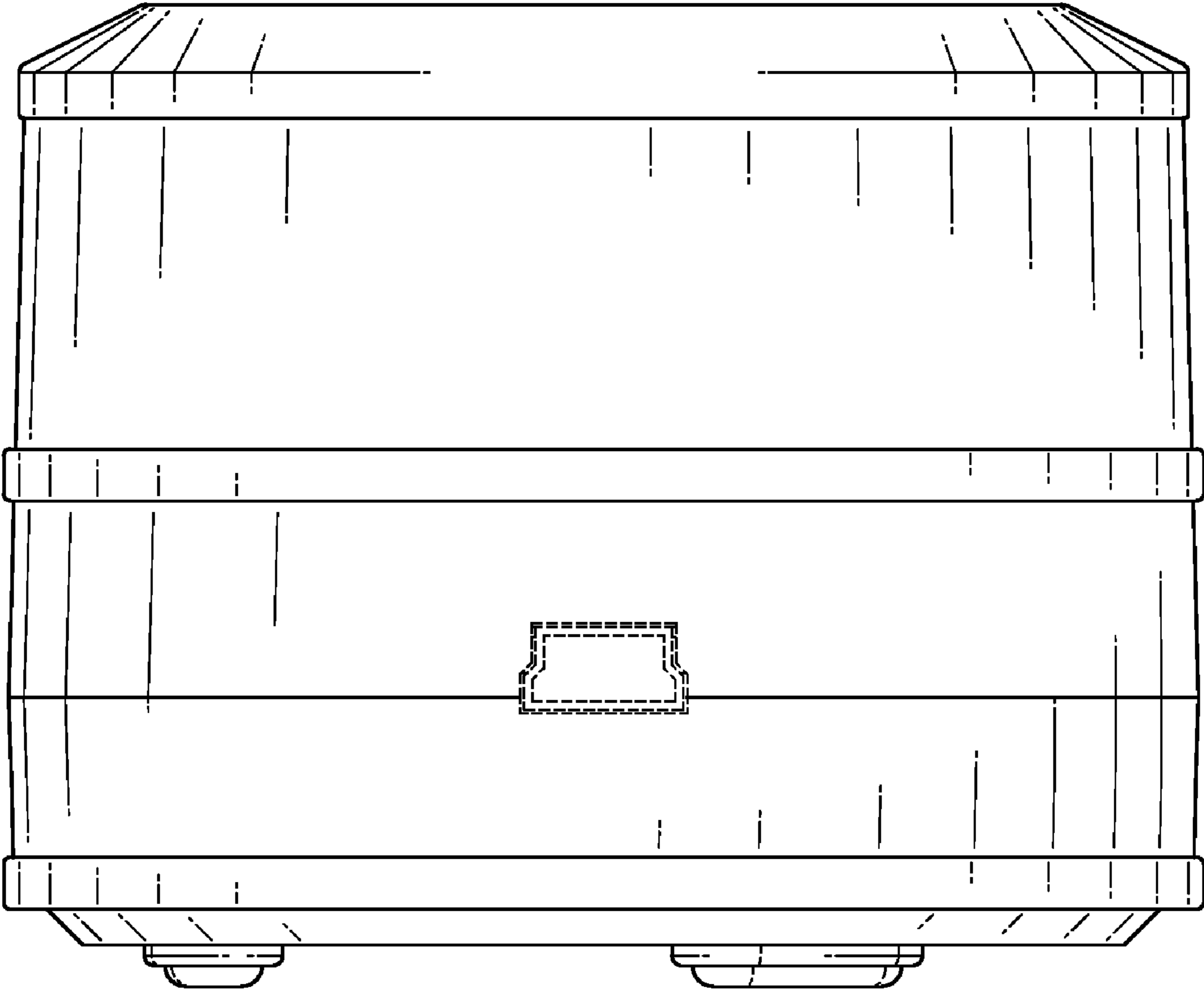


FIG. 12