



US00D620477S

(12) **United States Design Patent**
Hou

(10) **Patent No.:** **US D620,477 S**
(45) **Date of Patent:** **** Jul. 27, 2010**

(54) **HANDS-FREE SPEAKER**

(75) Inventor: **Hsiang-Fei Hou**, Tu-Cheng (TW)

(73) Assignee: **Cheng Uei Precision Industry Co., Ltd.**, Tu-Cheng, Taipei Hsien (TW)

(**) Term: **14 Years**

(21) Appl. No.: **29/350,697**

(22) Filed: **Nov. 20, 2009**

(51) **LOC (9) Cl.** **14-01**

(52) **U.S. Cl.** **D14/214; D14/192**

(58) **Field of Classification Search** D14/204,
D14/210–216, 172, 191–192; 181/143–144,
181/147–148, 150–153, 157, 198–199; 381/300–303,
381/306, 332–333, 336, 345, 361–364, 386–388;
D3/218

See application file for complete search history.

(56) **References Cited**

U.S. PATENT DOCUMENTS

D352,034 S	*	11/1994	Scheid et al.	D14/191
D554,616 S	*	11/2007	Pierce	D14/191
D573,136 S	*	7/2008	Lee et al.	D14/217
D589,938 S	*	4/2009	Schlangen et al.	D14/214

* cited by examiner

Primary Examiner—Nanda Bondade

(74) *Attorney, Agent, or Firm*—Cheng-Ju Chiang

(57) **CLAIM**

The ornamental design for a hands-free speaker, as shown and described.

DESCRIPTION

FIG. 1 is a front perspective view of a hands-free speaker showing my new design;

FIG. 2 is a front elevational view thereof;

FIG. 3 is a rear elevational view thereof;

FIG. 4 is a left side elevational view thereof;

FIG. 5 is a right side elevational view thereof;

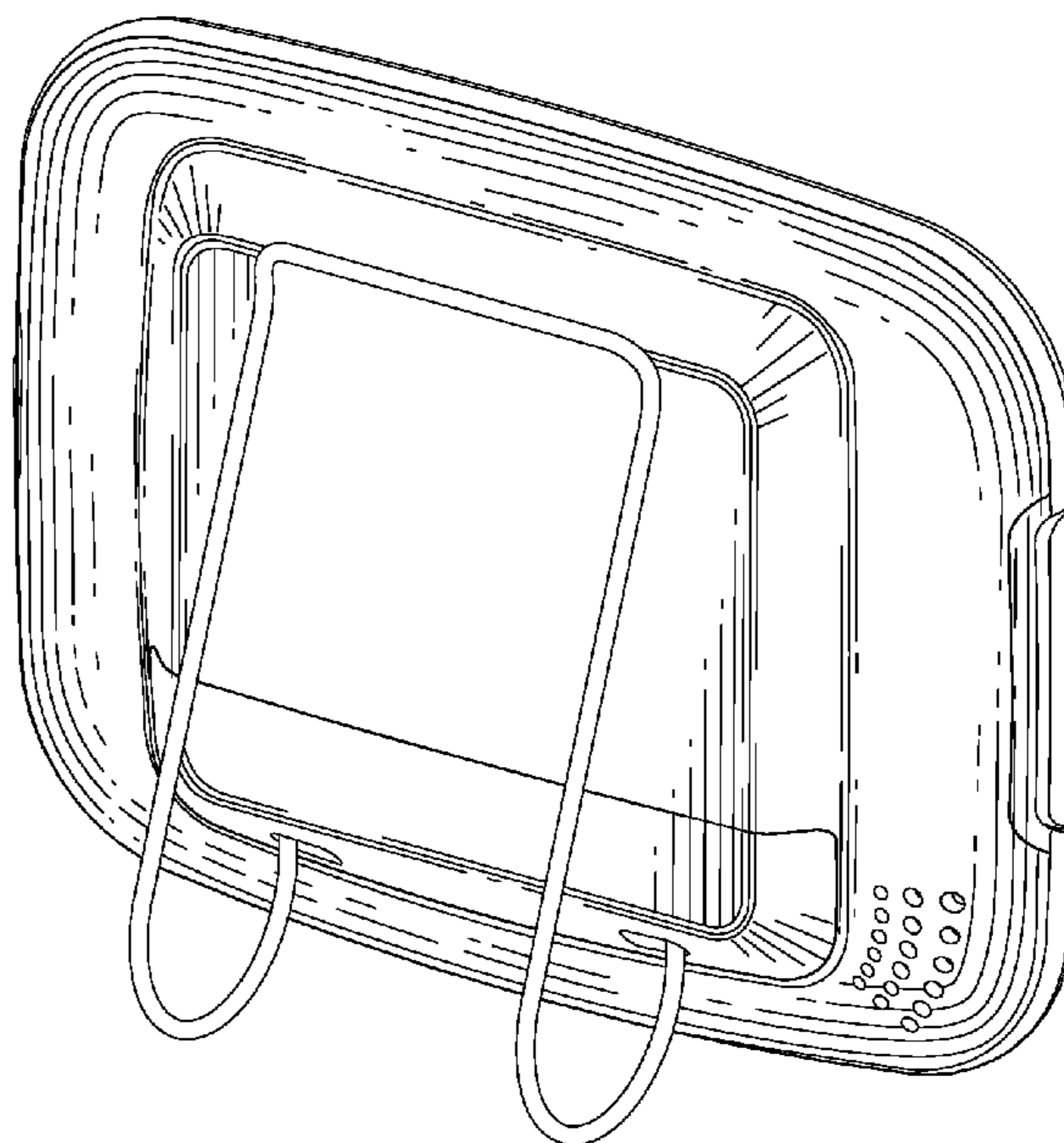
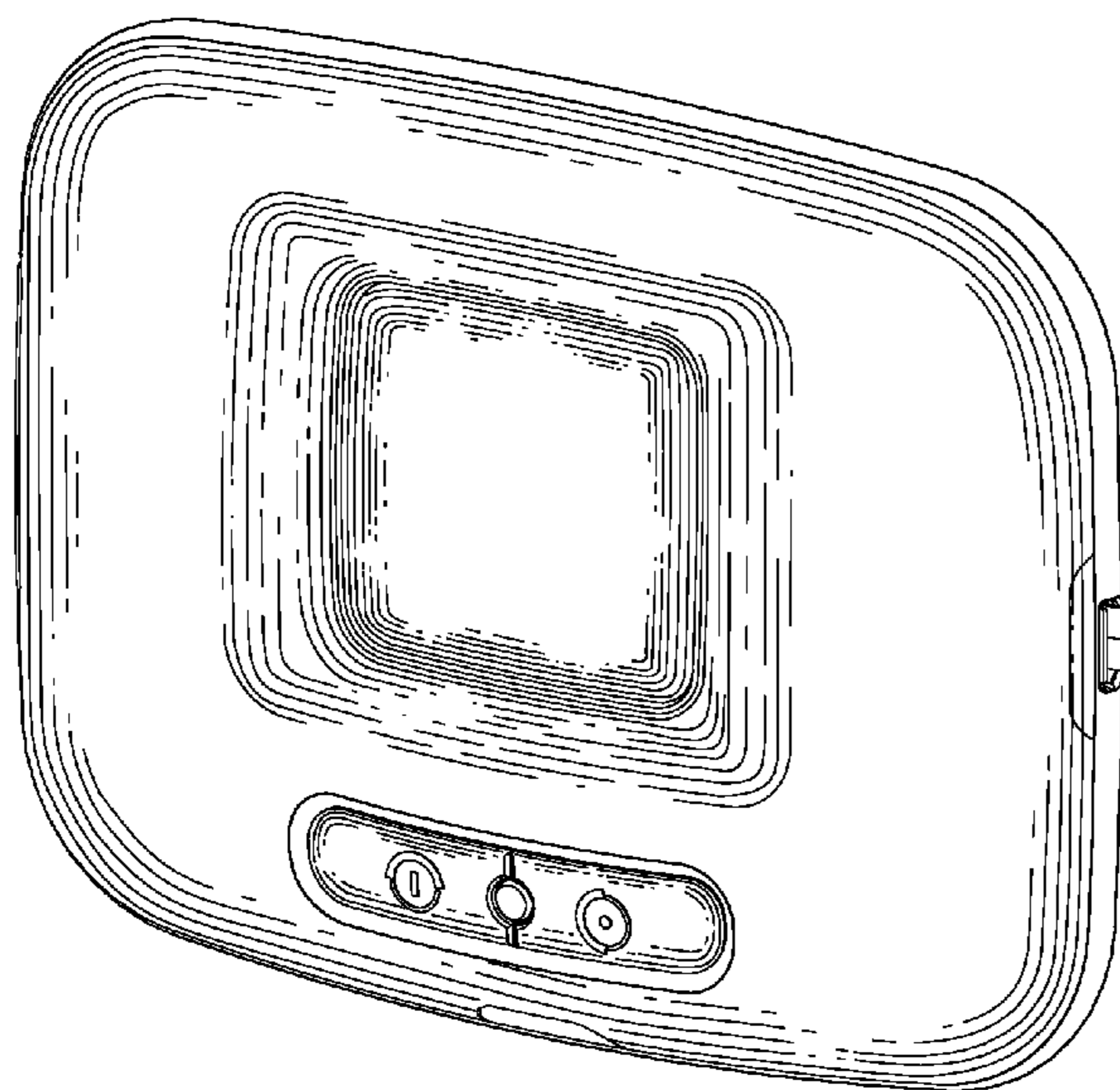
FIG. 6 is a top plan view thereof;

FIG. 7 is a bottom plan view thereof; and,

FIG. 8 is another rear perspective view thereof.

The broken line showing on the drawing disclosure is for illustrative purposes only and forms no part of the claimed design.

1 Claim, 8 Drawing Sheets



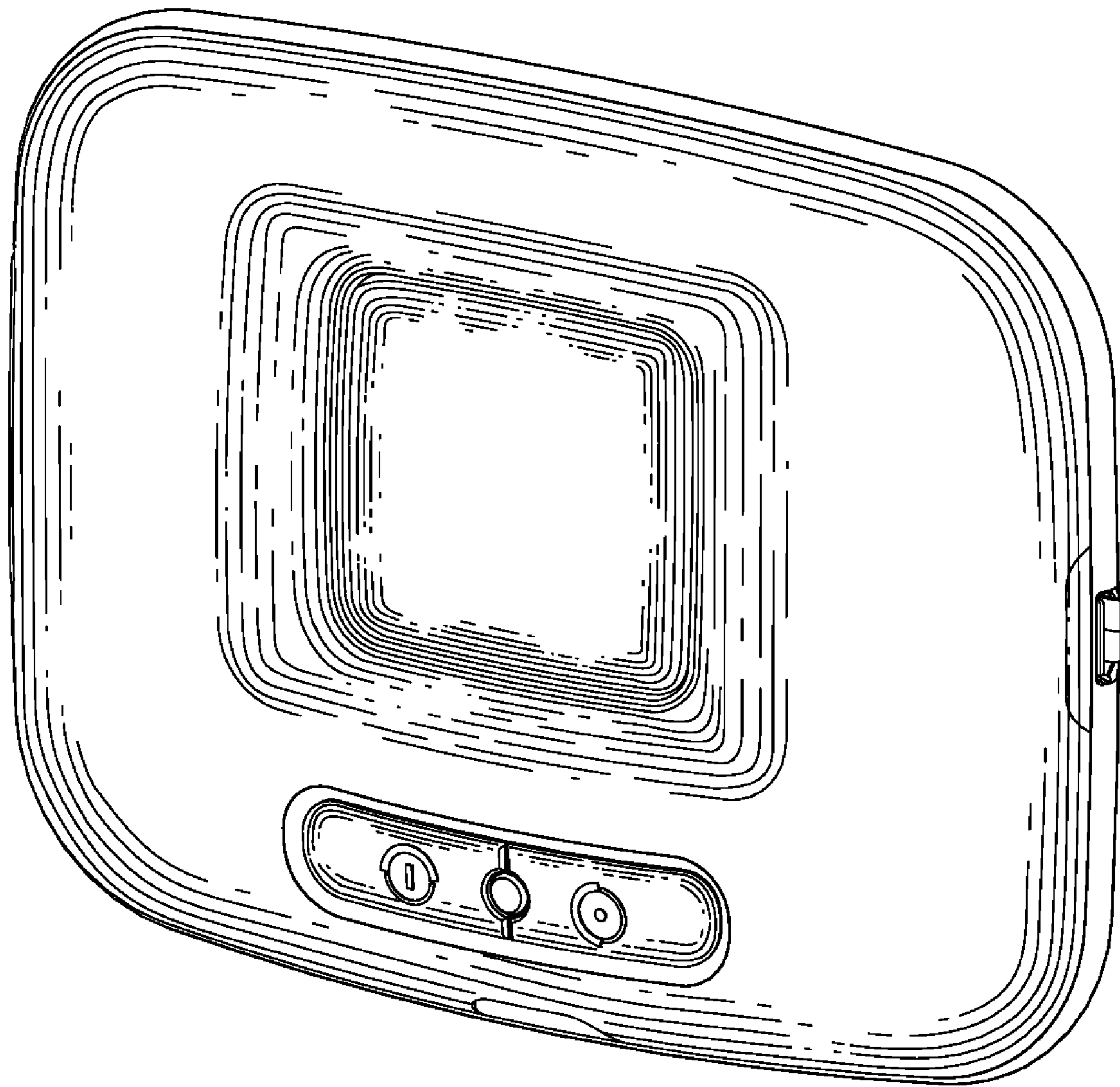


FIG. 1

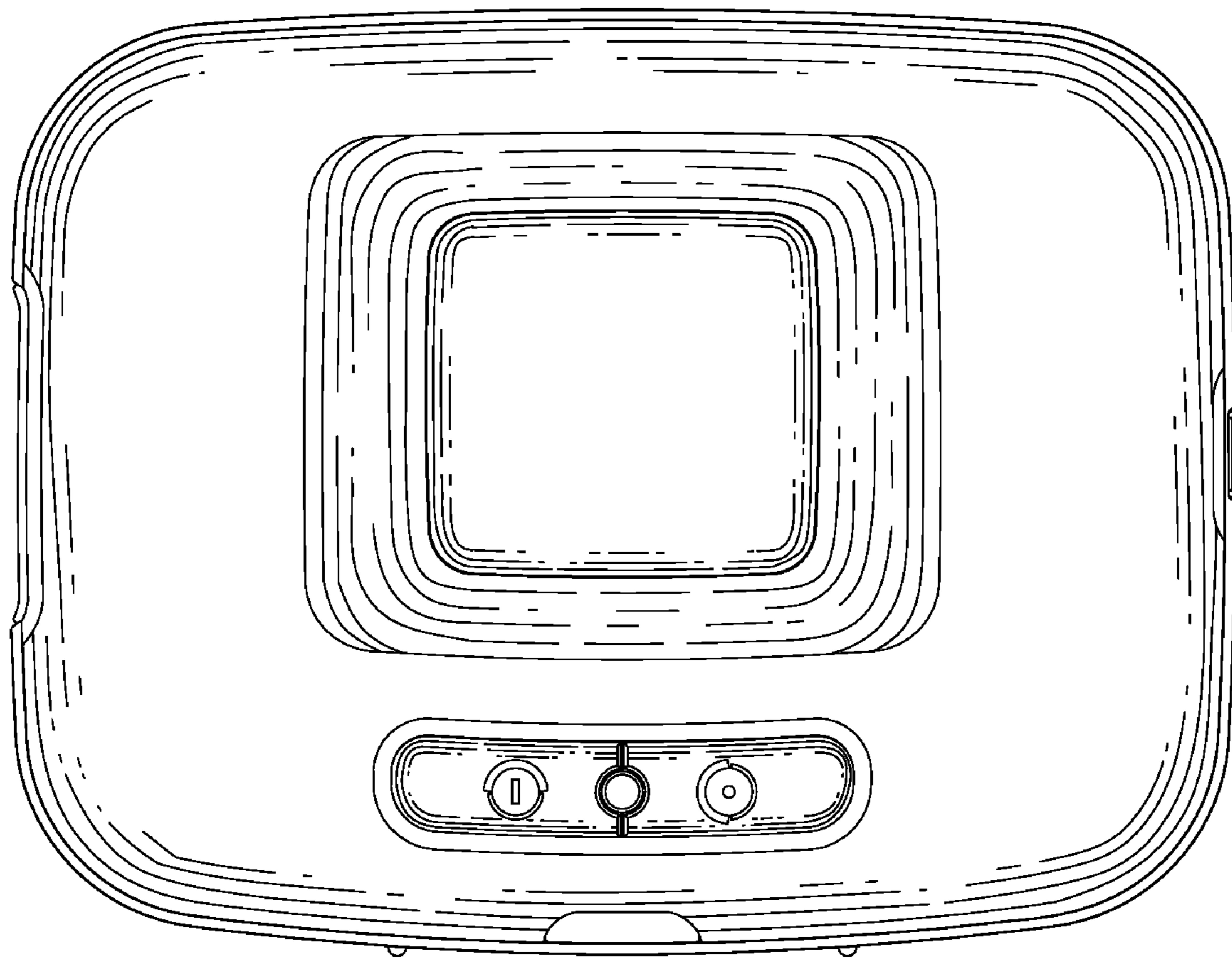


FIG. 2

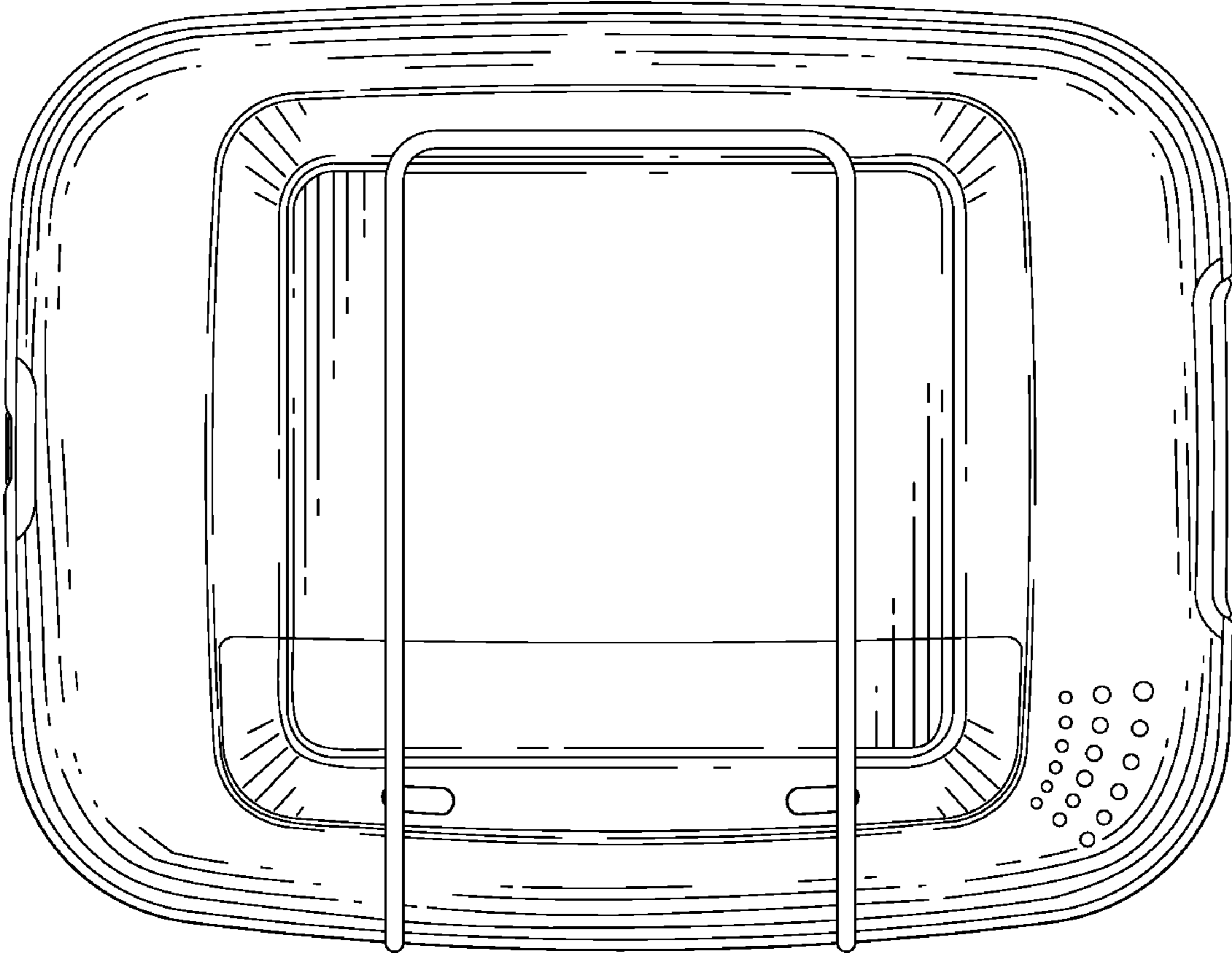


FIG. 3

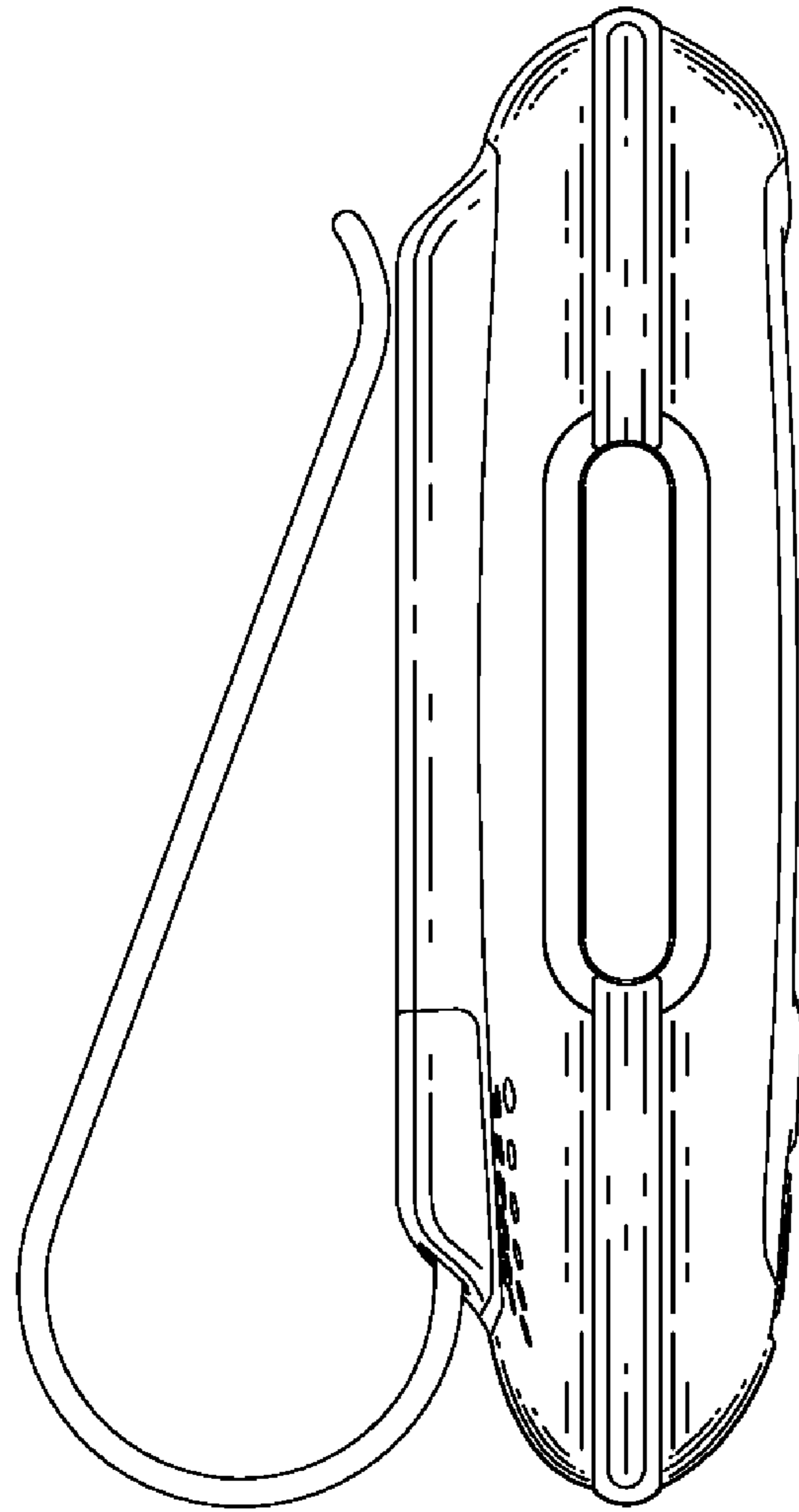


FIG. 4

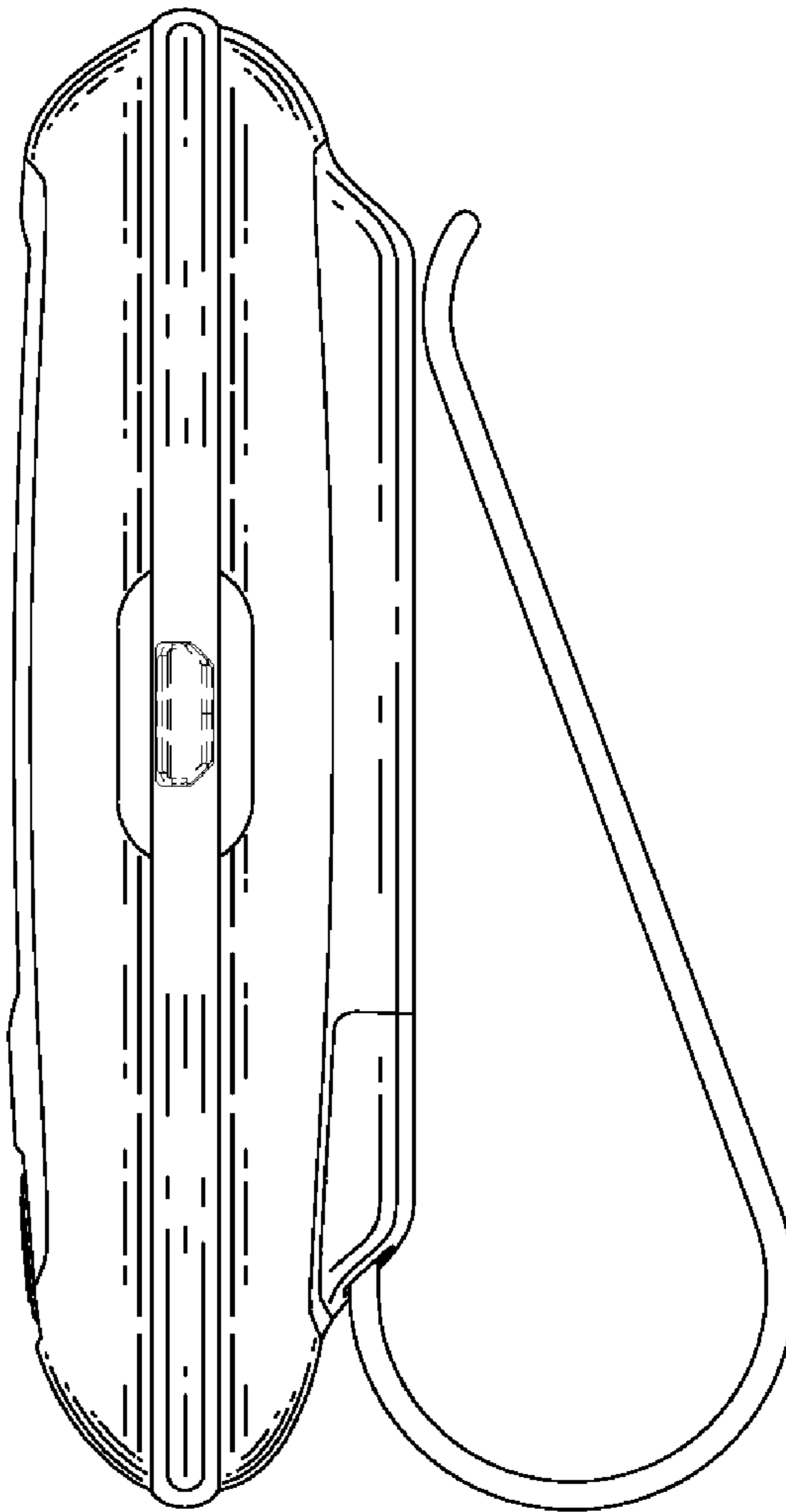


FIG. 5

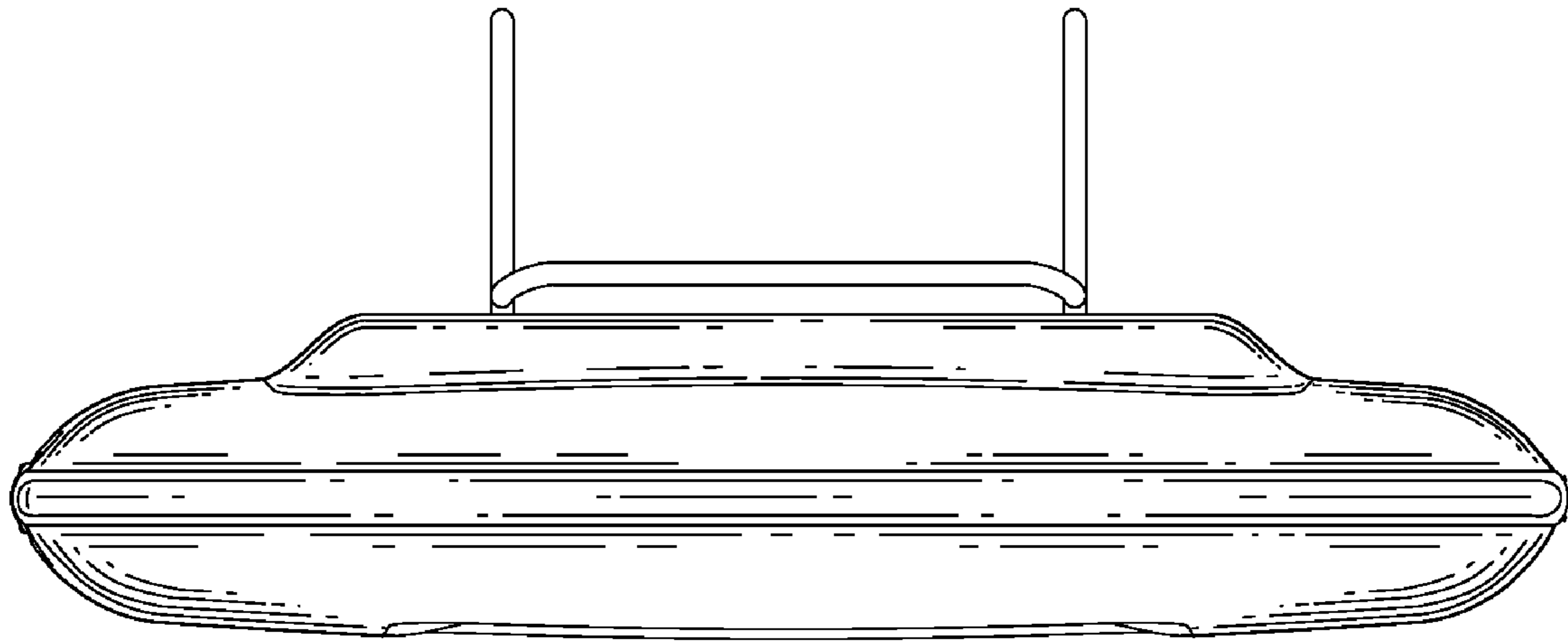


FIG. 6

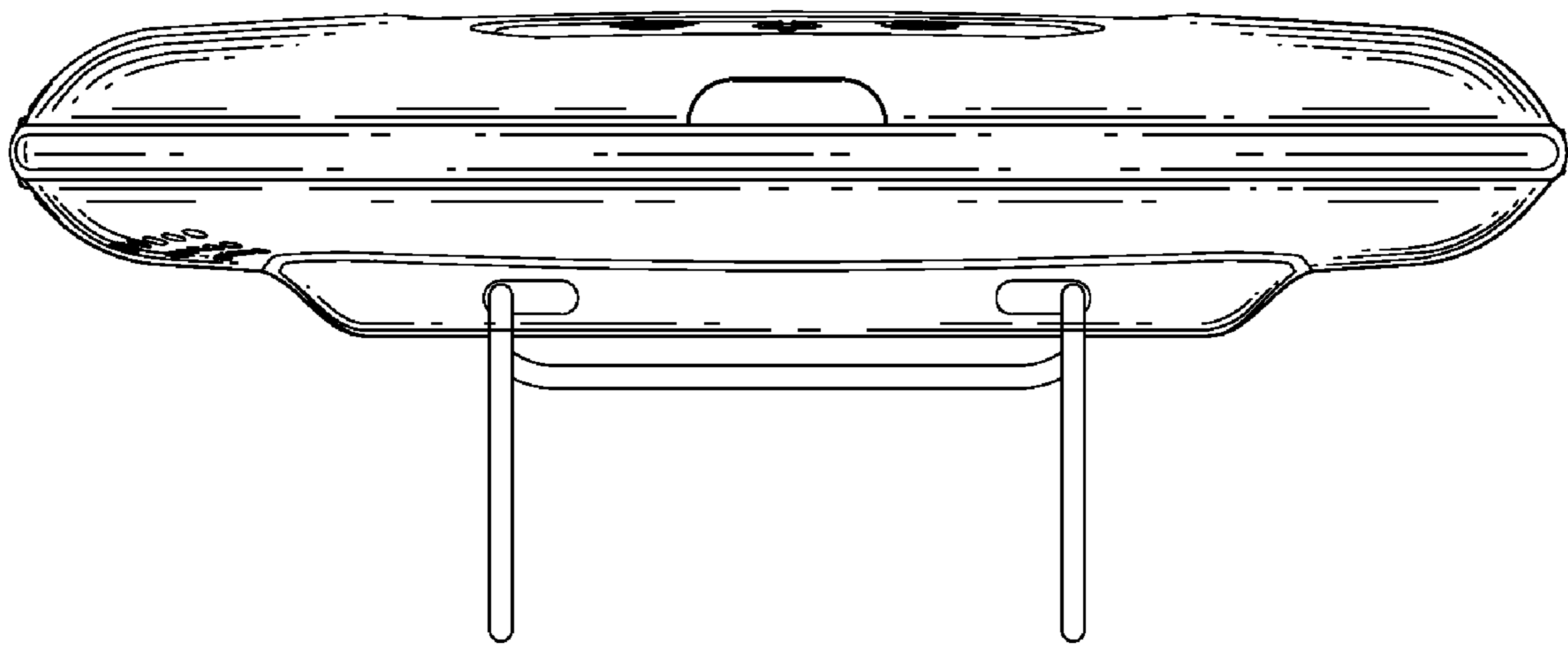


FIG. 7

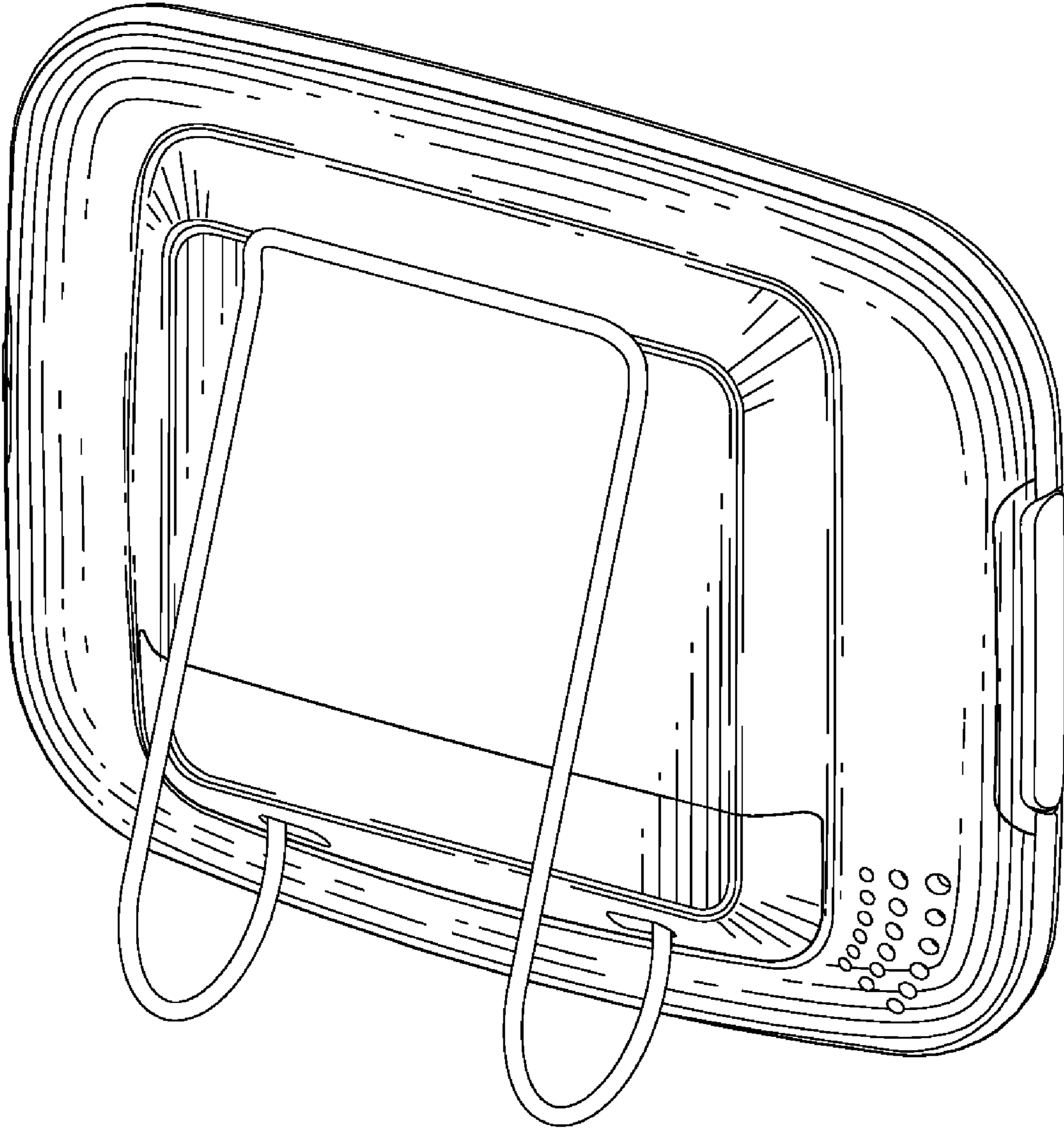


FIG. 8