



US00D620476S

(12) **United States Design Patent**
Wang et al.

(10) **Patent No.:** **US D620,476 S**

(45) **Date of Patent:** **** *Jul. 27, 2010**

(54) **PORTABLE SPEAKER SYSTEM**

(75) Inventors: **Bowman Wang**, Ben Lomond, CA (US);
Minsung Kwon, San Jose, CA (US)

(73) Assignee: **Altec Lansing, LLC**, Milford, PA (US)

(*) Notice: This patent is subject to a terminal disclaimer.

(**) Term: **14 Years**

(21) Appl. No.: **29/335,707**

(22) Filed: **Apr. 20, 2009**

(51) **LOC (9) Cl.** **14-01**

(52) **U.S. Cl.** **D14/214**

(58) **Field of Classification Search** D14/204,
D14/207, 210–216, 172; 181/143–144, 147–148,
181/150–153, 157, 198–199; 381/300–303,
381/306, 332–333, 336, 345, 361–364, 386–388
See application file for complete search history.

(56) **References Cited**

U.S. PATENT DOCUMENTS

D317,919 S * 7/1991 Kawanabe D14/210
D418,138 S * 12/1999 Miyazaki D14/214

D440,220 S * 4/2001 Dunk et al. D14/211
D520,494 S * 5/2006 Aiba et al. D14/214
D537,437 S * 2/2007 Yoon D14/215

* cited by examiner

Primary Examiner—Nanda Bondade

(74) *Attorney, Agent, or Firm*—Greenberg Traurig, LLP

(57) **CLAIM**

The ornamental design for a portable speaker system, as shown and described.

DESCRIPTION

FIG. 1 is front-top-left perspective view of a portable speaker system showing our new design;

FIG. 2 is a front view thereof;

FIG. 3 is a back view thereof;

FIG. 4 is a left side view thereof;

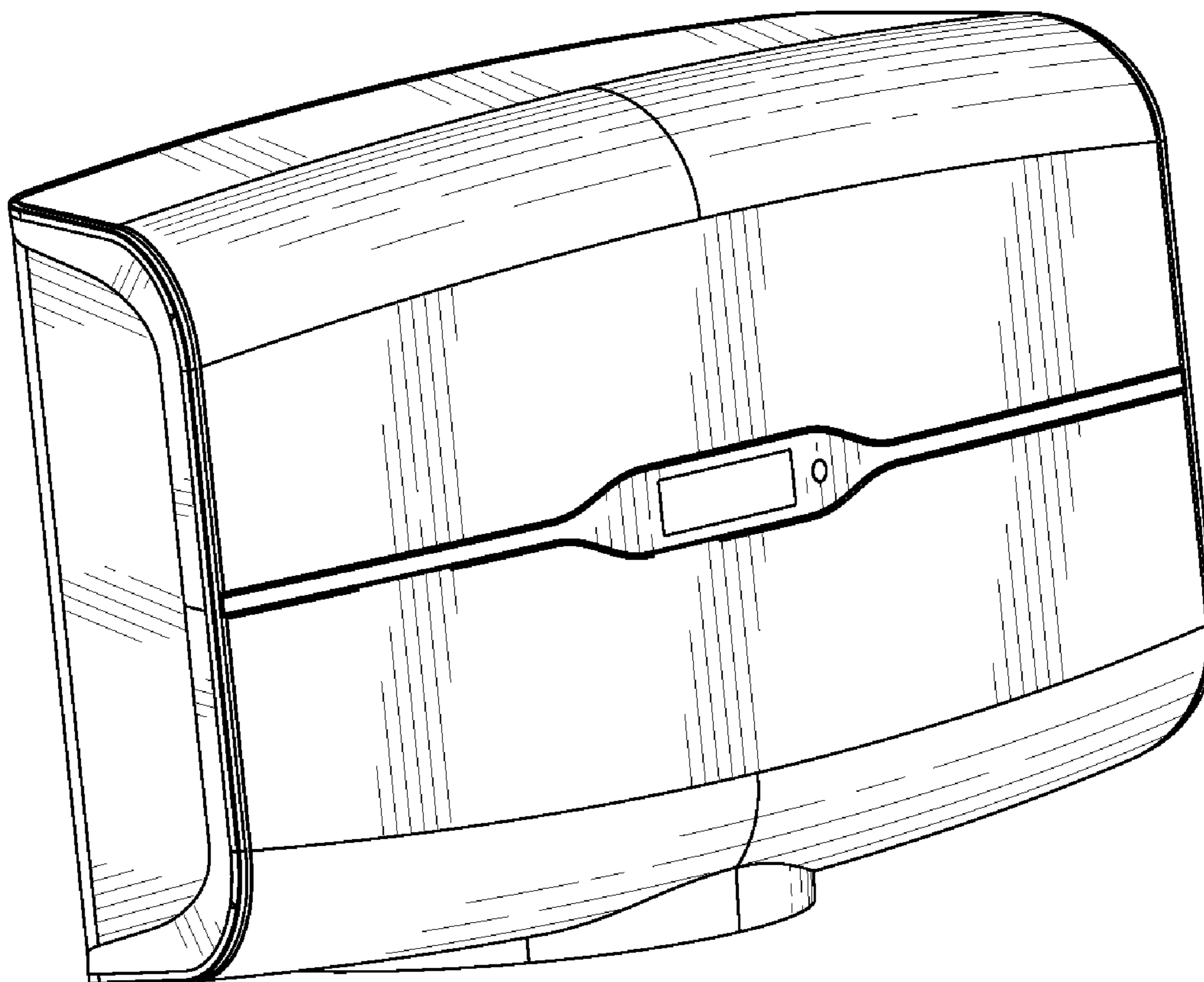
FIG. 5 is a right side view thereof;

FIG. 6 is a top view thereof; and,

FIG. 7 is a bottom view thereof.

The broken lines showing of the unclaimed environment forms no part of the claimed design.

1 Claim, 3 Drawing Sheets



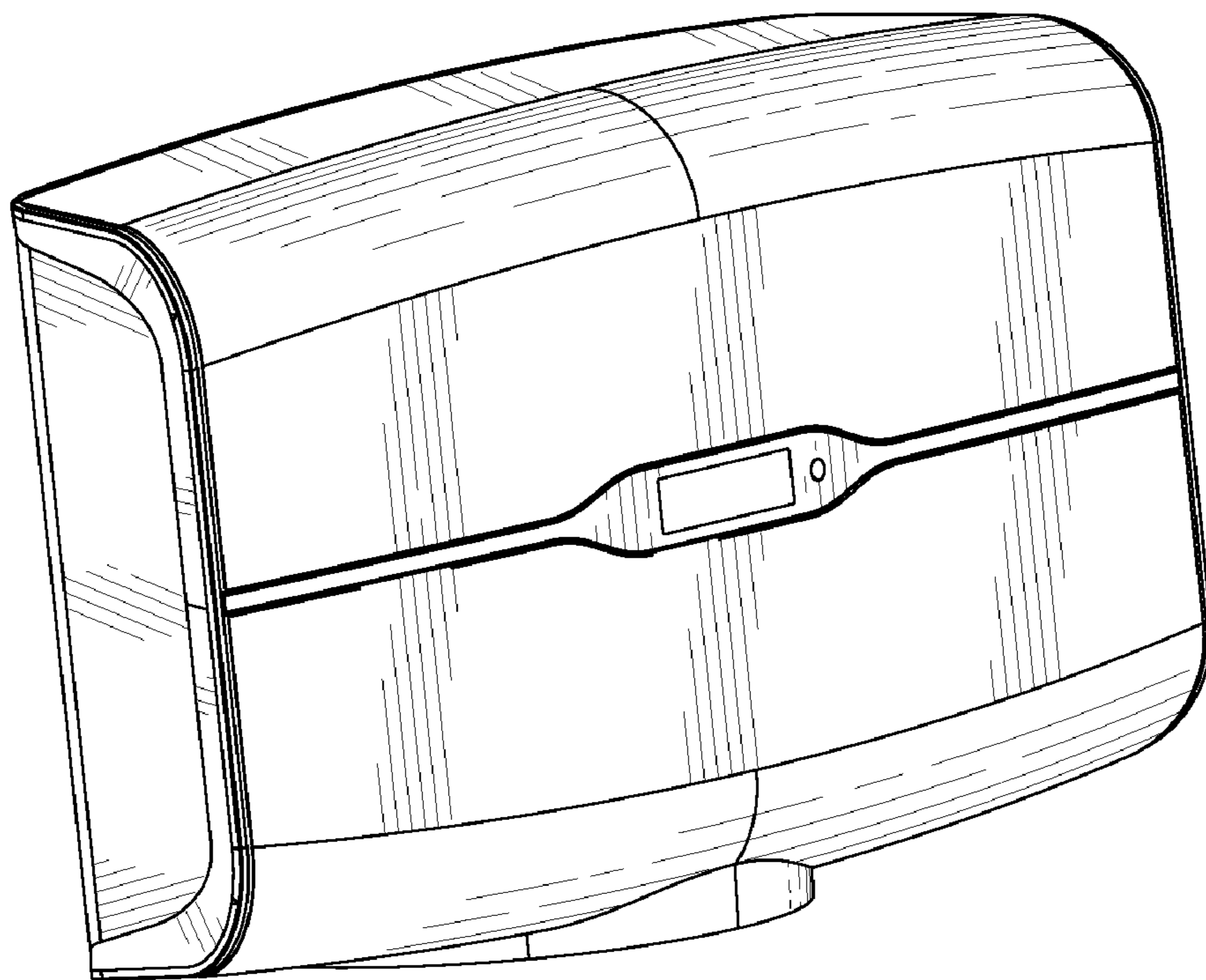


FIG. 1

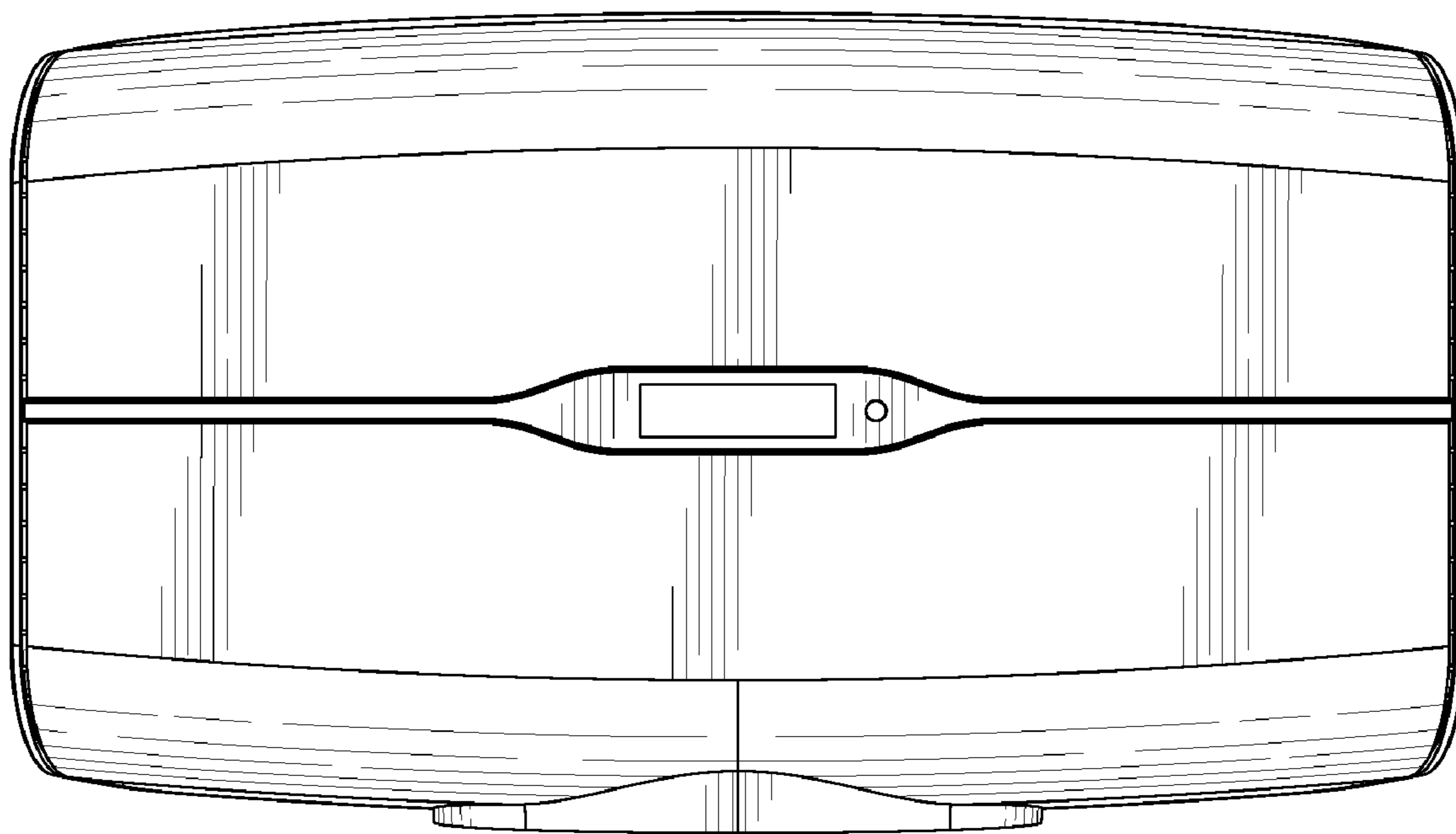


FIG. 2

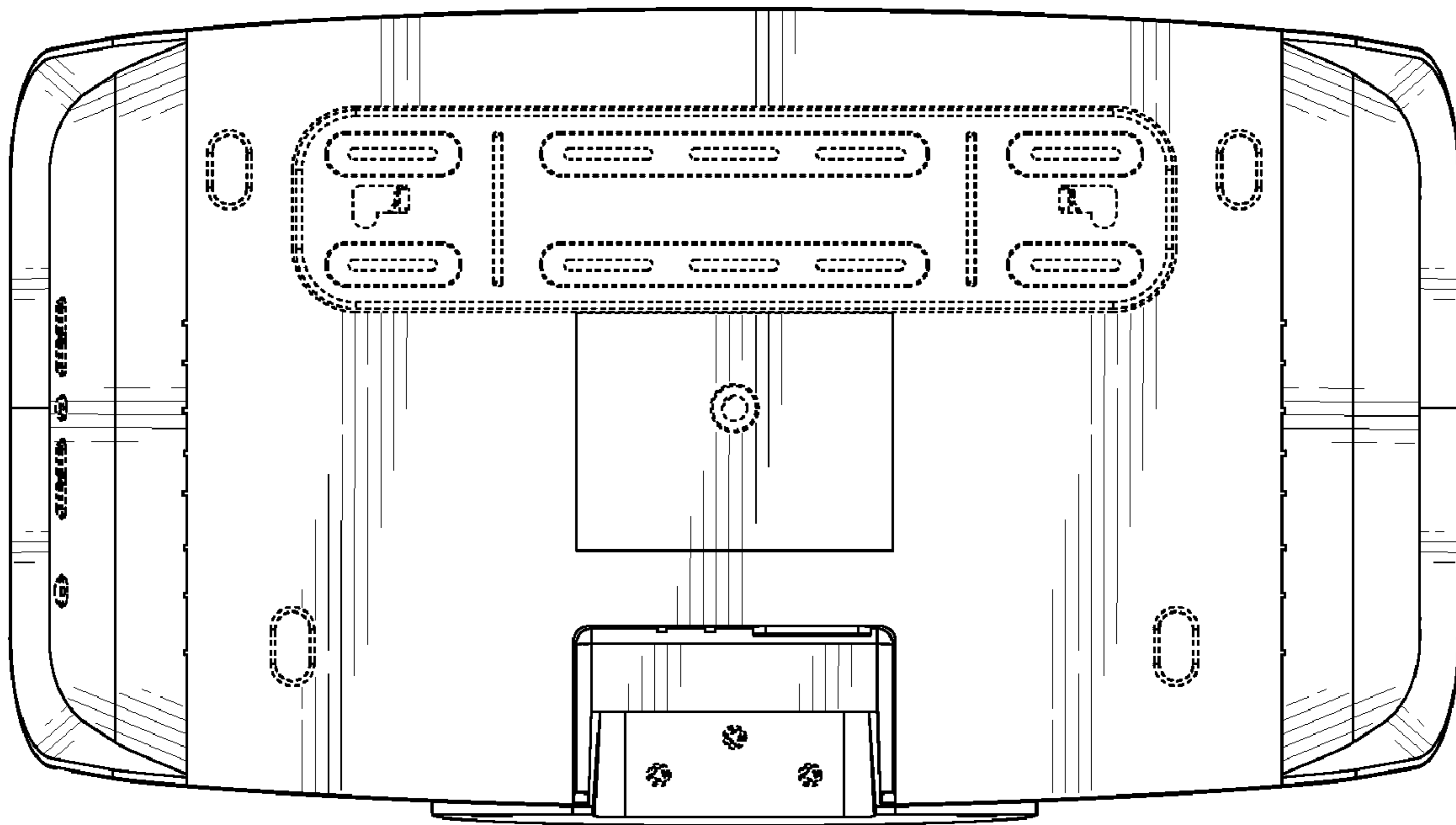


FIG. 3

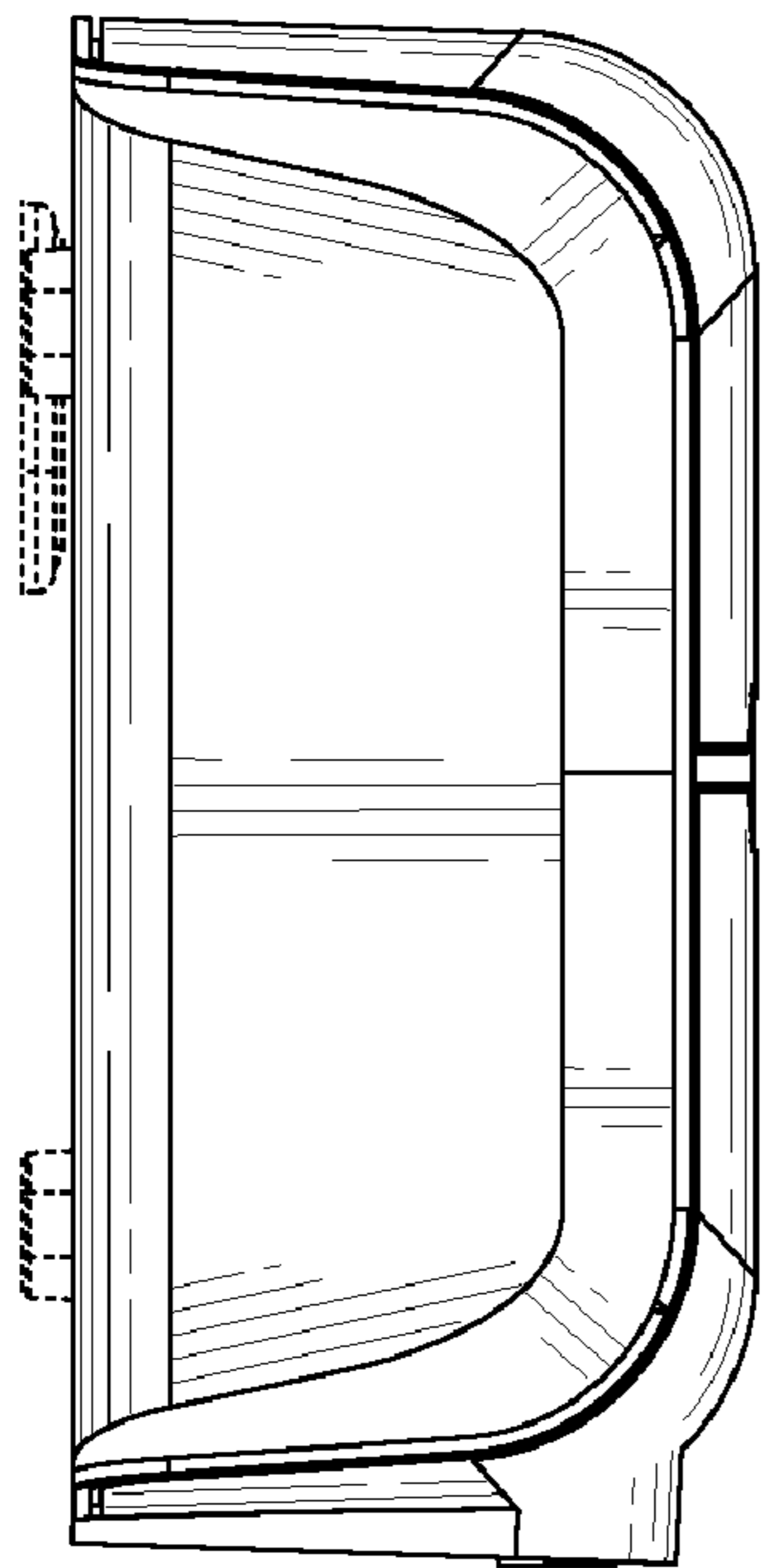


FIG. 4

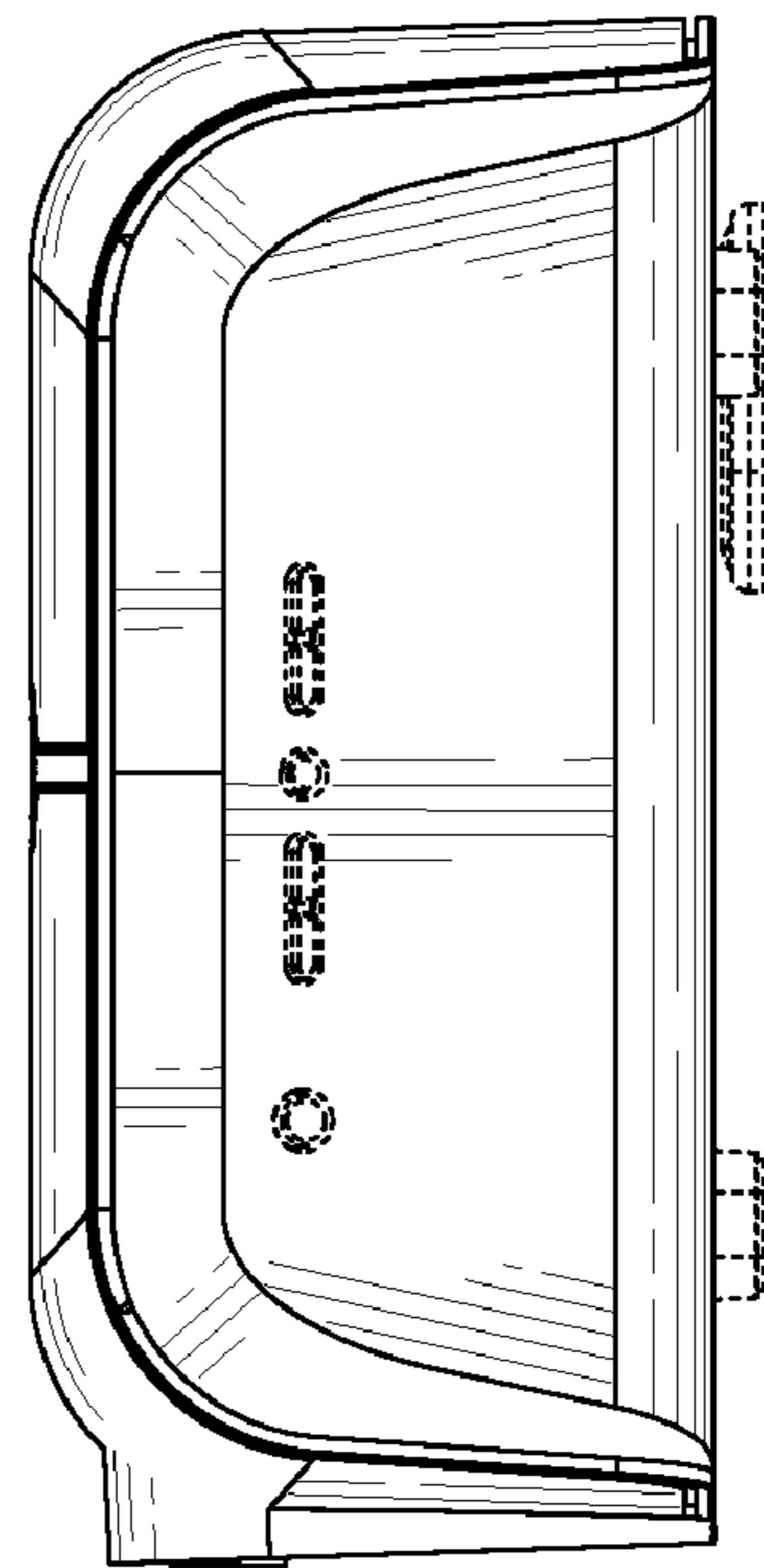


FIG. 5

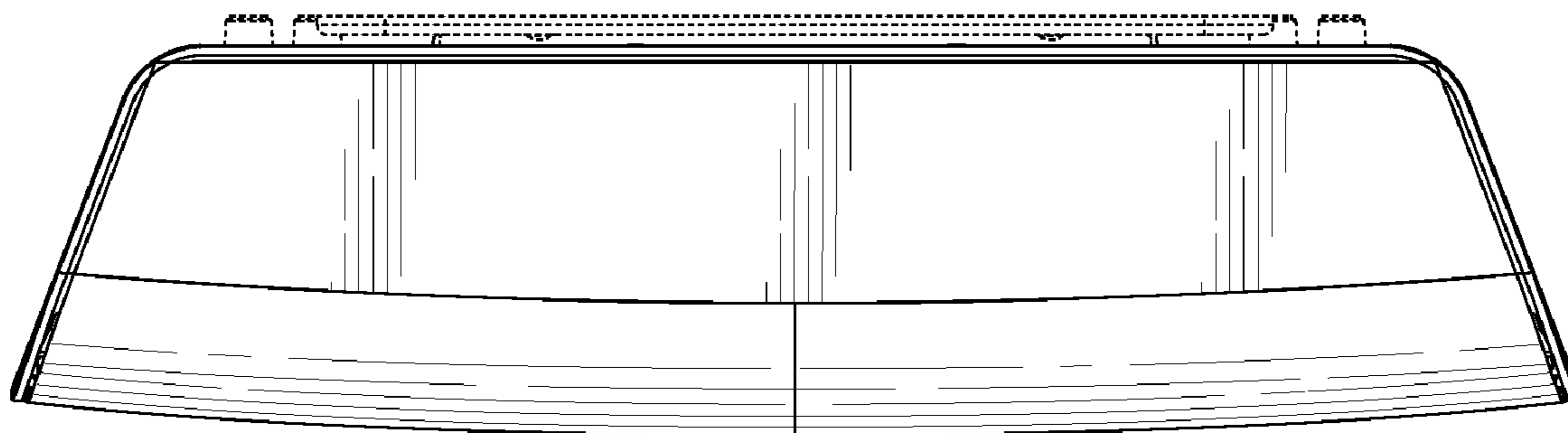


FIG. 6

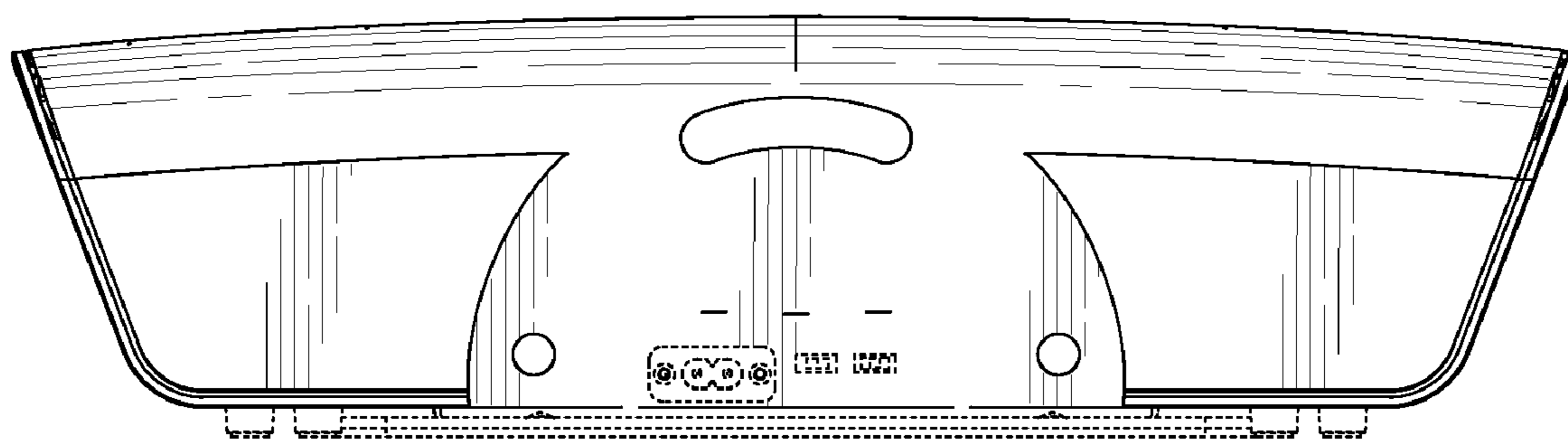


FIG. 7