



US00D620474S

(12) **United States Design Patent**  
**Komiyama**

(10) **Patent No.:** **US D620,474 S**  
(45) **Date of Patent:** **\*\* Jul. 27, 2010**

(54) **HEADPHONE**

(75) Inventor: **Jun Komiyama**, Tokyo (JP)

(73) Assignee: **Sony Corporation**, Tokyo (JP)

(\*\*) Term: **14 Years**

(21) Appl. No.: **29/347,287**

(22) Filed: **Nov. 23, 2009**

**Related U.S. Application Data**

(63) Continuation of application No. 29/311,252, filed on Jan. 30, 2009, now Pat. No. Des. 609,694.

(30) **Foreign Application Priority Data**

Jul. 31, 2008 (JP) ..... D2008-019833  
Jul. 31, 2008 (JP) ..... D2008-019834  
Sep. 24, 2008 (JP) ..... D2008-024408  
Sep. 24, 2008 (JP) ..... D2008-024410

(51) **LOC (9) Cl.** ..... **14-01**

(52) **U.S. Cl.** ..... **D14/205**

(58) **Field of Classification Search** ..... D14/205,  
D14/206, 223; D29/112; 2/209, 905; 379/430,  
379/431, 433; 181/129, 130; 381/370, 375,  
381/376, 377, 378, 379, 380, 381; 128/866,  
128/868

See application file for complete search history.

(56) **References Cited**

**U.S. PATENT DOCUMENTS**

1,555,997 A 10/1925 Lidberg  
1,599,961 A \* 9/1926 Hall et al. .... 181/129  
1,651,623 A 12/1927 Obergfell  
1,699,127 A 1/1929 Wacker  
2,149,341 A 3/1939 Harrison  
2,474,386 A 6/1949 Volkmann  
2,754,519 A \* 7/1956 Kindel ..... 2/209  
2,858,544 A 11/1958 Roth  
3,192,326 A 6/1965 Chapman  
3,272,926 A 9/1966 Falkenberg  
3,562,816 A 2/1971 Hutchinson

3,644,939 A 2/1972 Beguin  
D229,833 S \* 1/1974 Becker ..... D14/205  
D244,213 S 5/1977 Besasie  
D266,244 S 9/1982 Hofer et al.  
4,437,538 A 3/1984 Ohlsson et al.  
4,445,005 A 4/1984 Furuhashi  
4,471,496 A 9/1984 Gardner, Jr. et al.  
4,538,034 A 8/1985 French  
4,571,746 A 2/1986 Gorike  
4,856,118 A 8/1989 Sapiejewski  
5,293,647 A 3/1994 Mirmilshteyn et al.  
D369,604 S 5/1996 Morimiya  
5,551,090 A 9/1996 Thompson  
D381,336 S \* 7/1997 Bungardt et al. .... D14/205  
D431,550 S 10/2000 Yoneda  
D444,140 S 6/2001 Ishibashi  
6,392,196 B1 \* 5/2002 Lin ..... 219/211  
D467,580 S 12/2002 Mori

(Continued)

*Primary Examiner*—Paula Greene

(74) *Attorney, Agent, or Firm*—Rader, Fishman & Grauer PLLC

(57) **CLAIM**

The ornamental design for a headphone, as shown and described.

**DESCRIPTION**

FIG. 1 is a perspective view of a headphone showing my new design, wherein the interior portion of an ear cup of the headphone is a mirror image of the interior portion of the other ear cup;

FIG. 2 is a front elevational view thereof;

FIG. 3 is a rear elevational view thereof;

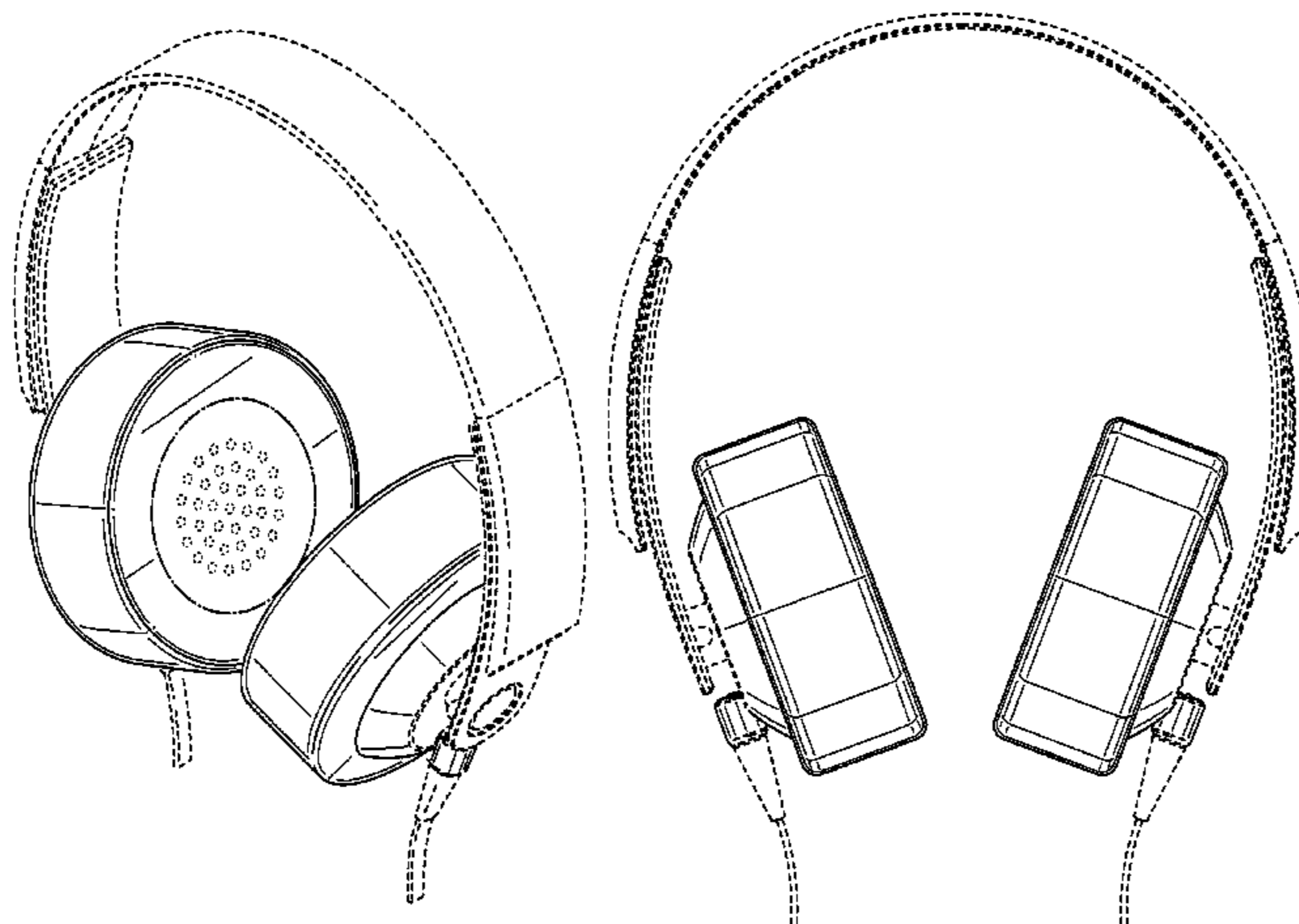
FIG. 4 is a top plan view thereof;

FIG. 5 is a bottom plan view thereof;

FIG. 6 is a right side elevational view thereof; and,

FIG. 7 is a left side elevational view thereof.

**1 Claim, 7 Drawing Sheets**



# US D620,474 S

Page 2

---

## U.S. PATENT DOCUMENTS

D484,485 S	12/2003	Matsuoka	D582,890 S	12/2008	Koza et al.	
D505,411 S	5/2005	Sakai	D587,683 S	3/2009	Ham et al.	
D517,044 S	3/2006	Koss et al.	D588,100 S	3/2009	Densho et al.	
D518,474 S	4/2006	Suzuki	D589,932 S *	4/2009	Komiyama .....	D14/205
D540,301 S	4/2007	Obata	D609,694 S *	2/2010	Komiyama .....	D14/205

\* cited by examiner

Fig. 1

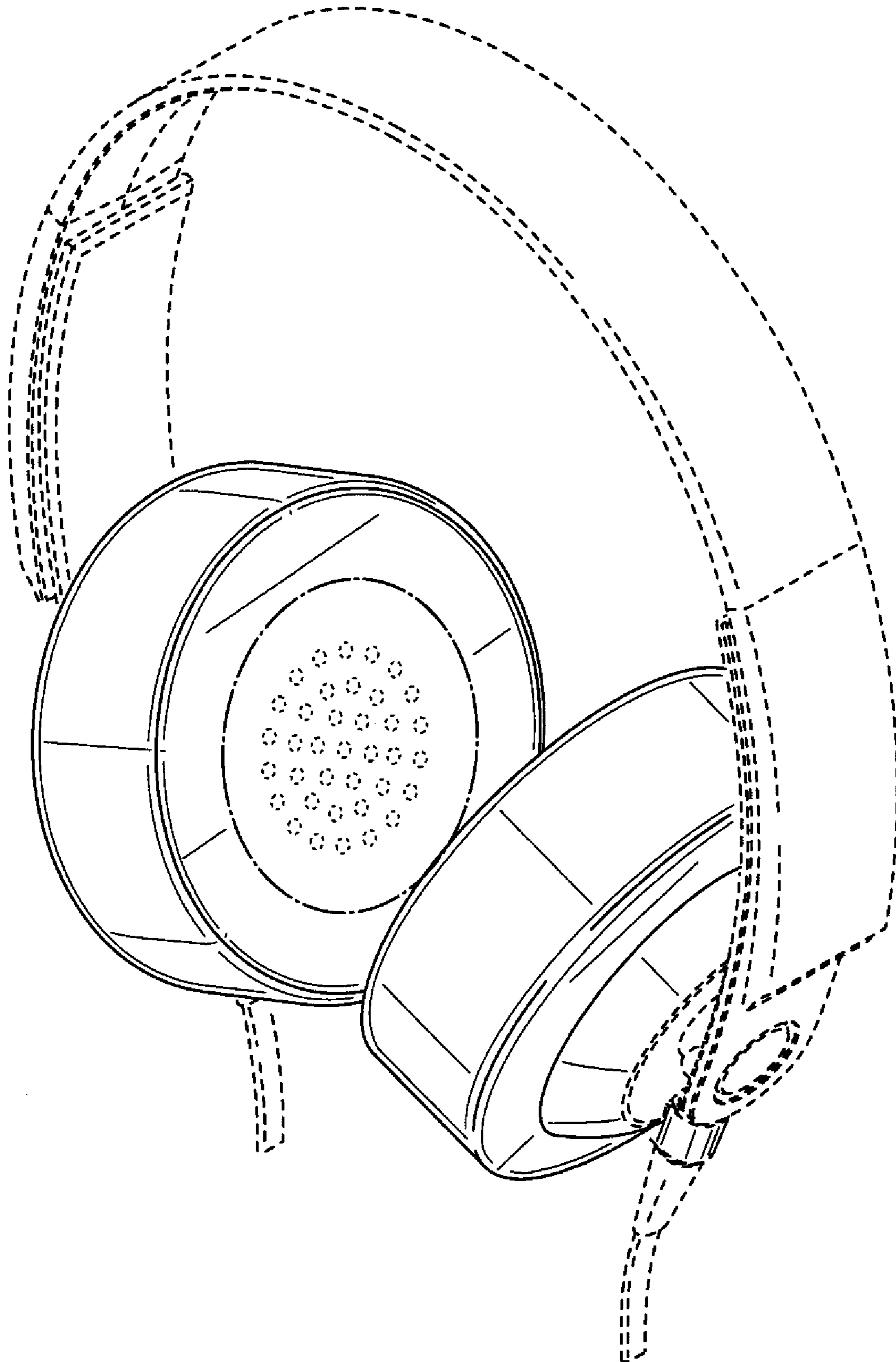


Fig.2

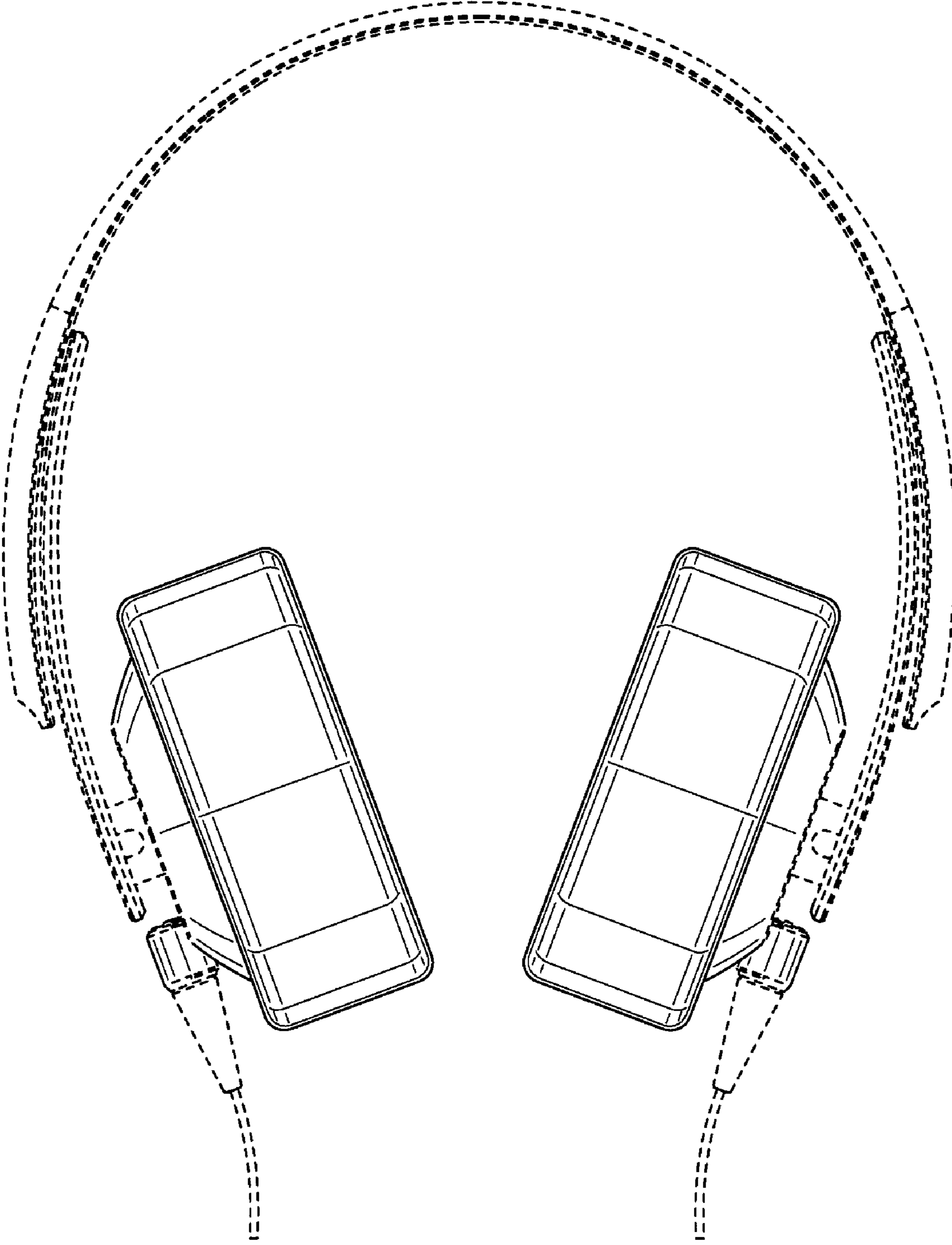


Fig.3

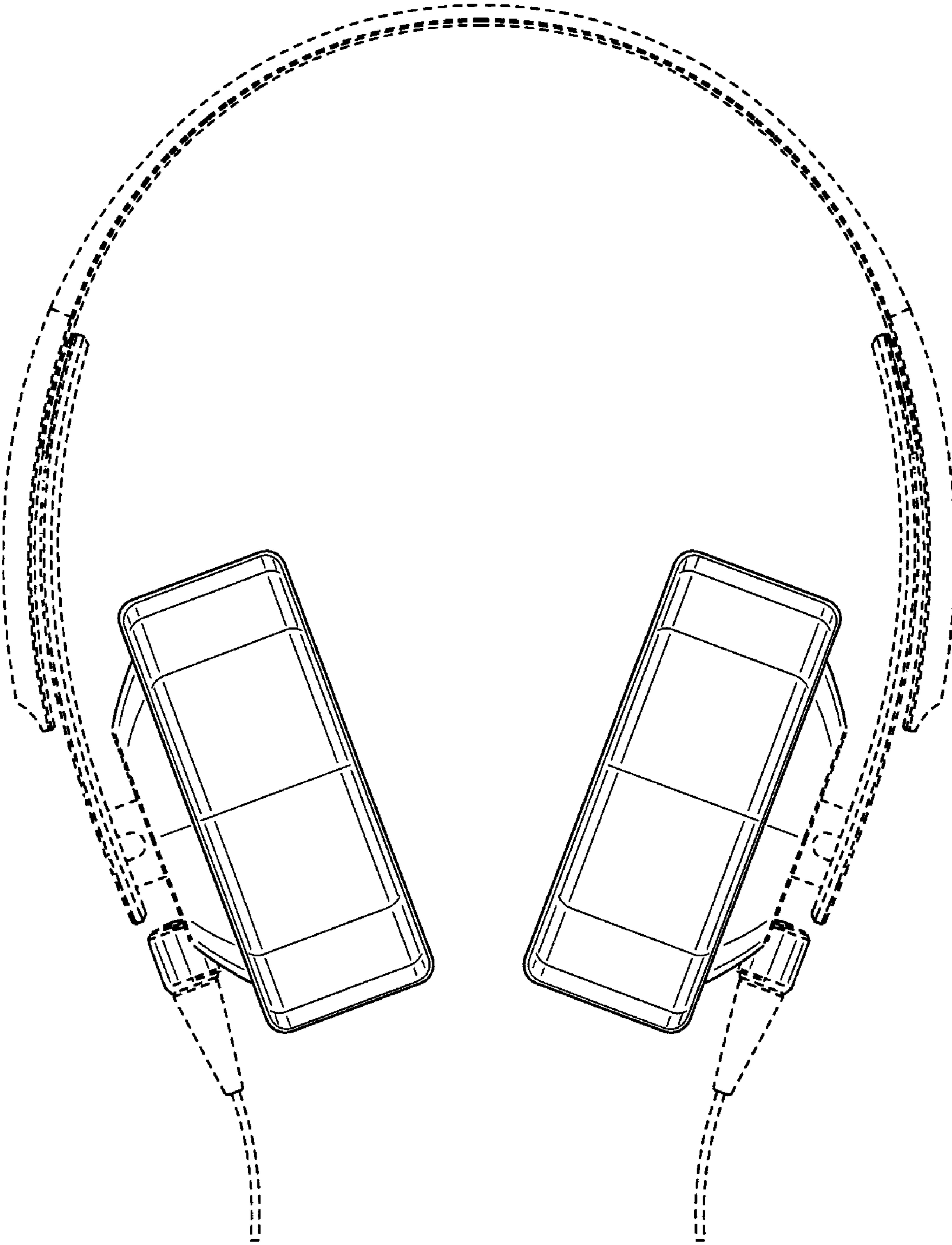


FIG. 4

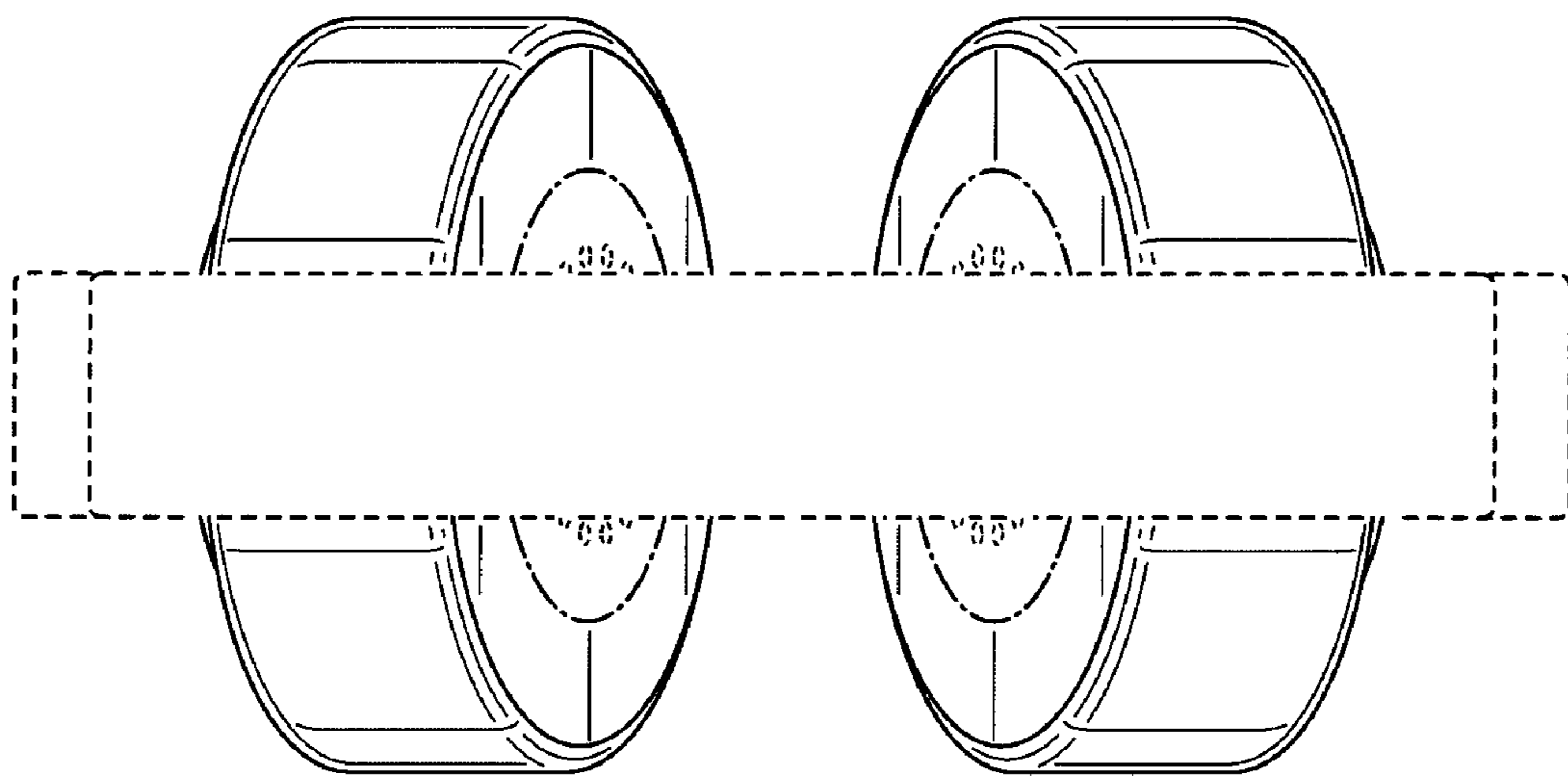


Fig.5

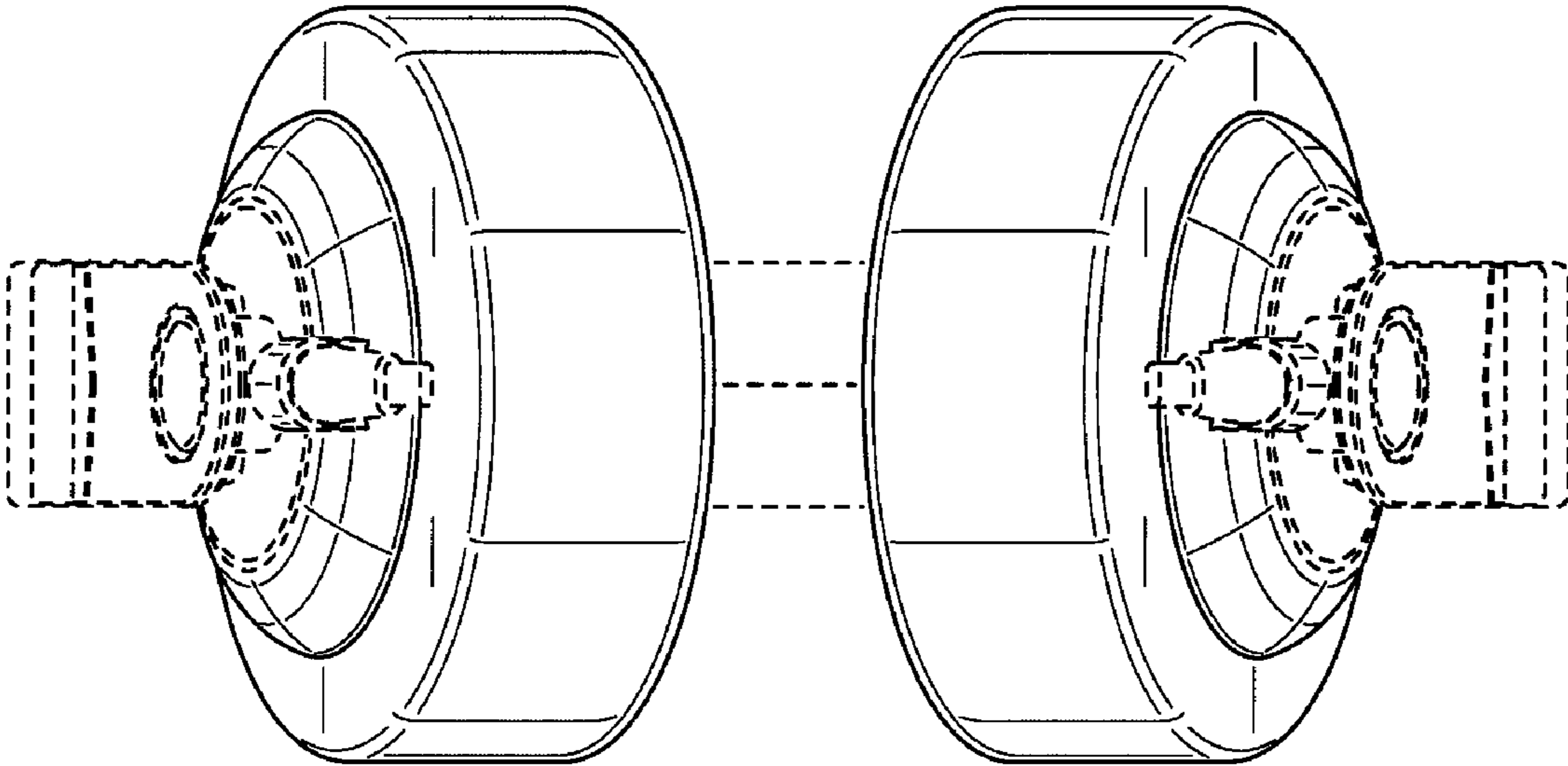


Fig.6

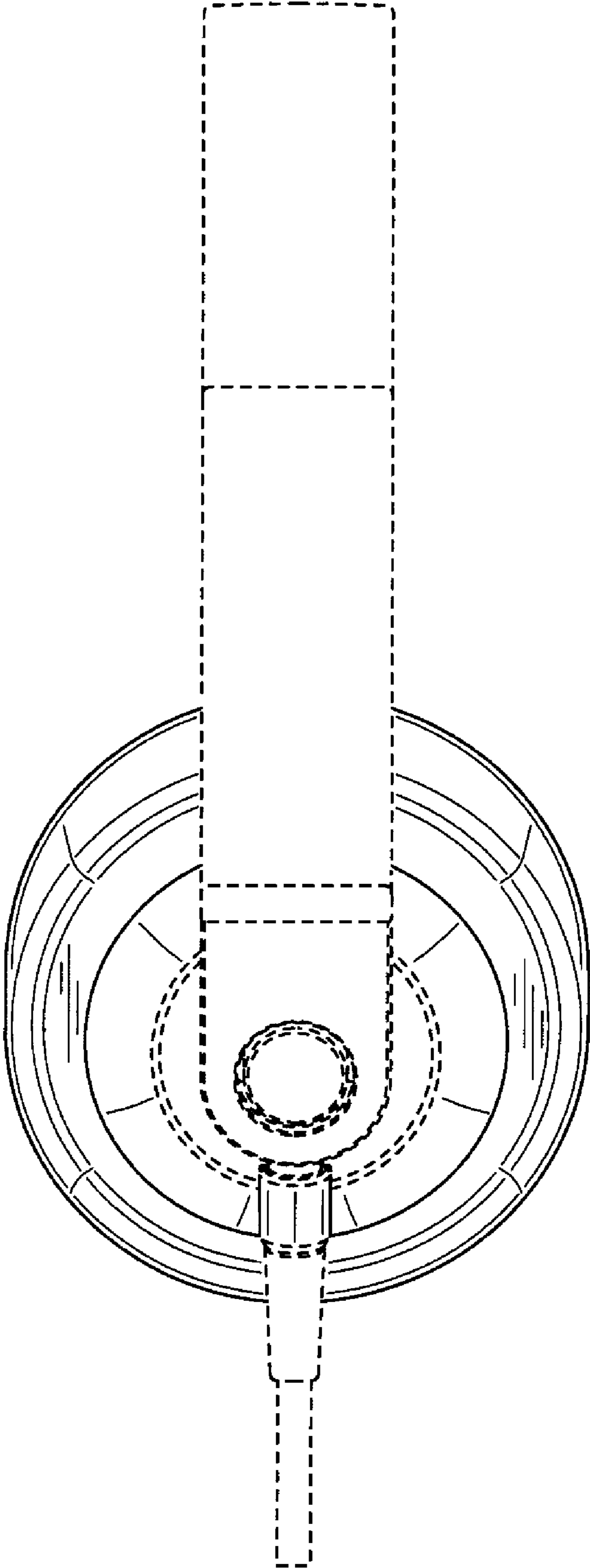




FIG. 7

