



US00D620472S

(12) **United States Design Patent**
Robinson et al.

(10) **Patent No.:** **US D620,472 S**
(45) **Date of Patent:** **** Jul. 27, 2010**

(54) **TELEPHONE**

(75) Inventors: **Quincy Robinson**, Cincinnati, OH (US);
Michael Hoeting, Cincinnati, OH (US)
(73) Assignee: **MerchSource, LLC**, Foothill Ranch, CA
(US)

(**) Term: **14 Years**
(21) Appl. No.: **29/325,500**
(22) Filed: **Oct. 1, 2008**

(30) **Foreign Application Priority Data**
May 19, 2008 (CN) 2008 3 0049047

(51) **LOC (9) Cl.** **14-03**
(52) **U.S. Cl.** **D14/149**
(58) **Field of Classification Search** D14/130,
D14/137, 140, 140.1, 140.8, 141.1, 141.3,
D14/142, 149-151, 158-159, 168, 171-172,
D14/188, 211, 214, 225-226, 240, 243, 251,
D14/253, 299, 336, 215, 167, 210, 212, 509,
D14/140.4, 140.5, 140.6, 242, 140.2, 138 R,
D14/144, 434, 496, 138 G, 138 AA, 341-347,
D14/147-148, 248; 379/387.01, 388.02,
379/420.02, 447, 453, 434; 381/16; D13/107-108,
D13/168; 455/351, 412.1
See application file for complete search history.

(56) **References Cited**

U.S. PATENT DOCUMENTS

D255,681 S * 7/1980 Read et al. D14/147
D277,378 S * 1/1985 Cooke et al. D14/147
D283,614 S * 4/1986 Somaschini D14/130

(Continued)

Primary Examiner—Ian Simmons
Assistant Examiner—Carla Jobe Wright
(74) *Attorney, Agent, or Firm*—The Eclipse Group LLP

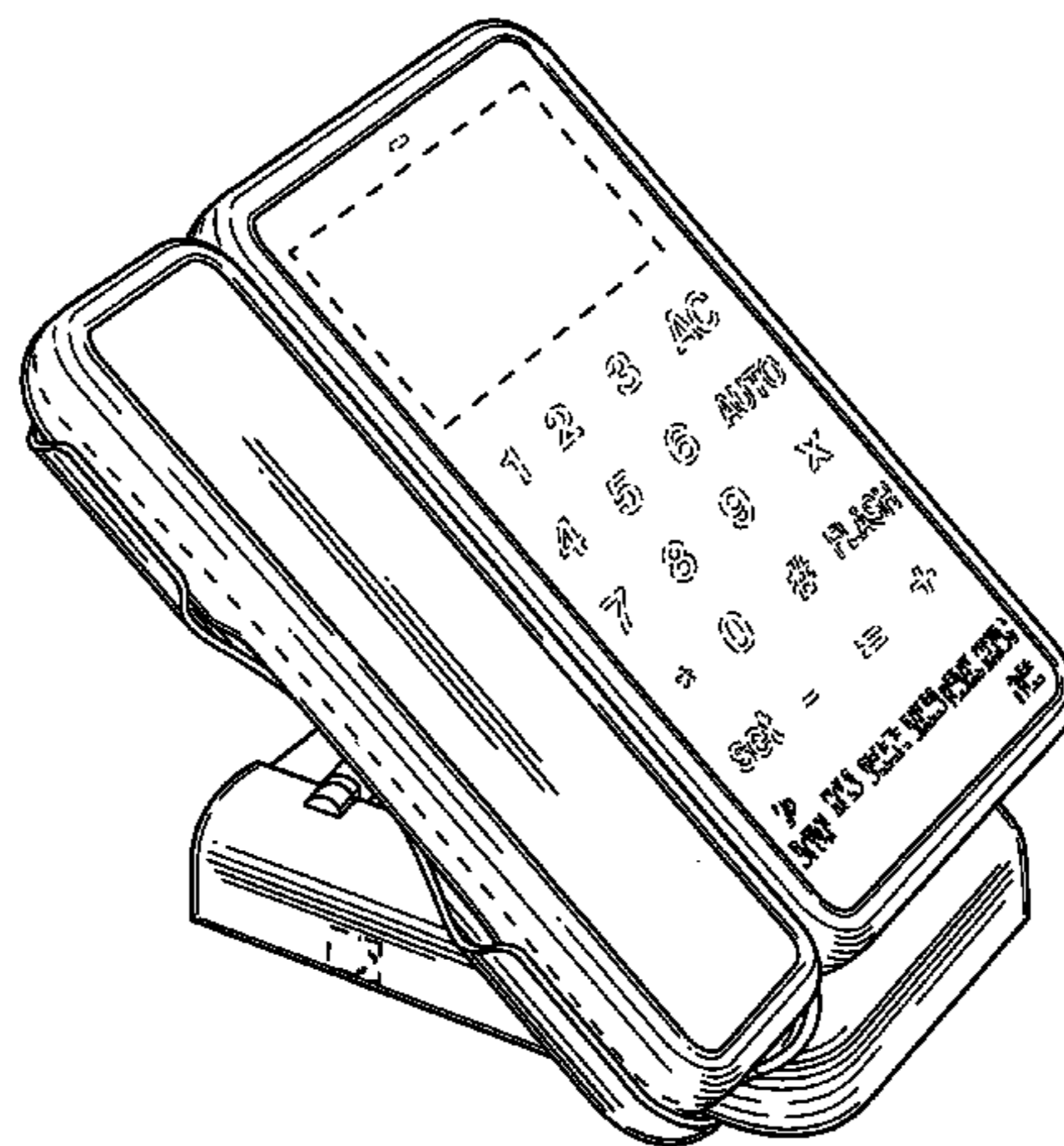
(57) **CLAIM**

We claim the ornamental design for a telephone, as shown and described.

DESCRIPTION

FIG. 1 is a front perspective view of a telephone.
FIG. 2 is a right side view of the telephone of FIG. 1.
FIG. 3 is a front view of the telephone of FIG. 1.
FIG. 4 is a left side view of the telephone of FIG. 1.
FIG. 5 is a rear view of the telephone of FIG. 1.
FIG. 6 is a rear perspective view of the telephone of FIG. 1.
FIG. 7 is a right side view of the telephone of FIG. 1 while in a flat position.
FIG. 8 is a front view of the telephone of FIG. 1 while in a flat position.
FIG. 9 is a rear view of the telephone of FIG. 1 while in a flat position.
FIG. 10 is a bottom view of the telephone of FIG. 1 while in a flat position.
FIG. 11 is a front perspective view of the handset for the telephone of FIG. 1 shown separately for ease of illustration.
FIG. 12 is a top view of the handset of FIG. 11.
FIG. 13 is a bottom view of the handset of FIG. 11.
FIG. 14 is a front view of the handset of FIG. 11.
FIG. 15 is a left side view of the handset of FIG. 11.
FIG. 16 is a right side view of the handset of FIG. 11; and,
FIG. 17 is a rear view of the handset of FIG. 11.
The broken lines that show the outermost periphery of non-claimed features represent boundaries of the claimed design. All other broken lines are directed to environment and are for illustrative purposes only. The broken lines and the unshaded regions that are bounded by broken lines form no part of the claimed design.

1 Claim, 13 Drawing Sheets



US D620,472 S

Page 2

U.S. PATENT DOCUMENTS

D292,285 S *	10/1987	Kando	D14/147	D512,705 S *	12/2005	Bhavnani	D14/151
D296,439 S *	6/1988	Stratton	D14/147	D530,701 S *	10/2006	West et al.	D14/151
D313,595 S *	1/1991	Morooka	D14/159	D554,102 S *	10/2007	Chang	D14/151
5,170,427 A *	12/1992	Guichard et al.	348/14.05	D556,180 S *	11/2007	Udagawa et al.	D14/151
D334,749 S *	4/1993	Yu	D14/151	D557,259 S *	12/2007	Hirsch	D14/217
D339,342 S *	9/1993	Chan	D14/149	D571,777 S *	6/2008	Waterman et al.	D14/151
D414,489 S *	9/1999	Voigt et al.	D14/148	D576,998 S *	9/2008	Furuno	D14/151
D440,542 S *	4/2001	Hawkins et al.	D14/346	D585,397 S *	1/2009	Hwang	D14/130
D479,517 S *	9/2003	Weidinger	D14/151	D596,598 S *	7/2009	Huang et al.	D14/130
D499,705 S *	12/2004	Guerrera et al.	D14/130				

* cited by examiner

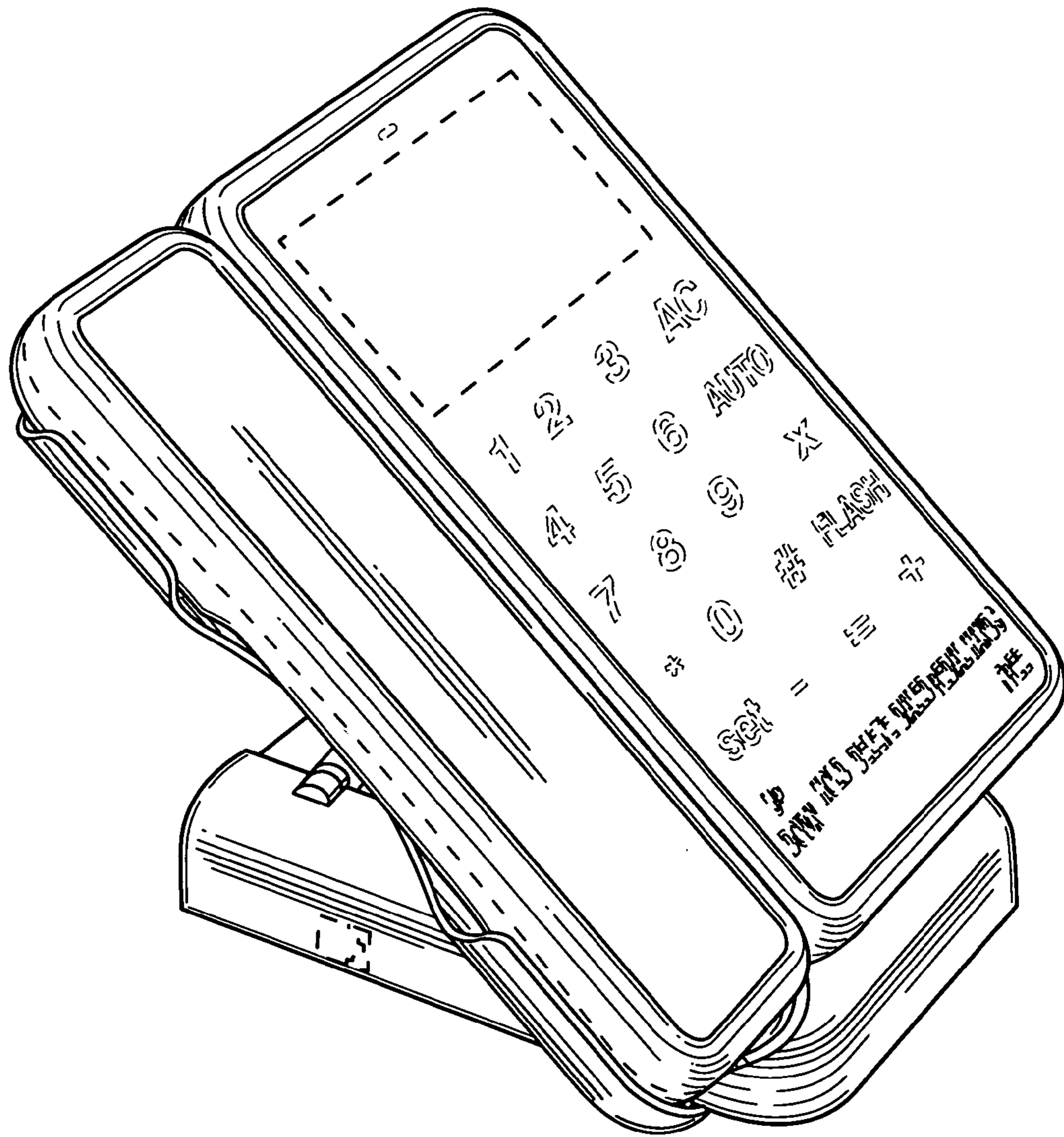


Fig. 1

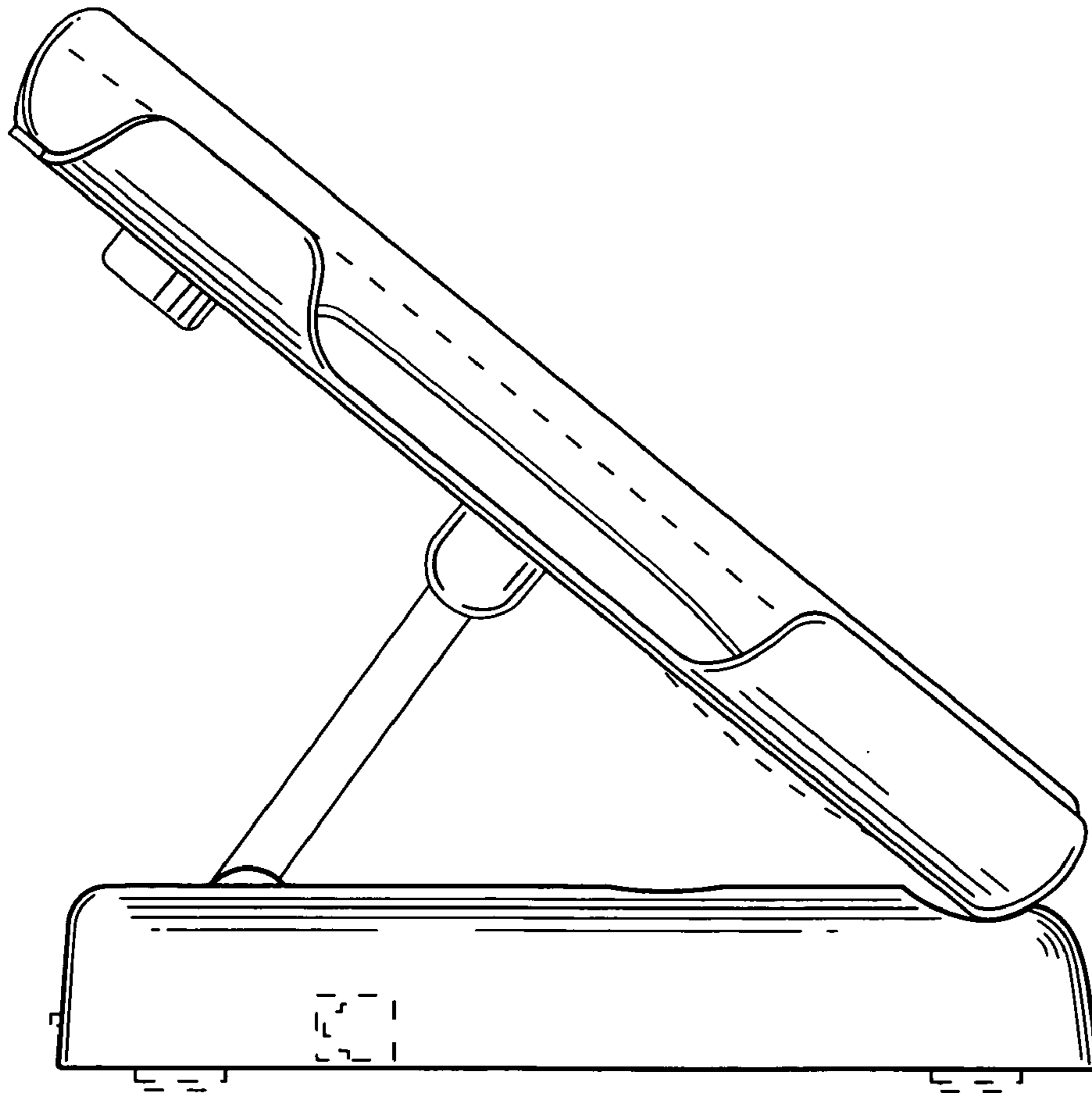


Fig. 2

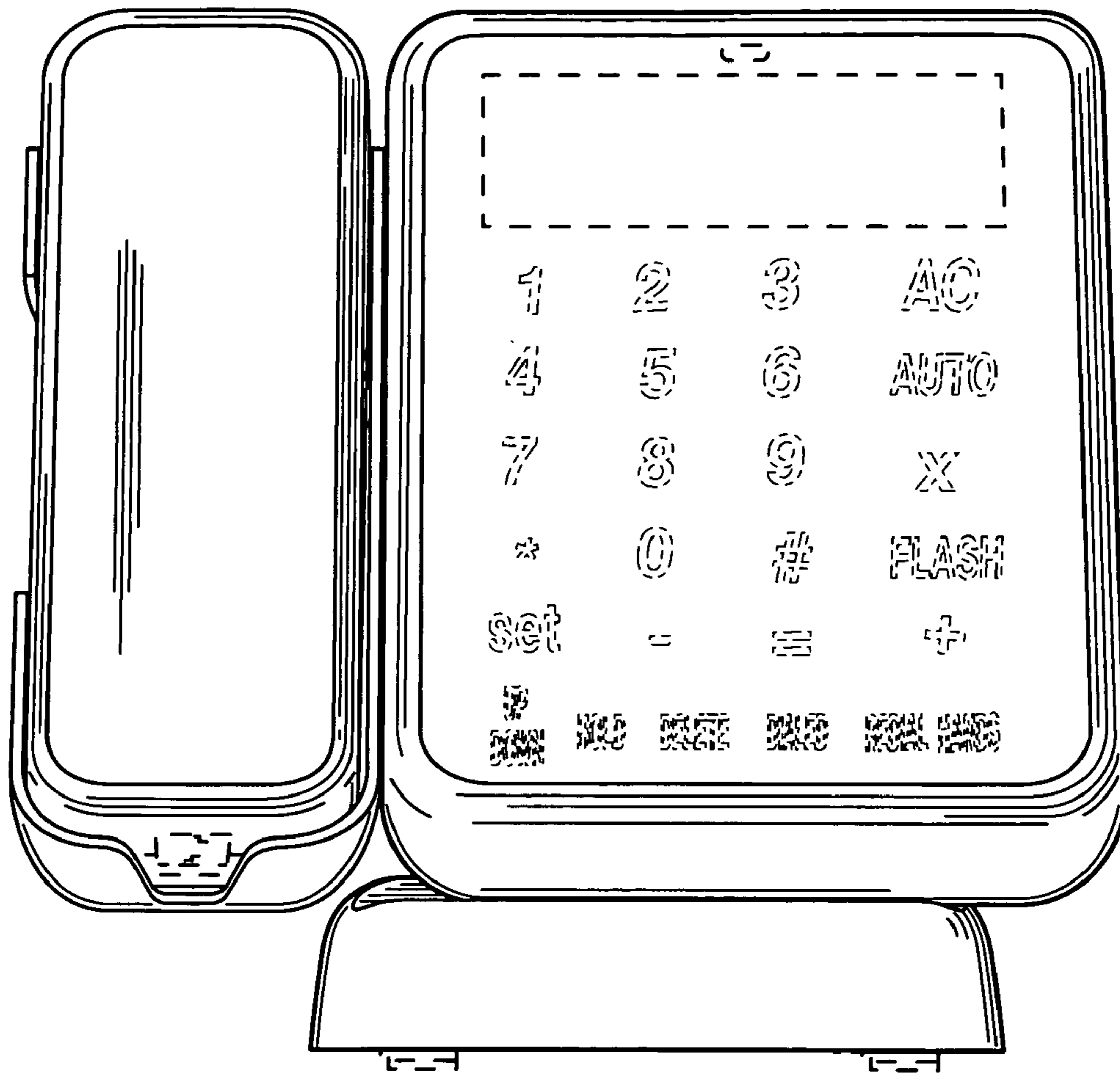


Fig. 3

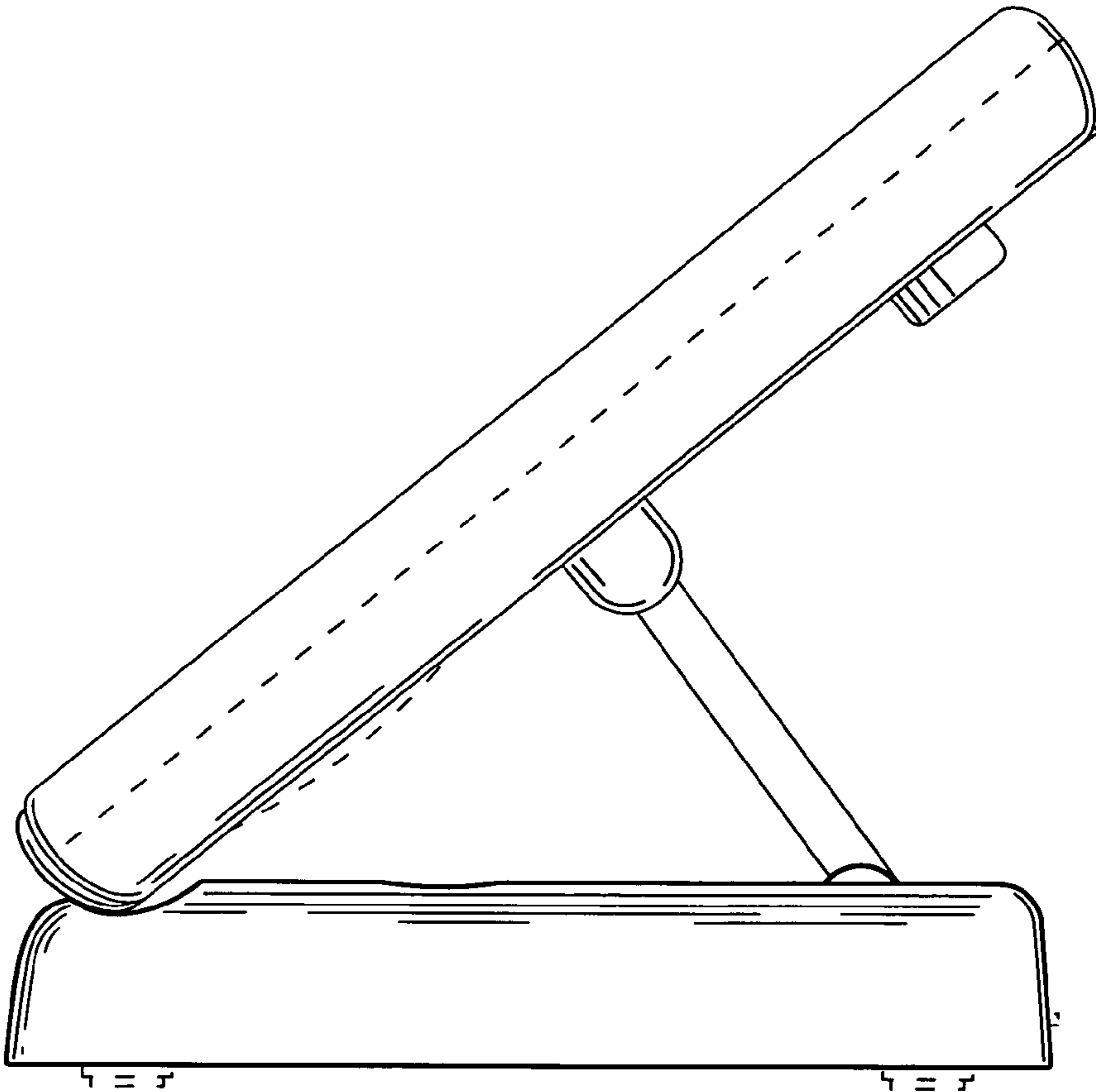


Fig. 4

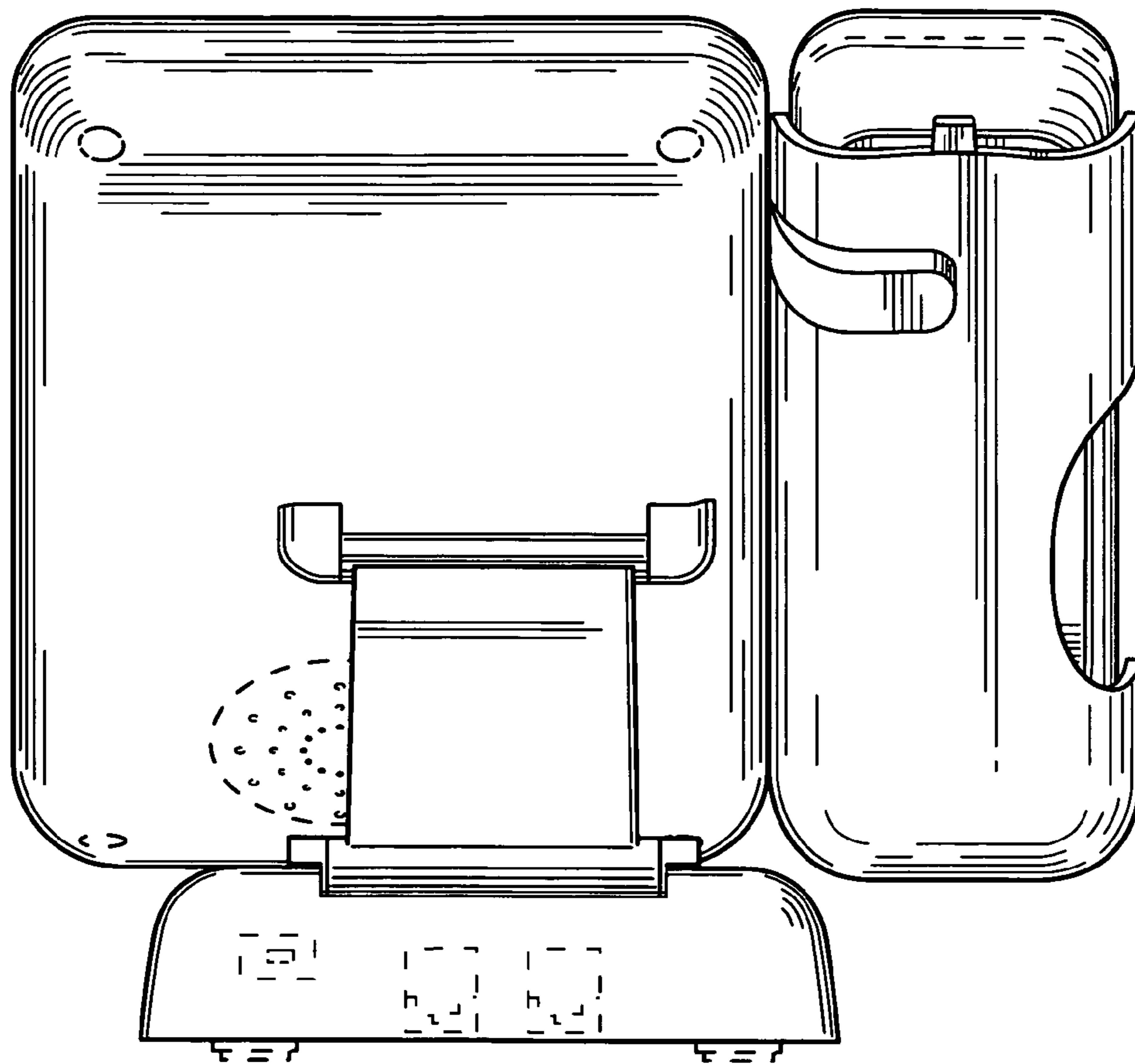


Fig. 5

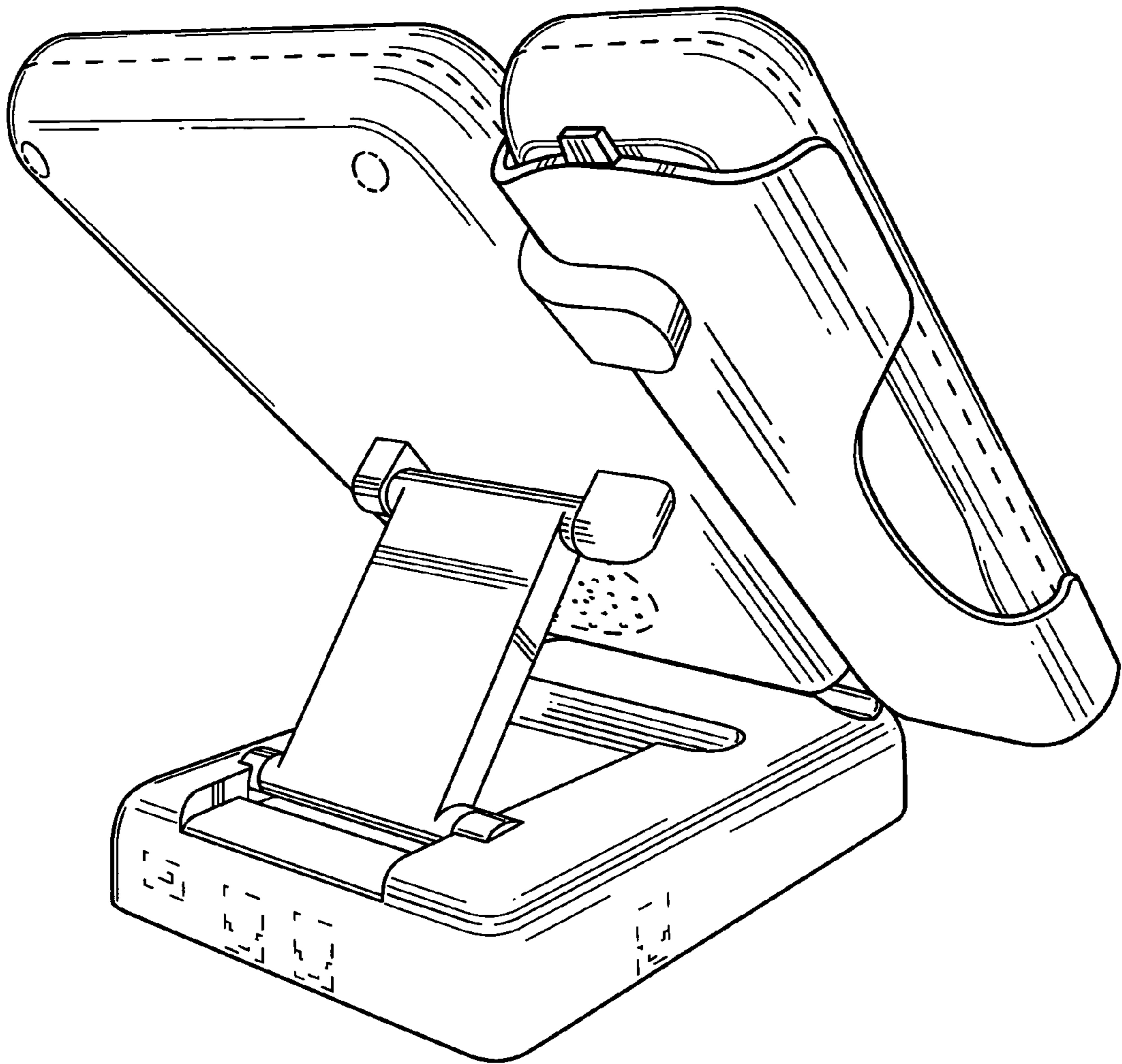


Fig. 6

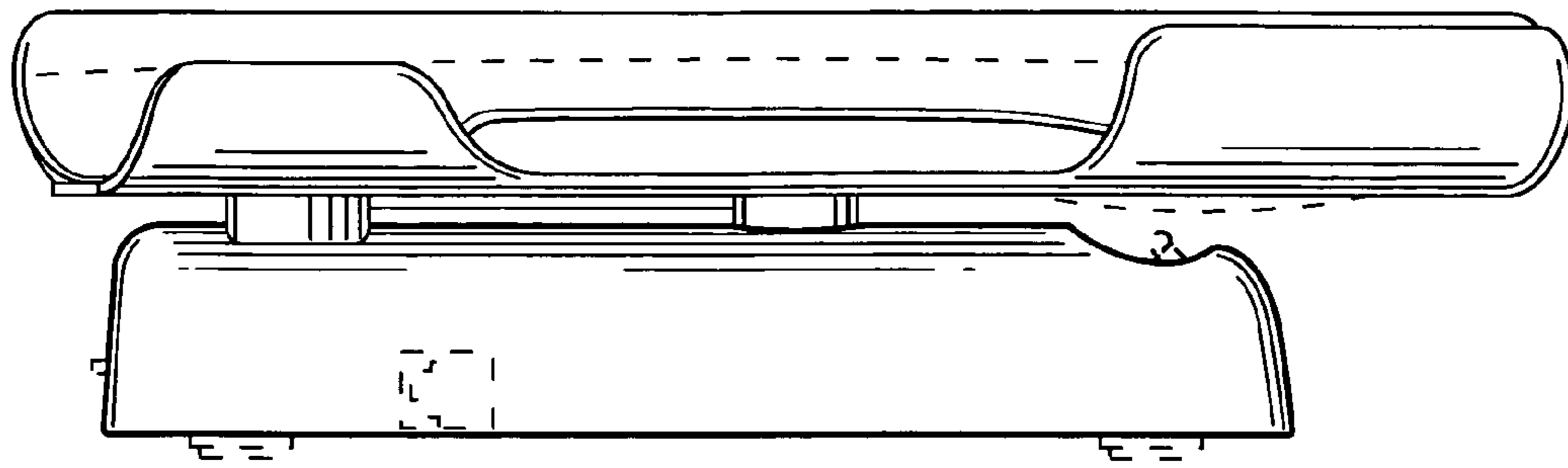


Fig. 7

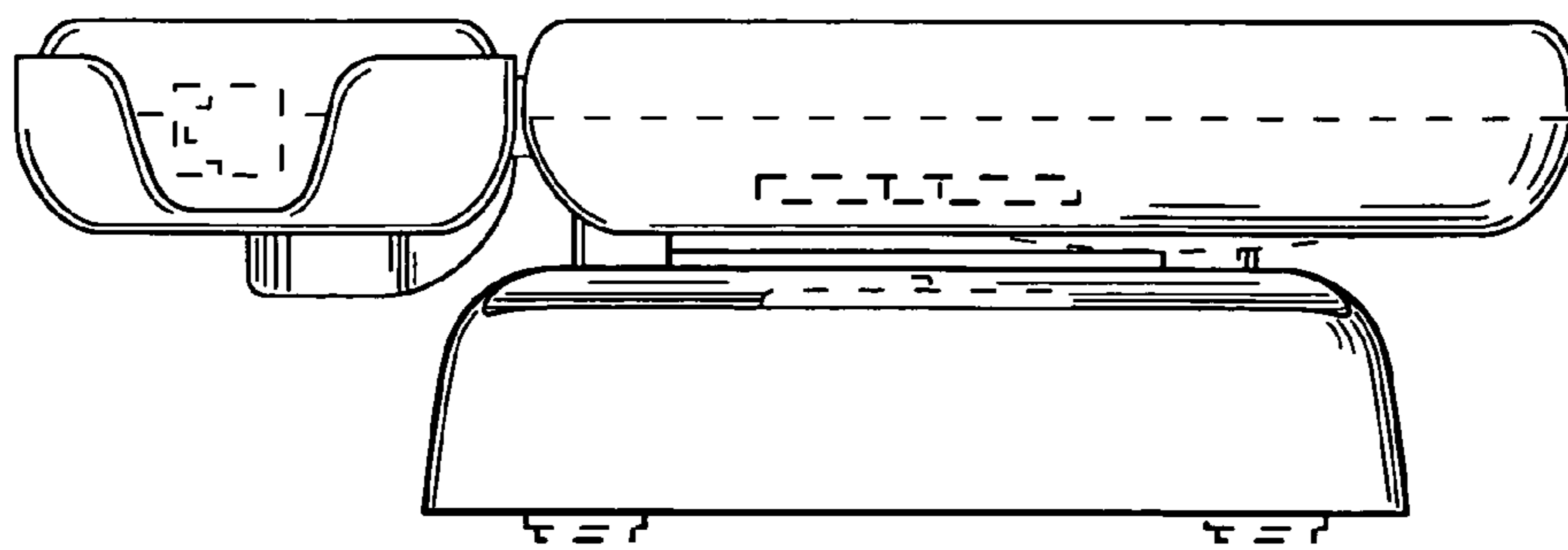


Fig. 8

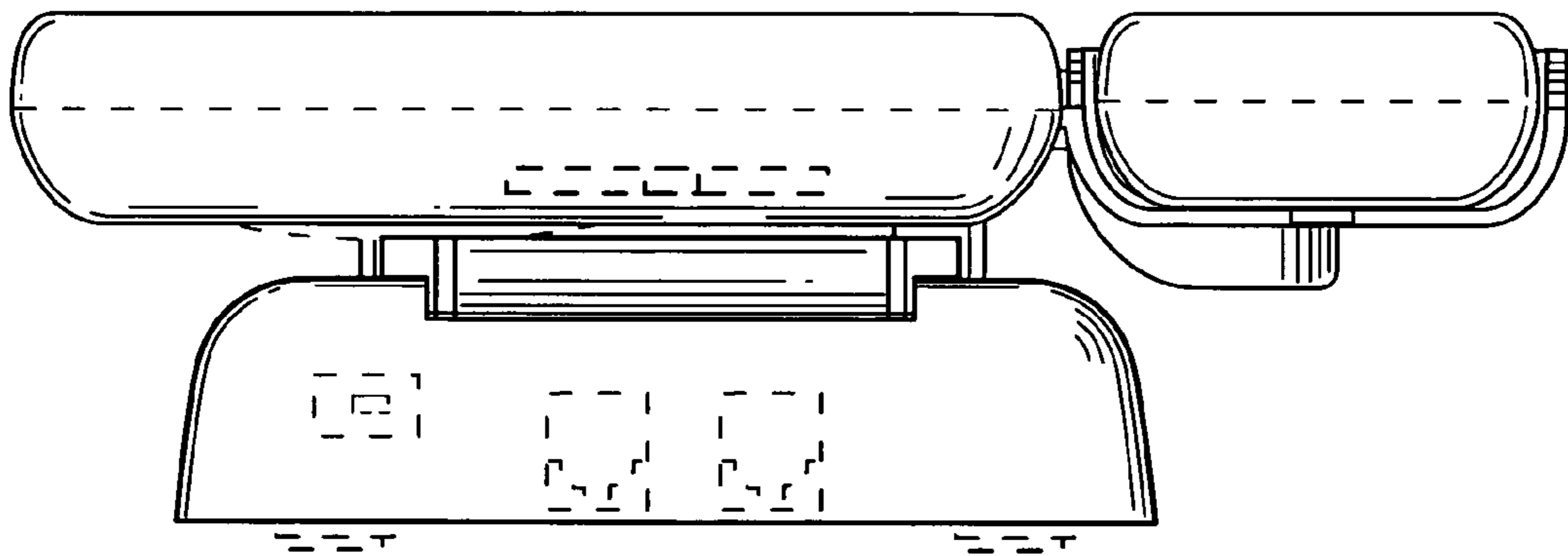


Fig. 9

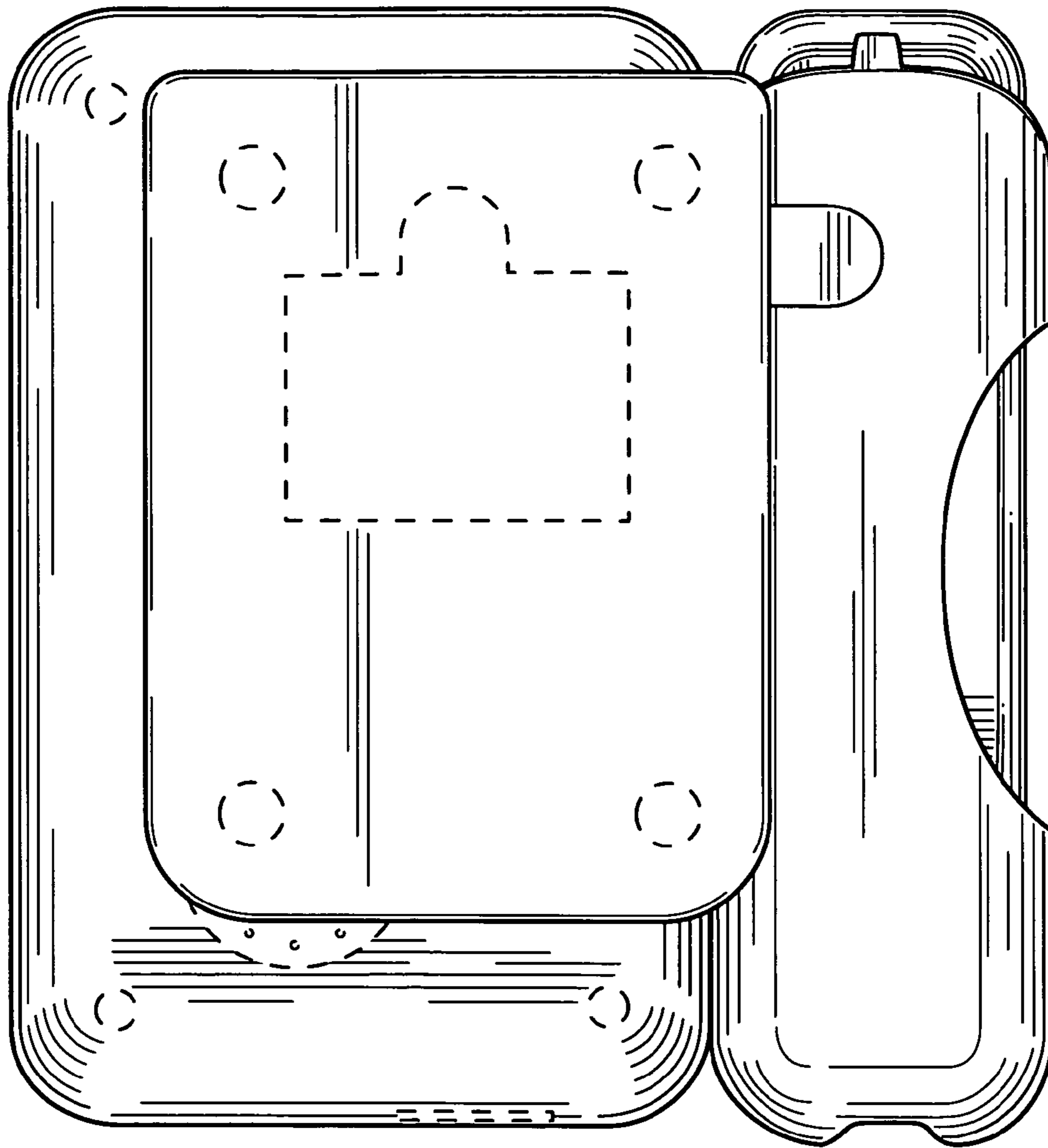


Fig. 10

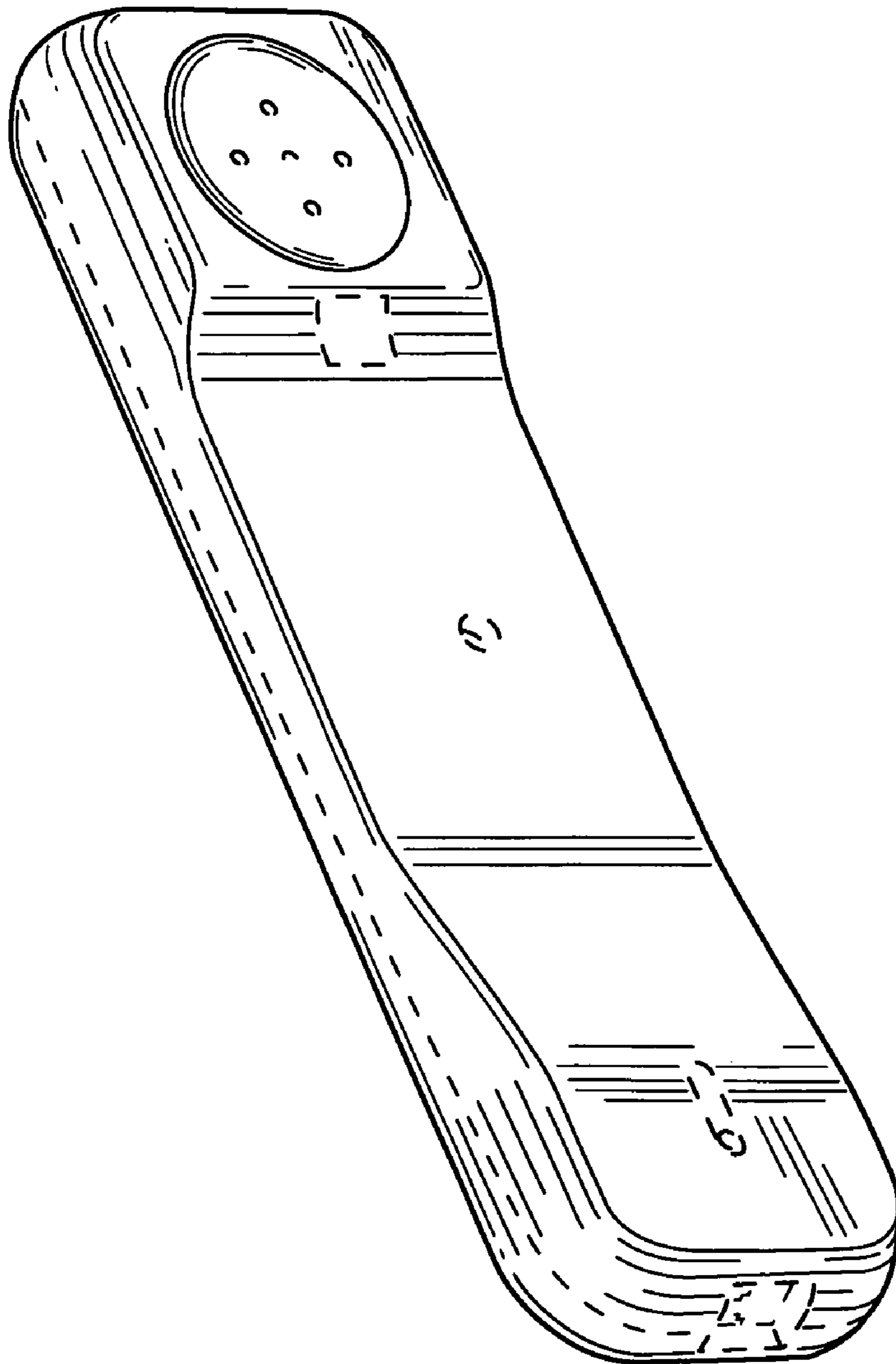


Fig. 11

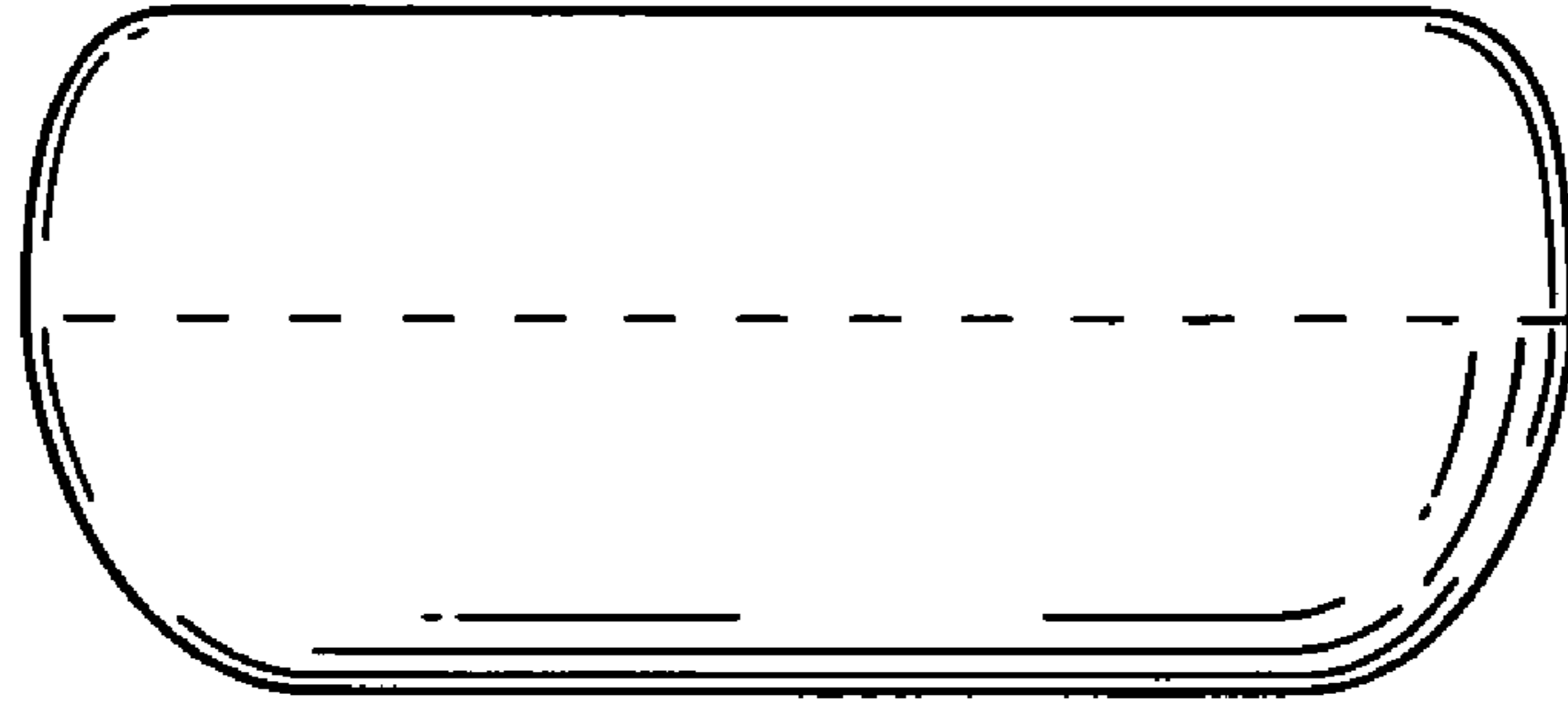


Fig. 12

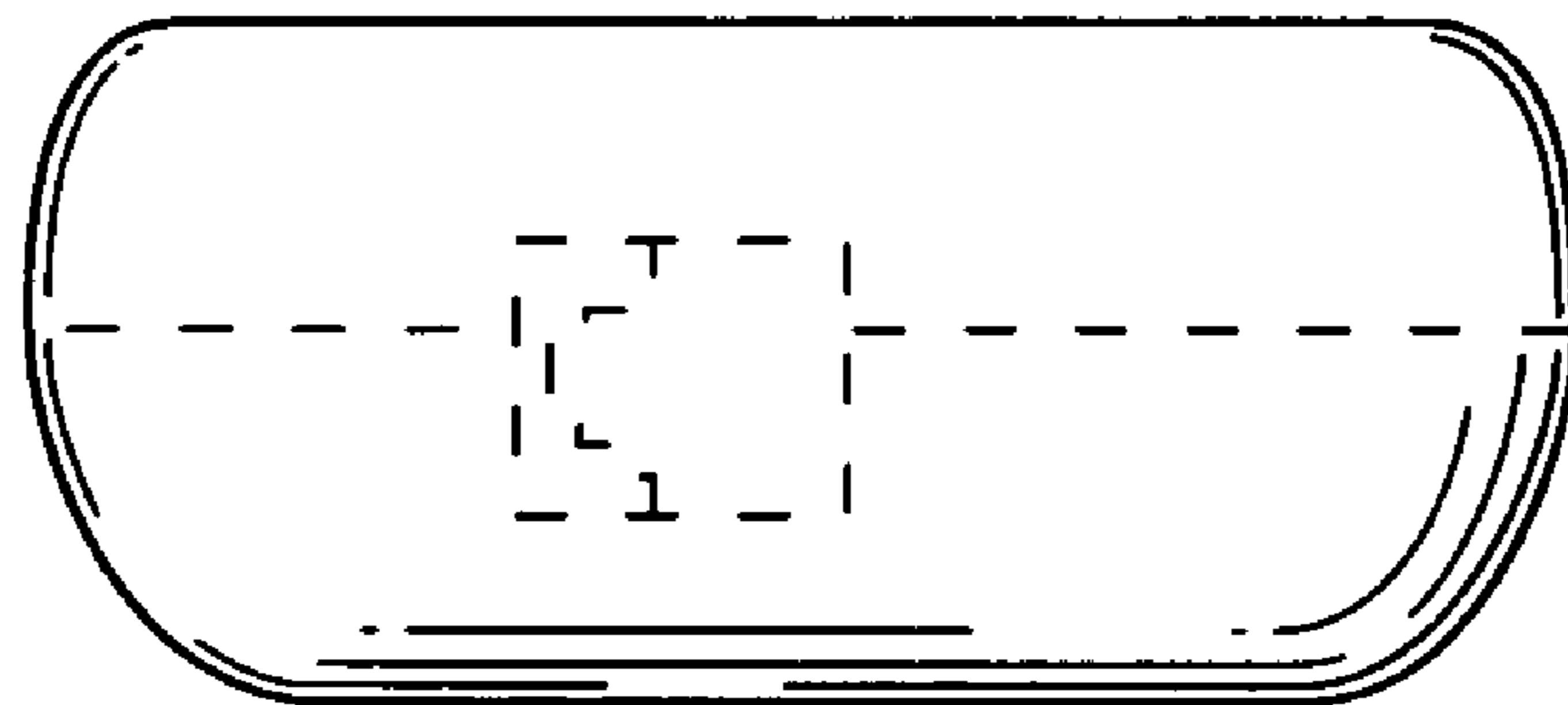


Fig. 13

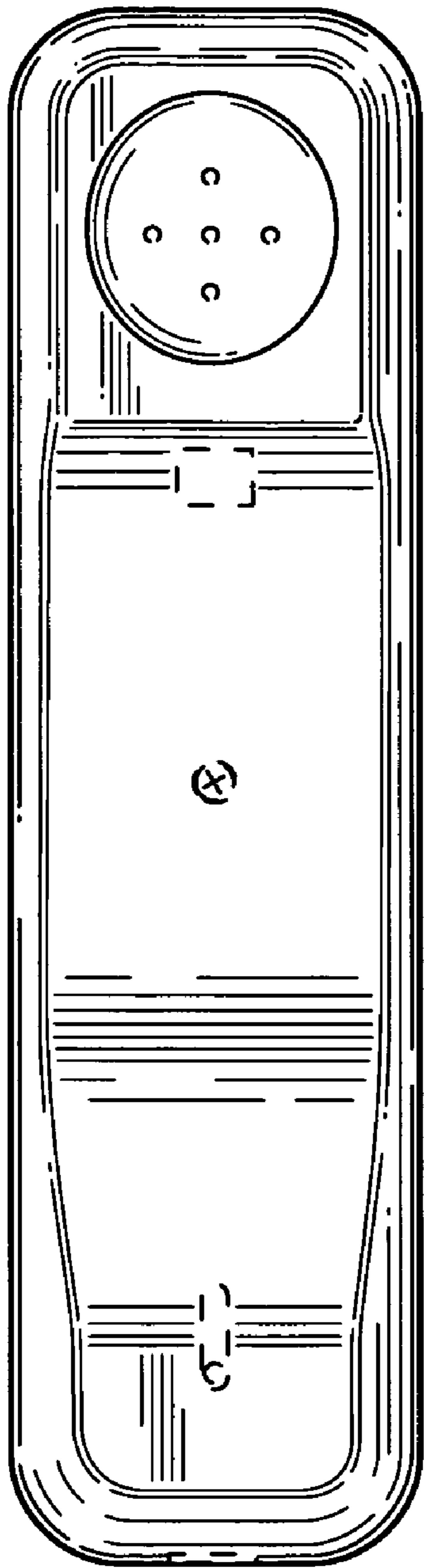


Fig. 14

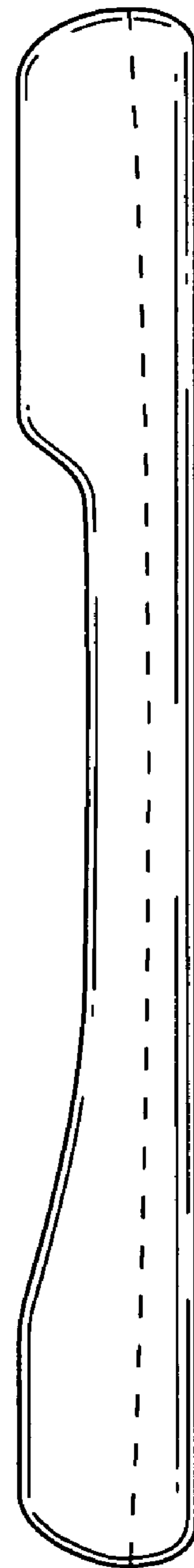


Fig. 15

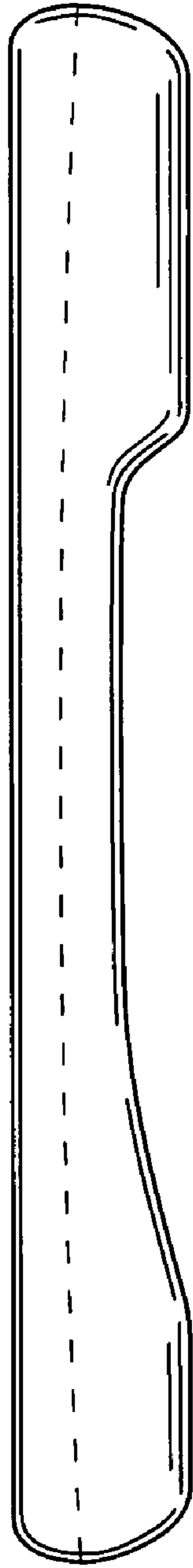


Fig. 16

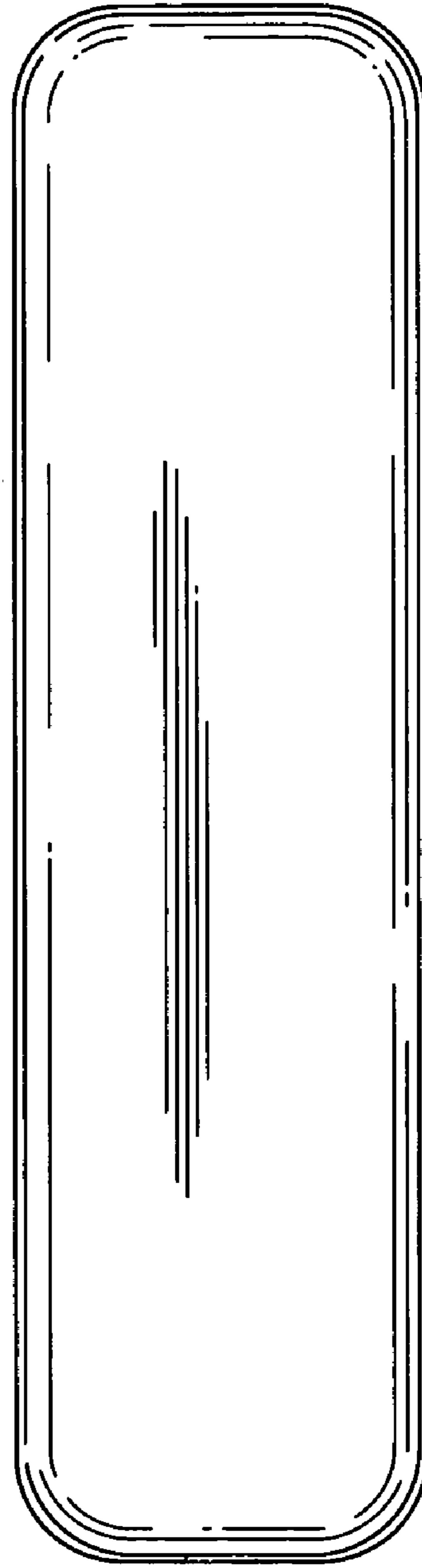


Fig. 17