



US00D620471S

(12) **United States Design Patent**
Huang

(10) **Patent No.:** **US D620,471 S**

(45) **Date of Patent:** **** Jul. 27, 2010**

(54) **MOBILE PHONE**

(75) Inventor: **Guo-Zhao Huang**, Shenzhen (CN)

(73) Assignee: **FIH (Hong Kong) Limited**, Kowloon (HK)

(**) Term: **14 Years**

(21) Appl. No.: **29/351,891**

(22) Filed: **Dec. 14, 2009**

(30) **Foreign Application Priority Data**

Jun. 19, 2009 (CN) 2009 3 0306630

(51) **LOC (9) Cl.** **14-03**

(52) **U.S. Cl.** **D14/138 AC**

(58) **Field of Classification Search** D14/138 R,
D14/138 AD, 138 AC, 138 C, 138 G, 191,
D14/203.1–203.8, 496, 138 AA, 138 AB,
D14/247–248, 137, 147, 218, 341–347; D10/65,
D10/78, 104; D13/168; D18/7; 455/566,
455/575.1, 575.3

See application file for complete search history.

(56) **References Cited**

U.S. PATENT DOCUMENTS

- 822,783 A * 6/1906 Smith 33/457
- D178,076 S * 6/1956 Meserow D14/191
- D261,274 S * 10/1981 Gobeli D18/7
- D306,589 S * 3/1990 Murayama D14/165
- D314,157 S * 1/1991 Telles D10/65
- D486,806 S * 2/2004 Takayama et al. D14/137
- D486,807 S * 2/2004 Takayama et al. D14/137
- D521,481 S * 5/2006 Shin D14/138 AB
- D527,717 S * 9/2006 Kim D14/138 AD
- 7,142,899 B2 * 11/2006 Nordenskjold 455/575.3
- D542,767 S * 5/2007 Choi et al. D14/138 AC
- D550,190 S * 9/2007 Minamide et al. D14/138 AD
- D553,113 S * 10/2007 Cha et al. D14/138 AC
- D569,364 S * 5/2008 Park et al. D14/138 AC
- 7,415,290 B2 * 8/2008 Murray et al. 455/569.1
- 7,433,721 B2 * 10/2008 Kuroda 455/575.3

- D599,768 S * 9/2009 Kim et al. D14/138 AD
- D600,228 S * 9/2009 Finney et al. D14/138 AC
- D609,670 S * 2/2010 Finney et al. D14/138 AC
- D609,685 S * 2/2010 Lin D14/138 AC
- D612,355 S * 3/2010 Luo D14/138 AC
- 2005/0070328 A1 * 3/2005 Wang et al. 455/556.1

(Continued)

OTHER PUBLICATIONS

Samsung X810, announced 2nd quarter 2005, [online], [retrieved on Aug. 21, 2007]. Retrieved from Internet ,<URL: http://www.gsmarena.com>.*

(Continued)

Primary Examiner—Jeffrey D Asch

Assistant Examiner—Bridget L Eland

(74) *Attorney, Agent, or Firm*—Steven M. Reiss

(57) **CLAIM**

The ornamental design for a mobile phone, as shown and described.

DESCRIPTION

FIG. 1 is a front perspective view of a mobile phone showing my new design;

FIG. 2 is a front elevational view thereof;

FIG. 3 is a rear elevational view thereof;

FIG. 4 is a left side elevational view thereof;

FIG. 5 is a right side elevational view thereof;

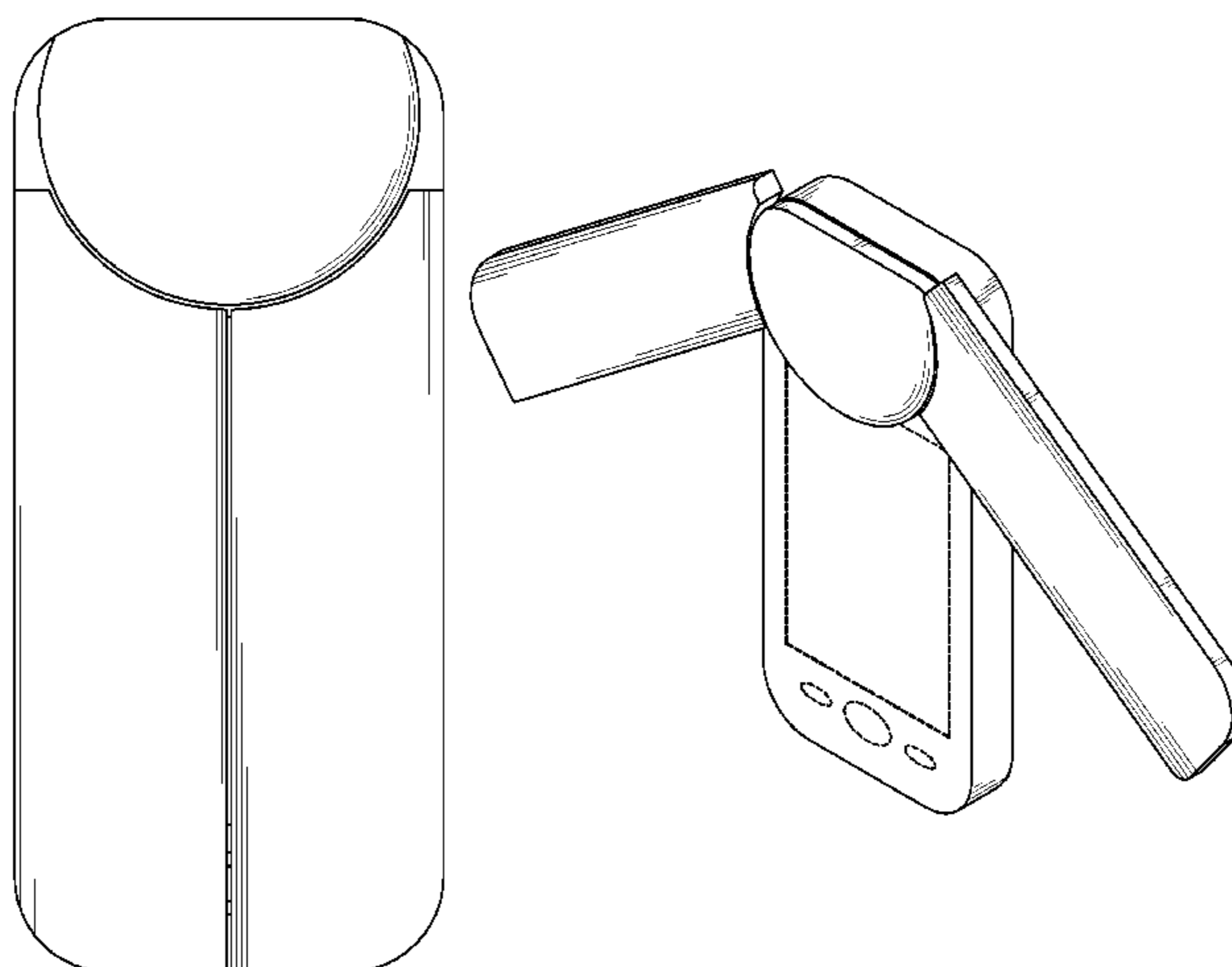
FIG. 6 is a top plan view thereof;

FIG. 7 is a bottom plan view thereof; and,

FIG. 8 is a perspective view of another configuration of the mobile phone of FIG. 1.

The broken lines immediately adjacent the claimed areas represent the bounds of the claimed design while all other broken lines are directed to environment and are for illustrative purposes only; the broken lines form no part of the claimed design.

1 Claim, 8 Drawing Sheets



U.S. PATENT DOCUMENTS

2005/0107142 A1* 5/2005 Soejima 455/575.3
2006/0035678 A1* 2/2006 Jaakkola 455/566
2008/0076479 A1* 3/2008 Nagamine et al. 455/566
2009/0215495 A1* 8/2009 Fahlgren et al. 455/566

OTHER PUBLICATIONS

Samsung X830, announced Sep. 2006, [online], [retrieved on Feb. 8, 2007]. Retrieved from Internet ,<URL: <http://www.gsmarena.com>>.*

Samsung P110, announced Feb. 2007, [online], [retrieved on Feb. 16, 2007]. Retrieved from Internet ,<URL: <http://www.gsmarena.com>>.*

Samsung F200, announced Jun. 2007, [online], [retrieved on Aug. 6, 2007]. Retrieved from Internet ,<URL: <http://www.gsmarena.com>>.*

Samsung F210, announced Jun. 2007, [online], [retrieved on Aug. 6, 2007]. Retrieved from Internet ,<URL: <http://www.gsmarena.com>>.*

* cited by examiner

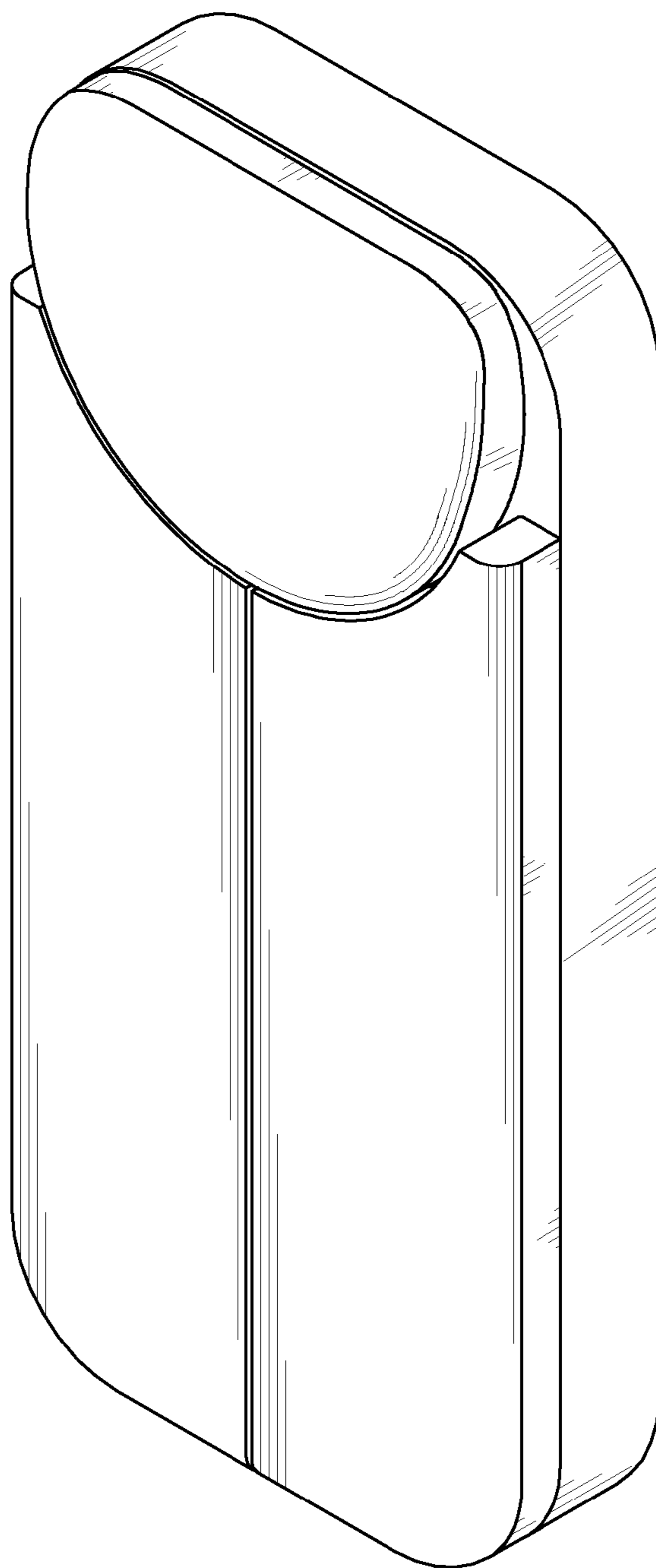


FIG. 1

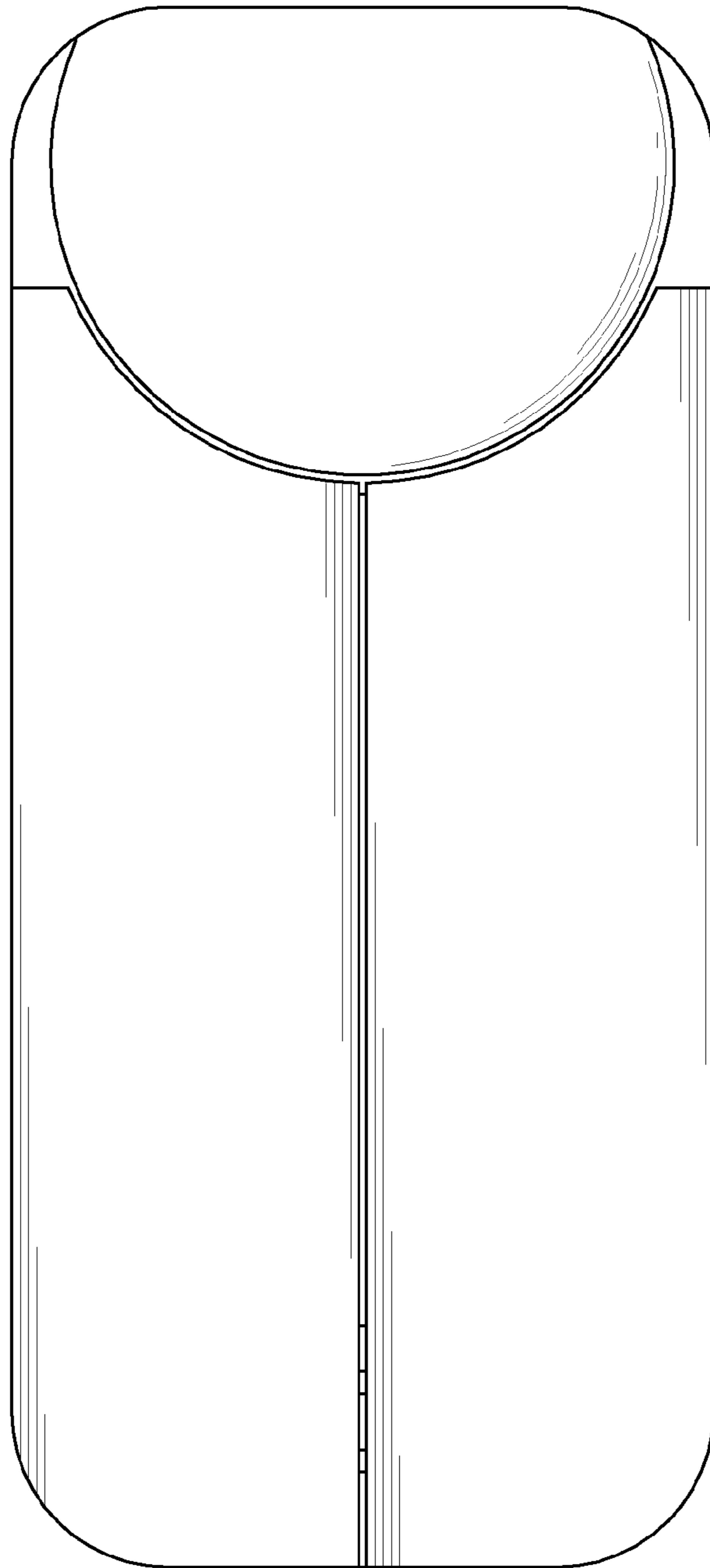


FIG. 2

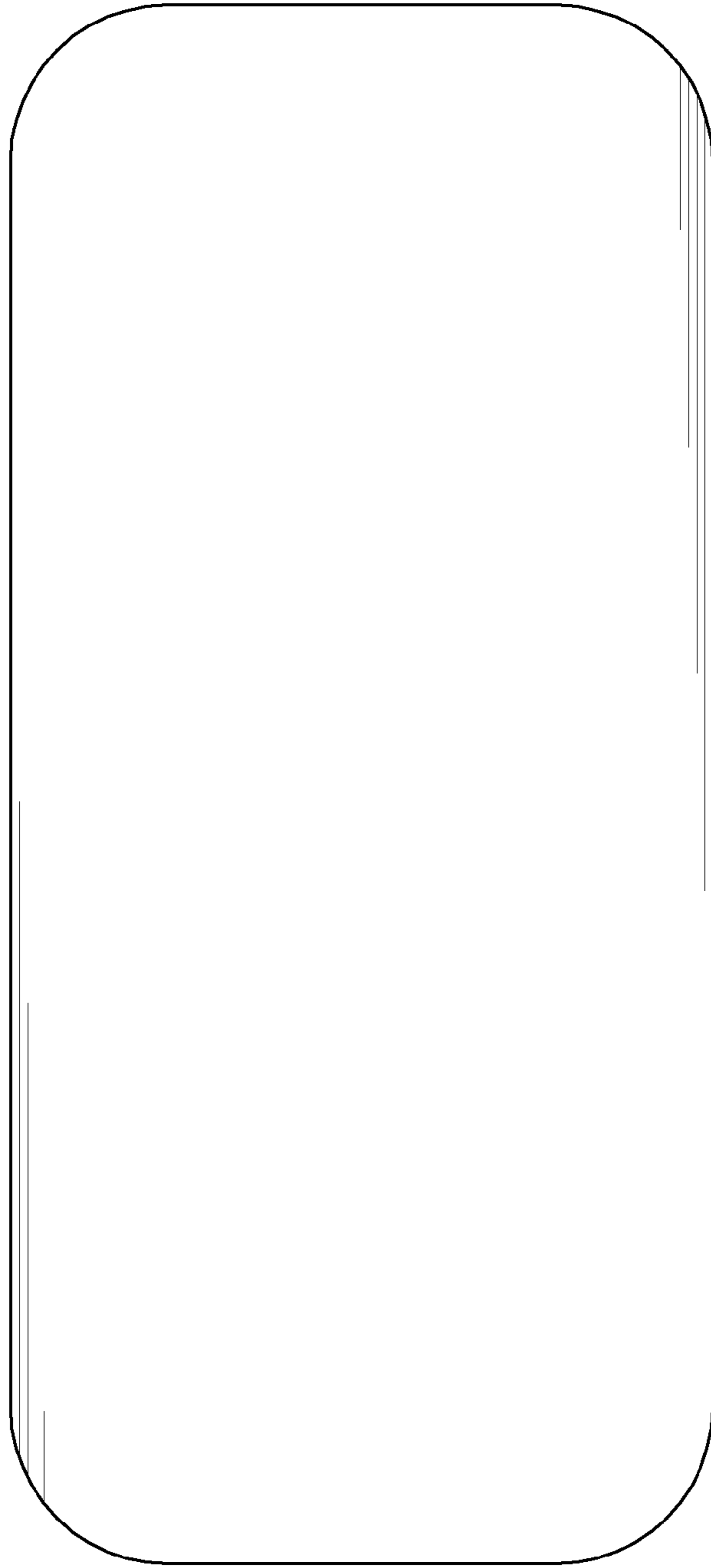


FIG. 3

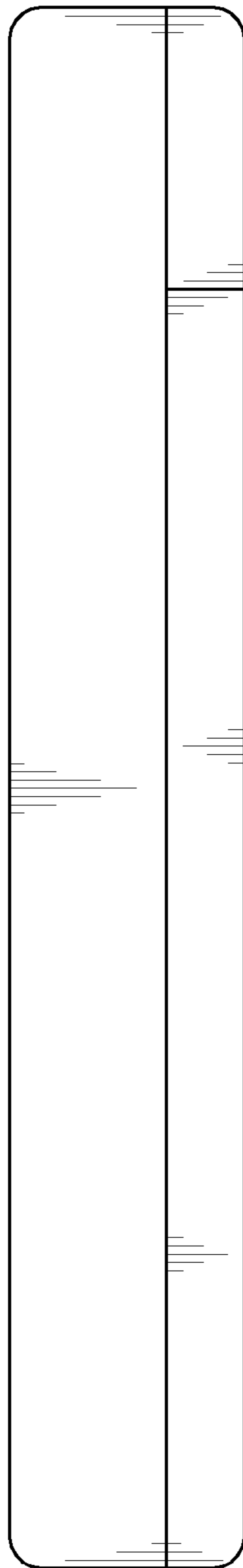


FIG. 4

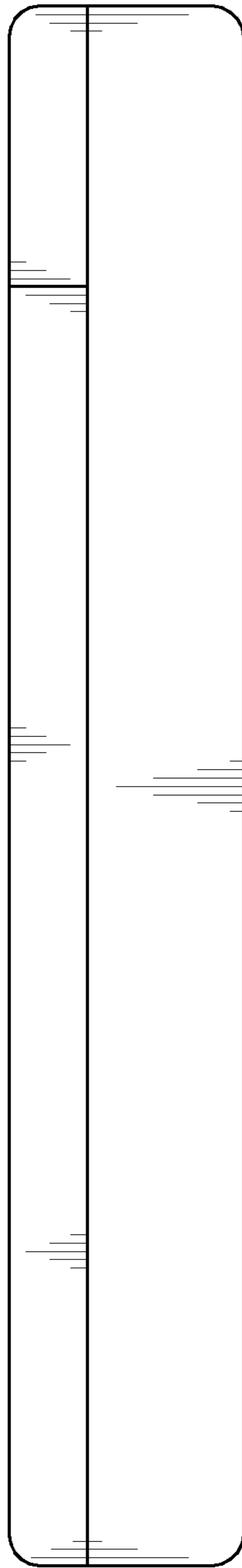


FIG. 5

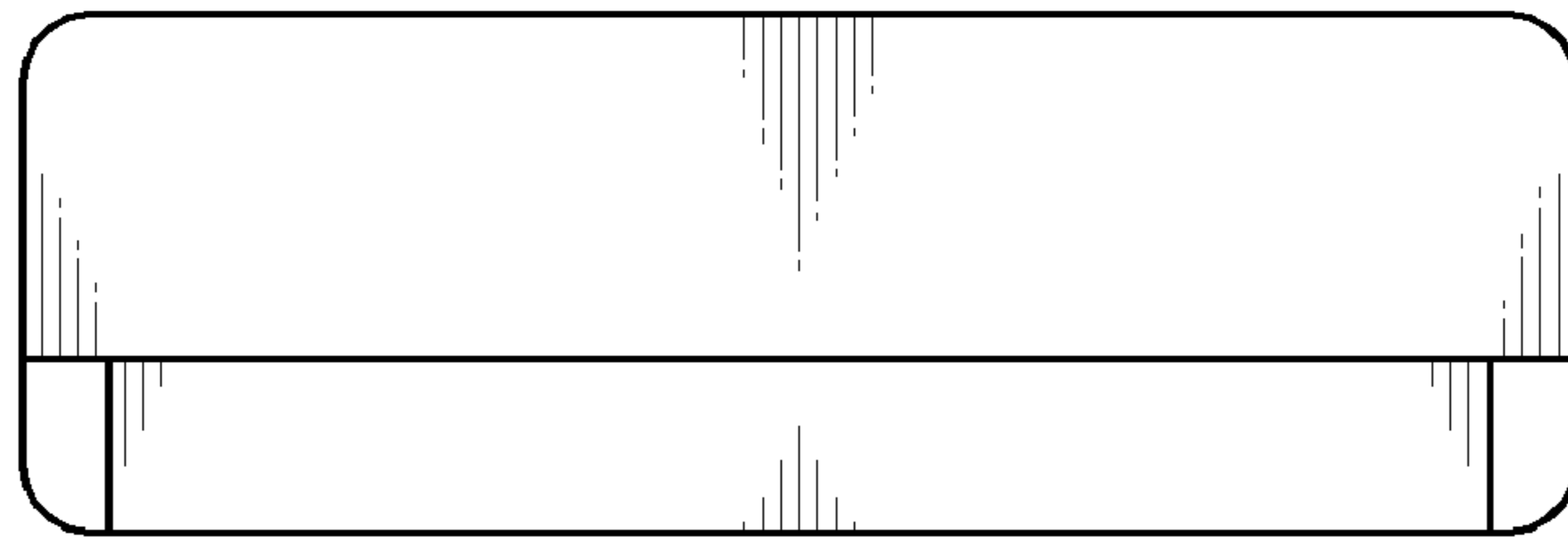


FIG. 6

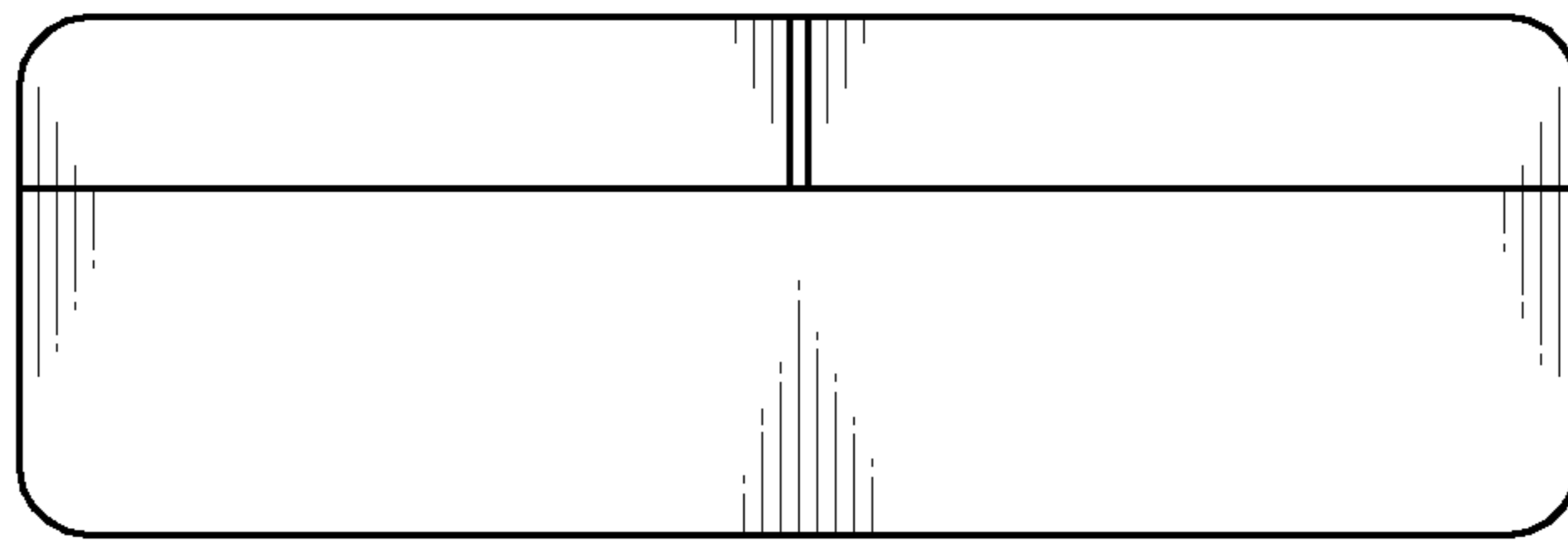


FIG. 7

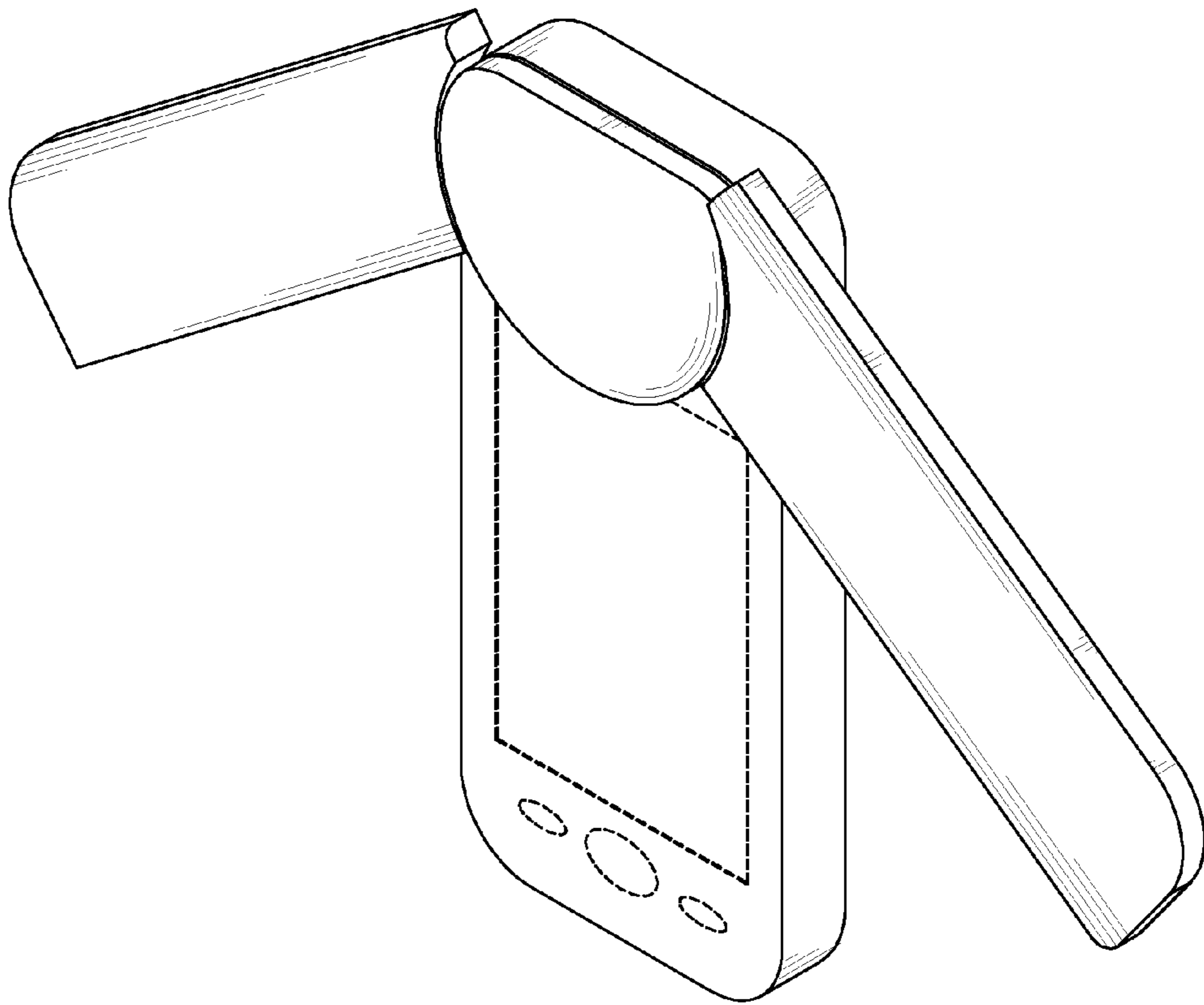


FIG. 8