



US00D620468S

(12) **United States Design Patent**
Kim et al.

(10) **Patent No.:** **US D620,468 S**
(45) **Date of Patent:** **** Jul. 27, 2010**

(54) **MOBILE PHONE**

(75) Inventors: **Sung-Kwon Kim**, Seoul (KR);
Seung-Min Park, Seoul (KR);
Seog-Guen Kim, Seoul (KR)

(73) Assignee: **Samsung Electronics Co., Ltd**,
Suwon-Si (KR)

(**) Term: **14 Years**

(21) Appl. No.: **29/342,061**

(22) Filed: **Aug. 18, 2009**

(30) **Foreign Application Priority Data**

May 21, 2009 (KR) 30-2009-0021832

(51) **LOC (9) Cl.** **14-03**

(52) **U.S. Cl.** **D14/138 AA; D14/346**

(58) **Field of Classification Search** D14/341-347,
D14/147, 496, 203.3, 203.4, 203.7, 138 AA,
D14/138 R, 138 AD, 248; 455/575.1, 575.4,
455/556.2

See application file for complete search history.

(56) **References Cited**

U.S. PATENT DOCUMENTS

- D545,804 S * 7/2007 Lee D14/138 AA
- D548,218 S * 8/2007 Hong et al. D14/138 AA
- D550,641 S * 9/2007 Wang D14/138 AA
- D554,634 S * 11/2007 Huang D14/341
- D562,312 S * 2/2008 Hu et al. D14/248
- D563,378 S * 3/2008 Tseng et al. D14/138 AA
- D563,415 S * 3/2008 Griffin et al. D14/439
- D564,482 S * 3/2008 Rihu et al. D14/138 AA
- D566,086 S * 4/2008 Hong et al. D14/138 AA
- D576,139 S * 9/2008 Rihu et al. D14/138 AA
- D576,593 S * 9/2008 Chang et al. D14/138 AA
- D576,988 S * 9/2008 Kim et al. D14/138 AA

- D582,372 S * 12/2008 Lee et al. D14/138 AA
- D584,262 S * 1/2009 Hu et al. D14/138 AA
- D588,127 S * 3/2009 Rak et al. D14/346
- D593,554 S * 6/2009 Griffin et al. D14/346
- D597,511 S * 8/2009 Park D14/138 AA
- D599,316 S * 9/2009 Hong et al. D14/138 AA
- D600,231 S * 9/2009 Lee et al. D14/138 AA
- D601,529 S * 10/2009 Rouger D14/138 AA
- D601,540 S * 10/2009 Kim et al. D14/138 AA

(Continued)

OTHER PUBLICATIONS

Samsung i637 Jack telephone, announced May 2009, [online], [site visited Jan. 19, 2010]. Available from Internet ,<URL: <http://www.gsmarena.com>>.*

(Continued)

Primary Examiner—Jeffrey D Asch

(74) *Attorney, Agent, or Firm*—Staas & Halsey LLP

(57)

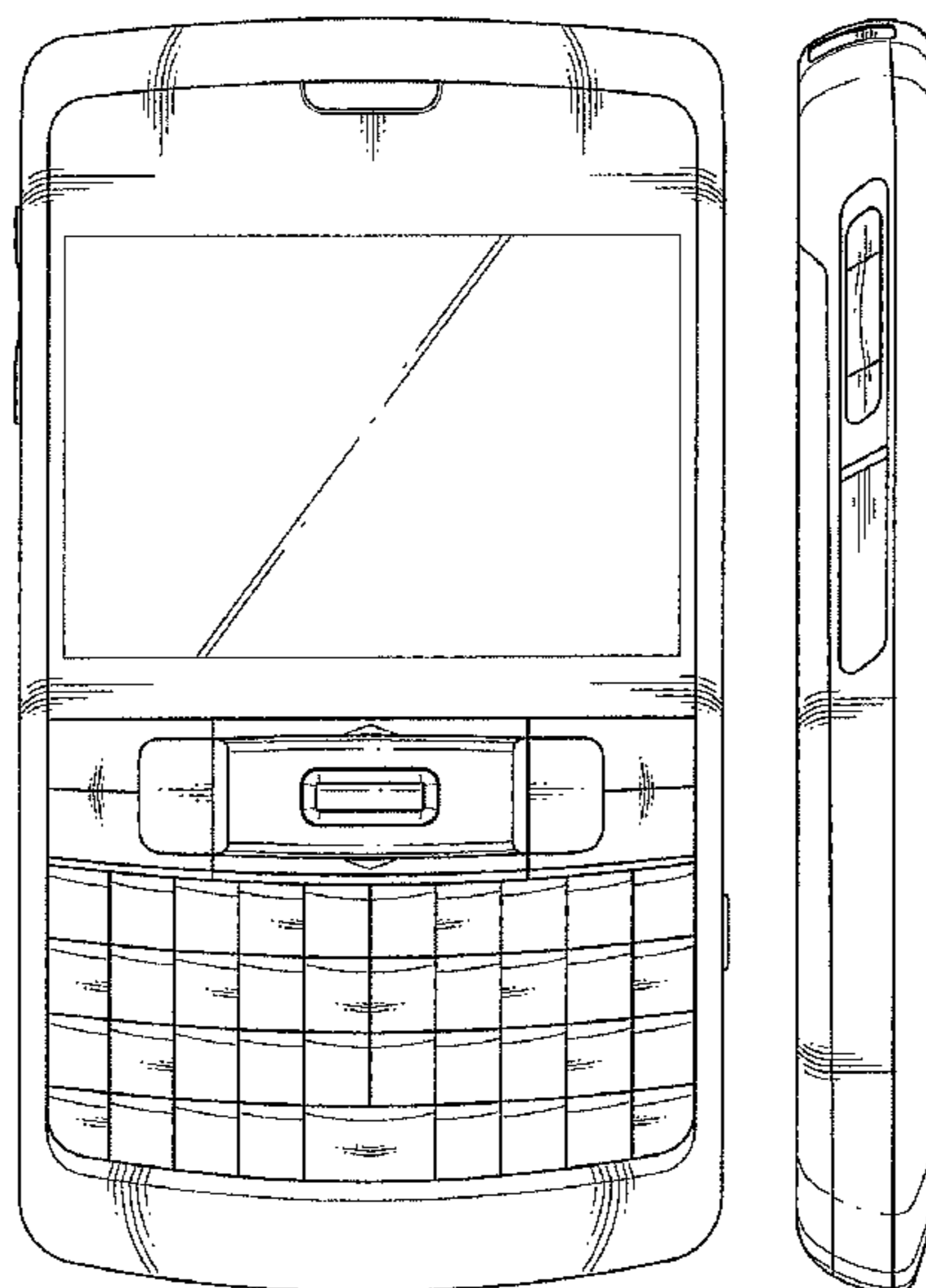
CLAIM

The ornamental design for a mobile phone, as shown and described.

DESCRIPTION

FIG. 1 is a front perspective view of a mobile phone;
FIG. 2 is a front view of the mobile phone of FIG. 1;
FIG. 3 is a rear view of the mobile phone of FIG. 1;
FIG. 4 is a left-side view of the mobile phone of FIG. 1;
FIG. 5 is a right-side view of the mobile phone of FIG. 1;
FIG. 6 is a top plan view of the mobile phone of FIG. 1; and,
FIG. 7 is a bottom plan view of the mobile phone of FIG. 1.

1 Claim, 4 Drawing Sheets



U.S. PATENT DOCUMENTS

D601,987 S * 10/2009 Park et al. D14/138 AA
D603,402 S * 11/2009 Ferrari et al. D14/346
D603,833 S * 11/2009 Ho et al. D14/138 AA
D606,994 S * 12/2009 Griffin et al. D14/346
D607,866 S * 1/2010 Kim et al. D14/138 AA
D607,868 S * 1/2010 Kim et al. D14/138 AA
2009/0280871 A1* 11/2009 Hofer et al. 455/573

OTHER PUBLICATIONS

Samsung A177 telephone, announced May 2009, [online], [site visited Jan. 19, 2010]. Available from Internet ,<URL: <http://www.gsmarena.com>>.*
HP iPAQ 910c telephone, announced Sep. 2007, [online], [site visited Jan. 19, 2010]. Available from Internet ,<URL: <http://www.gsmarena.com>>.*
Gigabyte GSmart q60 telephone, announced Feb. 2007, [online], [site visited Jan. 19, 2010]. Available from Internet ,<URL: <http://www.gsmarena.com>>.*

Vodafone 1231 telephone, announced Jun. 2009, [online], [site visited Jan. 19, 2010]. Available from Internet ,<URL: <http://www.gsmarena.com>>.*

Samsung C6620 telephone, announced Oct. 2008, [online], [site visited Jan. 19, 2010]. Available from Internet ,<URL: <http://www.gsmarena.com>>.*

i-mate Jama 201 telephone, announced Sep. 2007, [online], [site visited Jan. 19, 2010]. Available from Internet ,<URL: <http://www.gsmarena.com>>.*

Huawei U9150 telephone, announced Feb. 2009, [online], [site visited Jan. 19, 2010]. Available from Internet ,<URL: <http://www.gsmarena.com>>.*

Samsung i780 telephone, announced Sep. 2007, [online], [site visited Jan. 19, 2010]. Available from Internet ,<URL: <http://www.gsmarena.com>>.*

Motorola Q 11 telephone, announced Oct. 2008, [online], [site visited Jan. 19, 2010]. Available from Internet ,<URL: <http://www.gsmarena.com>>.*

* cited by examiner

FIG. 1

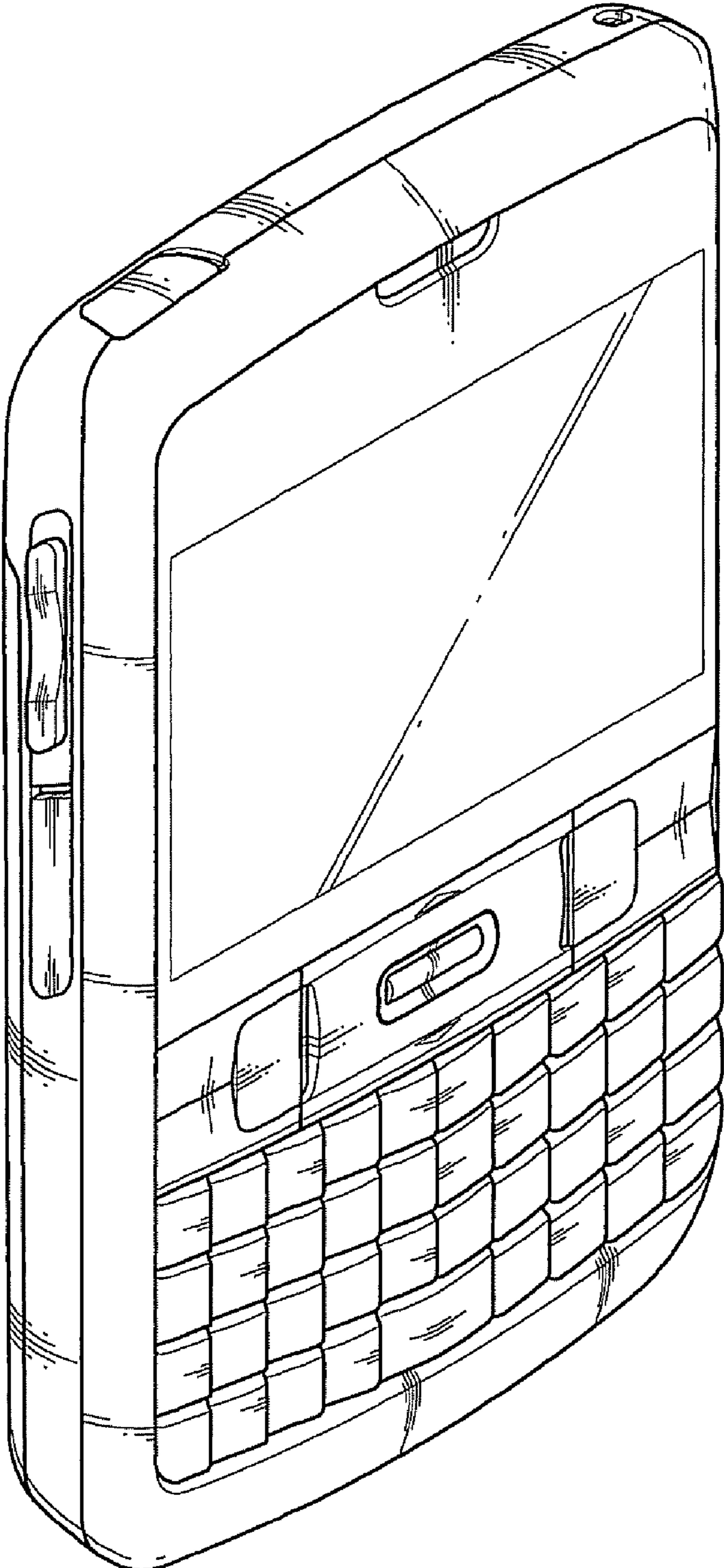


FIG. 2

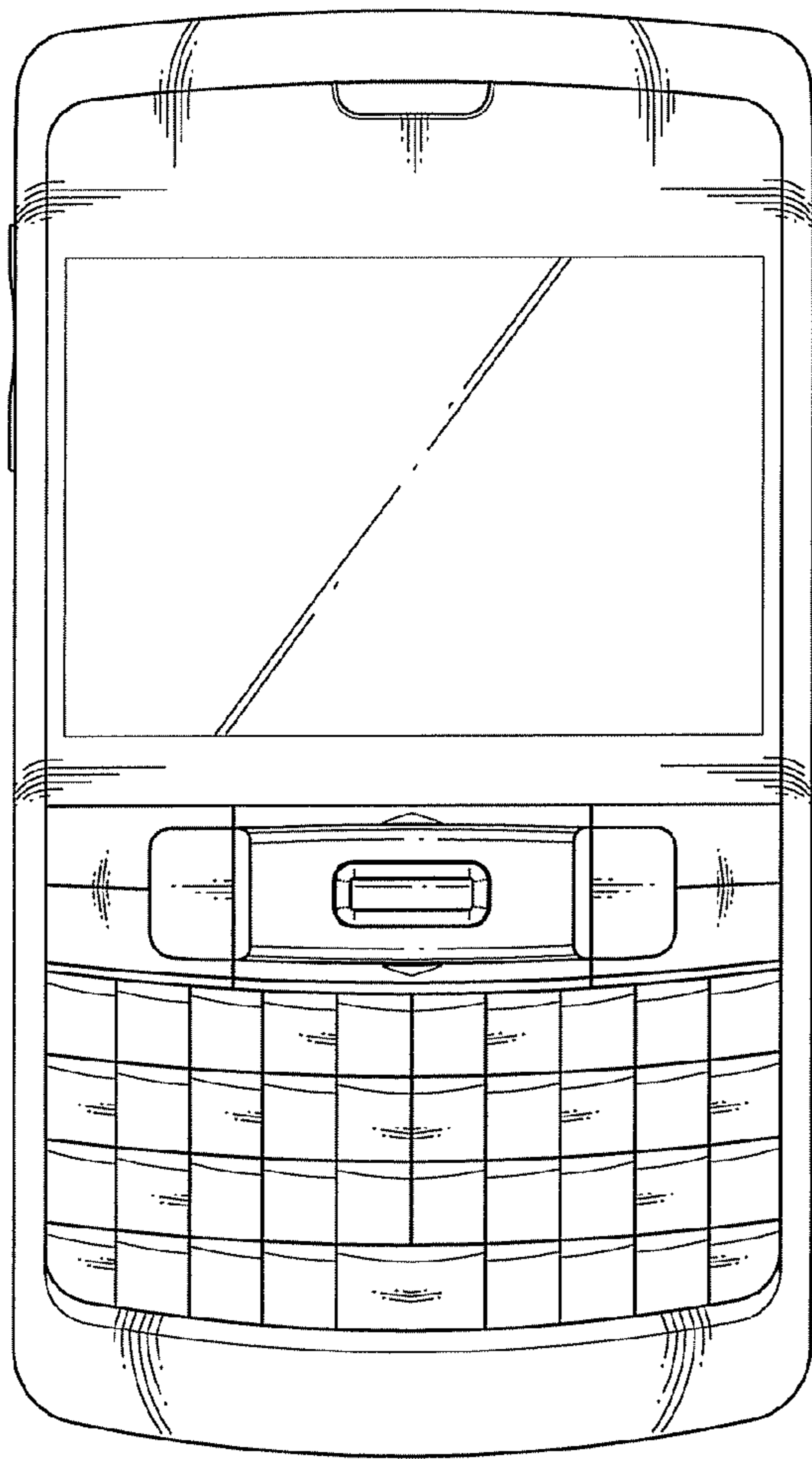


FIG. 3

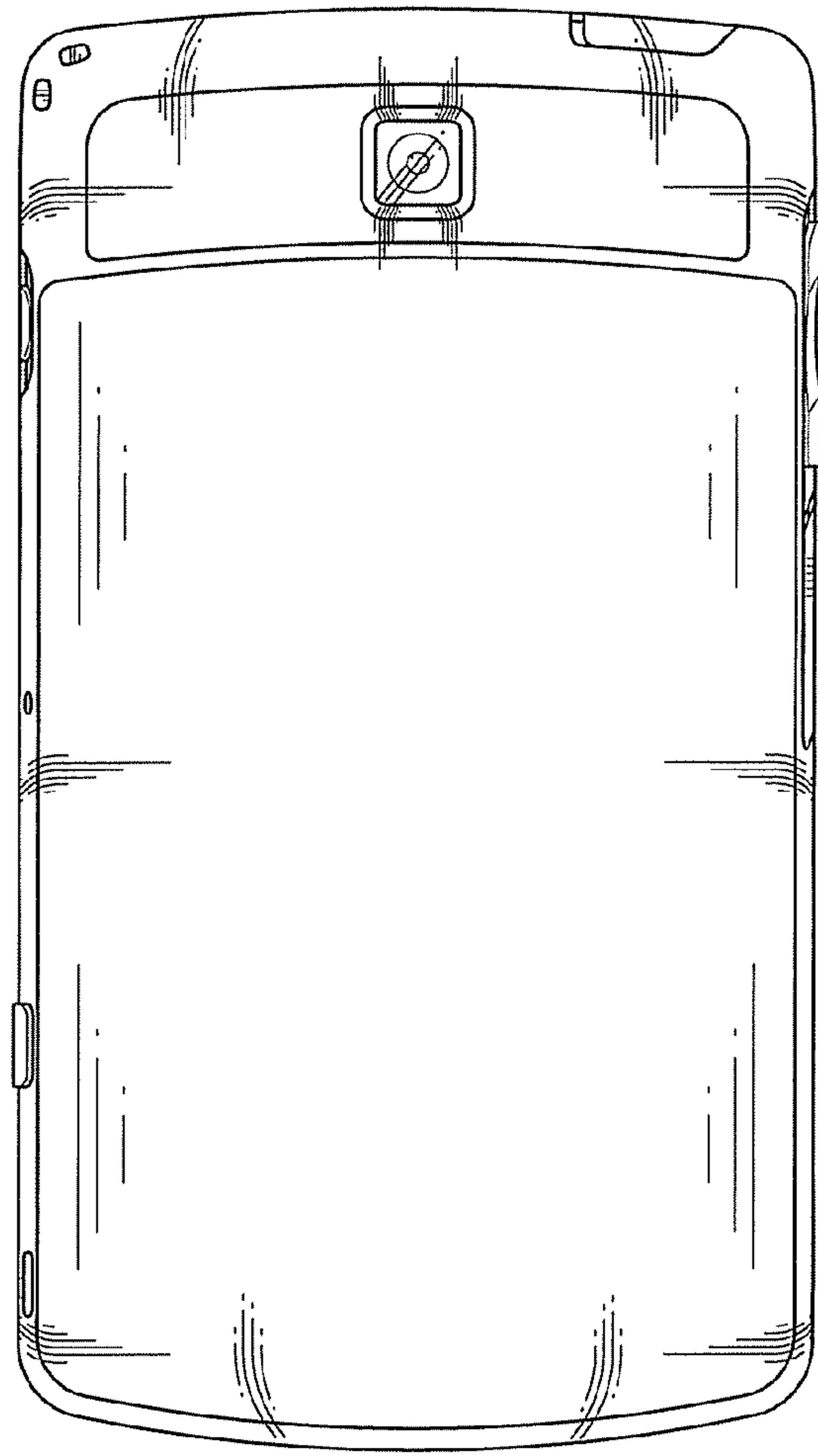


FIG. 4

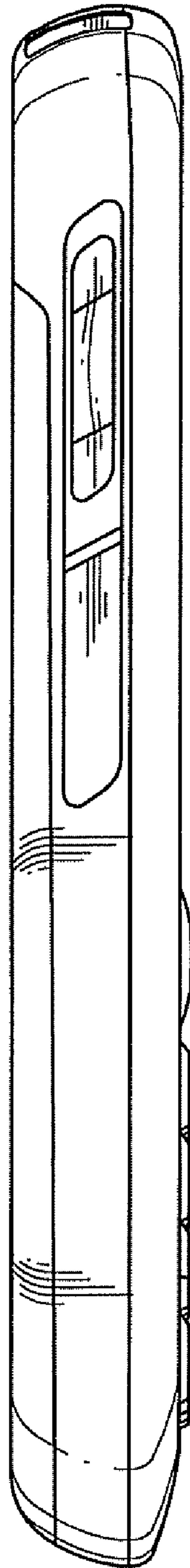


FIG. 5

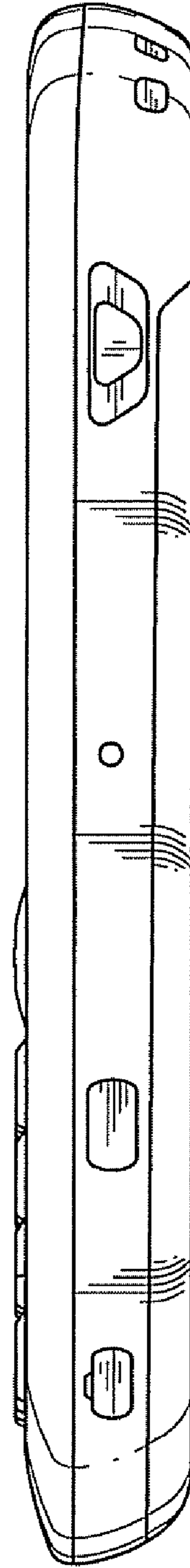


FIG. 6

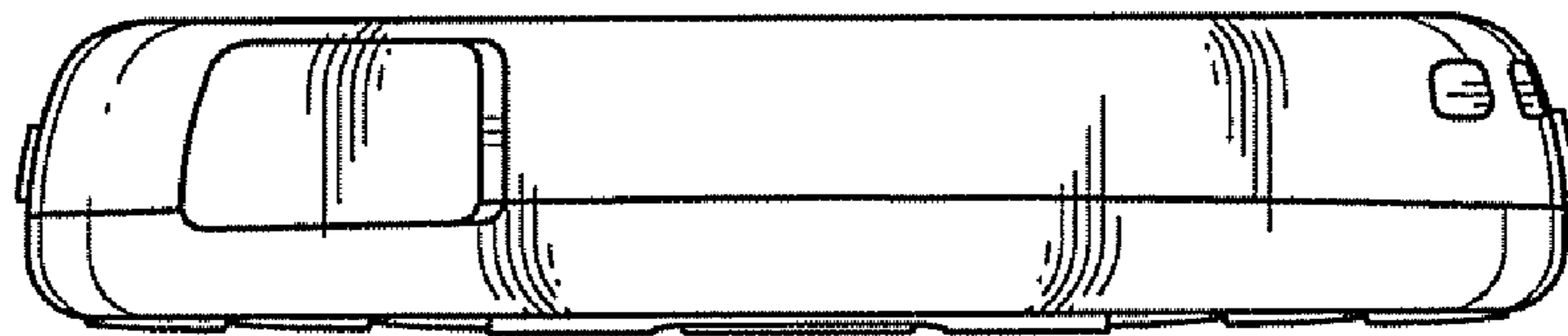


FIG. 7

