



US00D620465S

(12) **United States Design Patent**
Sohn et al.

(10) **Patent No.:** **US D620,465 S**
(45) **Date of Patent:** **** Jul. 27, 2010**

(54) **MOBILE PHONE**

(75) Inventors: **Soo-Min Sohn**, Seoul (KR); **Joon-Suh Kim**, Anyang-Si (KR); **Chang-Hwan Hwang**, Goyang-Si (KR)

(73) Assignee: **Samsung Electronics Co., Ltd.**, Suwon-Si (KR)

(**) Term: **14 Years**

(21) Appl. No.: **29/333,258**

(22) Filed: **Mar. 5, 2009**

(30) **Foreign Application Priority Data**

Dec. 19, 2008 (KR) 30-2008-0054829

(51) **LOC (9) Cl.** **14-03**

(52) **U.S. Cl.** **D14/138 AB**

(58) **Field of Classification Search** D14/138 AB,
D14/138 R, 138 AD, 345, 346, 147, 203.4,
D14/203.7, 203.2, 144; 455/575.3; 379/433.1,
379/433.11, 433.13; D21/517
See application file for complete search history.

(56) **References Cited**

U.S. PATENT DOCUMENTS

D455,414 S *	4/2002	Lee et al.	D14/138 AB
D456,792 S *	5/2002	Lee et al.	D14/138 AB
D465,466 S *	11/2002	Hyun	D14/138 AB
D481,696 S *	11/2003	Wei et al.	D14/138 AB
D486,811 S *	2/2004	Lheem	D14/138 AB
D489,697 S *	5/2004	Lee et al.	D14/138 AB
D500,993 S *	1/2005	Hwang	D14/138 AB
D506,739 S *	6/2005	Shin et al.	D14/138 AB
D510,078 S *	9/2005	Lee et al.	D14/138 AB
D519,098 S *	4/2006	Han et al.	D14/138 AB
D520,485 S *	5/2006	Cho	D14/138 AB
D522,483 S *	6/2006	Shin	D14/138 AB
D524,776 S *	7/2006	Chang	D14/138 AB
D526,982 S *	8/2006	Ahn	D14/138 AB

D535,634 S *	1/2007	Kim et al.	D14/138 AB
D536,318 S *	2/2007	Kim et al.	D14/138 AB
D536,688 S *	2/2007	Lheem	D14/138 AB
D538,248 S *	3/2007	Kim et al.	D14/138 AB
D549,678 S *	8/2007	Kim et al.	D14/138 AB
D568,851 S *	5/2008	Oh	D14/138 AB

(Continued)

OTHER PUBLICATIONS

Samsung T700 telephone, announced Jun. 2009, [online], [site visited Mar. 14, 2010]. Available from Internet ,<URL: <http://www.gsmarena.com>>.*

(Continued)

Primary Examiner—Jeffrey D Asch

(74) *Attorney, Agent, or Firm*—Staas & Halsey LLP

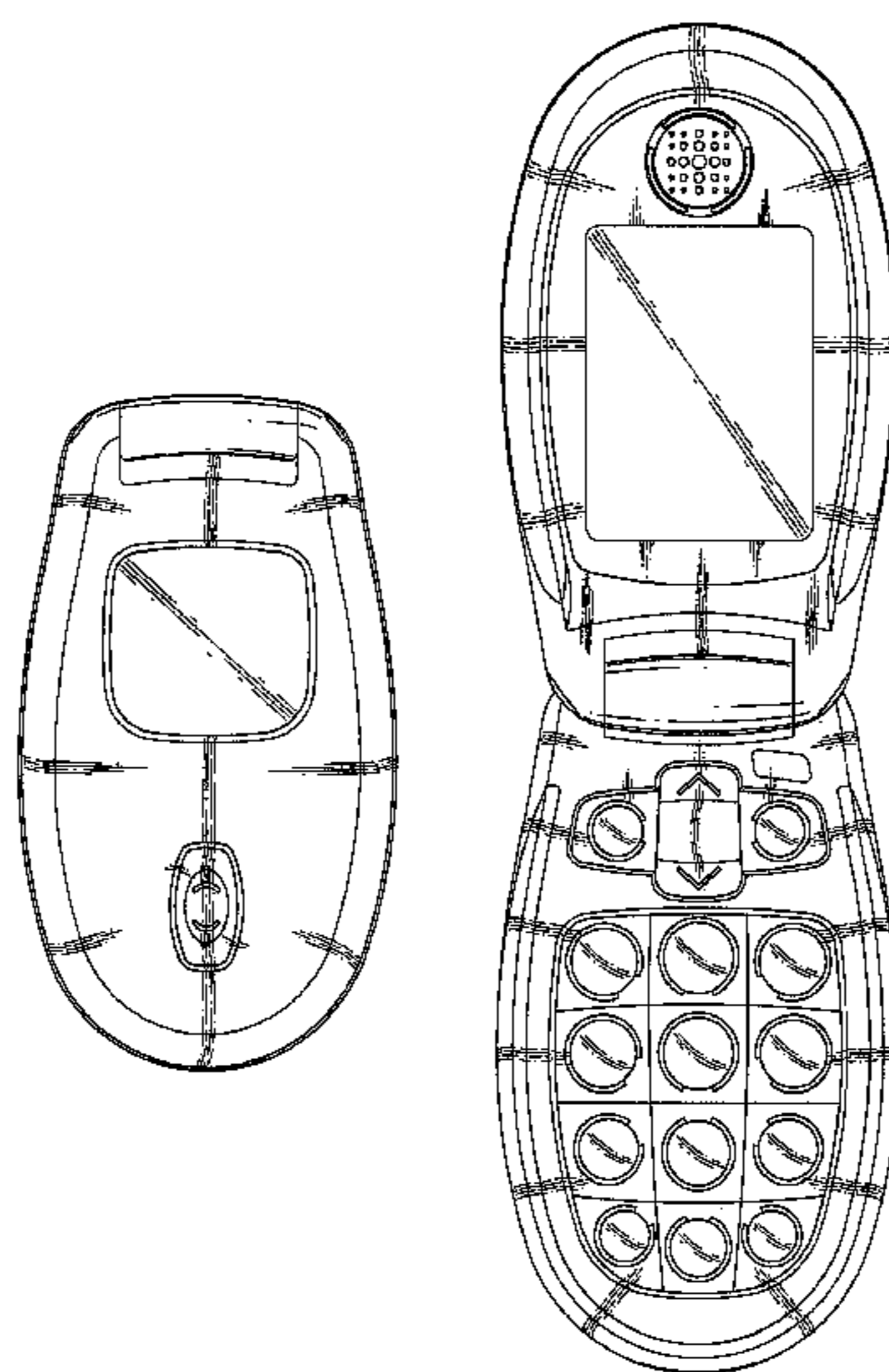
(57) **CLAIM**

The ornamental design for mobile phone, as shown and described.

DESCRIPTION

FIG. 1 is a front perspective view of a mobile phone;
FIG. 2 is a front view of the mobile phone of FIG. 1;
FIG. 3 is a rear view of the mobile phone of FIG. 1;
FIG. 4 is a left-side view of the mobile phone of FIG. 1;
FIG. 5 is a right-side view of the mobile phone of FIG. 1;
FIG. 6 is a top plan view of the mobile phone of FIG. 1;
FIG. 7 is a bottom plan view of the mobile phone of FIG. 1;
and,
FIG. 8 is a front open view of the mobile phone of FIG. 1.

1 Claim, 6 Drawing Sheets



U.S. PATENT DOCUMENTS

D568,856 S * 5/2008 Jung D14/138 AB
D569,360 S * 5/2008 Kim D14/138 AB
D569,362 S * 5/2008 Kim D14/138 AB
D585,415 S * 1/2009 Lim et al. 14/138 AB
2004/0142735 A1* 7/2004 Yi 455/575.3
2007/0142099 A1* 6/2007 Seo et al. 455/575.3

OTHER PUBLICATIONS

Amoi F620 telephone, announced 2nd quarter 2006, [online], [site visited Mar. 14, 2010]. Available from Internet ,<URL: <http://www.gsmarena.com>>.*

Bird SC24 telephone, announced 1st quarter 2004, [online], [site visited Mar. 14, 2010]. Available from Internet ,<URL: <http://www.gsmarena.com>>.*

LG U300 telephone, announced Jul. 2006, [online], [site visited Mar. 14, 2010]. Available from Internet ,<URL: <http://www.gsmarena.com>>.*

LG C2200 telephone, announced 3rd quarter 2004, [online], [site visited Mar. 14, 2010]. Available from Internet ,<URL: <http://www.gsmarena.com>>.*

LG L1100 telephone, announced 2nd quarter 2004, [online], [site visited Mar. 14, 2010]. Available from Internet ,<URL: <http://www.gsmarena.com>>.*

Motorola A760 telephone, announced 2003, [online], [site visited Mar. 14, 2010]. Available from Internet ,<URL: <http://www.gsmarena.com>>.*

* cited by examiner

FIG. 1

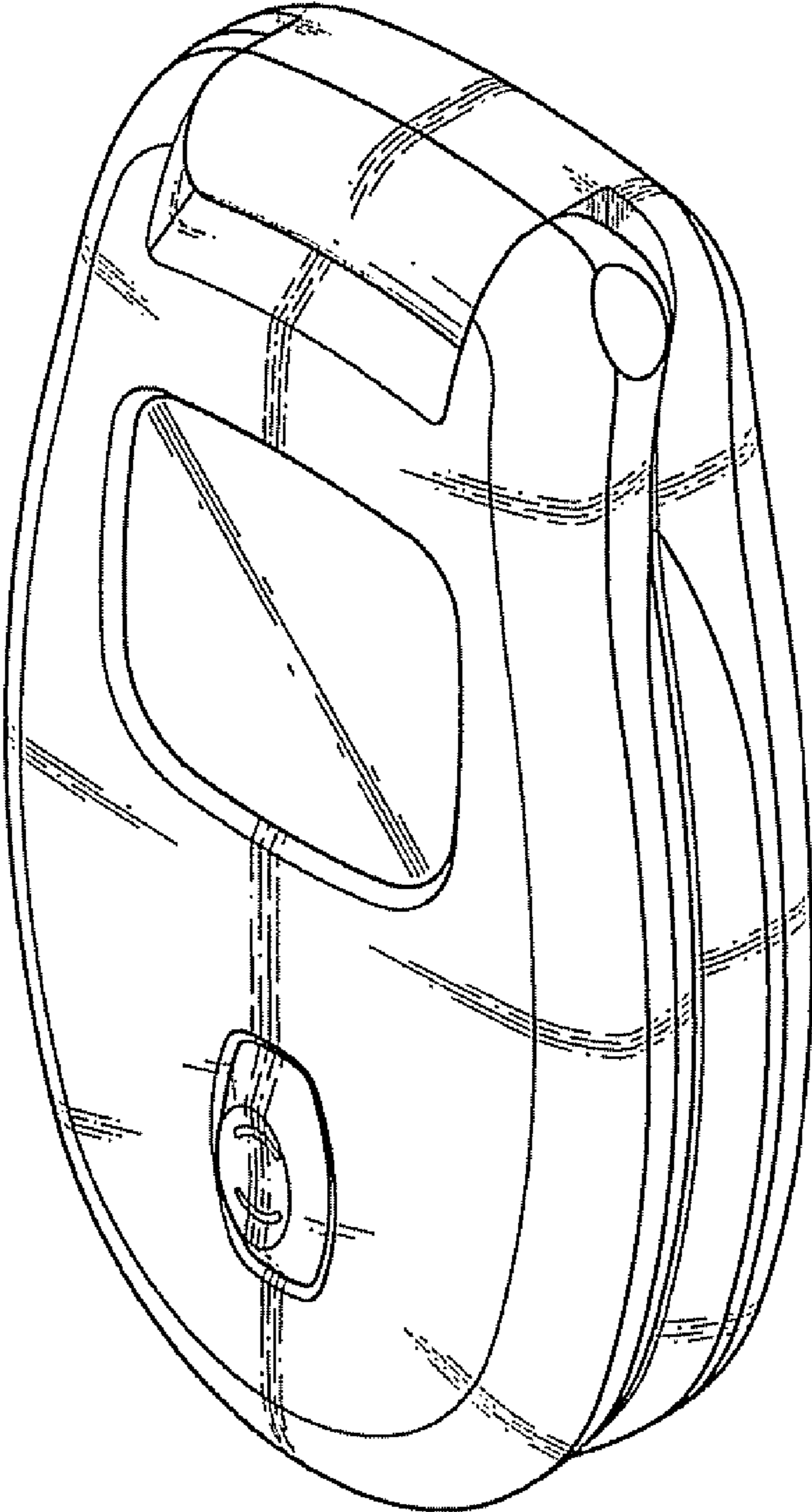


FIG. 2

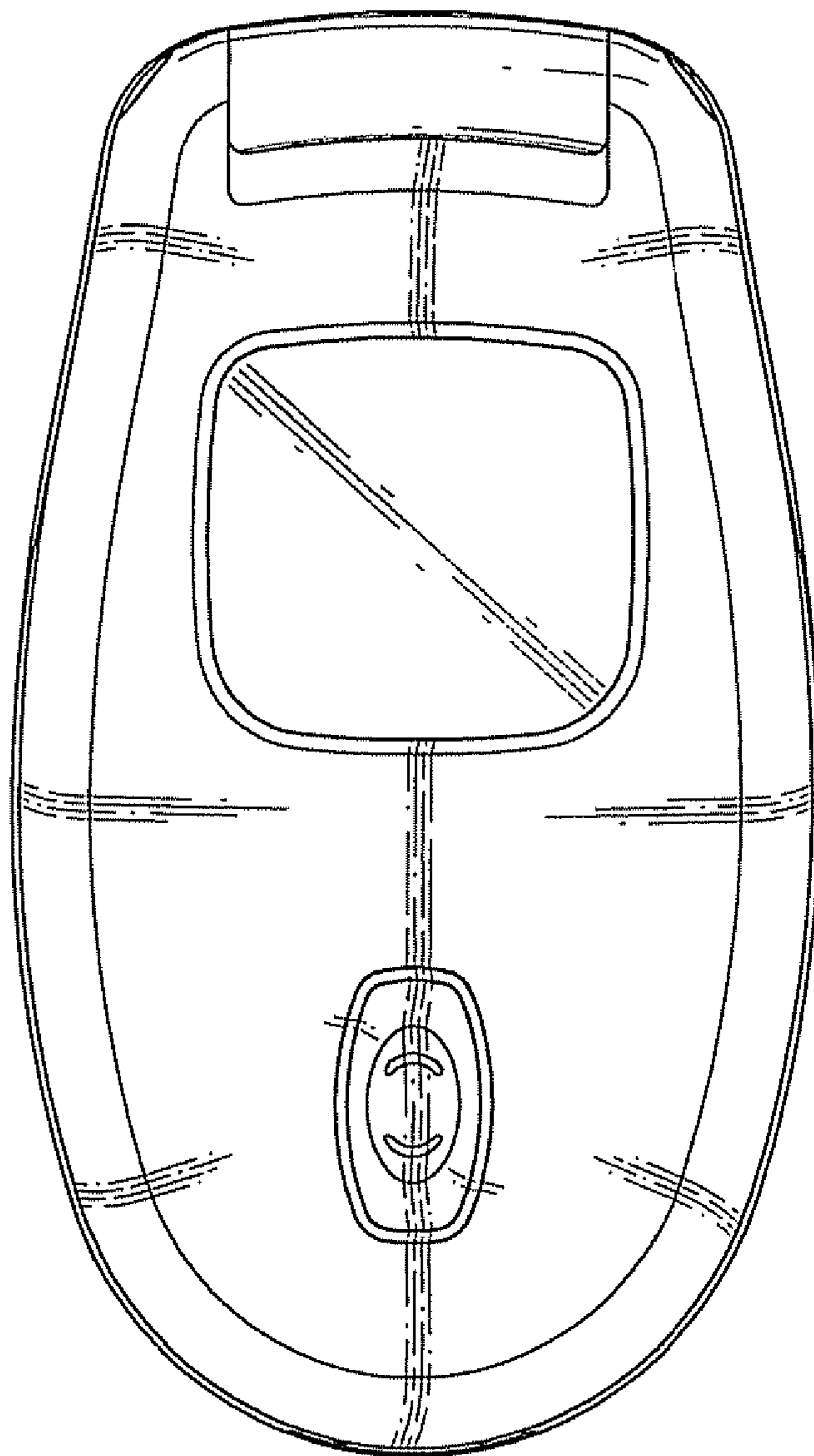


FIG. 3

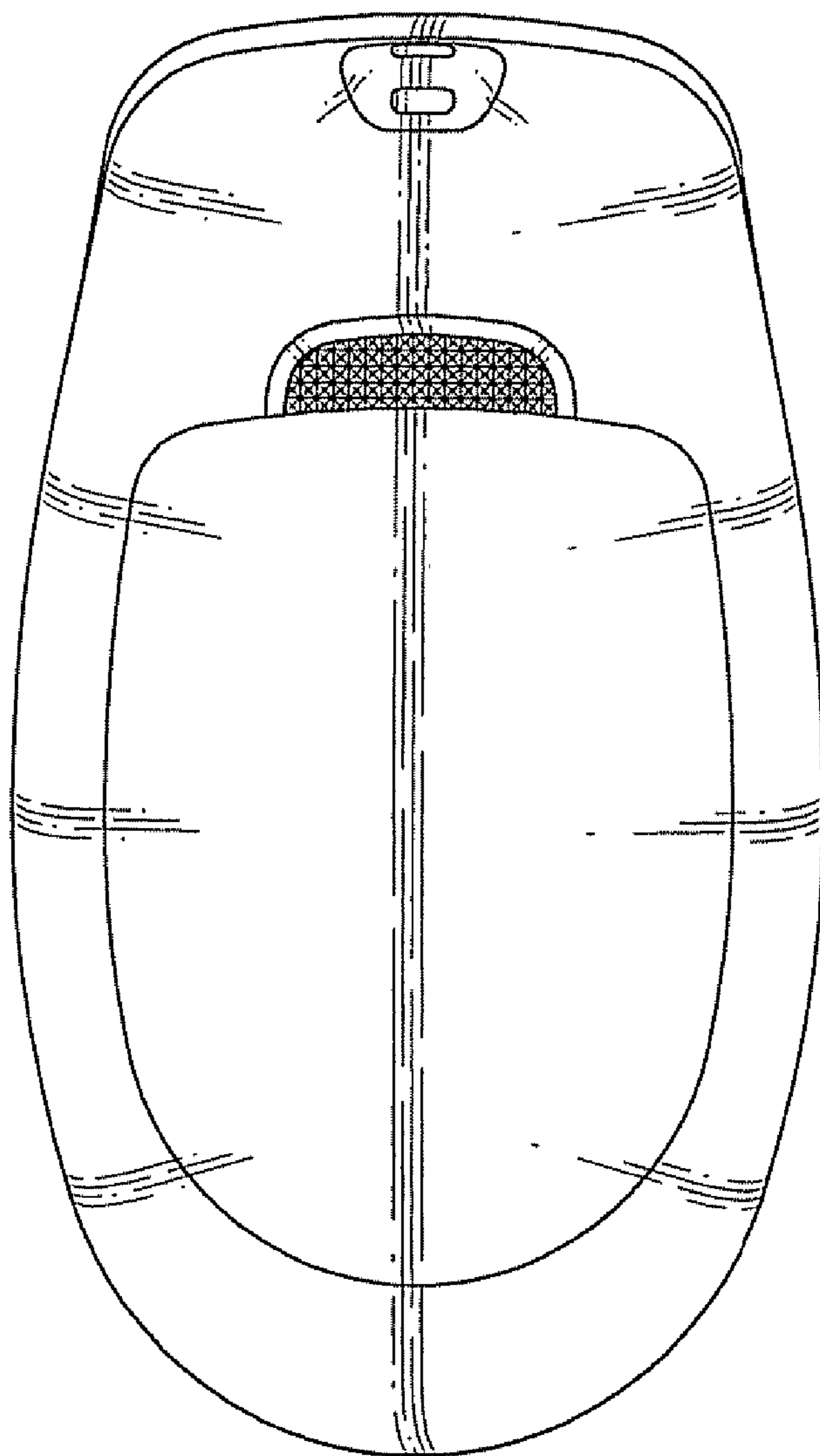


FIG. 4

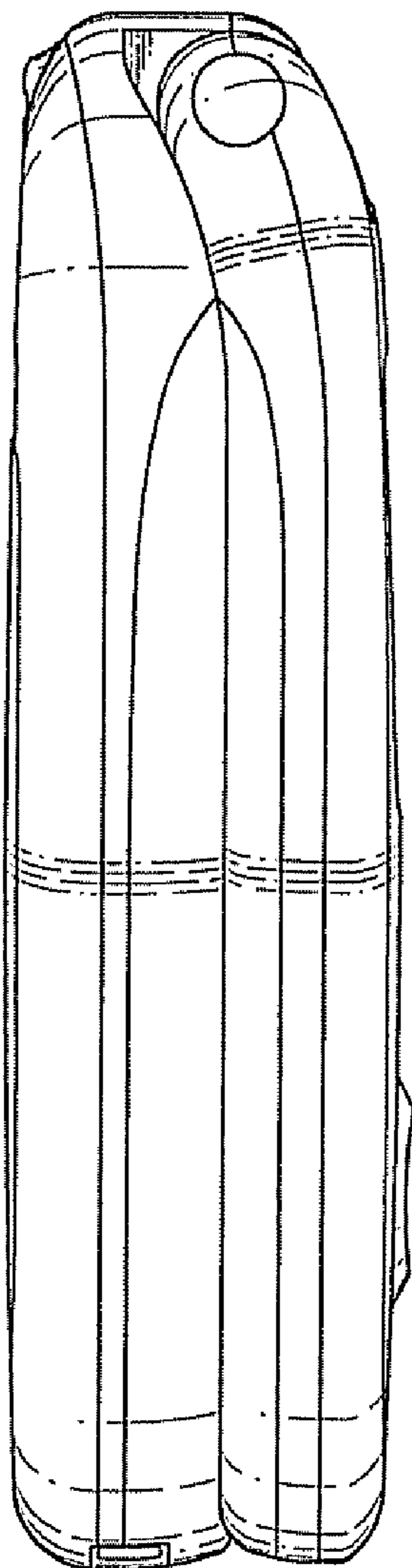


FIG. 5

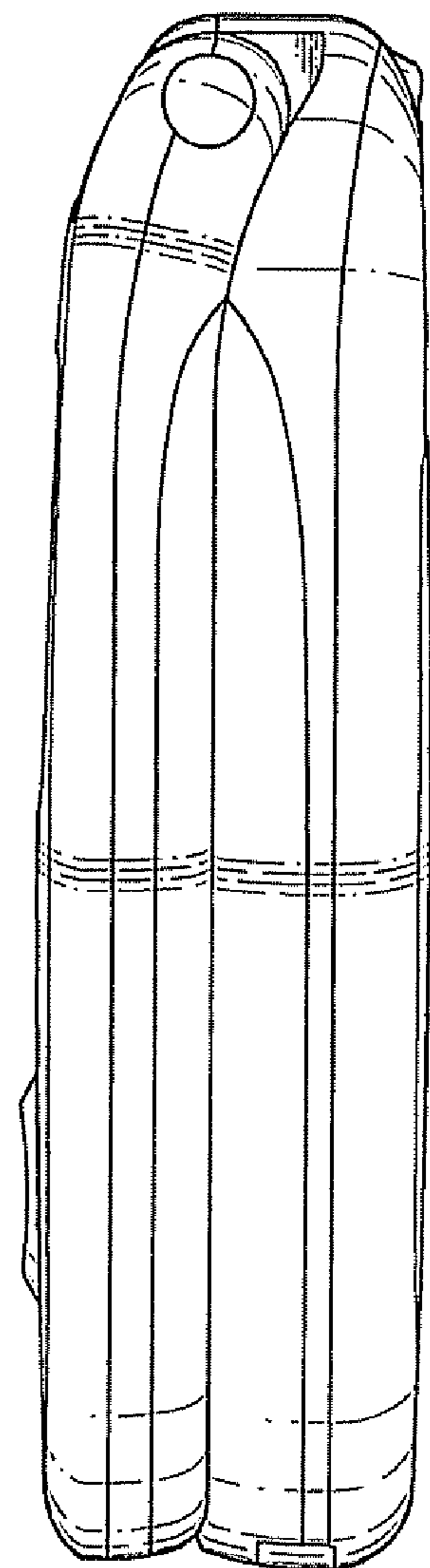


FIG. 6

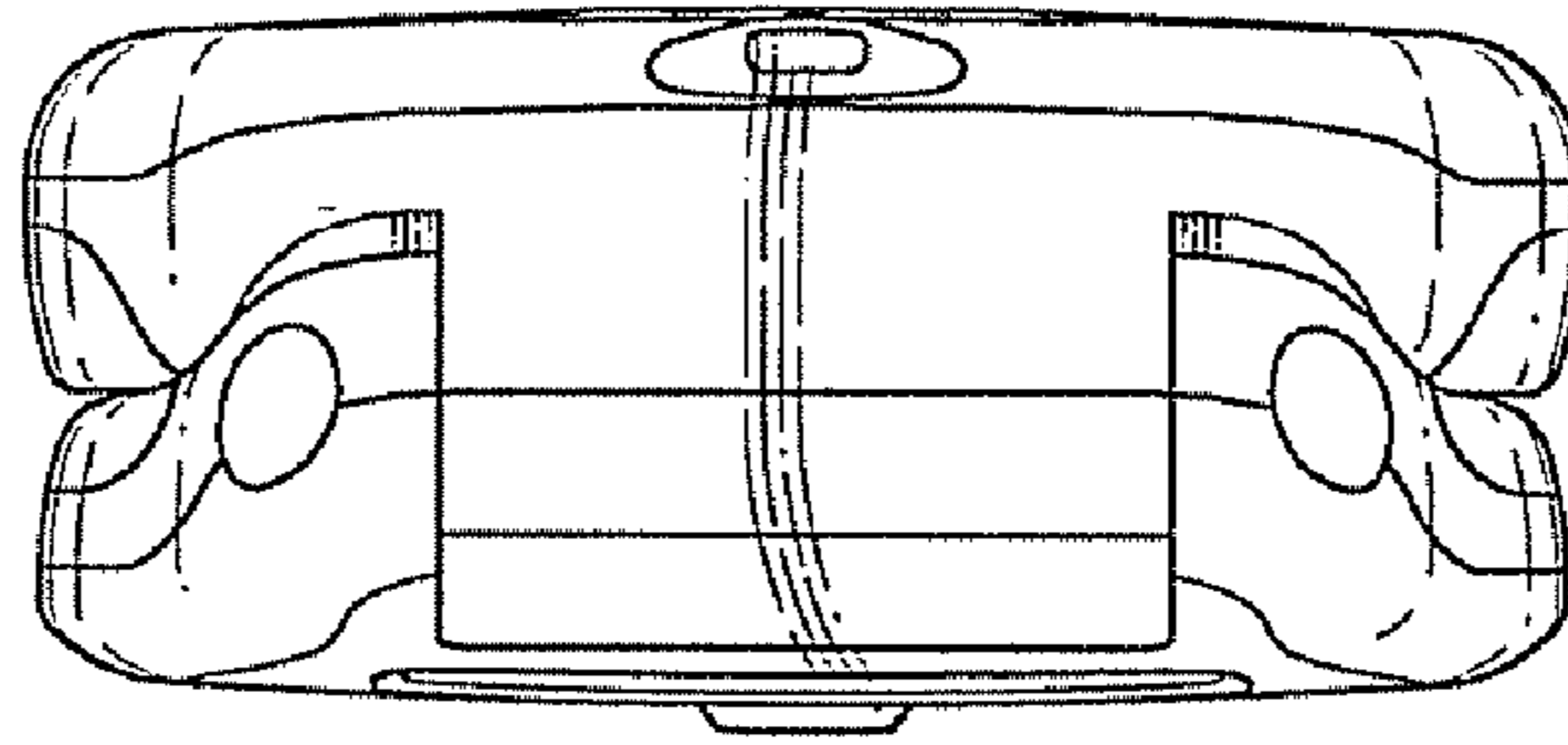


FIG. 7

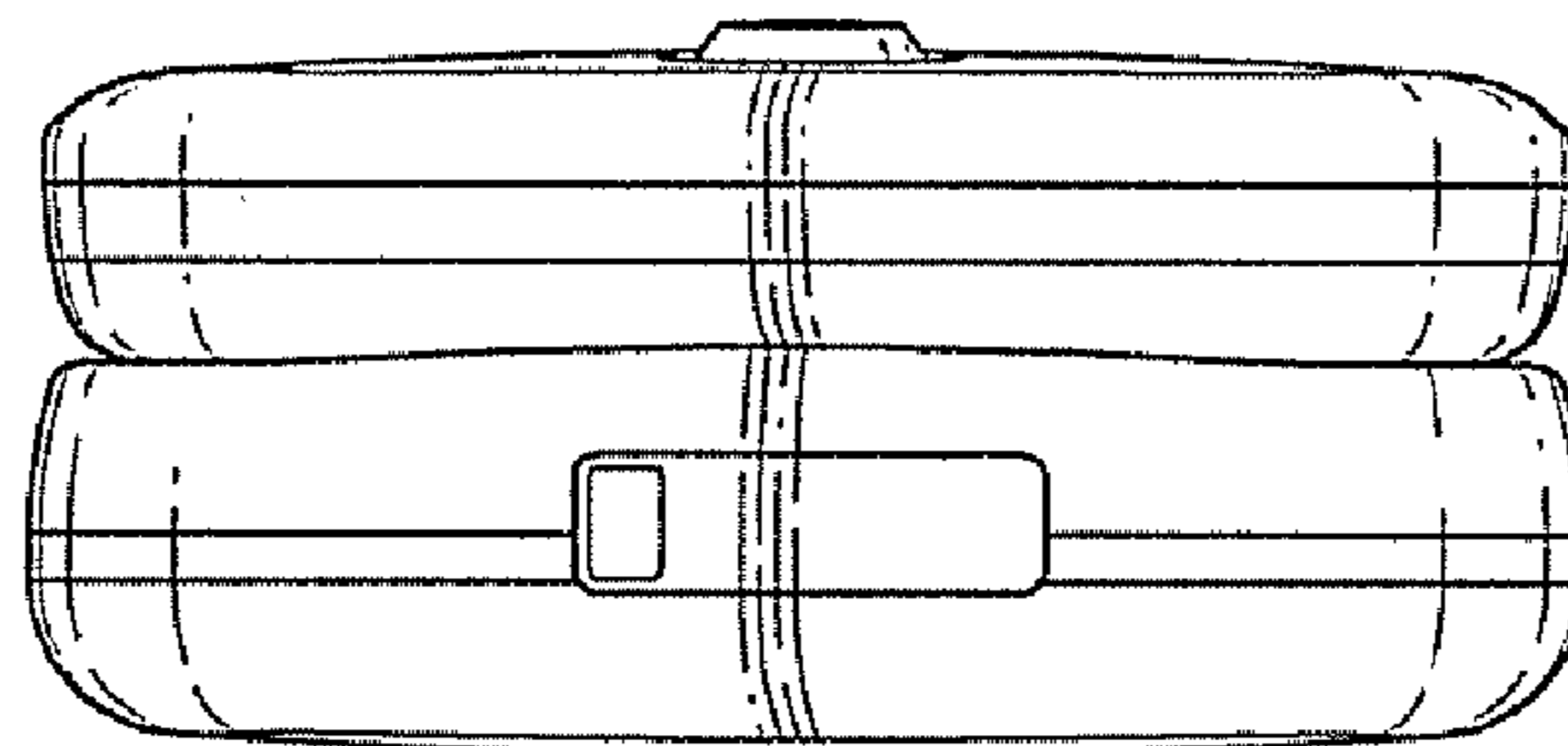


FIG. 8

